

## PIV NRS Gate Valve Mechanical Joint Ends



### Technical Features

- Connections: Mechanical Joint Ends (ANSI/AWWA C153/A21.53)
- Sizes: 3", 4", 6", 8", 10", 12"
- Approvals: UL, ULC, FM, NSF-61 & NSF-372, ANSI 61 & 372
- Maximum Working Pressure: 300PSI (Max. Test Pressure: 600PSI)
- Maximum Working Temperature: 180°F (82°C)
- Complies with AWWA C515
- Fusion Bonded Epoxy Coated Interior and Exterior to AWWA C550

Components	Material	Specification
Body	Ductile Iron	A536 65-45-12
Wedge	Ductile Iron, EPDM Encapsulated	
Wedge Nut	Bronze	B62 C83600
Stem	Stainless Steel	ANSI 420
Bonnet	Ductile Iron	A536 65-45-12
Gasket	Rubber	EPDM
Gland	Ductile Iron	A536 65-45-12
Thrust Collar	Bronze	B62 C83600
O-Ring	Rubber	EPDM
Post Flange	Ductile Iron	A536 65-45-12
Operating Nut	Ductile Iron	A536 65-45-12
NPT Plug	Malleable Iron	Commercial
Post Flange Bolt	Stainless Steel	AISI 316
Bonnet Bolt	Stainless Steel	AISI 304

### Dimensions

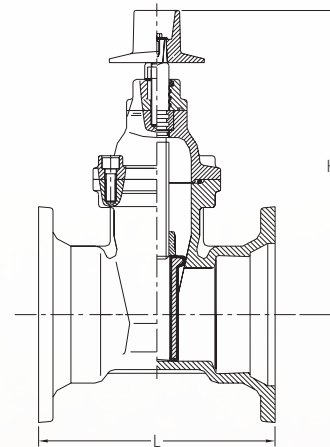
Size	L		H		D		Weight lbs
	in	mm	in	mm	in	mm	
3"	9.5	241.0	11.7	296.0			45.0
4"	10	254.0	13.8	350.0	12	305.0	70.5
6"	11.5	292.0	17.9	455.0	12	305.0	115.7
8"	12.5	318.0	21.5	545.0	12	305.0	176.4
10"	14.8	375.0	25.4	645.0	12	305.0	260.1
12"	14.9	378.0	28.7	730.0	12	305.0	385.8



\* FxM Available



Size 3"



Size 4" to 12"

