

## PIV NRS Gate Valve Grooved Ends

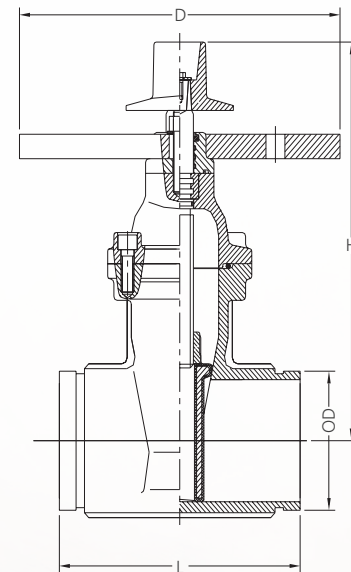


### Technical Features

- Connections: Grooved Ends (AWWA C606)
- Sizes: 2-1/2", 3", 4", 5", 6", 8", 10", 12"
- Approvals: UL, ULC, FM
- Maximum Working Pressure: 300PSI (Max. Test Pressure: 600PSI)
- Maximum Working Temperature: 180°F (82°C)
- Complies with AWWA C515
- Fusion Bonded Epoxy Coated Interior and Exterior to AWWA C550



Components	Material	Specification
Body	Ductile Iron	A536 65-45-12
Wedge	Ductile Iron, EPDM Encapsulated	
Wedge Nut	Bronze	B62 C83600
Stem	Stainless Steel	ANSI 420
Bonnet	Ductile Iron	A536 65-45-12
Gasket	Rubber	EPDM
Gland	Ductile Iron	A536 65-45-12
Thrust Collar	Bronze	B62 C83600
O-Ring	Rubber	EPDM
Post Flange	Ductile Iron	A536 65-45-12
Operating Nut	Ductile Iron	A536 65-45-12
NPT Plug	Malleable Iron	Commercial
Post Flange Bolt	Stainless Steel	AISI 316
Bonnet Bolt	Stainless Steel	AISI 304



### Dimensions

Size	OD		L		H		D		Weight lbs
	in	mm	in	mm	in	mm	in	mm	
2-1/2"	2.9	73.0	7.5	190.5	10.6	270.0	7.24	184.0	24.8
3"	3.5	88.9	8.0	203.0	11.7	296.0	10.0	254.0	29.9
4"	4.5	114.3	9.0	229.0	13.8	350.0	10.0	254.0	61.7
5"	5.6	141.3	10.0	254.0	16.1	410.0	12.0	305.0	80.4
6"	6.6	168.3	10.5	267.0	17.9	455.0	12.0	305.0	93.3
8"	8.6	219.1	11.5	292.0	21.5	545.0	12.0	305.0	144.0
10"	10.7	273.0	13.0	330.0	25.4	645.0	12.0	305.0	237.0
12"	12.8	323.9	14.0	356.0	28.7	730.0	12.0	305.0	329.1