

PIV NRS Gate Valve Flanged Ends



Technical Features

- Connections: Flanged Ends (ANSI B16.1 Class 125)
- Sizes: 2-1/2", 3", 4", 5", 6", 8", 10", 12", 14", 16", 18", 20", 24"
- Approvals: UL, ULC, FM, NSF-61 & NSF-372, ANSI 61 & 372
- Maximum Working Pressure: 300PSI (Max. Test Pressure: 600PSI) 14", 16", 18" (250PSI) 20", 24" (200PSI)
- Maximum Working Temperature: 180°F (82°C)
- Complies with AWWA C515
- Fusion Bonded Epoxy Coated Interior and Exterior to AWWA C550

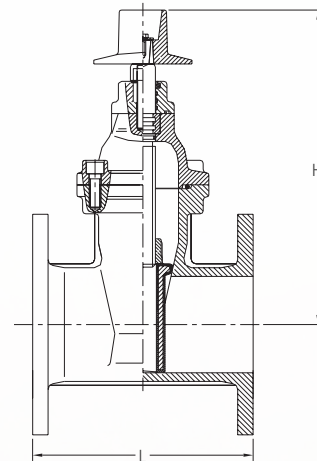
Components	Material	Specification
Body	Ductile Iron	A536 65-45-12
Wedge	Ductile Iron, EPDM Encapsulated	
Wedge Nut	Bronze	B62 C83600
Stem	Stainless Steel	ANSI 420
Bonnet	Ductile Iron	A536 65-45-12
Gasket	Rubber	EPDM
Gland	Ductile Iron	A536 65-45-12
Thrust Collar	Bronze	B62 C83600
O-Ring	Rubber	EPDM
Post Flange	Ductile Iron	A536 65-45-12
Operating Nut	Ductile Iron	A536 65-45-12
NPT Plug	Malleable Iron	Commercial
Post Flange Bolt	Stainless Steel	AISI 316
Bonnet Bolt	Stainless Steel	AISI 304

Dimensions

Size	L		H		D		Weight lbs
	in	mm	in	mm	in	mm	
2-1/2"	7.5	190.5	10.6	270.0			31.0
3"	8	203.0	11.7	296.0			41.0
4"	9	229.0	13.8	350.0	12	305.0	64.0
5"	10	254.0	16.1	410.0	12	305.0	79.0
6"	10.5	267.0	17.9	455.0	12	305.0	103.0
8"	11.5	292.0	21.5	545.0	12	305.0	161.0
10"	13	330.0	25.4	645.0	12	305.0	235.0
12"	14	356.0	28.7	730.0	12	305.0	339.0
14"	15	381.0	32.87	835.0	12	305.0	462.9
16"	16	406.0	35.83	910.0	12	305.0	930.3
18"	17	432.0	41.34	1050.0	12	305.0	1313.9
20"	18	457.0	44.09	1120.0	12	305.0	1565.2
24"	20	508.0	50.79	1290.0	12	305.0	1829.8



Size 2.5" & 3"



Size 4" to 12"

