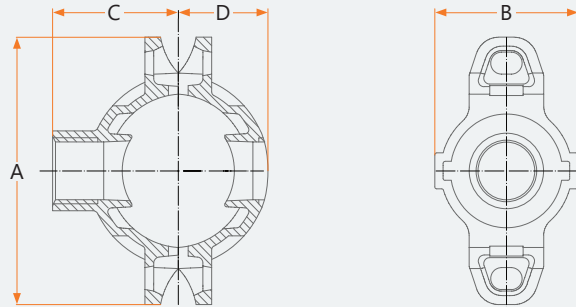


ALTMT Mechanical Tee Threaded Outlet

- Model | ATMTT
- Size | 2" x 1" thru 8" x 3"
- Approvals | UL, ULC, FM
- Working Pressure | 300 PSI / 2.07 Mpa
- Housing | Ductile Iron ASTM A536 Gr. 65-45-12

- Gasket | EPDM - ANSI / NSF 71
- Bolt / Nut | Carbon Steel heat treated & zinc electroplated, ASTM A183 Gr. 2; Hex Nuts ASTM A563, Gr. B
- Paint Color | Orange Enamel, Optional : Red



Mechanical Tee Threaded Outlet

Nominal Size	Pipe OD.	Hole Dia.	Dimensions				Bolt Size
			A	B	C	D	
in	in	in	in	in	in	in	in
mm	mm	mm	mm	mm	mm	mm	mm
2x1	2.375x1.315	1.5	4.64	2.91	2.36	1.57	3/8x55
50x25	60.3x33.7	38	118	74	60	40	M10x55
2x1 1/4	2.375x1.660	2.01	4.64	2.91	2.36	1.57	3/8x55
50x32	60.3x42.4	51	118	74	60	40	M10x55
2x1 1/2	2.375x1.900	2.01	4.64	2.91	2.36	1.57	3/8x55
50x40	60.3x48.3	51	118	74	60	40	M10x55
2 1/2x1	2.875x1.315	1.5	5.2	2.91	2.52	1.85	1/2x70
65x25	73.0x33.7	38	132	74	64	47	M12x70
2 1/2x1 1/4	2.875x1.660	2.01	5.2	2.91	2.52	1.85	1/2x70
65x32	73.0x42.4	51	132	74	64	47	M12x70
2 1/2x2 1/2	2.875x1.900	2.01	5.2	3.15	2.52	1.85	1/2x70
65x40	73.0x48.3	51	132	80	64	47	M12x70
2 1/2x3	3.000x1.315	1.5	5.67	2.91	2.52	1.93	1/2x70
65x25	76.1x33.7	38	144	74	64	49	M12x70
2 1/2x1 1/2	3.000x1.660	2.01	5.67	2.91	2.52	1.93	1/2x70
65x32	76.1x42.4	51	144	74	64	49	M12x70
2 1/2x2 1/2	3.000x1.900	2.01	5.67	3.15	2.52	1.93	1/2x70
65x40	76.1x48.3	51	144	80	64	49	M12x70
3x1 1/2	3.500x0.825	1.18	5.75	2.91	2.76	2.17	1/2x70
80x15	88.9x21.3	30	146	74	70	55	M12x70
3x3/4	3.500x1.050	1.18	5.75	2.91	2.76	2.17	1/2x70
80x20	88.9x26.9	30	146	74	70	55	M12x70
3x1	3.500x1.315	1.5	5.75	2.91	2.76	2.17	1/2x70
80x25	88.9x33.7	38	146	74	70	55	M12x70
3x1 1/4	3.500x1.660	2.01	5.75	3.39	2.87	2.17	1/2x70
80x32	88.9x42.4	51	146	86	73	55	M12x70
3x1 1/2	3.500x1.900	2.01	5.75	3.39	3.03	2.17	1/2x70
80x40	88.9x48.3	51	146	86	77	55	M12x70
3x2	3.500x2.375	2.52	5.75	3.78	3.15	2.17	1/2x70
80x50	88.9x60.3	64	146	96	80	55	M12x70
4x1	4.250x1.315	1.5	6.77	2.83	2.99	2.52	1/2x75
100x25	108.0x33.7	38	172	72	76	64	M12x75
4x1 1/4	4.250x1.660	2.01	6.77	3.23	2.99	2.52	1/2x75
100x32	108.0x42.4	51	172	82	76	64	M12x75
4x1 1/2	4.250x1.900	2.01	6.77	3.31	2.99	2.52	1/2x75
100x40	108.0x48.3	51	172	84	76	64	M12x75
4x2	4.250x2.375	2.52	6.77	3.74	3.07	2.52	1/2x75
100x50	108.0x60.3	64	172	95	78	64	M12x75

Nominal Size	Pipe OD.	Hole Dia.	Dimensions				Bolt Size
			A	B	C	D	
in	in	in	in	in	in	in	
mm	mm	mm	mm	mm	mm	mm	
4x1	4.500x1.315	1.5	7.01	2.91	3.39	2.72	1/2x75
100x25	114.3x33.7	38	178	74	86	69	M12x75
4x1 1/4	4.500x1.660	2.01	7.01	3.39	3.43	2.72	1/2x75
100x32	114.3x42.4	51	178	86	87	69	M12x75
4x1 1/2	4.500x1.900	2.01	7.01	3.39	3.51	2.72	1/2x75
100x40	114.3x48.3	51	178	86	89	69	M12x75
4x2	4.500x2.375	2.52	7.01	3.94	3.7	2.72	1/2x75
100x50	114.3x60.3	64	178	100	94	69	M12x75
4x2 1/2	4.500x3.000	2.76	7.01	4.17	3.94	2.72	1/2x75
100x65	114.3x76.1	70	178	106	100	69	M12x75
4x3	4.500x3.500	3.5	7.01	4.88	3.9	2.72	1/2x75
100x80	114.3x88.9	89	178	124	99	69	M12x75
5x1	5.250x1.315	1.5	7.87	2.83	3.48	3.03	3/8x85
125x25	133.0x33.7	38	200	72	88.5	77	M16x85
5x1 1/4	5.250x1.660	2.01	7.87	3.23	3.48	3.03	3/8x85
125x32	133.0x42.4	51	200	82	88.5	77	M16x85
5x1 1/2	5.250x1.900	2.01	7.87	3.74	3.48	3.03	3/8x85
125x40	133.0x48.3	51	200	82	88.5	77	M16x85
5x2	5.250x2.375	2.52	7.87	2.91	3.52	3.03	3/8x85
125x50	133.0x60.3	89	200	95	89.5	77	M16x85
5x1	5.500x1.315	1.5	8.39	3.39	3.86	3.19	3/8x85
125x25	139.7x33.7	38	213	74	98	81	M16x85
5x1 1/4	5.500x1.660	2.01	8.39	3.39	3.9	3.19	3/8x85
125x32	139.7x42.4	51	213	86	99	81	M16x85
5x1 1/2	5.500x1.900	2.01	8.39	2.91	4.37	3.19	3/8x85
125x40	139.7x48.3	51	213	86	111	81	M16x85
5x2	5.500x2.375	2.52	8.39	2.91	4.17	3.19	3/8x85
125x50	139.7x60.3	64	213	100	106	81	M16x85
5x2 1/2	5.500x3.000	2.76	8.39	4.25	4.33	3.19	3/8x85
125x60	139.7x76.1	70	213	108	110	81	M16x85
5x3	5.500x3.500	3.5	8.39	4.96	4.33	3.19	3/8x85
125x80	139.7x88.9	89	213	126	110	81	M16x85
5x1	5.563x1.315	1.5	8.39	2.91	3.86	3.19	3/8x85
125x25	139.7x33.7	38	213	74	98	81	M16x85
5x1 1/4	5.563x1.660	2.01	8.39	3.39	3.9	3.19	3/8x85
125x32	141.3x42.4	51	213	86	99	81	M16x85
5x1 1/2	5.563x1.900	2.01	8.39	3.39	4.37	3.19	3/8x85
125x40	141.3x48.3	51	213	86	111	81	M16x85

Nominal Size	Pipe OD.	Hole Dia.	Dimensions				Bolt Size
			A	B	C	D	
in	in	in	in	in	in	in	
mm	mm	mm	mm	mm	mm	mm	
5x2	5.563x2.375	2.52	8.39	2.91	4.17	81	3/8x85
125x50	141.3x60.3	64	213	100	106	106	M16x85
5x2 1/2	5.563x3.000	2.76	8.39	4.25	4.33	3.19	3/8x85
125x65	141.3x76.1	70	213	108	110	81	M16x85
6x1	6.500x1.315	1.5	9.41	2.91	4.41	3.74	3/8x105
150x25	165.1x33.7	38	239	74	112	95	M16x105
6x1 1/4	6.500x1.660	2.01	9.41	3.39	4.45	3.74	3/8x105
150x32	165.1x42.4	51	239	86	113	95	M16x105
6x1 1/2	6.500x1.900	2.01	9.41	3.39	4.53	3.74	3/8x105
150x40	165.1x48.3	51	239	86	115	95	M16x105
6x2	6.500x2.375	2.52	9.41	3.94	4.72	3.74	3/8x105
150x50	165.1x60.3	64	239	100	120	95	M16x105
6x2 1/2	6.500x3.000	2.76	9.41	4.25	4.88	3.74	3/8x105
150x65	165.1x76.1	70	239	108	124	95	M16x105
6x3	6.500x3.500	3.5	9.41	4.96	4.84	3.74	3/8x105
150x80	165.1x88.9	89	239	126	123	95	M16x105
6x1	6.625x1.315	1.5	9.41	2.91	4.41	3.74	3/8x105
150x25	168.3x33.7	38	239	74	112	95	M16x105
6x1 1/4	6.625x1.660	2.01	9.41	3.39	4.45	3.74	3/8x105
150x32	168.3x42.4	51	239	86	113	95	M16x105
6x1 1/2	6.625x1.900	2.01	9.41	3.39	4.53	3.74	3/8x105
150x40	168.3x48.3	51	239	86	115	95	M16x105
6x2	6.625x2.375	2.52	9.41	3.94	4.72	3.74	3/8x105
150x50	168.3x60.3	64	239	100	120	95	M16x105
6x2 1/2	6.625x3.000	2.76	9.41	4.25	4.88	3.74	3/8x105
150x65	168.3x76.1	70	239	108	124	95	M16x105
6x3	6.625x3.500	3.5	9.41	4.96	4.84	3.74	3/8x105
150x80	168.3x88.9	89	239	126	123	95	M16x105
8x1	8.625x1.315	1.5	12.21	2.87	5.35	4.53	3/4x115
200x25	219.1x33.7	38	310	73	135.5	115	M20x115
8x1 1/4	8.625x1.660	2.01	12.21	3.23	5.35	4.53	3/4x115
200x32	219.1x42.4	51	310	82	135.5	115	M20x115
8x1 1/2	8.625x1.900	2.01	12.21	3.39	5.35	4.53	3/4x115
200x40	219.1x48.3	51	310	86	135.5	115	M20x115
8x2	8.625x2.375	2.52	12.21	3.82	5.43	4.53	3/4x115
200x50	219.1x60.3	64	310	97	138	115	M20x115
8x2 1/2	8.625x3.000	2.76	12.21	4.53	5.43	4.53	3/4x115
200x65	219.1x76.1	70	310	115	138	115	M20x115
8x3	8.625x3.500	3.5	12.21	5	5.51	4.53	3/4x115
200x80	219.1x88.9	89	310	127	140	115	M20x115