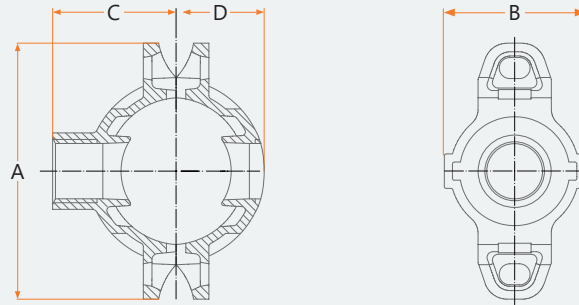


ALGMT Mechanical Tee Grooved Outlet

- Model | ALMTG
- Size | 2" x 1 1/4" thru 8" x 3"
- Approvals | UL, ULC, FM
- Working Pressure | 300 PSI / 2.07 Mpa
- Housing | Ductile Iron ASTM A536 Gr. 65-45-12

- Gasket | EPDM - ANSI / NSF 61
- Bolt / Nut | Carbon Steel heat treated & zinc electroplated, ASTM A183 Gr. 2; Hex Nuts ASTM A563, Gr. B
- Paint Color | Orange Enamel, Optional : Red



Mechanical Tee Grooved Outlet

Nominal Size	Pipe OD.	Hole Dia.	Dimensions				Bolt Size
			A	B	C	D	
in	in	in	in	in	in	in	in
mm	mm	mm	mm	mm	mm	mm	mm
2x1¼	2.375x1.660	1.77	4.57	2.72	2.68	1.57	¾x55
50x32	60.3x42.4	45	116	69	68	40	M10x55
2x1½	2.375x1.900	1.77	4.57	2.72	2.7	1.57	¾x55
50x40	60.3x48.3	45	116	69	68.5	40	M10x55
2½x1	3.000x1.315	1.5	5.67	2.72	2.99	1.93	½x70
65x25	76.1x33.7	38	144	69	76	49	M12x70
2½x1¼	3.000x1.660	2.01	5.67	2.72	2.99	1.93	½x70
65x32	76.1x42.4	51	144	69	76	49	M12x70
2½x1½	3.000x1.900	2.01	5.67	3.15	2.99	1.93	½x70
65x40	76.1x48.3	51	144	80	76	49	M12x70
3x1¼	3.500x1.660	2.01	5.75	3.39	3.35	2.17	½x70
80x32	88.9x42.4	51	146	86	85	55	M12x70
3x1½	3.500x1.900	2.01	5.75	3.39	3.35	2.17	½x70
80x40	88.9x48.3	51	146	86	85	55	M12x70
3x2	3.500x2.375	2.52	5.75	3.78	3.35	2.17	½x70
80x50	88.9x60.3	64	146	96	85	55	M12x70
4x1¼	4.500x1.660	2.01	7.01	3.23	3.78	2.72	½x75
100x32	114.3x42.4	51	178	82	96	69	M12x75
4x1½	4.500x1.900	2.01	7.01	3.23	3.78	2.72	½x75
100x40	114.3x48.3	51	178	82	96	69	M12x75
4x2	4.500x2.375	2.52	7.01	3.74	3.82	2.72	½x75
100x50	114.3x60.3	64	178	95	97	69	M12x75
4x2½	4.500x2.875	2.76	7.01	4.45	3.82	2.72	½x75
100x65	114.3x73.0	70	178	113	97	69	M12x75
4x2	4.500x3.000	2.76	7.01	4.45	3.82	2.72	½x75
100x65	114.3x76.1	70	178	113	97	69	M12x75
4x2½	5.500x1.660	2.01	8.03	3.23	4.33	3.19	¾x85
125x32	139.7x42.4	51	204	82	110	81	M16x85
4x2½	5.500x1.900	2.01	8.03	3.23	4.33	3.19	¾x85
125x40	139.7x48.3	51	204	82	110	81	M16x85
5x1½	5.500x2.375	2.52	8.03	3.74	4.33	3.19	¾x85
125x50	139.7x60.3	64	204	95	110	81	M16x85
5x2½	5.500x2.875	2.76	8.03	4.45	4.33	3.19	¾x85
125x65	139.7x73.0	70	204	113	110	81	M16x85
5x2½	5.500x3.000	2.76	8.03	4.45	4.33	3.19	¾x85
125x65	139.7x76.1	70	204	113	110	81	M16x85

Nominal Size	Pipe OD.	Hole Dia.	Dimensions				Bolt Size
			A	B	C	D	
in	in	in	in	in	in	in	in
mm	mm	mm	mm	mm	mm	mm	mm
5x1¼	5.563x1.660	2.01	8.03	3.23	4.33	3.19	¾x85
125x32	141.3x42.4	51	204	82	110	81	M16x85
5x1½	5.563x1.900	2.01	8.03	3.23	4.33	3.19	¾x85
125x40	141.3x48.3	51	204	82	110	81	M16x85
5x2	5.563x2.375	2.52	8.03	3.74	4.33	3.19	¾x85
125x50	141.3x60.3	64	204	95	110	81	M16x85
5x2½	5.563x2.875	2.76	8.03	4.45	4.33	3.19	¾x85
125x65	141.3x73.0	70	204	113	110	81	M16x85
5x2½	5.563x3.000	2.76	8.03	4.45	4.33	3.19	¾x85
125x65	141.3x76.1	70	204	113	110	81	M16x85
6x1¼	6.500x1.660	2.01	9.37	3.23	4.76	3.74	¾x105
150x32	165.1x42.4	51	238	82	121	95	M16x105
6x1½	6.500x1.900	2.01	9.37	3.23	4.76	3.74	¾x105
150x40	165.1x48.3	51	238	82	121	95	M16x105
6x2	6.500x2.375	2.52	9.37	3.74	4.8	3.74	¾x105
150x50	165.1x60.3	64	238	95	122	95	M16x105
6x2½	6.500x2.875	2.76	9.37	4.45	4.8	3.74	¾x105
150x65	165.1x73.0	70	238	113	122	95	M16x105
6x2½	6.500x3.000	2.76	9.37	4.45	4.8	3.74	¾x105
150x65	165.1x76.1	70	238	113	122	95	M16x105
6x1¼	6.625x1.660	2.01	9.37	3.23	4.76	3.74	¾x105
150x32	168.3x42.4	51	238	82	121	95	M16x105
6x1½	6.625x1.900	2.01	9.37	3.23	4.76	3.74	¾x105
150x40	168.3x48.3	51	238	82	121	95	M16x105
6x2	6.625x2.375	2.52	9.37	3.74	4.8	3.74	¾x105
150x50	168.3x60.3	64	238	95	122	95	M16x105
6x2½	6.625x2.875	2.76	9.37	4.45	4.8	3.74	¾x105
150x65	168.3x73.0	70	238	113	122	95	M16x105
6x2½	6.625x3.000	2.76	9.37	4.45	4.8	3.74	¾x105
150x65	168.3x76.1	70	238	113	122	95	M16x105
8x1¼	8.625x1.660	2.01	12.21	3.23	5.98	4.88	¾x115
200x32	219.1x42.4	51	301	82	152	124	M20x115
8x1½	8.625x1.900	2.01	12.21	3.23	5.98	4.88	¾x115
200x40	219.1x48.3	51	301	82	152	124	M20x115
8x2	8.625x2.375	2.52	12.21	3.82	5.98	4.88	¾x115
200x50	219.1x60.3	64	301	97	152	124	M20x115
8x2½	8.625x2.875	2.76	12.21	4.53	5.98	4.88	¾x115
200x65	219.1x73.0	70	301	115	152	124	M20x115
8x2½	8.625x3.000	2.76	12.21	4.53	5.98	4.88	¾x115
200x65	219.1x76.1	70	301	115	152	124	M20x115
8x3	219.1x88.9	3.5	12.21	5	5.98	4.88	¾x115
200x80	8.625x3.500	89	301	127	152	124	M20x115