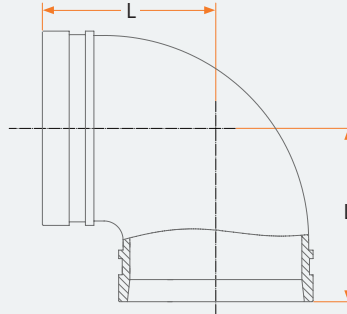


AL90ESR / AL90ESTDR 90° Elbow (Short / Long)

- Model | AL90ESR / AL90ESTDR
- Size | 1" thru 12"
- Approvals | UL, ULC, FM
- Housing | Ductile Iron ASTM A536 Gr. 65-45-12
- Working Pressure
 - UL, ULC, FM | 300 PSI / 2.07 Mpa
 - Mechanical | 500 PSI / 3.45 Mpa
- Paint Color | Orange Enamel, Optional : Red



90° Elbow (Short) | AL90ESR

Nominal Size		Pipe OD.		Dimensions	
in	mm	in	mm	L	
				in	mm
1	25	1.327	33.7	2.24	57
1¼	32	1.669	42.4	2.36	60
1½	40	1.9	48.3	2.36	60
2	50	2.375	60.3	2.76	70
2½	65	2.875	73	2.99	76
2½	65	3	76.1	2.99	76
3	80	3.5	88.9	3.39	86
4	100	4.25	108	4.02	102
4	100	4.5	114.3	4.02	102
5	125	5.25	133	4.76	121
5	125	5.5	139.7	4.76	121
5	125	5.563	141.3	4.76	121
6	150	6.25	159	5.51	140
6	150	6.5	165.1	5.51	140
6	150	6.625	168.3	5.51	140
8	200	8.625	219.1	6.89	175
10	250	10.75	273	8.46	215
12	300	12.75	323.9	9.65	245

90° Elbow (Long) | AL90ESTDR

Nominal Size		Pipe OD.		Dimensions	
in	mm	in	mm	L	
				in	mm
1	25	1.327	33.7	2.76	70
1¼	32	1.669	42.4	2.76	70
1½	40	1.9	48.3	2.76	70
2	50	2.375	60.3	3.23	82
2½	65	2.875	73	3.74	95
2½	65	3	76.1	3.74	95
3	80	3.5	88.9	4.25	108
4	100	4.25	108	5	127
4	100	4.5	114.3	5	127
5	125	5.25	133	5.51	140
5	125	5.5	139.7	5.51	140
5	125	5.563	141.3	5.51	140
6	150	6.25	159	6.5	165
6	150	6.5	165.1	6.5	165
6	150	6.625	168.3	6.5	165
8	200	8.625	219.1	7.76	197
10	250	10.75	273	9.02	229
12	300	12.75	323.9	10	254