

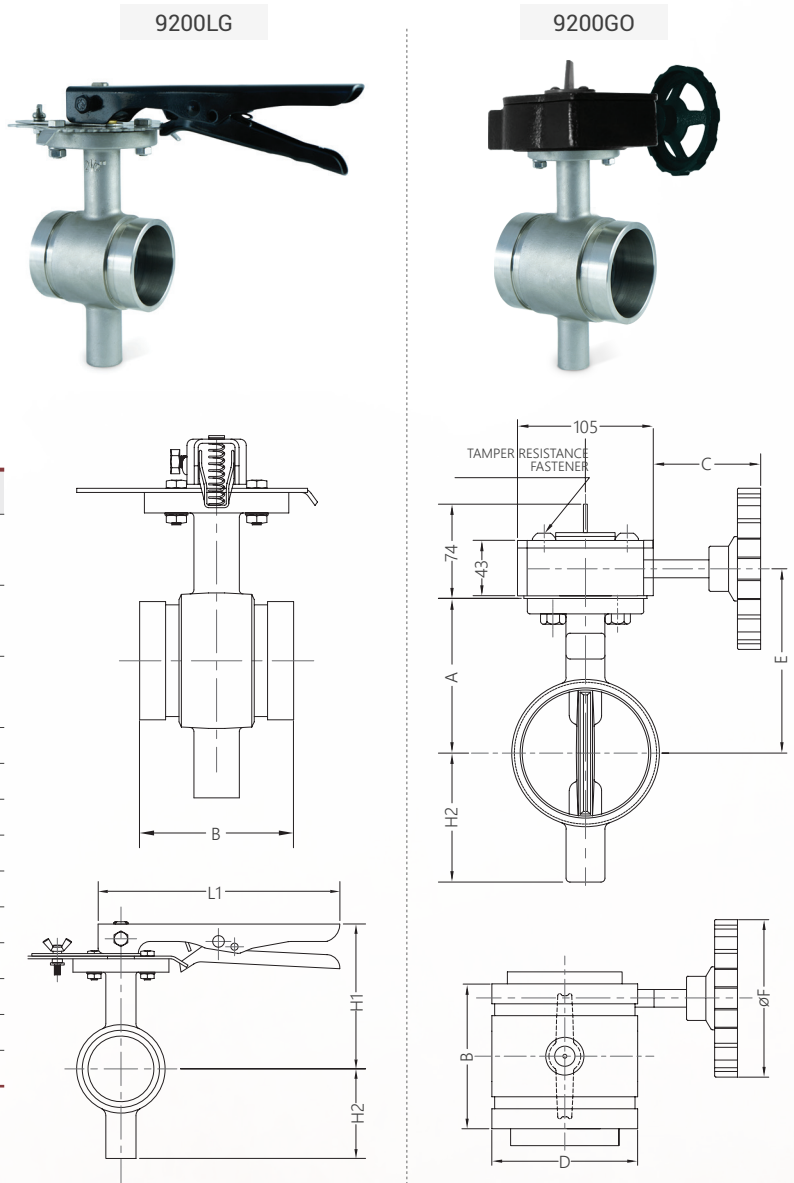
316 Stainless Butterfly Valve | Grooved 300 PSI



Technical Features

- Connections: Grooved Ends (AWWA C606)
- Size: 2", 2-1/2", 3", 4", 5", 6", 8"
- Maximum Working Pressure: 300PSI
(Max. Test Pressure: 600PSI)
- Maximum Working Temperature: 230°F (110°C)
- Application: Indoor and Outdoor Use
- 10-Position Epoxy-Coated Lever Handle with Memory Stop
(Options: 316 SS Lever-Handle, Gear Operator)

Components	Material	Specification
Body	316SS	316 (CF8M) Stainless Steel
Disc	Ductile Iron	Ductile Iron, EPDM or NBR Encapsulated
Stem	Stainless Steel	AISI 410 Stainless Steel
Stem Seals	EPDM	
ISO Mounting Pad	Stainless Steel	4-Hole, ISO
Throttling Plate	Steel, Zinc-Plated	
Lever Handle	Carbon Steel	Epoxy Coated
Gear-Op. Housing	Coated Steel	Epoxy Coated
Handwheel	Ductile Iron	ASTM A536
Worm Shaft	Stainless Steel	AISI 410
Shear Pin	Steel	ASTM A510
Gear Segment	Brass	ASTM B584
Housing Gasket	EPDM	EPDM Grade E



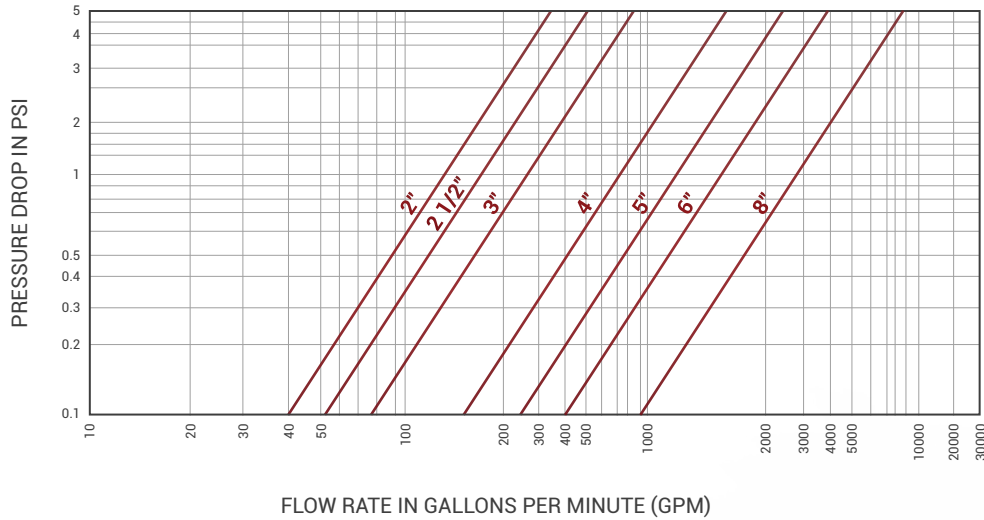
Dimensions

Size	A		B		C		D		E		F		L1		H1		H2	
	in	mm	in	mm	in	mm	in	mm	in	mm	in	mm	in	mm	in	mm	in	mm
2"	3.8	97	3.3	86	5.1	132	2.3	60.3	4.8	122	5.0	128	9.0	228.6	4.8	121	2.6	65
2-1/2"	4.1	105	3.7	96.4	5.1	132	2.8	73	5.1	130	5.0	128	9.0	228.6	5.4	136.9	3.3	84.8
3"	4.4	112	3.7	96.4	5.1	132	3.5	88.9	5.3	137	5.0	128	9.0	228.6	5.7	143.8	3.6	91.9
4"	5.7	145	4.5	115.4	5.1	132	4.5	114.3	6.6	170	5.0	128	9.0	228.6	7.0	176.8	4.2	107.9
5"	6.3	162	5.2	132.4	5.1	132	5.5	141.3	7.3	187	5.0	128	11.3	287.0	8.0	203.2	5.0	127.0
6"	7.0	179	5.2	132.4	7.4	190	6.6	168.3	8.0	204	8.6	220	11.3	287.0	8.2	210.8	5.7	144.8
8"	8.0	204	5.8	147.4	7.4	190	8.6	219.1	8.6	219.1	8.6	220	11.3	287.0	9.3	235.97	6.7	169.93

316 Stainless Butterfly Valve | Grooved 300 PSI



Grooved End Flow Characteristics



Flow coefficient: Cv

Size	Disk Open Angle						
	30°	40°	50°	60°	70°	80°	90°
2"	7	15	27	54	80	108	140
2-1/2"	12	27.4	53.1	96	138	156	163
3"	18.9	39.4	78.9	144	210	243	249
4"	30	65.1	129	226	377	488	514
5"	62	123	237	390	625	880	1010
6"	84	184	369	634	964	1196	1286
8"	165	339	677	1230	2002	2850	3129

Torque Test Result

Size	2"	2.5"	3"	4"	5"	6"	8"
Test Item	Value	Value	Value	Value	Value	Value	Value
open/close	open/close	open/close	open/close	open/close	open/close	open/close	open/close
Average	20/35	30/45	35/75	85/135	100/140	135/185	185/265

• Pressure TEST Reference: 300PSI (basic) 21.09 Kgf/cm²
 low(100psi/7.03 Kgf/cm²) | medium(300psi/21.09Kgf/cm²) | high(600psi/42.18Kg/cm²)