

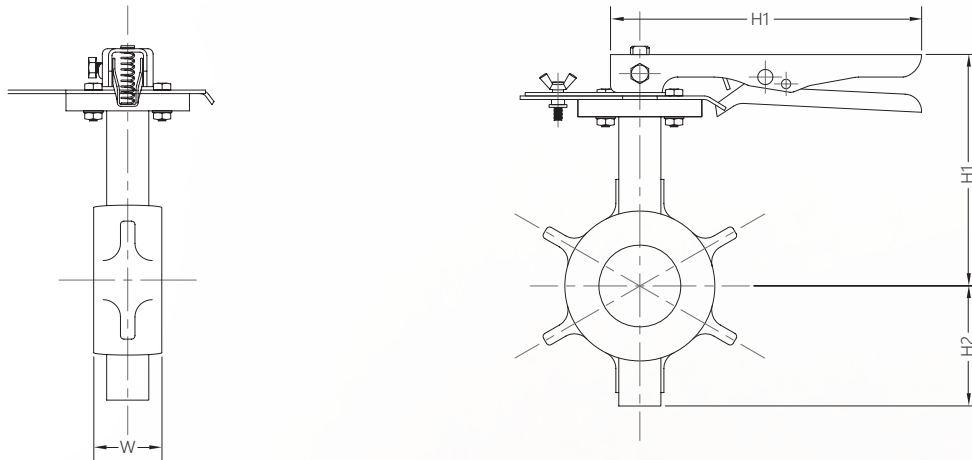
## Lever Lock Handle Butterfly Valve Wafer 300 PSI



### Technical Features

- Connections: Wafer Ends (ANSI Class 125)
- Size: 2-1/2", 3", 4", 6", 8"
- Maximum Working Pressure: 300PSI (Max. Test Pressure: 450PSI)
- Maximum Working Temperature: 250°F (120°C)
- Application: Indoor and Outdoor Use
- 10 Point Lock Position

Components	Material
Body	ASTM A526 Nylon-11 Coated
Disc	Ductile Iron, EPDM or NBR Encapsulated
Stem	Stainless Steel
Throttling Plate	Steel, Zinc Plated
ISO Mounting Pad	
Handle	Carbon Steel, Epoxy Coating or Casting



### Dimensions

Size	L1		W		H1		H2		Weight lbs
	in	mm	in	mm	in	mm	in	mm	
2-1/2"	9.0	228.6	1.8	46.0	6.6	167.9	3.4	86.9	7.5
3"	9.0	228.6	1.8	46.0	6.9	174.8	3.7	93.0	8.0
4"	9.0	228.6	2.0	52.0	7.4	188.0	4.3	109.0	12.0
6"	11.3	285.75	2.2	56.0	8.7	220.0	5.7	143.8	22.5
8"	13.3	337.82	2.4	60.0	10.0	254.0	6.7	170.0	33.51