

Lever Lock Handle Butterfly Valve Grooved 300 PSI

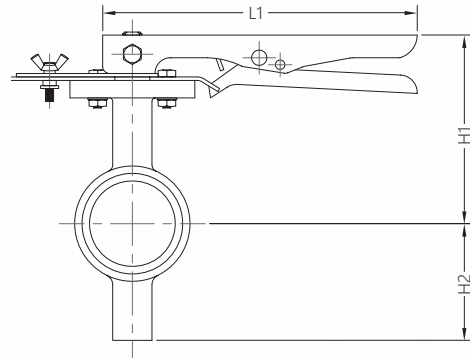
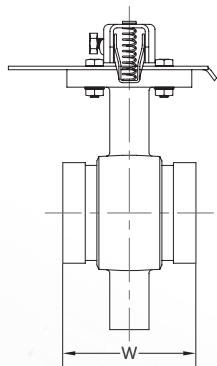


Technical Features

- Connections: Grooved Ends (AWWA C606)
- Size: 2", 2-1/2", 3", 4", 5", 6", 8", 10", 12", 14"
- Maximum Working Pressure: 300PSI (Max. Test Pressure: 450PSI)
- Maximum Working Temperature: 250°F (120°C)
- Application: Indoor and Outdoor Use
- 10 Point Lock Position



Components	Material	Specification
Body	Ductile Iron	ASTM A526 Nylon-11 Coated
Disc	Ductile Iron	ASTM A536 EPDM Encapsulated
Indicator	Ductile Iron	ASTM A536
Housing	Ductile Iron	ASTM A536
Stem	Stainless Steel	AISI 420
Worm Shaft	Stainless Steel	AISI 410
Shear Pin	Steel	ASTM A510
Gear Segment	Brass	ASTM B584
Housing Gasket	EPDM	EPDM Grade E
O-Ring (All)	EPDM	EPDM Grade E



Dimensions

Size	L1		W		H1		H2		Weight lbs
	in	mm	in	mm	in	mm	in	mm	
2"	9.0	228.6	3.4	86	4.8	121	2.6	65	-
2-1/2"	9.0	228.6	3.8	96.3	5.4	136.9	3.3	84.8	8.5
3"	9.0	228.6	3.8	96.3	5.7	143.8	3.6	91.9	10.0
4"	9.0	228.6	4.5	115.3	7.0	176.8	4.2	107.9	13.5
5"	11.3	287.02	5.2	132.3	7.8	198.12	5.2	132.08	N/A
6"	11.3	287.02	5.2	132.3	8.2	210.8	5.7	144.8	20.0
8"	13.3	337.82	5.8	147.32	9.3	235.97	6.7	169.93	33.51
10"	13.3	337.82	6.26	159	8.50	216	7.72	196	N/A
12"	13.3	337.82	6.50	165	10	254	8.90	226	N/A
14"	13.3	337.82	7.01	178	11.42	290	9.49	241	N/A

* 10", 12", 14" : Special Order