

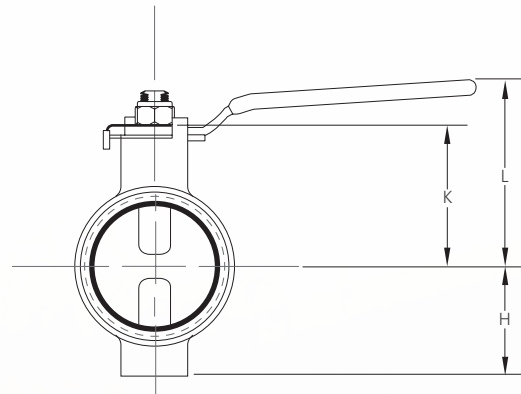
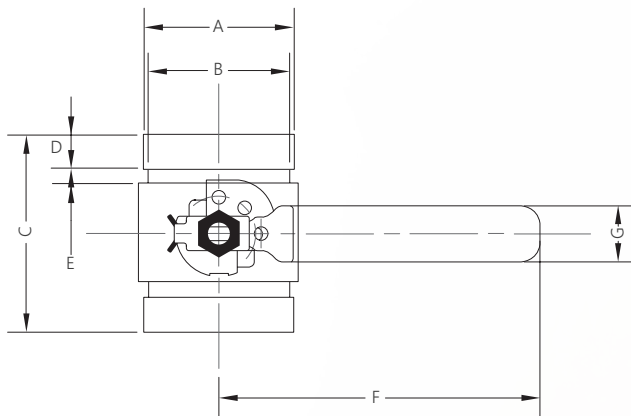
Lever Type Handle Butterfly Valve Grooved 300 PSI



Technical Features

- Connections: Grooved Ends (AWWA C606)
- Sizes: 2, 2-1/2", 3", 4", 5", 6", 8"
- Maximum Working Pressure: 300PSI (Max. Test Pressure: 450PSI)
- Maximum Working Temperature: 250°F (120°C)
- Application: Indoor and Outdoor Use

Components	Material
Body	Epoxy Coated
Disc	Ductile Iron, EPDM or NBR Encapsulated
Stem	Stainless Steel
Latch Plate	Steel, Zinc Plated with 3-position lock-out.
Handle	Carbon Steel, Epoxy Coating or Casting



Dimensions

Size	A		B		C		D		E		F		G		H		K		L		Weight lbs
	in	mm	in	mm	in	mm	in	mm	in	mm	in	mm	in	mm	in	mm	in	mm	in	mm	
2"	2.4	60.9	2.3	57.2	3.4	87.4	0.6	15.9	0.3	8.7	6.0	154.4	1.0	25.4	1.8	46.0	2.3	59.0	3.2	81	5.0
2-1/2"	2.9	73.6	2.8	70.2	3.8	96.8	0.6	15.9	0.4	8.9	6.0	154.4	1.0	25.4	2.1	52.3	2.4	62	3.6	91.9	7.0
3"	3.6	91.4	3.4	86.4	3.8	96.8	0.6	15.9	0.4	8.9	8.4	214.4	1.0	25.4	2.6	66.5	2.7	68.1	4.3	108	8.0
4"	4.6	116.8	4.4	111.8	4.6	117.3	0.6	15.9	0.4	8.9	8.4	214.4	1.0	25.4	3.3	84.1	3.3	84.1	4.9	125.5	12.0
5"	5.5	139.8	5.3	133.5	5.2	132.4	0.6	15.9	0.4	8.9	12.3	311.2	1.3	31.8	3.9	99.0	3.9	99.0	5.8	147.6	-
6"	6.7	170.1	6.6	167.6	5.3	133.4	0.6	15.9	0.4	8.9	12.3	311.2	1.3	31.8	4.4	111.3	4.4	111.3	7.0	177.8	19.0
8"	8.6	218.4	8.4	213.3	5.8	147	0.7	19.0	0.4	8.9	12.3	311.2	1.3	31.8	5.4	137.0	5.4	137.0	8.0	203.2	34.0