

AMPRO^{plus}

USER MANUAL ANALYZER LEAK TEST



Distributed By:



625 Peachtree Street
Cocoa, FL 32922
Phone: 1-321-223-7500

info@diamondsci.com
www.DiamondSci.com



AMPROplus Analyzer - Probe and Condensate Separator LEAK TEST



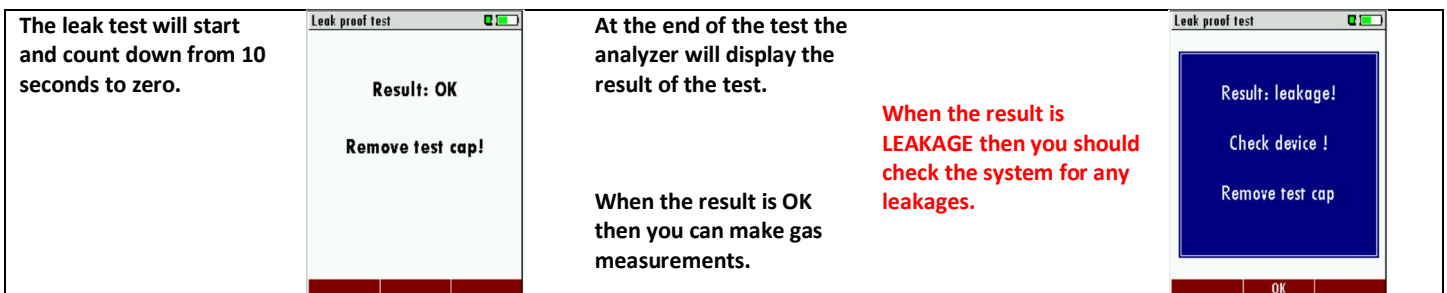
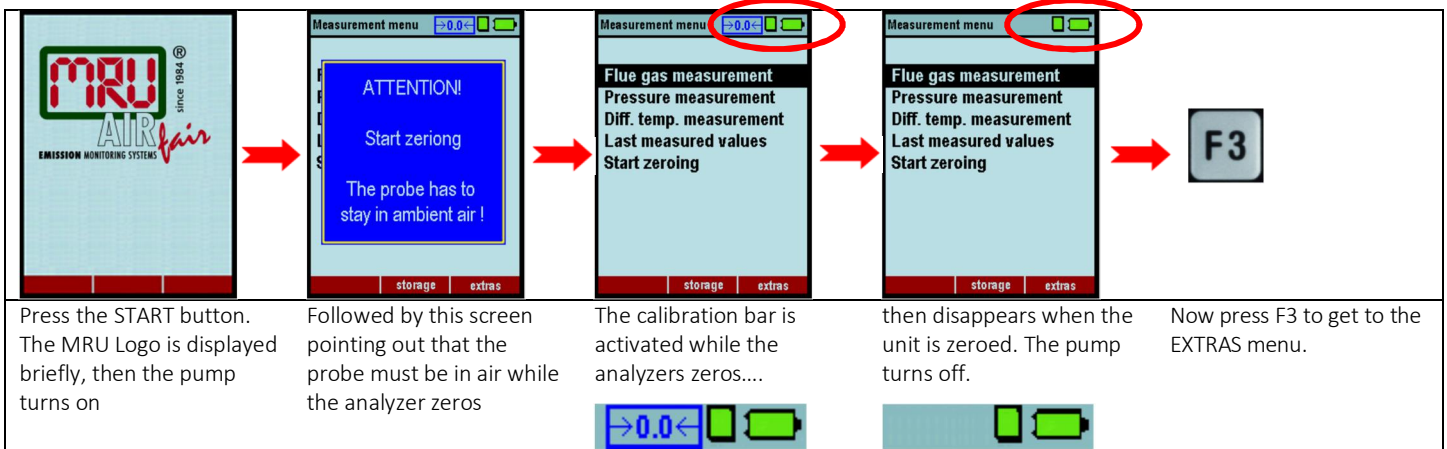
Your analyzer is equipped with a LEAK TEST that allows you to check the analyzer, probe tube, gas sampling line and condensate separator for leaks. Having a leak in the system will result in wrong analyzer readings, O2 values will be too high and other readings will be too low.



We suggest to perform this test on a daily basis!

If the leak test fails, the analyzer will notify you and you should check the components for any defects. Here is how to proceed:

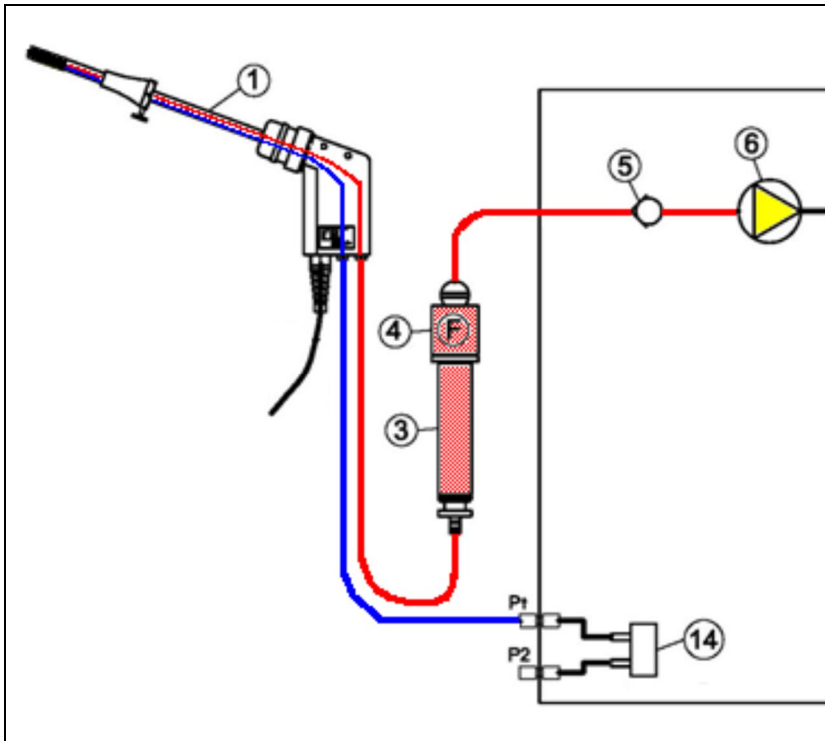
Here is how to proceed:



AMPROplus

Analyzer - Probe and Condensate Separator LEAK TEST

Here is how it works:



Important!

The probe has to be connected to the analyzer, both the gas sampling line and the draft line must be connected.

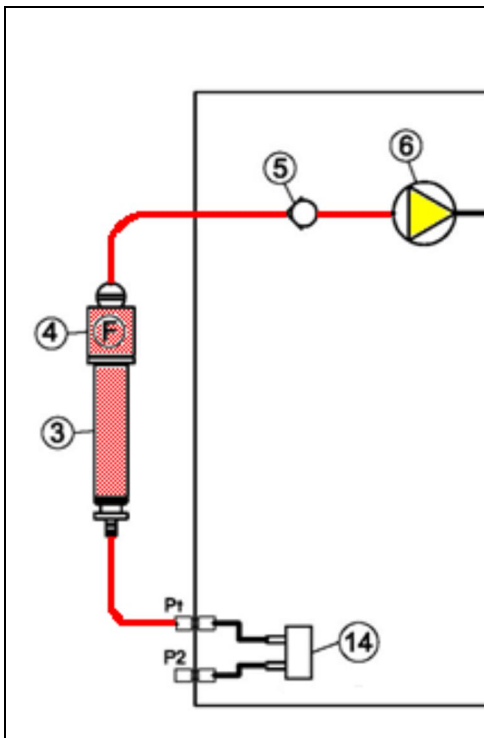
Once the test cap is connected to the probe tube tip, we have a closed system.

Phase 1

The gas pump (6) will create a vacuum and the negative pressure is measured using the draft sensor (14).

Once a defined pressure is reached the pump will stop and the test enters Phase 2 and will count down for 10 seconds.

During this time the pressure is monitored, the analyzer will detect a leak in the system should the pressure drop.



In case your analyzer has failed the test and you don't know if it is the probe, analyzer or condensate separator, then you can perform this test without the probe, you would just have to connect the condensate separator port to the draft port, using a silicone hose.

Now you can perform the LEAK TEST again -

- if the test passes, you have a leak in the probe system.
- If the test fails again, you have a leak either in your condensate separator or analyzer.



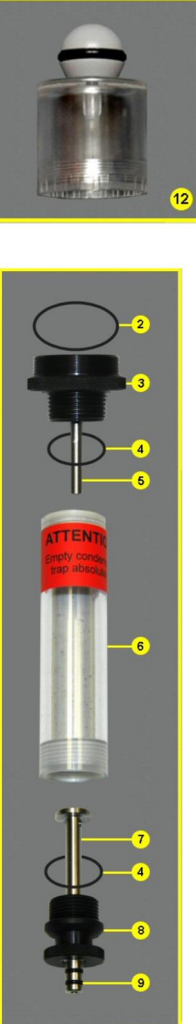
PLEASE NOTE!!

The connection shown on the left is for this test **ONLY**. Never use this connection in any other menus!

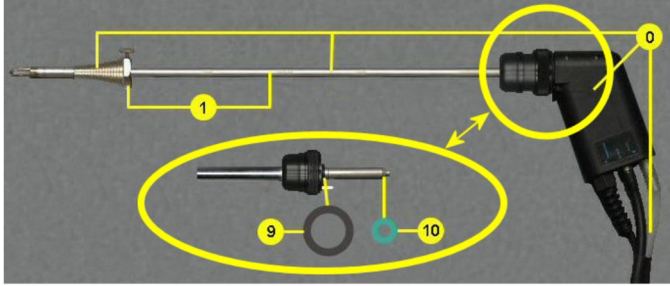
AMPROplus

Analyzer - Probe and Condensate Separator LEAK TEST

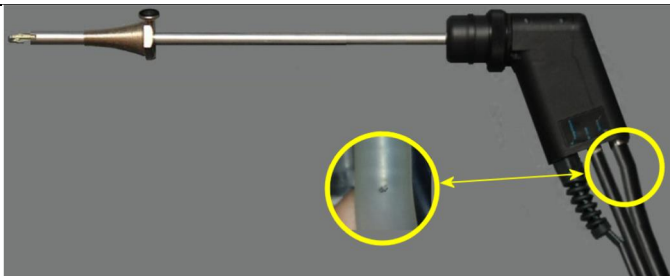
Possible reasons the test has failed.




Condensate Separator:
Defect or missing O-Rings / cracked condensate show glass



Probe handle and probe tube:
Defect or missing O-Rings.
Or the connection is not tight enough.



Hoses:
Defect hose - very common at the probe handle.



If you have this PRE-Filter (# 56356) installed, check the show glass for cracks and check the O-Rings

Also possible:
Internal pump is not working or doesn't have enough suction.



Hoses:
Defect hose - very common at the condensate separator port.

Spare parts.

POS.	Parts for Condensate Separator	Part #
12	Filter housing with O-Ring	63919
4	O-Ring 22 x 1.5	64120
6	Show glass	62627
9	O-Ring 5 x 1.5	61464

POS.	Parts for Probe	Part #
9	O-Ring 8 x 2.4 (probe)	61065
10	O-Ring 3.7 x 1.9 (probe)	59582
NA	O-Ring 24 x 1.5 (PRE-Filter #56356)	51516
NA	Show glass (PRE-Filter #56356)	52648
NA	Viton sampling line	55641

POS.	Parts for Analyzer	Part #
NA	O-Ring 4 x 1.5 (draft port)	61463