

Http: //www.hvacstar.com



MINGGUANG HECHENG ELECTRICAL CO.,LTD

No.21, Hongwu Road,Mingguang Industry
Park,Mingguang City,Anhui 239400 China
TEL: 86-550-8132766 86-550-2272299
FAX: 86-550-8132766
E-mail: asiancn@vip.163.com

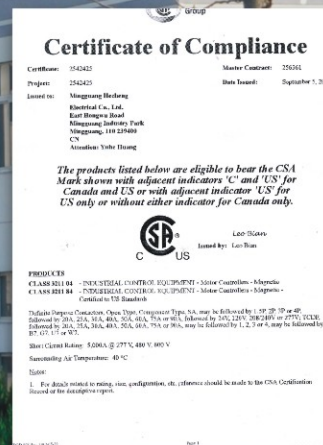
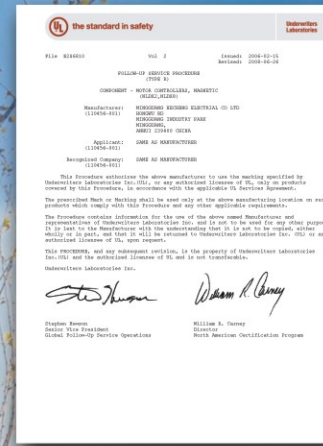
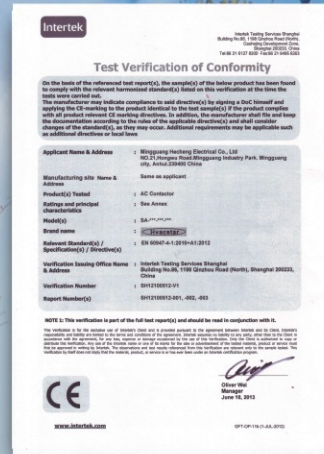
Hvacstar

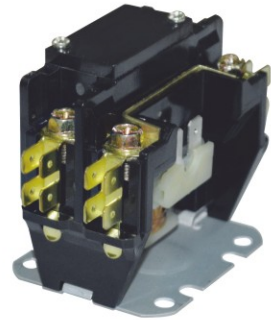


HECHENG ELECTRICAL CO.,LTD

Quality product for OEM







20-30 FLA-1 Pole With Shunt



40 FLA-2 Pole

Silver Cadmium Oxide Contacts
 UL 508 File No. E246810
 Class NLDX2, NLDX8
 Semko/CE File No. EN60947-4-1:2010
 CSA File No. 256361
 Class 3211 04/ 3211 84

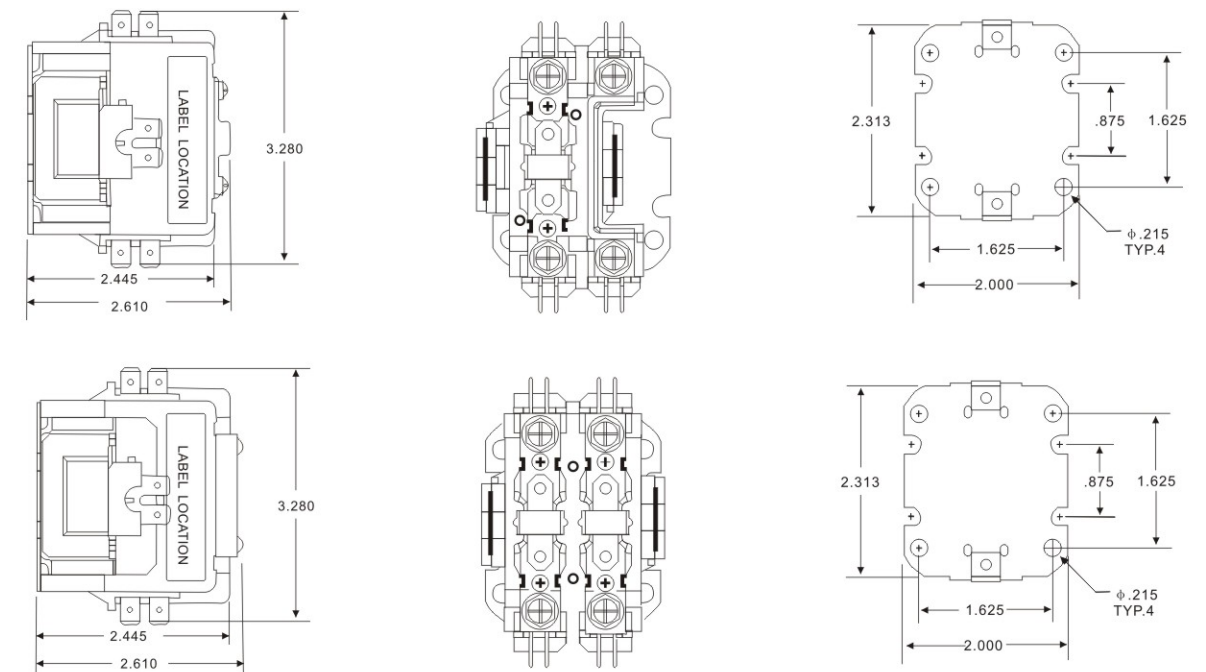
COIL VOLTAGE 50/60HZ	NUMBER OF POLES	FULL LOAD AMPS	LINE VOLTAGE	LOCKED ROTOR AMPS	RESISTIVE AMPS RATING	MAXIMUM HORSEPOWER		APPROX UNIT WEIGHT
						VOLTAGE	SINGLE PHASE	
20 FLA1,1.5&2POLE								
24	1	20	240/277	120	30	120	1	.5 lb
120	1.5	20	480	100	30	120	2	.23 kg
208/240	2	20	600	80	30	240	2	.6 lb
277							3	.27 kg
25 FLA1,1.5&2POLE								
24	1	25	240/277	150	35	120	1	.5 lb
120	1.5	25	480	125	35	120	2	.23 kg
208/240	2	25	600	100	35	240	2	.6 lb
277							3	.27 kg
30 FLA1,1.5&2POLE								
24	1	30	240/277	180	40	120	1	.5 lb
120	1.5	30	480	150	40	120	2	.23 kg
208/240	2	30	600	120	40	240	2	.6 lb
277							3	.27 kg
40 FLA1,1.5&2POLE								
24	1	40	240/277	240	50	120	2	.5 lb
120	1.5	40	480	200	50	120	3	.23 kg
208/240	2	40	600	160	50	240	2	.6 lb
277							3	.27 kg

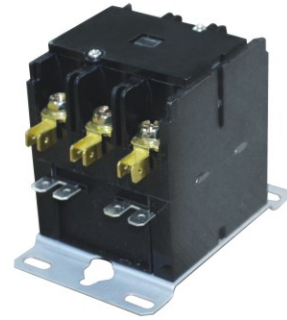
1 pole: 1 pole without shunt
 1.5 pole: 1 pole with shunt

OTHER SPECIFICATIONS:	20-30 FLA	40 FLA
Line and Load Terminals	#10-32 Screw	Box Lug
Wire Size AWG Min-Max	16-8*	14-4 Cu/Al
Tightening Torque(recommended)	25 in. lbs	40 in. lbs
Coil Termination	Dual .250" QC(2)	Dual .250" QC(2)
Quick Connects .250" std. -1 or 1.5 Pole	Quad	Quad
Quick Connects .250" std. -2 pole	Dual or Quad	Dual or Quad
ARC Cover	Optional	Standard
Insulation System	130°C Class B	130°C Class B
*Stranding must be split for #8 wire.		
Permissible Ambient Temperature: -40°C /65°C -40°F /150°F		

COIL TECHNICAL DATA 50/60HZ	1 & 1.5 POLE CONTACTORS				2 POLE CONTACTORS			
Nominal Coil Voltage	24	120	208/240	277	24	120	208/240	277
Maximum Pickup Volts	18	88	177	221	18	88	177	221
Drop-Out Volts Range	6-15	20-70	40-140	50-165	6-15	20-70	40-140	50-165
Nominal Inrush VA @ 50Hz	31	31	35	31	22	22	22	22
Nominal Inrush VA @ 60Hz	28	28	32	28	20	20	20	20
Nominal Sealed VA @ 50Hz	6	6	7	6	5.5	5.5	5.5	5.5
Nominal Sealed VA @ 60Hz	5	5	6	5	4.5	4.5	4.5	4.5
Nominal DC Resistance-Ohms	18	420	1800	2500	11	237	1000	1600
Maximum Coil Voltage	30	132	264	300	30	132	264	300

Outline Dimensions: 1.5 & 2 pole (shown in inches)





20-30 FLA-3 Pole



40 FLA-3 Pole

Silver Cadmium Oxide Contacts

UL 508 File No. E246810

Class NLDX2, NLDX8

Semko/CE File No. EN60947-4-1:2010

CSA File No. 256361

Class 3211 04/ 3211 84

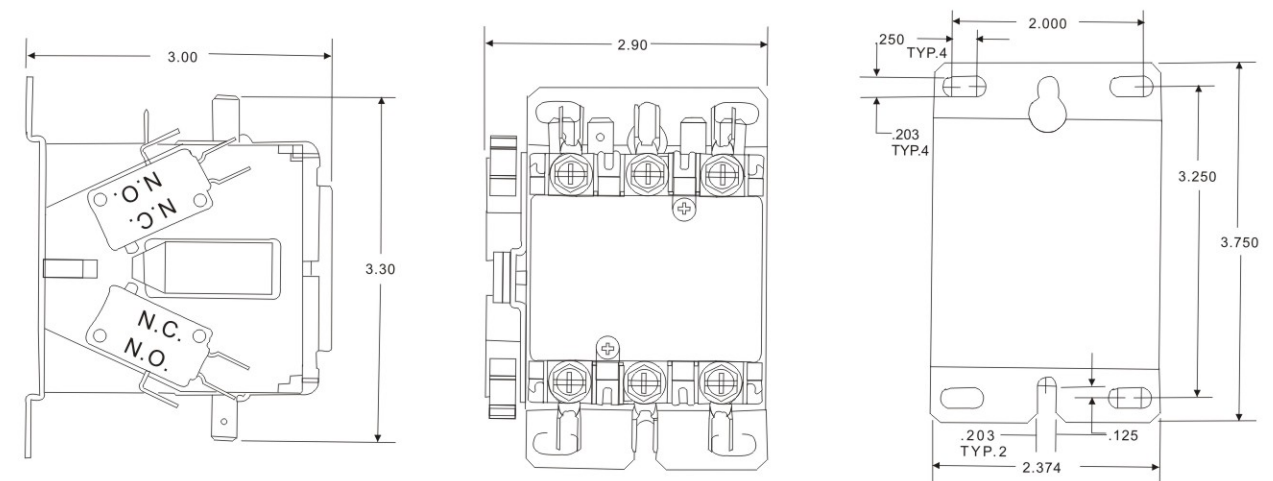
Auxiliary switches for these contactors are located on page 11.

COIL VOLTAGE 50/60HZ	NUMBER OF POLES	FULL LOAD AMPS	LINE VOLTAGE	LOCKED ROTOR AMPS	RESISTIVE AMPS RATING	MAXIMUM HORSEPOWER			APPROX UNIT WEIGHT
						VOLTAGE	SINGLE PHASE	THREE PHASE	
20 FLA-3 POLE									
24 110/120 208/240 277	3	20	240/277 480 600	120 100 80	30 30 30	110/120 200/240 480/600	1.5 3 -	- 7.5 7.5	1 lb .45 kg
25 FLA-3 POLE									
24 110/120 208/240 277	3	25	240/277 480 600	150 125 100	35 35 35	110/120 200/208 240/277 480 600	2 - 5 -	- 7.5 7.5 15 20	1 lb .45 kg
30 FLA-3 POLE									
24 110/120 208/240 277	3	30	240/277 480 600	180 150 120	40 40 40	110/120 200/208 240/277 480 600	2 - 5 -	- 10 10 15 20	1 lb .45 kg
40 FLA-3 POLE									
24 110/120 208/240 277	3	40	240/277 480 600	240 200 160	50 50 50	110/120 200/208 240/277 480 600	3 - 7.5 -	- 10 10 20 25	1 lb .45 kg

OTHER SPECIFICATIONS:	20-30 FLA	40 FLA
Line and Load Terminals	#10-32 Screw	Box Lug
Wire Size AWG Min-Max	16-8*	14-4 Cu/Al
Tightening Torque(recommended)	25 in. lbs	40 in. lbs
Quick Connects: Power Terminals	Dual .250" QC	Dual .250" QC
Coil Terminals	Dual .250" QC(2)**	Dual .250" QC(2)**
ARC Cover	Standard	Standard
Insulation System	130°C Class B	130°C Class B
*Stranding must be split for #8 wire.		
**(1)#6-32 screw and (1).250" QC are optional		
Permissible Ambient Temperature: -40°C /65°C -40°F/150°F		

COIL TECHNICAL DATA 50/60HZ					
Nominal Coil Voltage	24	120	208/240	277	480
Maximum Pickup Volts	18	88	177	220	384
Drop-Out Volts Range	6-15	20-70	40-140	65-185	150-270
Nominal Inrush VA @ 50Hz	65	65	65	65	65
Nominal Inrush VA @ 60Hz	60	60	60	60	60
Nominal Sealed VA @ 50Hz	7.5	7.5	7.5	7.5	7.5
Nominal Sealed VA @ 60Hz	6.0	6.0	6.0	6.0	6.0
Nominal DC Resistance-Ohms	7	180	720	900	3100
Maximum Coil Voltage	30	132	264	300	528

Outline Dimensions: 20-40FLA, 3 pole (shown in inches)





25-30 FLA-4 Pole



40 FLA-4 Pole

Silver Cadmium Oxide Contacts

UL 508 File No. E246810

Class NLDX2, NLDX8

CSA File No. 256361

Class 3211 04/ 3211 84

Auxiliary switches for these contactors are located on page 11.

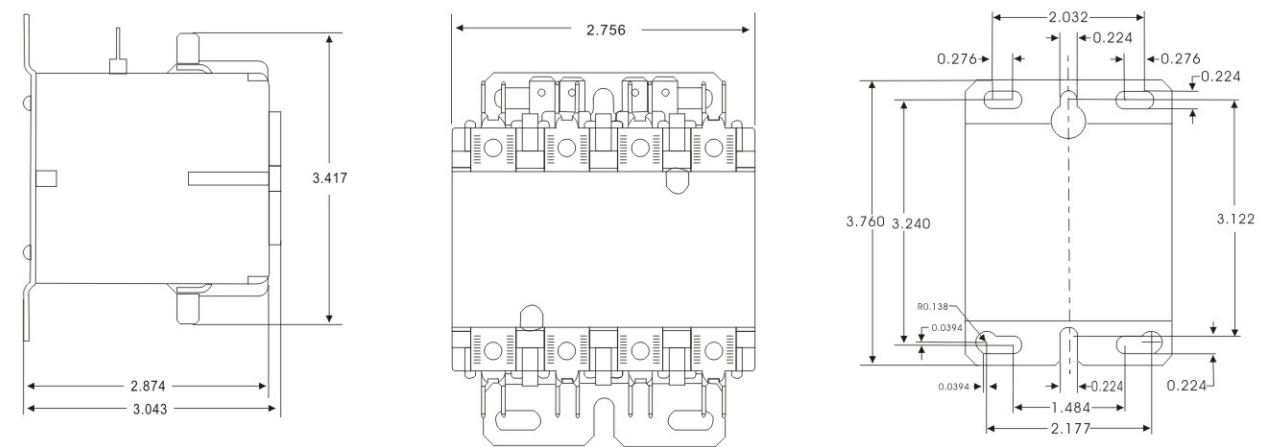
OTHER SPECIFICATIONS:	25-30 FLA	40 FLA
Line and Load Terminals	#10-32 Screw	Box Lug
Wire Size AWG Min-Max	16-8*	14-4 Cu/Al
Tightening Torque(recommended)	22 in. lbs	40 in. lbs
Quick Connects: Power Terminals	Dual .250" QC	Dual .250" QC
Coil Terminals	Dual .250" QC(2)**	Dual .250" QC(2)**
ARC Cover	Standard	Standard
Insulation System	130°C Class B	130°C Class B

*Stranding must be split for #8 wire.
 **(1)#6-32 screw and (1).250" QC are optional
 Permissible Ambient Temperature: -40°C /65°C -40°F/150°F

COIL TECHNICAL DATA 50/60HZ					
Nominal Coil Voltage	24	120	208/240	277	480
Maximum Pickup Volts	19.2	88	177	220	384
Drop-Out Volts Range	6-15	20-70	40-140	65-185	150-270
Nominal Inrush VA @ 50Hz	68	68	58	58	48
Nominal Inrush VA @ 60Hz	60	60	55	52	52
Nominal Sealed VA @ 50Hz	14	14	11	11	11
Nominal Sealed VA @ 60Hz	9	9	9.5	9.5	9
Nominal DC Resistance-Ohms	6	150	600	750	4200
Maximum Coil Voltage	30	132	264	300	528

COIL VOLTAGE 50/60HZ	NUMBER OF POLES	FULL LOAD AMPS	LINE VOLTAGE	LOCKED ROTOR AMPS	RESISTIVE AMPS RATING	MAXIMUM HORSEPOWER			APPROX UNIT WEIGHT
						VOLTAGE	SINGLE PHASE	THREE PHASE	
25 FLA-4 POLE									
24 110/120 208/240 277	4	25	240/277 480 600	150 125 100	35 35 35	110/120 200/208 240/277 480 600	2 - 5 - -	7.5 7.5 15 20	1.5 lbs .68 kg
30 FLA-4 POLE									
24 110/120 208/240 277	4	30	240/277 480 600	180 150 120	40 40 40	110/120 200/208 240/277 480 600	2 - 5 - -	10 10 15 20	1.5 lbs .68 kg
40 FLA-4 POLE									
24 110/120 208/240 277	4	40	240/277 480 600	240 200 160	50 50 50	110/120 200/208 240/277 480 600	3 - 7.5 - -	10 10 20 25	1.5 lbs .68 kg

Outline Dimensions: 25-40FLA, 4pole (shown in inches)





50 FLA-2 Pole



60 FLA-3 Pole

Silver Cadmium Oxide Contacts

UL 508 File No. E246810

Class NLDX2, NLDX8

CSA File No. 256361

Class 3211 04/ 3211 84

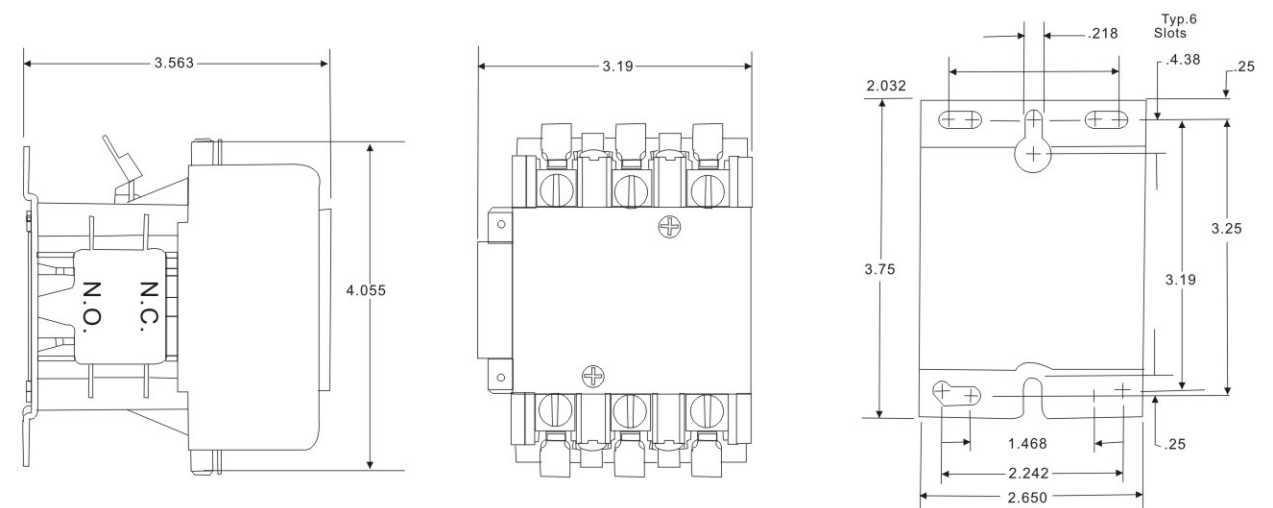
Auxiliary switches for these contactors are located on page 11.

OTHER SPECIFICATIONS:	50 FLA	60 FLA
Line and Load Terminals	Box lugs	Box Lugs
Wire Size AWG Min-Max	14-2 Cu/Al	14-2 Cu/Al
Tightening Torque(recommended)	50 in. lbs	50 in. lbs
Quick Connects: Power Terminals	Dual .250" QC	Dual .250" QC
Coil Terminals	#6-32 screw & .250" QC(2)	#6-32 screw & .250" QC(2)
ARC Cover	Standard	Standard
Insulation System	130°C Class B	130°C Class B
Permissible Ambient Temperature:	-40°C /65°C	-40°F/150°F

COIL TECHNICAL DATA 50/60HZ					
Nominal Coil Voltage	24	120	208/240	277	480
Maximum Pickup Volts	18	93	177	235	374
Drop-Out Volts Range	6-15	20-70	40-135	50-180	150-286
Nominal Inrush VA @ 50Hz	140	140	140	140	140
Nominal Inrush VA @ 60Hz	132	132	132	132	132
Nominal Sealed VA @ 50Hz	20	20	20	20	20
Nominal Sealed VA @ 60Hz	14	14	14	14	14
Nominal DC Resistance-Ohms	2.3	53	180	280	852
Maximum Coil Voltage	30	132	264	300	528

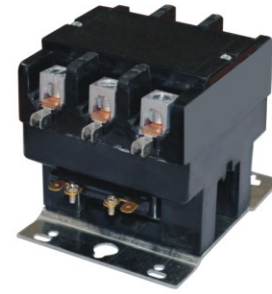
COIL VOLTAGE 50/60HZ	NUMBER OF POLES	FULL LOAD AMPS	LINE VOLTAGE	LOCKED ROTOR AMPS	RESISTIVE AMPS RATING	MAXIMUM HORSEPOWER			APPROX UNIT WEIGHT
						VOLTAGE	SINGLE PHASE	THREE PHASE	
50 FLA-3 POLE									
24 110/120 208/240 277	2	50	240/277	300	65	110/120	3	-	2 lbs .91 kg
			480	250	65	200/208	7.5	15	
			600	200	65	240	10	15	
24 110/120 208/240 277	3					480	-	25	
						600	-	25	
60 FLA-3 POLE									
24 110/120 208/240 277	2	60	240/277	360	75	110/120	5	-	2 lbs .91 kg
			480	300	75	200/208	7.5	25	
			600	240	75	240	10	25	
24 110/120 208/240 277	3					480	-	30	
						600	-	30	

Outline Dimensions: 50-60FLA, 3 pole (shown in inches)





75 FLA-2 Pole



90 FLA-3 Pole

Silver Cadmium Oxide Contacts

UL 508 File No. E246810

Class NLDX2, NLDX8

CSA File No. 256361

Class 3211 04/ 3211 84

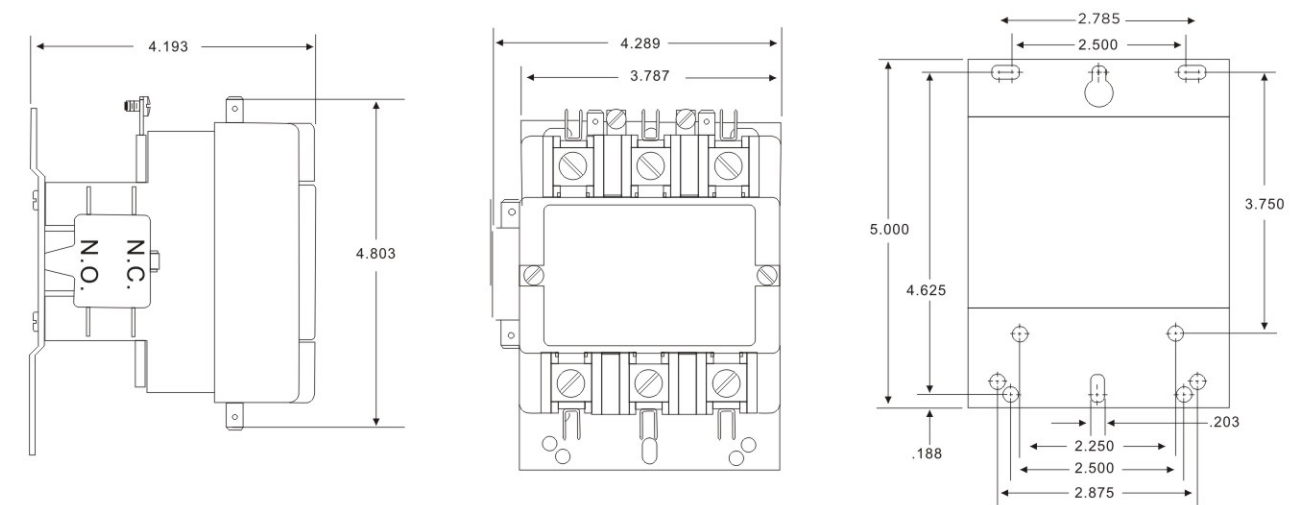
Auxiliary switches for these contactors are located on page 11.

OTHER SPECIFICATIONS:	75 FLA	90 FLA
Line and Load Terminals	Box lugs	Box lugs
Wire Size AWG Min-Max	14-1 Cu/Al	14-1 Cu/Al
Tightening Torque(recommended)	50 in. lbs	50 in. lbs
Quick Connects: Power Terminals	Dual .250" QC	Dual .250" QC
Coil Terminals	#6-32 screw & .250" QC(2)	#6-32 screw & .250" QC(2)
ARC Cover	Standard	Standard
Insulation System	130°C Class B	130°C Class B
Permissible Ambient Temperature:	-40°C /65°C	-40°F/150°F

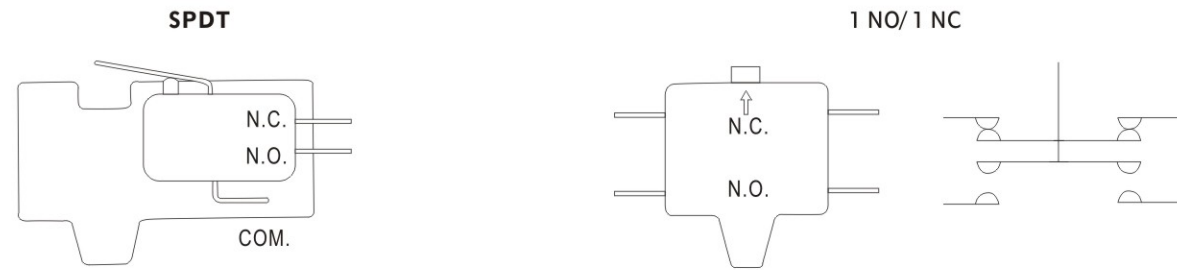
COIL TECHNICAL DATA 50/60HZ					
Nominal Coil Voltage	24	120	208/240	277	480
Maximum Pickup Volts	18	88	177	220	384
Drop-Out Volts Range	6-15	20-70	40-110	65-185	150-270
Nominal Inrush VA @ 50Hz	285	285	285	285	285
Nominal Inrush VA @ 60Hz	240	240	240	240	240
Nominal Sealed VA @ 50Hz	42	42	42	42	42
Nominal Sealed VA @ 60Hz	27	27	27	27	27
Nominal DC Resistance-Ohms	0.85	15.6	63.5	85	240
Maximum Coil Voltage	30	132	264	300	528

COIL VOLTAGE 50/60HZ	NUMBER OF POLES	FULL LOAD AMPS	LINE VOLTAGE	LOCKED ROTOR AMPS	RESISTIVE AMPS RATING	MAXIMUM HORSEPOWER			APPROX UNIT WEIGHT
						VOLTAGE	SINGLE PHASE	THREE PHASE	
75 FLA-3 POLE									
24 110/120 208/240 277	2	75	240/277	450	90	110/120	5	-	4 lbs 1.81 kgs
			480	375	90	200/208	10	20	
			600	300	90	240	15	25	
24 110/120 208/240 277	3					480	-	40	
						600	-	40	
90 FLA-3 POLE									
24 110/120 208/240 277	2	90	240/277	540	120	110/120	7.5	-	4 lbs 1.81 kgs
			480	450	120	200/208	15	25	
			600	360	120	240	20	30	
24 110/120 208/240 277	3					480	-	50	
						600	-	50	

Outline Dimensions: 75-90FLA, 3 pole (shown in inches)



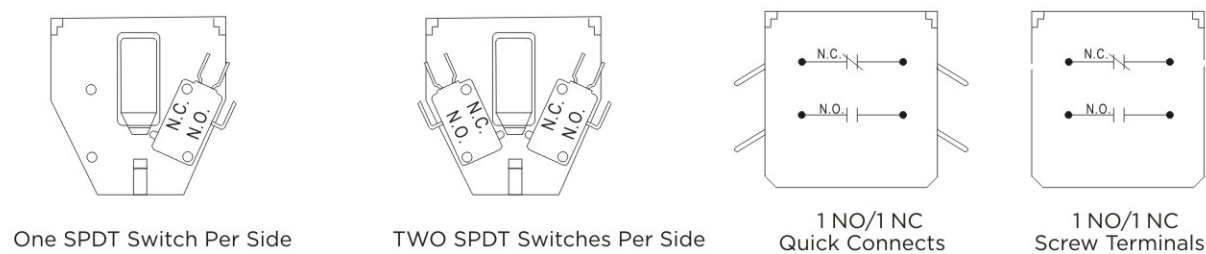
50 & 60 FLA, 2 & 3 Pole, 75 & 90 FLA, 2 & 3 Pole



Quick connect terminals .250"wide , screw terminals #6-32 .

CONTACT RATING OF SPDT	CONTACT RATING OF 1 NO/1 NC					OTHER CONFIGURATIONS AVAILABLE
	Voltage Rating	120	240	480	600	
10A, 1/3HP, 125 or 250VAC 1/2A, 125VDC; 1/4A, 250VDC; 4A, 120VAC on Lamp Load	Amps-Break	3.0	1.5	.75	.6	One Normally Open One Normally Closed Consult Factory
	Amps-Make	30	15	7.5	6	
	Amps-Continuous	10	10	10	10	

20-40 FLA, 3 & 4 Pole



Quick connect terminals .250"wide , screw terminals #6-32 .

CONTACT RATING OF SPDT	CONTACT RATING OF 1 NO/1 NC					OTHER CONFIGURATIONS AVAILABLE
	Voltage Rating	120	240	480	600	
10A, 1/3HP, 125 or 250VAC 1/2A, 125VDC; 1/4A, 250VDC; 4A, 120VAC on Lamp Load	Amps-Break	3.0	1.5	.75	.6	One Normally Open Two Normally Open One Normally Closed Two Normally Closed Consult Factory
	Amps-Make	30	15	7.5	6	
	Amps-Continuous	10	10	10	10	

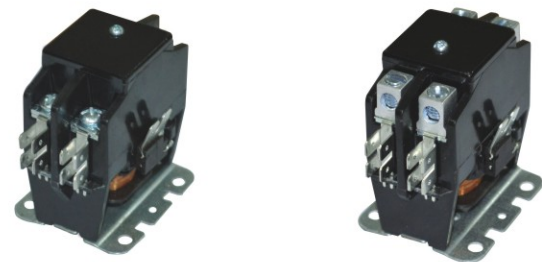
Product type:	Prefix:	Pack Code	Pole Form Code (1 digit) (1 alpha)	Coil Voltage Code (1 alpha)	Contact Ratings Code (2 digits)	Termination Code (2 alphas)	Optional Customer Identification Number (3 digits)	Optional Cover Designation
Definite Purpose Contactor	HCDP	-	1	24	20	AA	100	C
	1	2	3	4	5	6	7	8

1	Prefix:	Hecheng Electrical. Definite Purpose Contactor for HVAC applications		
2	Pack Code:	- = Normal factory bulk packaging for OEM or volume delivery skid quantities, not for individual sale or distribution Y = Individual box packaging and stick on information label. Packed in quantities in an over pack carton, suitable for individual sale or distribution. A to Z = Any assigned non standard packaging of OEM or Distribution.		
3	Pole Form Code:	= 1 : 1 Pole Normally Open Double Make w/ shunt = 2 : 2 Pole Normally Open Double Make = 3 : 3 Pole Normally Open Double Make = 4 : 4 Pole Normally Open Double Make	= 1N : 1 Pole Normally Open Double Make (no shunt) = 3E 2 form X NO , 1 from Y NC = 3R 3 pole reversing assembly = 4E 2 form X NO, 2 form Y NC	
4	Coil Voltage Code:	24 = 24 VAC 120 = 120 VAC 240 = 208 / 240 VAC 277 = 277 VAC 380 = 380 VAC 480 = 480 VAC		
5	Contact Rating Code:	20 = 20 FLA 25 = 25 FLA 30 = 30 FLA	35 = 35 FLA 40 = 40 FLA 50 = 50 FLA	60 = 60 FLA 75 = 75 FLA 90 = 90 FLA
6	Termination Code:	AA = Std. #10-32 Combo Screw (one and two pole) Quad 1/4" Q.C. BB = Same as AA except optional SEMS plate CC = #14 to 4 LUG w/ dual Q.C. 40 FLA DD = Std. #10-32 Combo Screw NO QC TERMINALS EE = SEMS COMBO SCREW W/O QC TERMINALS FF = #14 to 4 LUG W/O QUICK CONNECT TERMINALS GG = #14 to 4 LUG W/QUAD QUICK CONNECT TERMINALS 40 FLA Three Pole standard termination is designated by: CY = Standard #10-32 Combination Screw for 20 - 35 amp w/ dual .250" Q.C. terminals CG = #14 - 2 Lug w/ dual Q.C. for 40 FLA CJ = #14 - 2 / #14-1 Lug with dual Q.C. terminals NN = #10 screws only no quick connects XX = Other Combinations as specials & factory assigned designators made from existing termination listing AB = exclusive for 3 pole reversing assembly		
7	Customer Designation:	100 - 999 Hecheng electrical assigned customer specific designation for a qualified customer special in marking, termination, or other significant variation from the standard construction. When blank, no options apply.		
8	Cover Option:	'C' indicates the addition of a cover when one is not standard.		



1 Pole

FLA	Locked Rotor Amps				Non Inductive Amps	Poles
	240V	277V	480V	600V		
20	120	110	100	80	25	1
25	150	150	100	80	35	1
30	180	180	150	120	40	1
35	180	180	150	120	50	1
40	240	240	200	160	55	1



2 Pole

FLA	Locked Rotor Amps				Non Inductive Amps	Poles
	240V	277V	480V	600V		
20	120	120	100	80	30	2
25	150	150	125	100	35	2
30	180	180	135	110	40	2
35	200	200	135	110	50	2
40	240	240	200	160	55	2

Definite Purpose Contactor Features

Compact Size
 Weld-resistant Silver Cadmium Oxide Contacts
 Reinforced Thermoset Polyester Housing
 Quiet Operation
 Contact Covers and Taped Coils are Standard
 Power Terminations options:
 Lugs
 SEMS clamp
 Binding Head screws (standard)
 Quick Connects (standard)

Standard Class B Coil Insulation
 Contact Covers Available for Increased Protection
 One Pole Version Includes Jumper Bar
 Replacement Coils and Contact Kits Not Available
 Meets:
 ARI – 780
 UL File E246810
 CSA File 256361
 CE Approved

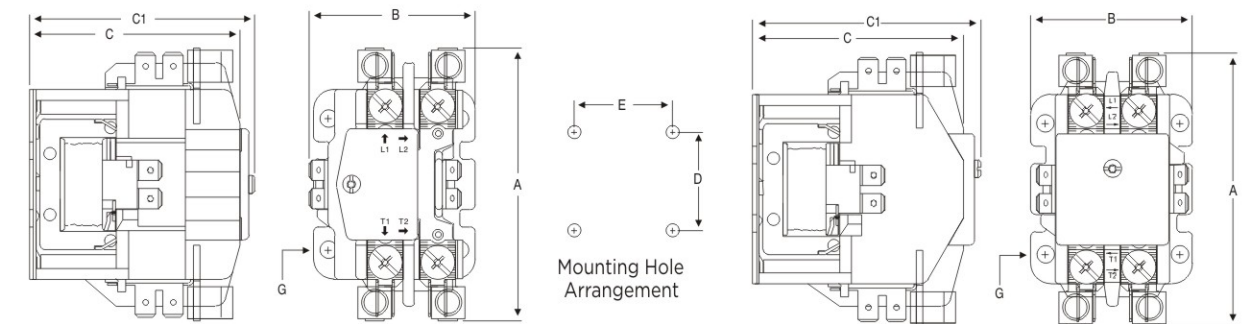
Coil Voltages Table

50/60 Hz	24	120	208/240	277	380	480

Coil Data

Poles	FLA	Watts	VA (Nominal)		Volts (Nominal)	
			Inrush	Sealed	Pick-up	Drop-out
1P-2P	20-40	2.6	27	7.3	80%	50%

Dimensions



20 - 40 Amp 1-pole

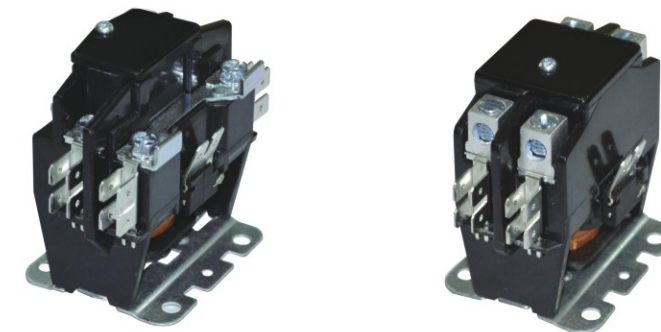
20 - 40 Amp 2-pole

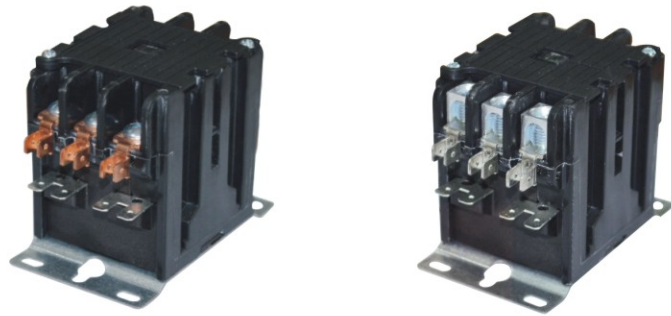
Open Type

FLA	Poles	Outline Dimensions				Mtg Dimensions		Mtg Screw	Max Wire Size	Approx Ship Wt Lbs
		A	B	C	C1	D	E			
20-40	1	3 3/8	2 1/16	2 5/8	2 13/16	1 5/8	1 5/8	10	10	1
20-40	2	3 3/8	2	2 11/16	2 27/32	1 5/8	1 5/8	10	10	1

Permissible Ambient Temperature

-40°C to 65°C -40°F to 150°F





2 & 3 pole

FLA	120V		240V		480V		600V		Non Inductive Amps	Poles
	Hp	LRA	Hp	LRA	Hp	LRA	Hp	LRA		
25	2	150	3	125	-	100	-	7.5	35	2
	-		5		7.5		3			
30	2	180	5	150	-	120	-	10	40	2
	-		7.5		10		3			
40	3	240	7.5	200	-	160	-	15	50	2
	-		10		15		3			

Definite Purpose Contactor Features

- Compact Size
- Interchangeable Mounting on Durable Metal Back Plate
- Optional DIN Rail Mounting
- Weld-resistant Silver Cadmium Oxide Contacts
- Reinforced Thermoset Polyester Housing
- Quiet Operation Thanks to Cushioned Coil and Precision Fit Assembly
- Snap-On Electrical/Mechanical Interlocks
- Visual Contact Position Indication
- Power Terminations options:
 - Lugs (standard for 40A and above)
 - SEMS clamp
 - Binding Head screws (standard 25A-30A)
 - Quick Connects featuring One-Piece Durable Design (standard)
- Class F Coil Insulation
- Low VA Coils Standard for 25A – 40A
- Replacement Coils and Contact Kits is Available
- Meets:
 - ARI – 780
 - UL File E246810
 - CSA File 256361
 - CE Approved

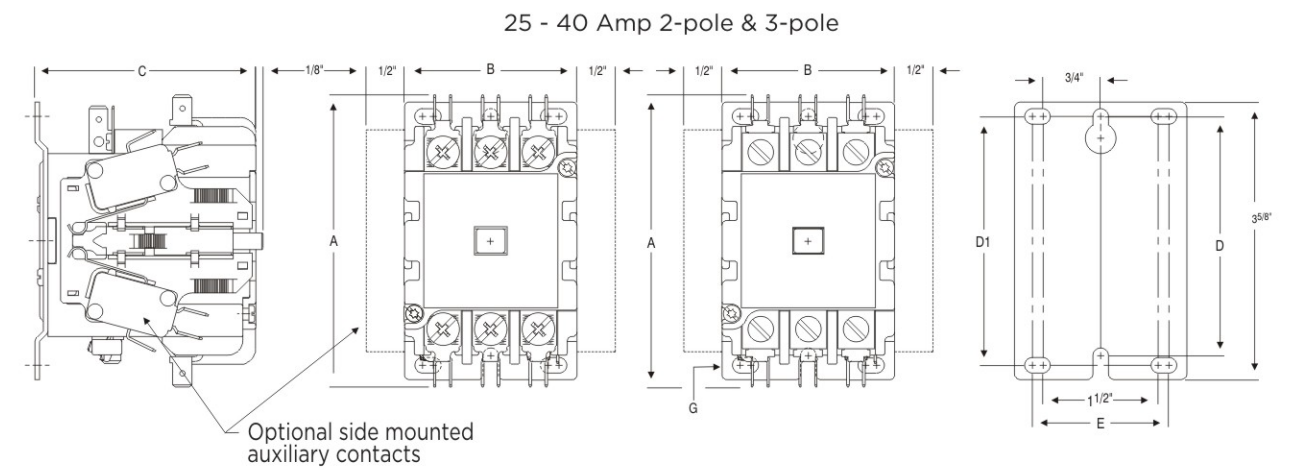
Coil Voltages Table

50/60 Hz	24	120	208/240	277	380	480
----------	----	-----	---------	-----	-----	-----

Coil Data

Poles	FLA	Watts	VA (Nominal)		Volts (Nominal)	
			Inrush	Sealed	Pick-up	Drop-out
2P-3P	25-40	2.5	52	6.2	80%	50%

Dimensions



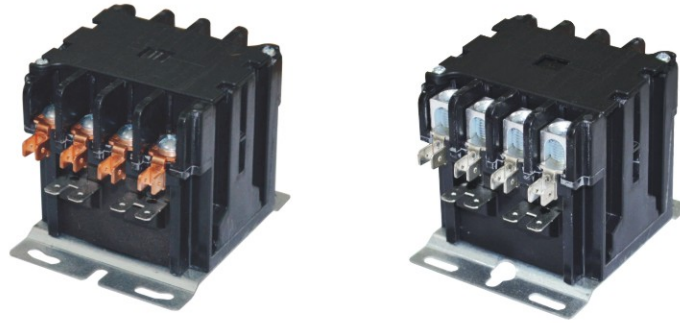
Open Type

FLA	Poles	Outline Dimensions			Mtg Dimensions			Mtg Screw G	Max Wire Size	Approx Ship Wt Lbs
		A	B	C	D	D1	E			
25-30	3	3 3/4	2 1/4	2 7/8	3 1/8	3 1/4	1 3/4	10	8	1 1/2
40	3	3 3/4	2 1/4	2 7/8	3 1/8	3 1/4	1 3/4	10	2	1 1/2

Permissible Ambient Temperature

-40°C to 65°C -40°F to 150°F





4 pole

FLA	120V		240V		480V		600V		Non Inductive Amps	Poles
	Hp	LRA	Hp	LRA	Hp	LRA	Hp	LRA		
25	-	150	5	125	7.5	100	7.5	35	4	
30	-	180	7.5	150	10	120	10	40	4	
40	-	240	10	200	15	160	15	50	4	

Definite Purpose Contactor Features

- Compact Size
- Interchangeable Mounting on Durable Metal Back Plate
- Optional DIN Rail Mounting
- Weld-resistant Silver Cadmium Oxide Contacts
- Reinforced Thermoset Polyester Housing
- Quiet Operation Thanks to Cushioned Coil and Precision Fit Assembly
- Snap-On Electrical/Mechanical Interlocks
- Visual Contact Position Indication
- Power Terminations options:
 - Lugs (standard for 40A and above)
 - SEMS clamp
 - Binding Head screws (standard 25A-30A)
 - Quick Connects featuring One-Piece Durable Design (standard)
- Class F Coil Insulation
- Low VA Coils Standard for 25A – 40A
- Replacement Coils and Contact Kits is Available
- Meets:
 - ARI – 780
 - UL File E246810
 - CSA File 256361

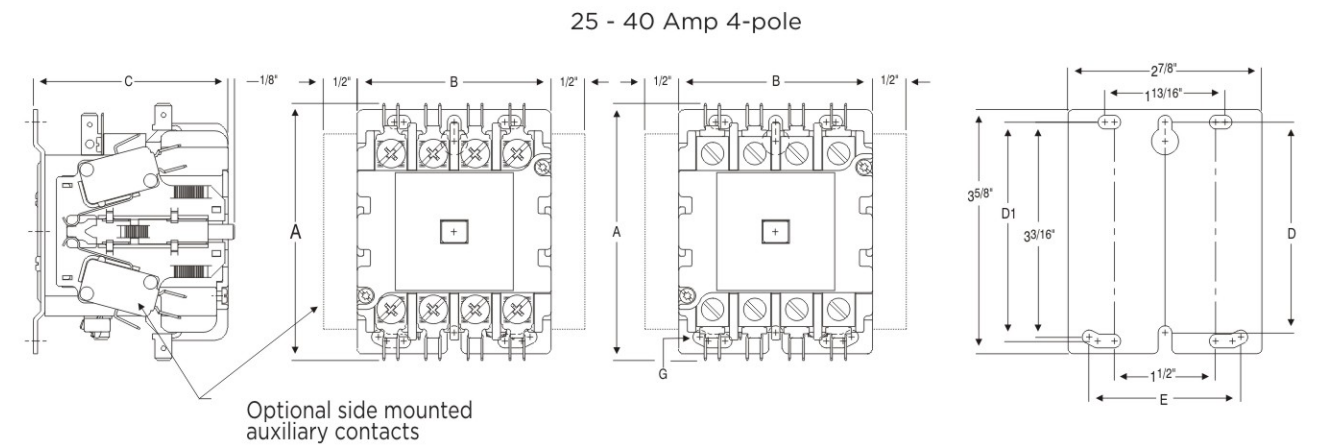
Coil Voltages Table

50/60 Hz	24	120	208/240	277	380	480
----------	----	-----	---------	-----	-----	-----

Coil Data

Poles	FLA	Watts	VA (Nominal)		Volts (Nominal)	
			Inrush	Sealed	Pick-up	Drop-out
4P	25-40	4.2	91	15.6	80%	50%

Dimensions



Open Type

FLA	Poles	Outline Dimensions			Mtg Dimensions			Mtg Screw	Max Wire Size	Approx Ship Wt Lbs
		A	B	C	D	D1	E			
25-30	4	3 3/4	2 7/8	2 7/8	3 1/8	3 1/4	2 1/4	10	8	1 1/2
40	4	3 3/4	2 7/8	2 7/8	3 1/8	3 1/4	2 1/4	10	2	2

Permissible Ambient Temperature

-40°C to 65°C -40°F to 150°F





2 & 3 pole

FLA	120V		240V		480V		600V		Non Inductive Amps	Poles
	Hp	LRA	Hp	LRA	Hp	LRA	Hp	LRA		
50	3	300	10	300	-	200	-	30	63	2
	-		15		30		3			
60	5	360	10	300	-	240	-	40	75	2
	-		20		40		3			

Definite Purpose Contactor Features

- Compact Size
- Interchangeable Mounting on Durable Metal Back Plate
- Optional DIN Rail Mounting
- Weld-resistant Silver Cadmium Oxide Contacts
- Reinforced Thermoset Polyester Housing
- Quiet Operation Thanks to Cushioned Coil and Precision Fit Assembly
- Snap-On Electrical/Mechanical Interlocks
- Visual Contact Position Indication
- Power Terminations options:
 - Lugs (standard)
 - SEMS clamp
 - Binding Head screws
 - Quick Connects
- Class F Coil Insulation
- Replacement Coils and Contact Kits is Available
- Meets:
 - ARI – 780
 - UL File E246810
 - CSA File 256361

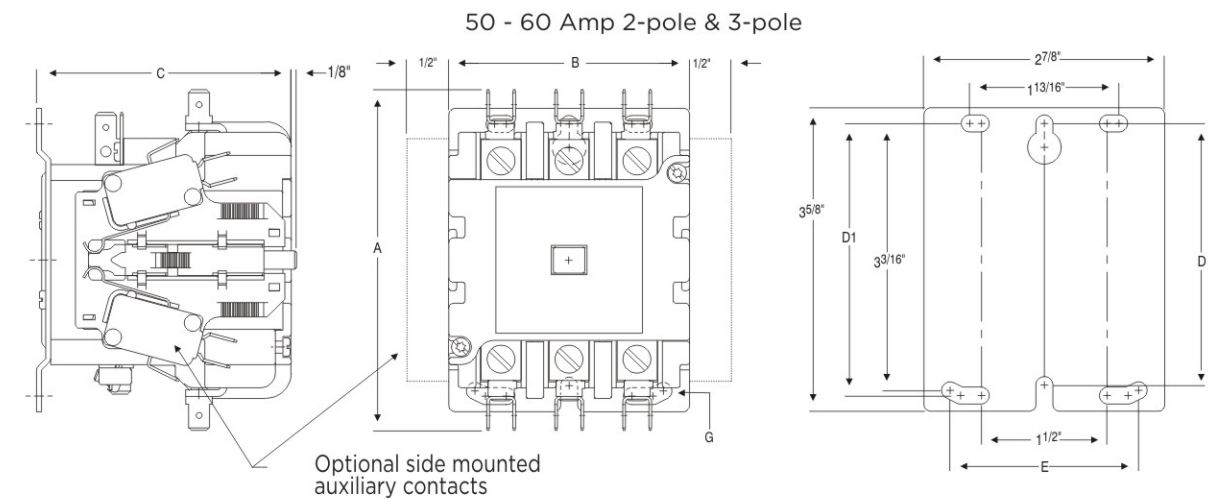
Coil Voltages Table

50/60 Hz	24	120	208/240	277	380	480
----------	----	-----	---------	-----	-----	-----

Coil Data

Poles	FLA	Watts	VA (Nominal)		Volts (Nominal)	
			Inrush	Sealed	Pick-up	Drop-out
2P-3P	50-60	4.2	91	15.6	80%	50%

Dimensions



Open Type

FLA	Poles	Outline Dimensions			Mtg Dimensions			Mtg Screw G	Max Wire Size	Approx Ship Wt Lbs
		A	B	C	D	D1	E			
50-60	3	4 1/16	2 7/8	3 1/16	3 1/8	3 1/4	2 1/4	10	2	1 1/2

Permissible Ambient Temperature

-40°C to 65°C -40°F to 150°F





2 & 3 pole

FLA	120V		240V		480V		600V		Non Inductive Amps	Poles
	Hp	LRA	Hp	LRA	Hp	LRA	Hp	LRA		
75	-	450	-	375	-	40	-	300	93	2 3
90	-	540	-	450	-	60	-	360	120	2 3

Definite Purpose Contactor Features

- Compact Size
- Durable Metal Back Plate
- Weld-resistant Silver Cadmium Oxide Contacts
- Reinforced Thermoset Polyester Housing
- Quiet Operation Thanks to Cushioned Coil and Precision Fit Assembly
- Available Electrical/Mechanical Interlocks
- Power Terminations options:
 - Lugs (standard)
 - SEMS clamp
 - Binding Head screws
 - Quick Connects
- Replacement Coils and Contact Kits is Available
- Meets:
 - ARI – 780
 - UL File E246810
 - CSA File 256361

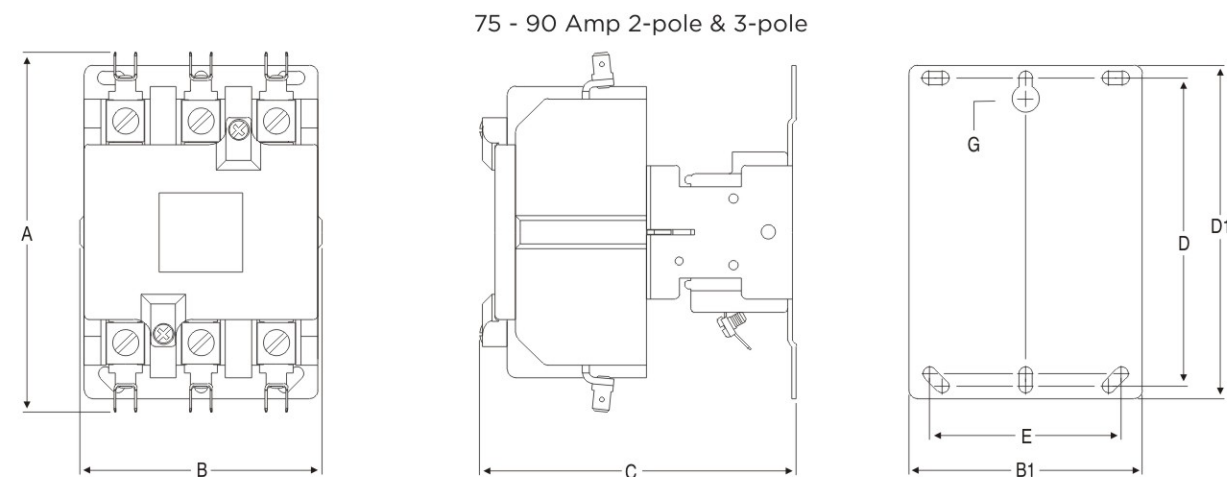
Coil Voltages Table

50/60 Hz	24	120	208/240	277	380	480
----------	----	-----	---------	-----	-----	-----

Coil Data

Poles	FLA	Watts	VA (Nominal)		Vofis (Nominal)	
			Inrush	Sealed	Pick-up	Drop-out
2P-3P	75-90	13.5	200	31	85%	53%

Dimensions



Add 3/16" on each end for auxiliary

Mounting Hole Pattern

Open Type

FLA	Poles	Outline Dimensions				Mtg Dimensions			Mtg Screw G	Max Wire Size	Approx Ship Wt Lbs
		A	B	B1	C	D	D1	E			
75-90	3	5 3/8	3 5/8	3 1/2	4 3/4	4 5/8	5	2 7/8	10	1/0	3 1/2

Permissible Ambient Temperature

-40°C to 65°C -40°F to 150°F



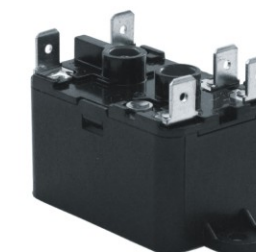


Field Modification Kits

Description	Poles	Contactor FLA	Auxiliary Contacts	Catalog Number
Snap-on Side Mounted Auxiliary Contacts	2P-3P	25-60	1 NO	HCACR0
			1 NC	HCACRC
			1 NO & 1NC	HCACR6
			2 NO	HCACR7
			2 NC	HCACR8
			1 SPDT	HCD36098001
	2 SPDT	HCD36098003		
	2P-3P	75-90	1 NO	HCD22125001
		1 NC	HCD22125002	
		1 SPDT	HCCE42SPDT	
Mechanical Interlock	2P-3P	25-60	-	HCD70035001

SPNO, SPDT, 1NO & 1NC Switching configurations

Class B insulation system
 .250" QC terminals
 Multi-positional mounting
 Double make contact configuration



PARTIAL LISTING OF AVAILABLE HCR-01 RELAYS

Coil Voltage	24 VAC	120 VAC	208/240 VAC
SPNO	HCR-011XQ1AB	HCR-011XT1AB	HCR-011XU1AB
SPDT	HCR-011CQ1AB	HCR-011CT1AB	HCR-011CU1AB
1NO & 1NC	HCR-011ZQ1AB	HCR-011ZT1AB	HCR-011ZU1AB

HCR-01 NOMENCLATURE

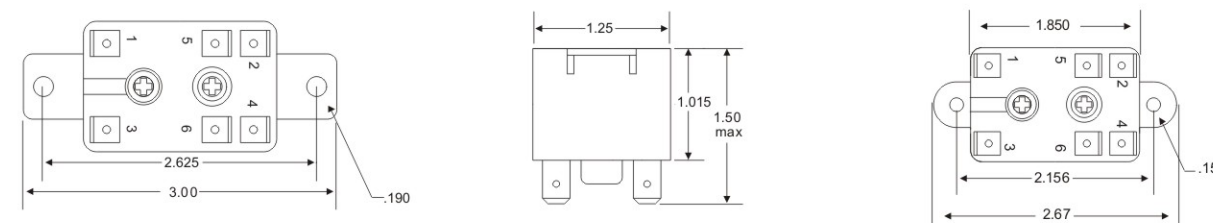
HCR	-	01	1X	Q	1	AB	000
Series	Packaging	Relay Type	Pole Form	Coil Voltage	Contact Rating	Mounting	Custom Identification
Hecheng Relay	-Factory Bulk Box Y Individual Pack Box	01	1X SPNO 1C SPDT 1Z 1NO&1NC	Q 24 VAC T 120 VAC U 208/240 VAC V 277 VAC	1 Power Rating 2 Pilot Duty	AB 2.156 mfg. ctr. AC 2.156 mfg. ctr.	000-999 Optional Customer Number

CONTACT DATA Arrangement	SPNO, SPDT, 1NO & 1NC	SPECIFICATIONS Temperature Range	-55 to +125°C
Contact Material	Silver Cadmium Oxide Alloy	Unit Weight	.19 lb
Power Rating	12 FLA 60 LRA 18 Amps Resistive @ 125 VAC 8 FLA 48 LRA 18 Amps Resistive @ 240/277 AC	Power Pole Terminations	.250" QC
SPST-NO only	25 Amps Resistive @ 277 VAC	Coil Termination	.250" QC
Pilot Duty Rating	3 Amps, 277 VAC 125 VA @ 125 VAC 250 VA @ 250 VAC 277 VA @ 277 VAC	Mechanical Life Expectancy	1 million operations
		Electrical Life Expectancy	250,000 Operations - resistive 100,000 Operations - inductive
		COIL Nominal Coil Power	DC 2.4W AC 4.0VA

COIL VOLTAGE / RELAY PERFORMANCE

Coil ID Letter	Nominal Coil Voltage VAC	Pick Up Voltage VAC	Drop Out Voltage VAC	Maximum Coil Voltage VAC	Nominal Coil Resistance Ohms	Sealed VA (maximum)	Inrush VA
Q	24	20.4	4.8	26.4	77	4	5
T	120	102	24	132	1,800	4	5
U	208/240	176	48	264	7,000	4	5

DIMENSIONS (inches)



SPNO, SPDT, DPNO, & DPDT Switching configurations

Class B insulation system
 .250" QC terminals
 Multi-positional mounting



PARTIAL LISTING OF AVAILABLE HCR-02 RELAYS

Coil Voltage	24 VAC	120 VAC	208/240 VAC
SPNO	HCR-021AQ1AA	HCR-021AT1AA	HCR-021AUAA
SPDT	HCR-021CQ1AA	HCR-021CT1AA	HCR-021CUAA
DPNO	HCR-022AQ1AA	HCR-022AT1AA	HCR-022AUAA
DPDT	HCR-022CQ1AA	HCR-022CT1AA	HCR-022CUAA

HCR-02 NOMENCLATURE

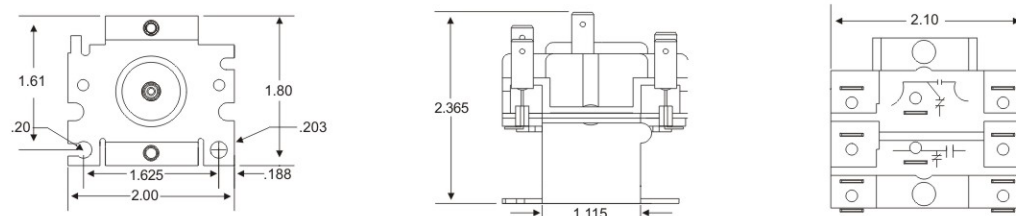
HCR	-	02	1X	Q	1	AB	000
Series	Packaging	Relay Type	Pole Form	Coil Voltage	Contact Rating	Mounting	Custom Identification
Hecheng Relay	-Factory Bulk Box Y Individual Pack Box	02	2A DPNO 2C DPDT 1C SPDT 1A SPNO	Q 24 VAC T 120 VAC U 208/240 VAC V 277 VAC	1 Power Rating 2 Pilot Duty	AA - Bracket mount	000-999 Optional Customer Number

CONTACT DATA		SPECIFICATIONS	
Arrangement	SPNO, SPNC, SPDT, DPNO, DPDT	Temperature Range	-55 to +125°C
Contact Material	Silver Cadmium Oxide Alloy	Unit Weight	.38 lb
Power Rating	3/4 HP 125/250 VAC 12 FLA 60 LRA 15A Res. @ 125 VAC 6 FLA 35 LRA 15A Res. @ 250/277	Power Pole Terminations	.250" QC
VAC	3 FLA 18 LRA 12.5A Res. @ 480 VAC 3 FLA 14 LRA 600VAC	Coil Termination	.250" QC
Pilot Duty Rating	1/10 HP 125/250 VAC 125 VA @ 125/250/480 VAC 3 Amp 277 VAC	Mechanical Life Expectancy	1 million operations
		Electrical Life Expectancy	250,000 Operations - resistive 100,000 Operations - inductive
		COIL	
		Nominal Coil Power	AC 9.5VA

COIL VOLTAGE / RELAY PERFORMANCE

Coil ID Letter	Nominal Coil Voltage VAC	Pick Up Voltage VAC	Drop Out Voltage VAC	Maximum Coil Voltage VAC	Nominal Coil Resistance Ohms	Sealed VA (maximum)	Inrush VA
Q	24	20.4	4.8	26.4	15	9.5	21.5
T	120	102	24	132	400	9.5	21.5
U	208/240	176	48	264	1,600	9.5	21.5

DIMENSIONS (inches)



Multiple mounting positions
 .250" QC or 8-32 screw terminals
 Class B insulation system



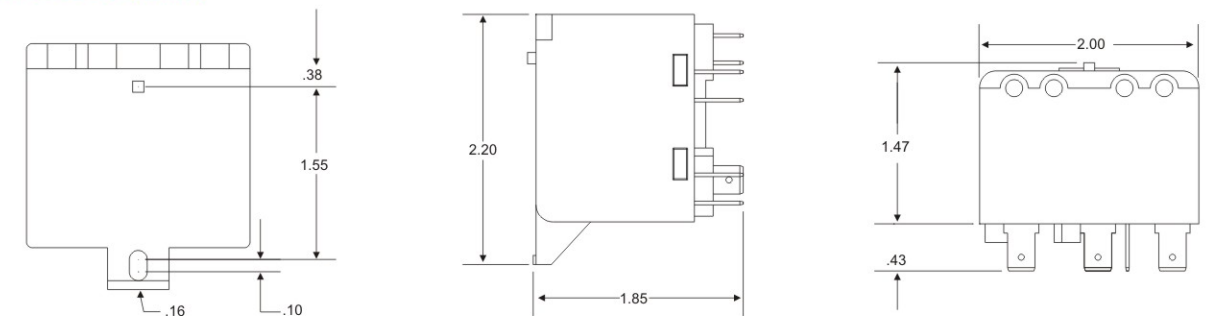
HCR-03 NOMENCLATURE

HCR	-	03	1	C	067	A	000
Series	Packaging	Relay Type	Mounting Position	Bracket Type	Coil Rating & Calibration	Termination	Custom Identification
Hecheng Relay	-Factory Bulk Box Y Individual Pack Box	03	Six positions available. See below for more details .	C Panel mount with tab D Panel mount without tab	see below for more details	A .250" QC B 8-32 screw	000-999 Optional customer number

*Consult factory for 50 Amp applications.

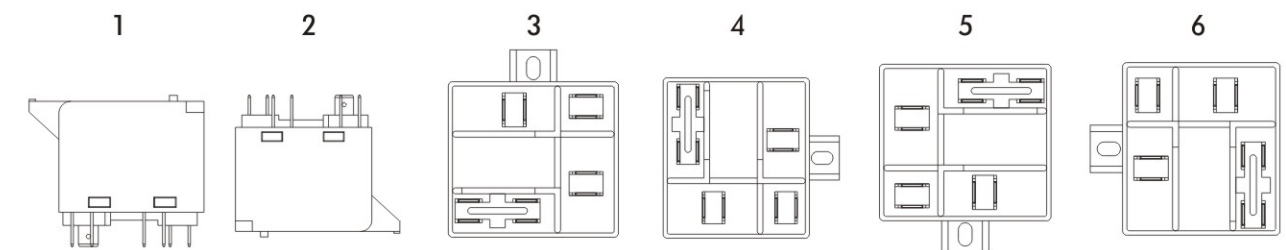
CONTACT DATA		SPECIFICATIONS	
Arrangement	SPNC	Dielectric Strength	1550 VAC
Contact Material	Silver Cadmium Oxide Alloy	(minimum between live parts and exposed non-current carrying metal parts)	
Contact Rating	35A (break only) 400 VAC 16A (make & break) 400 VAC	Current Draw	5 VA
Mechanical Life Expectancy	1,000,000 operations	Frequency	50 / 60 Hz
Electrical Life Expectancy	250,000 cycles breaking rated load	Unit Weight	.2 lb

DIMENSIONS (inches)



Mounting Positions

Relays are calibrated in specified positions - voltages may vary if relay is mounted in alternate position.



Coil Rating & Calibration Table

Select proper continuous coil voltage from top of appropriate column, select pick - up (PU) and drop-out (DO) voltages and insert relay calibration (RC) number in part number.

COIL #1 130 V 60 Hz 117 V 50 Hz* RES.@ 1480±10% 24°C			COIL #2 170 V 60 Hz 151 V 50 Hz* RES.@ 2040±10% 24°C			COIL #3 256 V 60 Hz 228 V 50 Hz* RES.@ 5100±10% 24°C			COIL #4 336 V 60 Hz 299 V 50 Hz* RES.@ 6800±10% 24°C		
RC#	PU	DO	RC#	PU	DO	RC#	PU	DO	RC#	PU	DO
1			2	159-172	20-77	3	240-269	45-95	4	243-271	55-125
8			9			10	259-288	45-95	11	261-290	55-125
15			16			17	278-306	45-115	18	280-309	55-125
22			23			24	296-325	45-115	25	299-327	55-125
29			30			31	315-343	45-115	32	317-345	55-125
36			37			38	323-352	45-115	39	326-354	55-125
43			44			45	333-363	45-115	46	335-364	55-125
50			51			52	285-305	MAX. 77	53	340-370	55-125
57	111-125	20-50	58	111-124	30-65	59	240-269	35-77	60	171-184	40-90
64	121-134	20-50	65	120-134	30-65	66	123-134	25-77	67	168-182	MAX. 90
71	130-143	20-55	72	130-144	30-65	73			74	180-195	40-90
78	139-153	20-55	79	140-153	30-65	80	136-150	45-90	81	219-253	40-115
85	149-163	20-55	86	149-163	30-65	87	150-163	45-90	88	152-166	55-115
92			93	159-172	30-65	94	159-172	45-90	95	162-175	55-115
99			100	168-182	30-65	101	168-182	45-95	102	171-184	55-115
106			107	178-192	30-75	108	178-192	45-95	109	180-193	55-115
113			114	139-153	MAX. 55	115	185-213	45-95	116	188-214	55-115
120			121			122	203-231	45-95	123	205-234	55-115
127			128			129	221-250	45-95	130	224-252	55-125
134			135			136	140-152	33-77	137	186-215	40-90
141	80-110	20-55	142			143	285-305	45-115	144	162-175	40-90
148	62-76	20-45	149			150	159-172	35-77	151	162-175	70-100
156			157			158	150-162	MAX. 77	159	243-271	40-90
163			164			165	136-150	MAX. 50	166	205-234	40-90
170			171			172	166-182	35-77	173	180-195	MAX. 105
178			179			180			181	224-252	40-90
185			186			187			188	280-309	55-100
									194	205-234	40-90
									198	152-166	40-90

COIL #5 395 V 60 Hz 338 V 50 Hz* RES.@ 9600±10% 24°C			COIL #6 420 V 60 Hz 378 V 50 Hz* RES.@ 12700±10% 24°C			COIL #7 495 V 60 Hz 452 V 50 Hz* RES.@ 15200±10% 24°C			COIL #8 214 V 60 Hz 193 V 50 Hz* RES.@ 2840±10% 24°C		
RC#	PU	DO	RC#	PU	DO	RC#	PU	DO	RC#	PU	DO
5	245-275	60-140	6	242-272	75-150	7	239-268	75-170	193	158-171	25-57
12	262-290	60-140	13	262-290	75-150	14	258-287	75-170	196	120-134	25-56
19	280-310	60-140	20	280-310	75-160	21	277-305	75-170	197	129-142	25-57
26	305-335	60-140	27	300-328	75-160	28	295-324	75-170			
33	187-208	60-130	34	318-347	75-160	35	314-342	75-180			
40	326-354	60-140	41	328-356	75-150	42	323-352	75-180			
47	335-365	60-140	48	337-366	75-160	49	332-361	75-180			
54	340-370	60-140	55	340-370	75-160	56	258-287	60-135			
61	180-195	40-105	62	300-328	75-121	63					
68	215-225	MAX. 120	69	300-328	MAX. 125	70	323-352	MAX. 135			
75	334-363	50-110	76	212-232	MAX. 121	77	277-305	75-150			
82	298-326	50-110	83	195-224	60-121	84	295-324	60-135			
89	189-205	60-130	90	204-233	60-121	91	325-345	MAX. 135			
96	162-175	50-100	97	260-290	60-121	98					
103	180-195	50-100	104	242-272	60-121	105					
110	180-195	60-130	111	180-195	60-121	112	239-268	60-135			
117	190-215	60-130	118	190-215	60-121	119	325-345	75-170			
124	208-239	60-130	125	204-233	75-150	126	277-305	60-135			
131	223-254	60-140	132	223-252	75-150	133					
138	245-275	MAX. 120	139	195-224	75-150	140					
145	208-239	MAX. 120	146	320-340	60-121	147					
152	260-275	MAX. 120	153	295-315	MAX. 195	154					
160	260-275	60-140	161	218-243	60-121	162					
167	215-225	60-130	168	205-234	40-90	169					
174	239-270	50-110	175	223-252	60-121	176					
182	208-239	50-110	183	295-315	MAX. 125	184					
189	224-252	60-121	190	280-310	60-121	191					
195	190-215	40-105	192	180-195	40-105						
200	279-308	50-110									

*For 50 Hz, add 300 to RC# - i.e. for 151 V 50 Hz, RC# 58 changes to 358.