

DESIGN

YOUR OWN NIGHTSTAND

Mix and match our styling options and make your very own nightstand. Each piece is tailor-made to meet your most specific requirements.



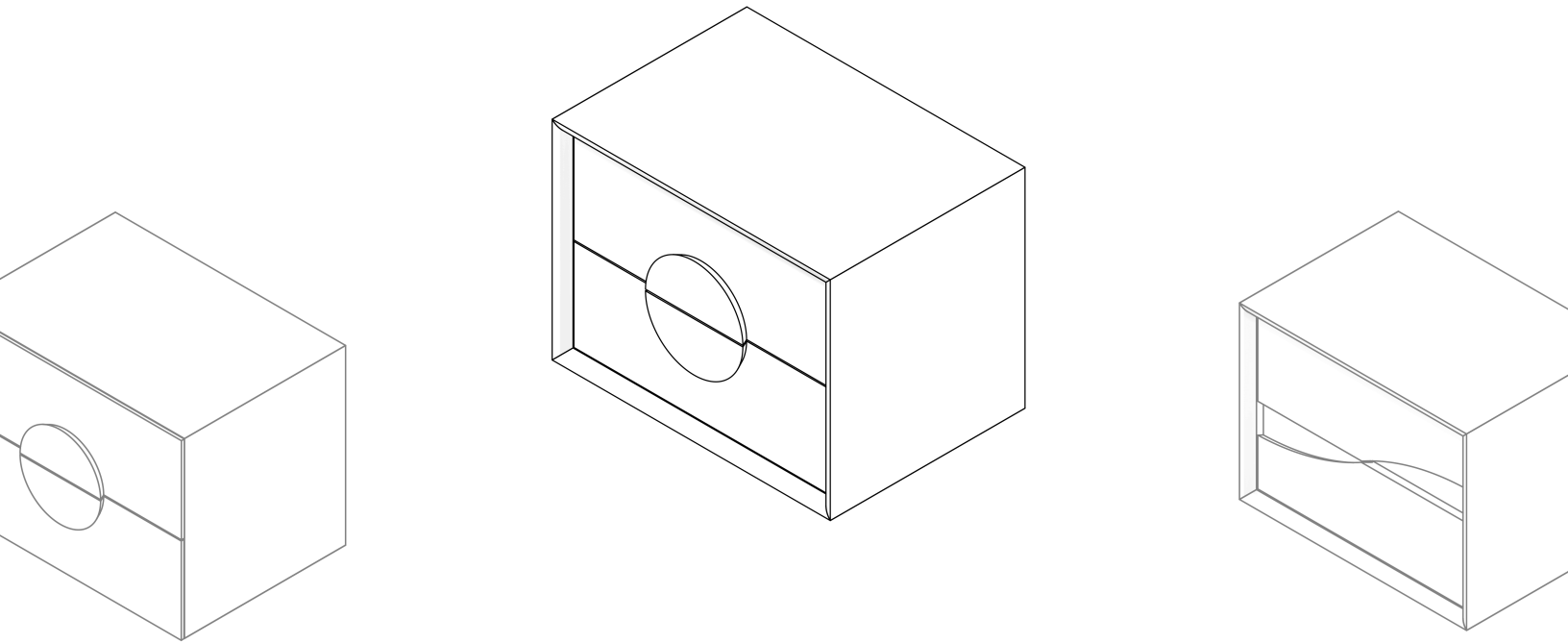
Caleth

A boutique design studio and manufacturer of customizable modern furniture.
www.caleth.co

HOW IT WORKS

Send us your preferred design options together with your preferred material, finish and measurements. We will get back to you with a personalized quote within 48 hours.

Each quote includes a complimentary 3D model and a detailed specification sheet confirming design choices and measurements.*

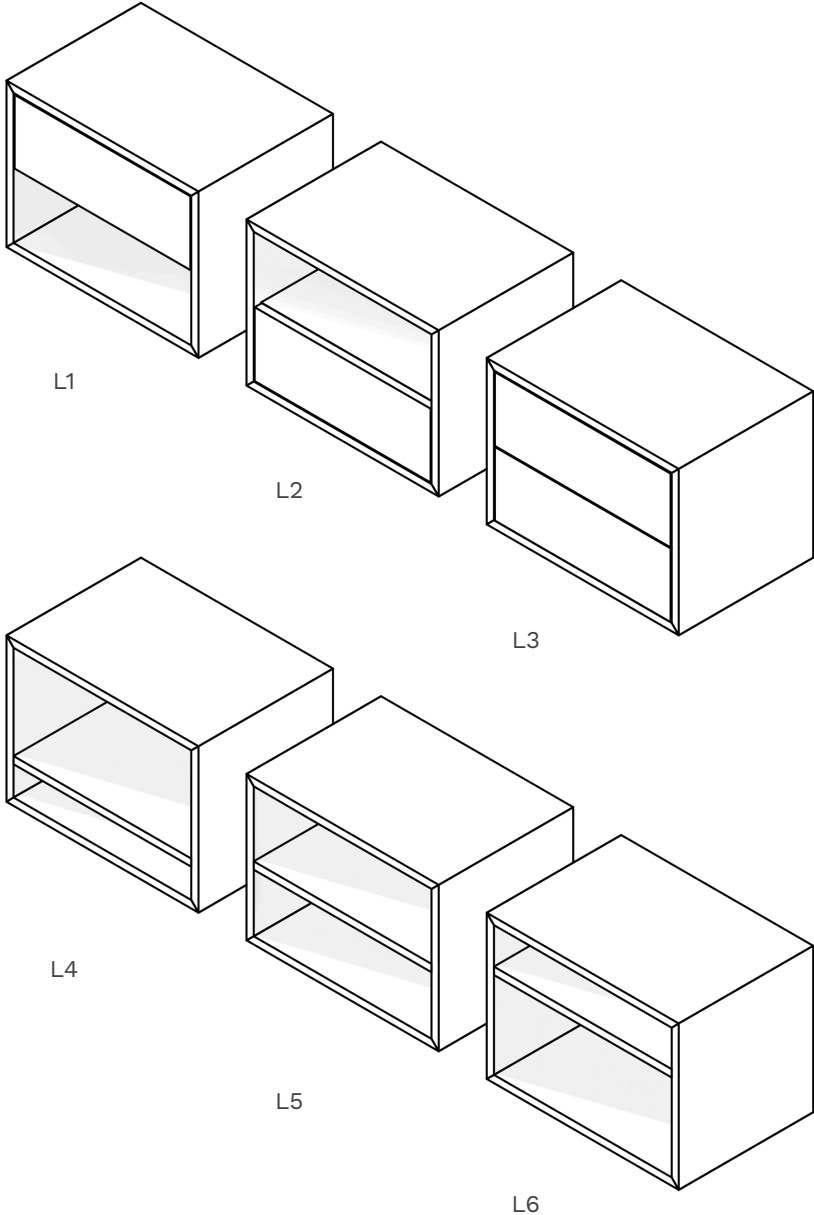


*Our complimentary 3D model includes up to 2 design variations and 1 size revision. Every additional model is \$100. Modeling fees are creditable towards your order up to \$200.

LAYOUT

Choose your layout. Drawer-, and shelf height can be determined at the next step.

- L1 - Top drawer
- L2- Bottom drawer w/ shelf
- L3 - Double drawer
- L4. Bottom shelf
- L5. Medium shelf
- L6. Top shelf



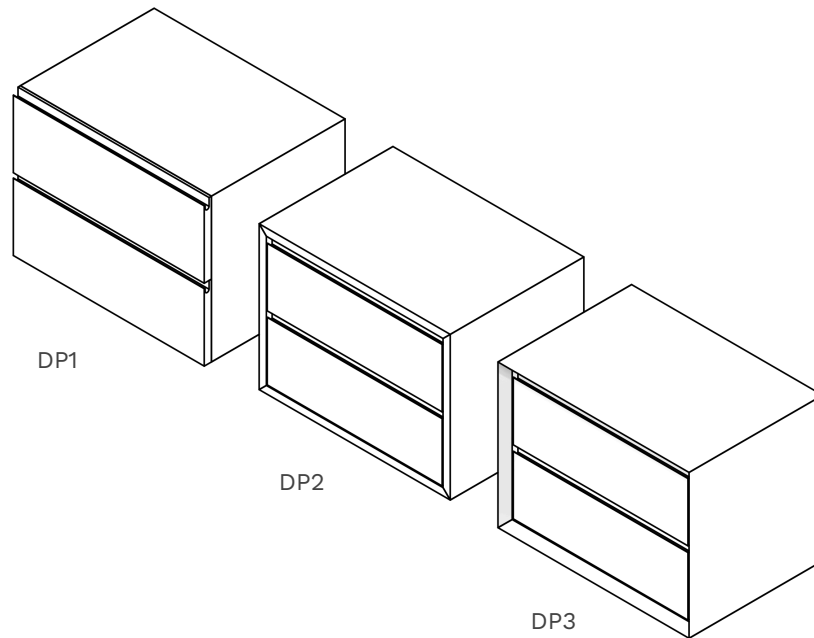
DRAWER PLACEMENT

Drawer placement is mainly an aesthetic choice, but it will also have an impact on the internal depth of the nightstand and the drawer faces that can be selected.

DP1 - Face*

DP2 - Inset

DP3 - Recessed



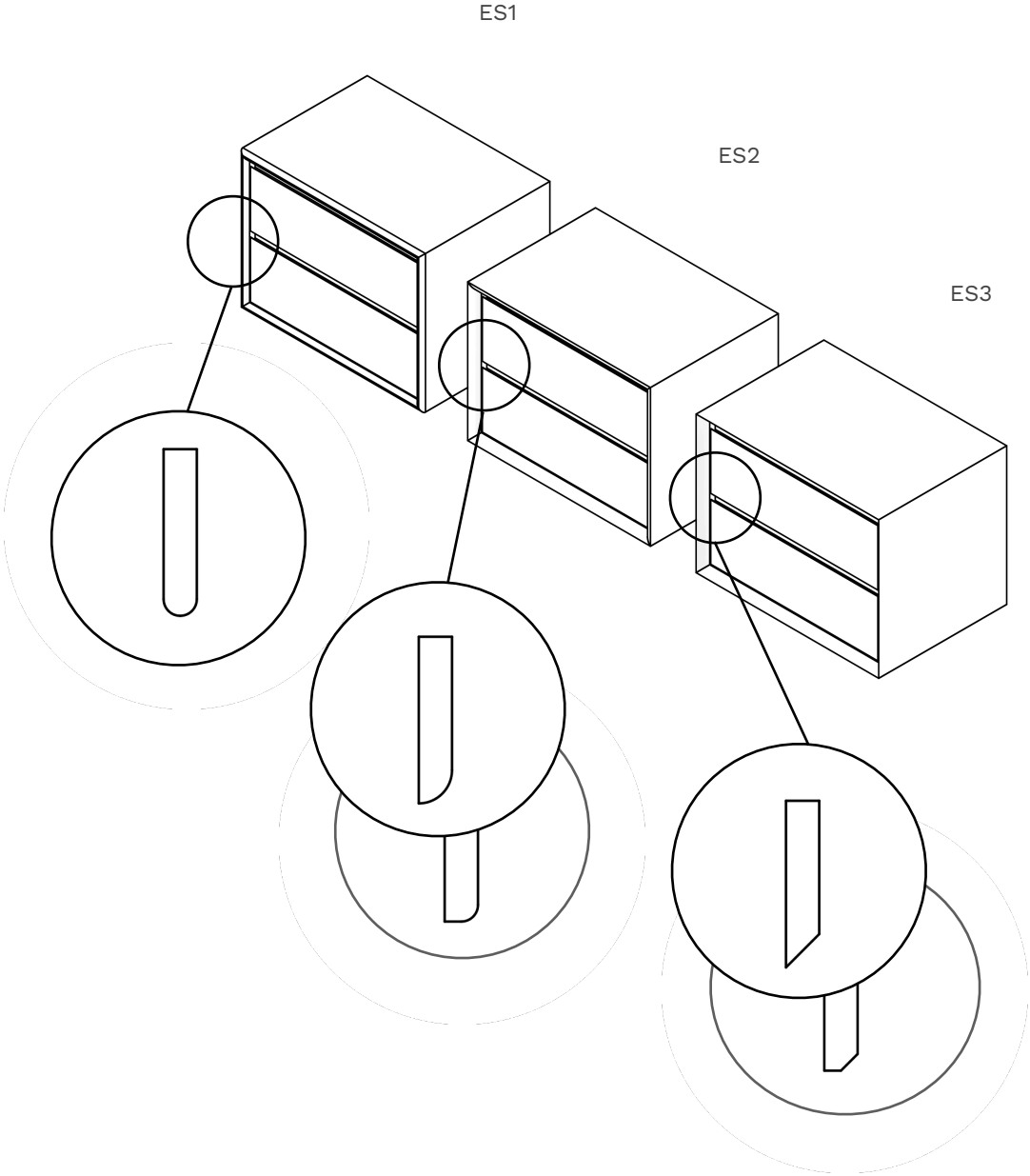
*Drawer face thickness (3/4") will be added to the overall depth of the nightstand

EDGE STYLE (RECESSED DRAWERS ONLY)

ES1 - Bullnose

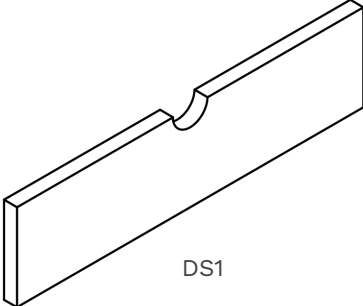
ES2 - Round over (partial available)

ES3 - Beveled (partial available)

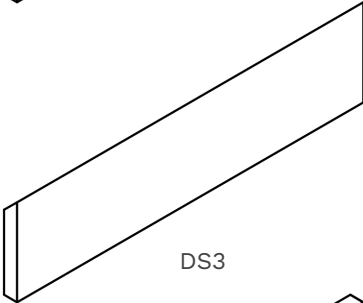
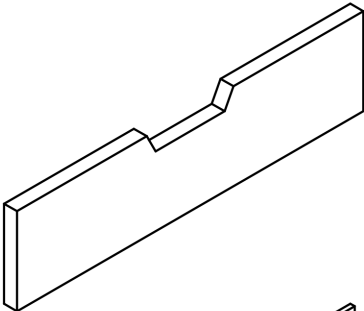


DRAWER STYLE

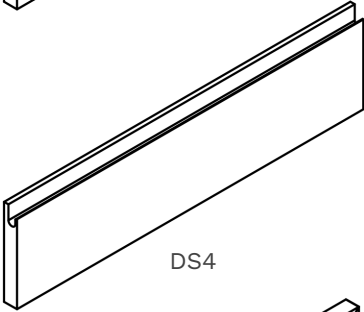
- DS1 - Cut out (round)
- DS2 - Cut out (straight)
- DS3 - Finger grooved
- DS4 - Beveled
- DS5 - Framed flat recessed
- DS6 - Framed reeded
- DS7 - Raised wave
- DS8 - Raised circle
- DS9 - Draw your own design*



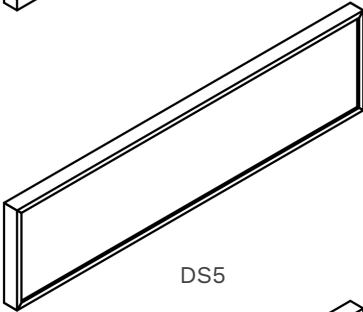
DS1



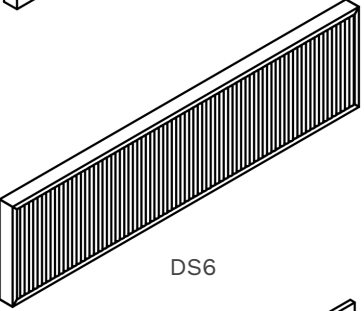
DS3



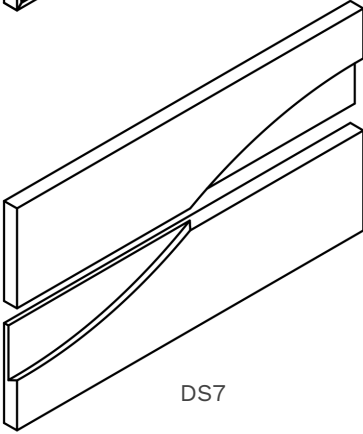
DS4



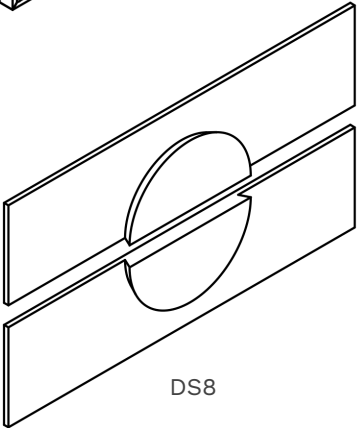
DS5



DS6



DS7



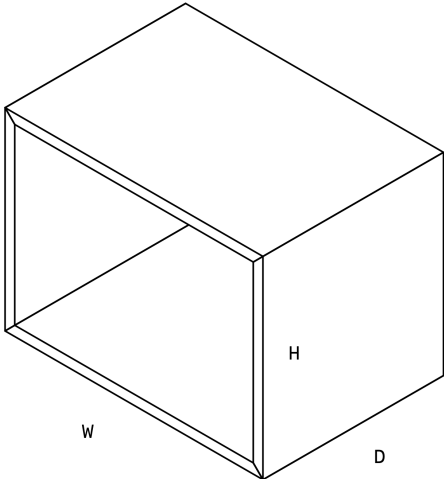
DS8

*Have something else in mind? Send us a sketch or an inspirational photo and we will work with you.

MEASUREMENTS

OVERALL MEASUREMENTS

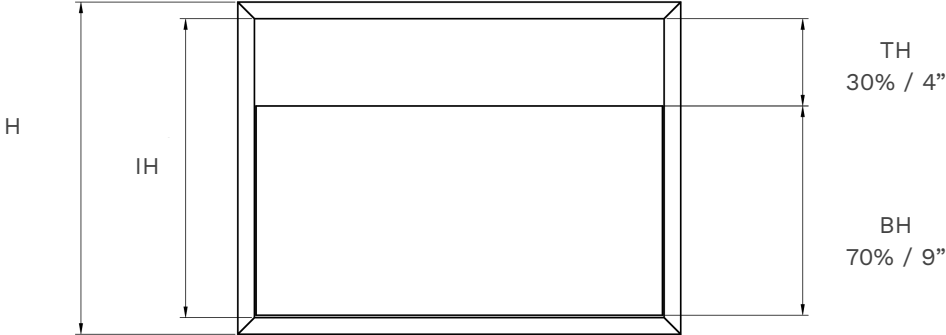
Determine your overall measurements: width (W) x depth (D) x height (H)



DRAWER / SHELF HEIGHT

You can determine your measurements in proportions or in actual dimensions.

Inside height (IH) = overall height (H) - 1.5".



MATERIALS, CONSTRUCTION

Every nightstands are built from premium kiln-dried 3/4" solid white oak or walnut with mitered joints creating a waterfall look with continuous grain patterns.

Shelves are made from the same 3/4" matching hardwood.

Drawer boxes are made from 1/2" birch plywood to maximize strength and space, and built with dowel joinery for a uniform look. The drawer face is made from hardwood, the drawer bottom is 5/32" hardwood plywood.

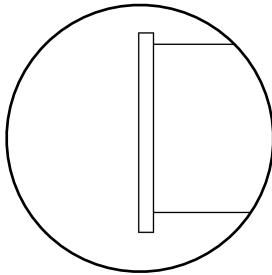
The drawers are installed with BLUM premium soft-close under-mount hardware.

OPTIONS

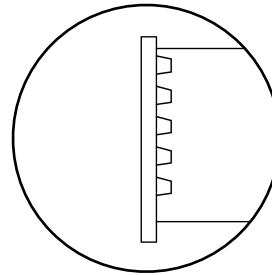
Drawer boxes are available with dovetail joinery for no added cost.

3/4" hardwood drawer boxes are available for an extra charge.

DOWEL JOINERY



DOVETAIL JOINERY



FINISH

The nightstands are finished with Rubio Monocoat's 0% VOC, natural hardwax-oil providing a highly durable surface while highlighting the natural beauty of the wood.

Samples are available for a flat fee of \$20 (fully creditable towards your order). The sample kits includes up to 3 variations of our standard finishes shown below. Other finishes are available for an extra charge.

WHITE OAK



Natural

WALNUT



Pure



Pure



Black

GET IN TOUCH

Should you have any questions or would like to get a quote, please contact us at hello@caleth.co or via our Etsy store.

PRODUCT CODE: _____

OVERALL DIMENSIONS: ____ (W) ____ (H) ____ (D)

INSIDE DIMENSIONS: ____ (TH) ____ (BH)

MATERIAL: _____

FINISH: _____

