



Technical Manual – Neo & Neo Ultimate Hubs

Table of Contents

1	General
1.1	Target Application
1.2	Safety
1.3	Warranty
1.4	Cleaning
1.5	Maintenance Intervals
2	Compatibility/Conversion
2.1	Compatibility/Conversion Charts
2.2	Bearing Specification and Part Numbers
3	Maintenance Instructions
3.1	Tools
3.2	Neo Front
3.2.1	End Cap Removal/Replacement
3.2.2	Front Hub Bearing Removal
3.2.3	Front Hub Bearing Installation
3.3	Neo Rear
3.3.1	End Cap Removal/Replacement
3.3.2	Freehub Replacement
3.3.3	Rear Hub Bearing Removal
3.3.4	Rear Hub Bearing Installation
3.3.5	Freehub Pawl & Spring Removal/Installation
3.3.6	Freehub Bearing Removal
3.3.7	Freehub Bearing Installation
3.4	Neo OS
3.4.1	OS Endcap Removal/Replacement
3.4.2	OS Front Hub Bearing Removal
3.4.3	OS Front Hub Bearing Installation
4	Hub Diagrams
	Neo Front
	Neo Rear
	Neo Freehubs
	Neo R
	Neo Endcap Specifications/Dimensions

1 General

1.1 Target Application

This manual contains all applicable information regarding Stan's NoTubes Neo series hubs. This includes the following: **Neo, Neo S, Neo OS, Neo Ultimate, Neo CL, Neo S CL, and Neo Ultimate CL, Neo R**

1.2 Safety

Proper assembly maintenance, and installation are necessary for all Stan's NoTubes Neo hubs and wheels. Incorrect assembly or installation can lead to accidents causing severe injuries or death.

1.3 Warranty

All Stan's NoTubes Neo series hubs are covered by a 3 year warranty against manufacturing defects. Warranty does not cover abuse, misuse, consequential damage resulting from incorrect or nonexistent maintenance, normal wear and tear, and improper installation. Warranties only apply to the original owner with valid sales receipt. If a product is found defective customer will receive, at the discretion of Stan's NoTubes, free repair or replacement.

1.4 Cleaning

The exterior of your Stan's NoTubes Neo hub should be cleaned regularly to prevent surface abrasions or discoloration which can occur from prolonged contact with acidic soils. A mild detergent is recommended for removal of surface oils and dirt. Further cleaning of the hub internals is outlined in the maintenance sections, respective to each hub model.

NOTICE: High-pressure water should *NOT* be used to clean a Neo hub. This can result in water infiltration past the bearing seals, and will reduce the life of the bearings.

O-ring and SealLock seal care: Water and a mild detergent (such as Dawn dish soap) and isopropyl alcohol are recommended to clean the o-rings and end cap seals of Stan's NoTubes Neo Hubs. Use of harsh chemicals will swell and degrade the o-ring/seal.

1.5 Maintenance Intervals

Periodic inspection and cleaning of your Neo hubs will keep them in excellent working condition. When inspecting the hub, make sure there is not excessive play in the wheel and that the bearings roll smooth. If the wheel is loose or the bearings roll rough one or more cartridge bearings may be worn. Check the freehub for smooth rotation and proper engagement. Utilize the Table 1 on the next page, to estimate service intervals for all Stan's NoTubes Neo hubs:

Table 1: Service Intervals for Stan's NoTubes Neo hubs

Service Interval				
	Every Ride	Every Month	Every 6 months	As needed
Front Hub				
Clean Exterior	●			
Endcap Remove/Clean		●		
Cartridge Bearing Replace				●
Rear Hub				
Clean Exterior	●			
Endcap Remove/Clean		●		
Freehub Remove/Clean/Lubricate			●	
Cartridge Bearing Replace				●

2 Compatibility/Conversion

Stan's NoTubes Neo hubs are available in multiple axle configurations and can be converted to fit most popular axle standards found on today's road and mountain bikes.

2.1 Compatibility/Conversion Charts

Utilize the tables 2 and 3 on the next pages to determine axle standard compatibility for each Neo hub model.

Table 2: Stan's NoTubes Neo Hub Axle Standard Compatibility Chart

Hub	Front							Rear							Freehub						
	9x100mm QR	9x100mm Thru Bolt	12x100mm Thru Axle	15x100mm Thru Axle	15x110mm Thru Axle	20x110mm Thru Axle	15mm Torque Cap	10x130mm QR	10x135mm QR	10x135mm Bolt-On	10x135mm Thru Bolt	12x135mm Thru Axle	10x141mm QR	12x142mm Thru Axle	12x148mm Thru Axle	12x150mm Thru Axle	12x157mm Thru Axle	Shimano/SRAM 9/10/11	Campagnolo 9/10/11	SRAM XD	Singlespeed
Neo	✓	✓	✓	✓			✓	✓	✓	✓	✓		✓			✓ ¹	✓ ¹	✓	✓	✓	
Neo OS	✓	✓	✓	✓		✓	✓														
Neo (Boost)					✓		✓						✓		✓			✓	✓	✓	
Neo CL	✓	✓	✓	✓				✓			✓	✓		✓				✓	✓	✓	
Neo CL (Boost)					✓								✓		✓			✓	✓	✓	
Neo Singlespeed									✓	✓	✓	✓		✓							✓
Neo S	✓	✓	✓	✓			✓	✓	✓	✓	✓		✓					✓	✓	✓	
Neo S CL	✓	✓	✓	✓				✓			✓	✓		✓				✓	✓	✓	
Neo Ultimate	✓	✓	✓	✓			✓	✓	✓	✓	✓		✓					✓	✓	✓	
Neo Ultimate (Boost)					✓		✓						✓		✓			✓	✓	✓	
Neo Ultimate CL	✓	✓	✓	✓				✓			✓	✓		✓				✓	✓	✓	
Neo Ultimate CL (Boost)					✓								✓		✓			✓	✓	✓	
Neo Ultimate Singlespeed									✓	✓	✓	✓		✓							✓
Neo R	✓							✓										✓	✓	✓	

¹ 150/157mm hubs use a wider hubshell and therefore are not compatible with any other spacing

Table 3: Stan's NoTubes Neo Hub End Cap Conversion Charts

Hub	Front Hub End Cap Kit Part Numbers						
	9x100mm QR	9x100mm Thru Bolt	12x100mm Thru Axle	15x100mm Thru Axle	15mm Torque Cap	15x110mm Thru Axle	20x110mm Thru Axle
Neo	ZH0772 ¹	ZH0773	ZH0774	ZH0771	ZH0985		
Neo OS	ZH0777	ZH0982	ZH0983	ZH0776	ZH0984		ZH0775
Neo (Boost)					ZH0985	ZH0771	
Neo CL	ZH0954 ²	ZH0986	ZH0955	ZH0953			
Neo CL (Boost)						ZH0953	
Neo S	ZH0772 ¹	ZH0773	ZH0774	ZH0771	ZH0985		
Neo S CL	ZH0954 ²	ZH0986	ZH0955	ZH0953			
Neo Ultimate	ZH0772 ¹	ZH0773	ZH0774	ZH0771	ZH0985		
Neo Ultimate (Boost)					ZH0985	ZH0771	
Neo Ultimate CL	ZH0954 ²	ZH0986	ZH0955	ZH0953			
Neo Ultimate CL (Boost)						ZH0953	

¹ = Also available in another kit which includes a 100mm QR lever (ZH1607)

² = Also available in another kit which includes a 100mm QR lever (ZH1609)

Hub	Rear Hub End Cap Kit Part Numbers								
	10x135mm QR	10x135mm Bolt On	10x135mm Thru Bolt	12x135mm Thru Axle	12x142mm Thru Axle	10x141mm QR	12x148mm Thru Axle	12x150mm Thru Axle	12x157mm Thru Axle
Neo	ZH0780 ³	ZH0770 ⁵	ZH0781	ZH0778	ZH0779			ZH0778 ⁶	ZH0779 ⁶
Neo (Boost)						ZH0780	ZH0779		
Neo CL	ZH0957 ⁴		ZH0987	ZH0988	ZH0956				
Neo CL (Boost)						ZH0987	ZH0956		
Neo Singlespeed	ZH0780 ³	ZH0770 ⁵	ZH0781	ZH0778	ZH0779				
Neo S	ZH0780 ³	ZH0770 ⁵	ZH0781	ZH0778	ZH0779				
Neo S CL	ZH0957 ⁴		ZH0987	ZH0988	ZH0956				
Neo Ultimate	ZH0780 ³	ZH0770 ⁵	ZH0781	ZH0778	ZH0779				
Neo Ultimate (Boost)						ZH0780	ZH0779		
Neo Ultimate CL	ZH0957 ⁴		ZH0987	ZH0988	ZH0956				
Neo Ultimate CL (Boost)						ZH0987	ZH0956		
Neo Ultimate Singlespeed	ZH0780 ³	ZH0770 ⁵	ZH0781	ZH0778	ZH0779				

³ = Also available in another kit which includes a 135mm QR lever (ZH1608)

⁴ = Also available in another kit which includes a 135mm QR lever (ZH1610)

⁵ = Kit includes axle, end caps, and bolts

⁶ = 150/157mm hubs use a wider hubshell and therefore are not compatible with any other spacing

2.2 Bearing Specification and Part Numbers

Use Table 4 below to find the proper bearing size and quantity for your hub and Table 5 to find the corresponding part number for what you need. Stan's NoTubes offers two grades of bearing: chrome steel (stock in Neo, Neo OS, and Neo CL) and stainless steel (stock in Neo S, Neo Ultimate, and Neo Ultimate CL) - they are interchangeable.

Hub	Bearing Size and Quantity		
	Front*	Rear	Freehub**
Neo (includes Boost)	6902 (x2)	6902 (x2)	15267 (x2)
Neo OS	6804 (x2)	6902 (x2)	15267 (x2)
Neo CL	6902 (x2)	6902 (x2)	15267 (x2)
Neo Singlespeed		6902 (x2)	15267 (x2)
Neo S	6902 (x2)	6902 (x2)	15267 (x2)
Neo S CL	6902 (x2)	6902 (x2)	15267 (x2)
Neo Ultimate (includes Boost)	6902 (x2)	6902 (x2)	15267 (x2)
Neo Ultimate CL	6902 (x2)	6902 (x2)	15267 (x2)
Neo Ultimate Singlespeed		6902 (x2)	15267 (x2)

* = While Stan's NoTubes bearings are a standard size, they feature a machined groove on the inner race to aid in axle sleeve location and must be used in Neo series front hubs (see Section 3.2.3 for further detail)

** = All Neo series freehubs use the same bearings

Bearing Size	Stan's NoTubes Bearing Part Numbers	
	Chrome Steel	Stainless Steel
6902	ZH0816	ZH0817
6804	ZH0818	ZH0819
6900	ZH0958	ZH0959
15267	ZH0814	ZH0815

* = All Stan's NoTubes bearings are sold in pairs

3 Maintenance Instructions

This chapter contains detailed instructions for servicing a Stan's NoTubes Neo hub. This includes end cap removal, axle and bearing removal, freehub service, as well as reassembly of the hub. Careful adherence to these instructions is necessary to safely and reliably service a Neo hub.

3.1 Tools

Stan's NoTubes Neo series hubs are designed to be user-friendly and require a bare minimum of tools to service. Below is a list of what is needed to perform a complete service on a pair of Neo hubs:

- Bench Vise
- Clean, lint free rags
- Dumonde Tech Freehub Grease (or similar light-weight grease)
- Park Tool AV-5 Aluminum Axle Vise Insert
- 15mm Sealed Bearing Extractor (such as Wheels Manufacturing 15mm Sealed Bearing Extractor), and necessary tools
- $\frac{1}{4}$ " or $\frac{3}{8}$ ", or similar, Punch
- Hammer
- Soft-Faced Mallet
- Bearing Press (such as Wheels Manufacturing Press-1) with necessary installation drifts
- A small flathead screwdriver
- Isopropyl Alcohol
- Toothbrush
- Clean rag

3.2 Neo Front Hubs

Before performing maintenance service on a Stan's NoTubes Neo hub, clean the exterior of the hub in accordance with Section 1.4.

3.2.1 End Cap Removal/Replacement

1. Remove end caps:
 - For **Quick Release** End caps: Clamp one end cap in the **20mm** slot of the Park Tool AV-5. Gently oscillate the hub/wheel while lightly pulling upwards to unseat the cap. Repeat on the other end cap.



- For **15mm** End cap: Clamp one end cap in the **20mm** slot of the Park Tool AV-5. Gently rock the hub/wheel toward you to unseat the cap. Repeat on the other end cap.



2. Clean end caps before reinserting into the hub. (*Note: Cleansing of the end cap seals should be performed in accordance with Section 1.5 to prevent damaging them*). Ensure that the SealLock seals are positioned with their U-hook facing outwards from the hub body, as shown below. Install end caps, taking care to not pinch or fold the SealLock seal



3.2.2 Front Hub Bearing Removal

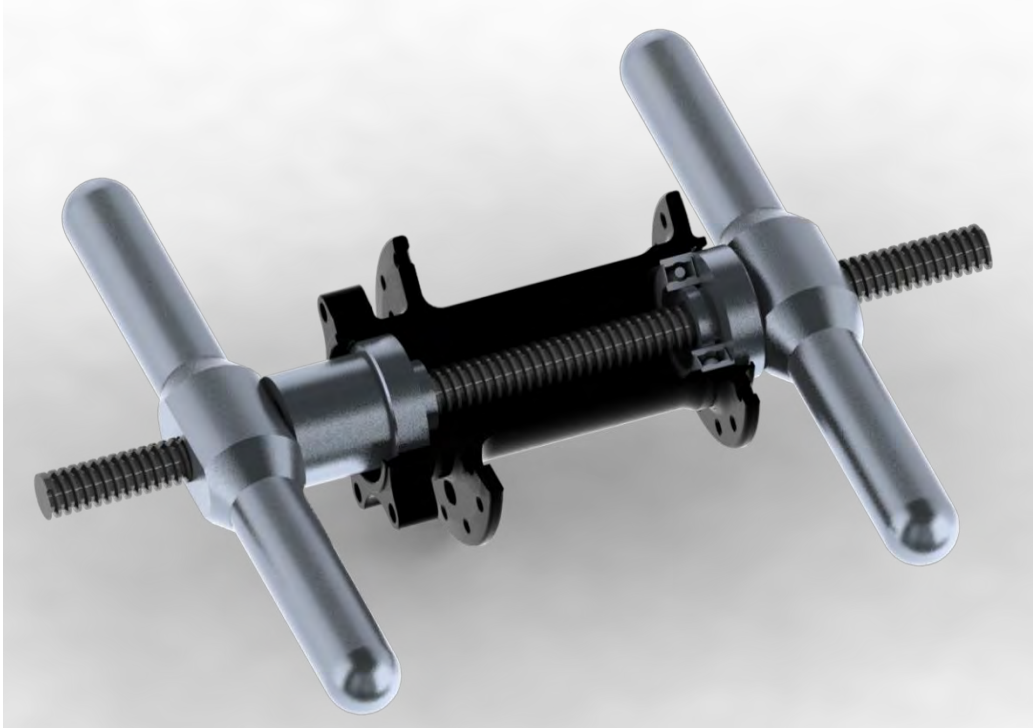
1. Remove end caps from hub using the procedures found in Step 1 of “End Cap Removal/Replacement
2. Insert 15mm Sealed Bearing Extractor into bearing and tighten with an open-end wrench. Tap the extractor and bearing out of the hub shell using a hammer and punch. (*Note: Perform this step over a rag as the bearing, extractor, and inner axle sleeve will fall from the hub shell when the bearing is removed.*)



3. Remove the inner axle sleeve.
4. Repeat step 2 to remove second bearing.

3.2.3 Front Hub Bearing Installation

1. Thoroughly clean hub shell bore, hub sleeve, and bearing exteriors with isopropyl alcohol and a clean rag.
2. Apply thin layer of grease to the non-drive side bearing bore and the outer race of the bearing.
3. Arrange the hub shell, bearing press, a 6902 open bore drift, and one 6902 bearing as shown below. (*Note: Installing one bearing at a time ensures the bearing is installed straight*).



4. Turn the handle clockwise to press the bearing into the hub until it is hand-tight and the bearing is fully seated in the hub shell (*Note: Overtightening can result in bearing damage*).
5. Apply thin layer of grease to the drive side bearing bore and the outer race of the bearing.
6. With the hub axis oriented vertically, insert the inner axle sleeve. *Note: The axle sleeve has a lip on one end. Insert axle sleeve lip-side down to locate in the groove on the bearing's inner race.*

(Continued on next)

7. Arrange the hub, bearing press, bearing drifts, and one 6902 bearing as shown below.

(Note: It is very important to keep the hub vertical and steady for this step. If the sleeve dislocates, it may damage the lips of the axle sleeve upon installation of the second bearing).



8. Turn the handle clockwise to press the bearing into the hub until it is hand-tight and the bearing is fully seated in the hub shell *(Note: overtightening can result in bearing damage).*

3.3 Neo Rear Hubs



Before performing maintenance service on a Stan's NoTubes Neo hub, clean the exterior of the hub in accordance with Section 1.4.

3.3.1 General Maintenance Disassembly

1. Remove end caps:

- Remove non-drive (disc side) endcap. Neo series endcaps are designed to be removed by hand. Should the endcap not come off easily (this is common with a brand-new, never disassembled hub) an axle vise may be needed.



- Remove axle and drive-side endcap by hand. If the axle will not remove by hand, tap on the exposed (non-drive) axle end with a soft-face hammer to dislodge.



2. Pull the freehub from the hub shell. Take care not to lose the small red spacer which sits between the freehub body and the drive-side bearing.
3. Using a small flathead screw driver, gently remove the co-molded freehub seal from the hub shell. Take care not to cut or pinch the edge of the seal.



3.3.2 General Maintenance Reassembly

1. Clean the drive ring, co-molded freehub seal, and freehub using isopropyl alcohol and a clean toothbrush. Apply a light coating of Dumonde Tech Freehub Grease to the axle, drive ring, and freehub pawls.
2. Install co-molded freehub seal into the groove adjacent to the drive ring in the hub shell.
3. Insert axle into hub.
4. Slide red spacer onto axle.

5. Install freehub by sliding onto the axle and twisting counter-clockwise to allow the freehub pawls to mesh with the drive ring. Take care not to cut the co-molded freehub seal.



6. Clean end caps with isopropyl alcohol, a toothbrush, and a clean rag.
7. Gently press end caps onto axle by hand (the flanged end cap goes on the non-drive side) . Take care not to pinch the o-ring inside each end cap as well as the v-seal on the non-drive side end cap

3.3.3 Rear Hub Bearing Removal

1. Disassemble hub by methods outlined in section 3.3.1 General Maintenance Disassembly.
2. Install 15mm Sealed Bearing Extractor into one of the bearings. Tap Extractor and bearing out of hub shell using punch and hammer, as shown in below. *(Note: Perform this step over a rag as the bearing, extractor, and inner axle sleeve will fall from the hub shell when the bearing is removed.)*



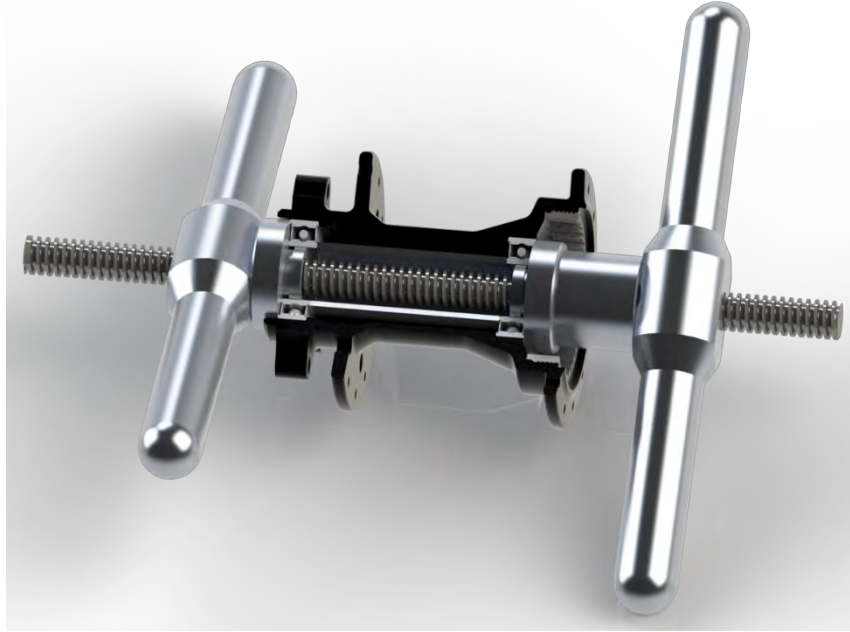
3. Repeat step 2 to remove second bearing.

3.3.4 Rear Hub Bearing Installation

1. Thoroughly clean hub shell bore, hub sleeve, and bearing exteriors with isopropyl alcohol and a clean rag.
2. Apply thin layer of grease to the non-drive side bearing bore.
3. Arrange the hub shell, bearing press, a pair of 6902 open bore drifts, and one 6902 bearing as shown below. *(Note: Installing one bearing at a time ensures the bearing is installed straight)*



4. Turn the handle clockwise to press the bearing into the hub until it is hand-tight and the bearing is fully seated in the hub shell. Note: Over-tightening can result in bearing damage.
5. Insert inner axle sleeve.
6. Arrange the hub shell, bearing press, drifts, and the second 6902 bearing as shown below.



7. Turn the handle clockwise to press the bearing into the hub until it is hand-tight and the bearing is fully seated in the hub shell. (Note: Over-tightening can result in bearing damage.)

3.3.5 Freehub Pawl & Spring Removal/Installation

1. Using a small flathead screw driver, pry the pawl retaining ring off of the freehub body.



2. Slide the pawls, and then pawl springs, out of their respective pockets in the freehub body.
3. Thoroughly clean the pawls, pawl springs, and pawl pockets in the freehub body with isopropyl alcohol, a toothbrush, and a clean rag.

4. Reassemble the freehub by first installing the pawl springs, and then the pawls. See below for proper arrangement. *(Note: In order to ensure proper freehub function, take care not to deform pawl springs during installation.)*



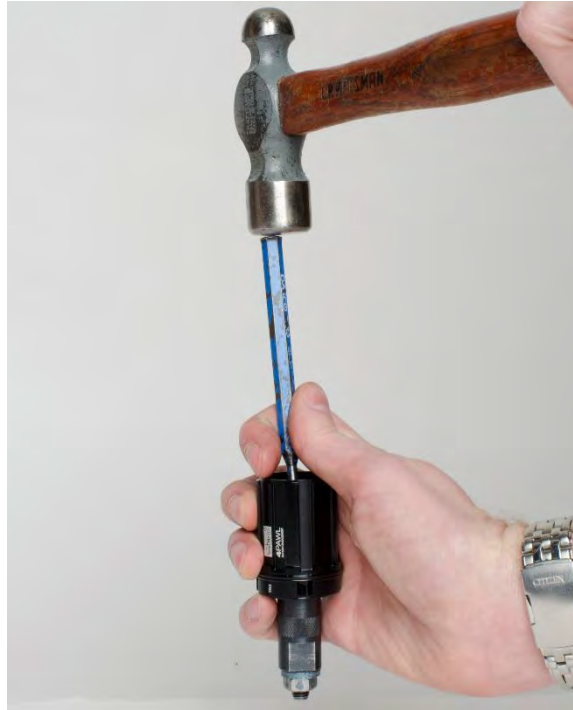
5. Install the pawl retaining ring into its groove in the freehub body.

3.3.6 Freehub Bearing Removal

1. Remove the pawl retaining ring, pawls, and pawl springs from the freehub body by methods outlined in Section 3.3.5 Freehub Pawl & Spring Removal/Installation.
2. Remove the rubber seal adjacent to the outboard bearing with a small flathead screwdriver



3. Insert 15mm Sealed Bearing Extractor into one of the freehub bearings. Tap Extractor and bearing out of hub shell using punch and hammer, as shown in the following image. *(Note: Perform this step over a rag as the bearing, extractor, and inner axle sleeve will fall from the hub shell when the bearing is removed.)*



4. Install 15mm Sealed Bearing Extractor in the second bearing. Tap Extractor and bearing out of hub shell using punch and hammer.

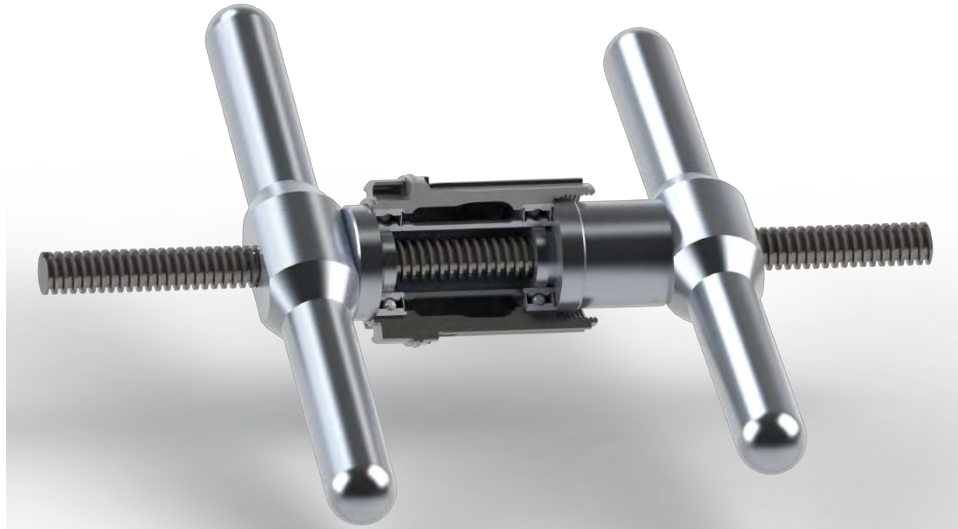
3.3.7 Freehub Bearing Installation

1. Thoroughly clean freehub body bore, freehub sleeve, and bearing exteriors with isopropyl alcohol and a clean rag.
2. Apply thin layer of grease to the outboard bearing bore.



3. Arrange the freehub body, bearing press, 15267 open bore drifts, and one 15267 bearing as shown below. *(Note: Installing one bearing at a time ensures the bearing is installed straight).*

4. Turn the handle clockwise to press the bearing into the hub until it is hand-tight and the bearing is fully seated in the hub shell. *(Note: Over-tightening can result in bearing damage.)*
5. Apply thin layer of grease to the inboard bearing bore.
6. Insert inner axle sleeve.
7. Arrange the freehub, bearing press, drifts, and the second 15267 bearing as shown below:



8. Turn the handle counter-clockwise to press the bearing into the hub until it is hand-tight and the bearing is fully seated in the hub shell. *(Note: Over-tightening can result in bearing damage.)*

Note: Small grooves and burrs from the cassette's contact with the freehub will not affect hub performance, and can be gently filed down to allow easier cassette installation. *(Note: Only light filing is needed; take care not to remove more material than necessary.)*



3.4 Front OS Hubs

Before performing maintenance service on a Stan's NoTubes Neo hub, clean the exterior of the hub in accordance with Section 1.4.

Additional Tools Required:

- 20mm Sealed Bearing Extractor, and necessary tools

3.4.1 OS End Cap Removal/Replacement

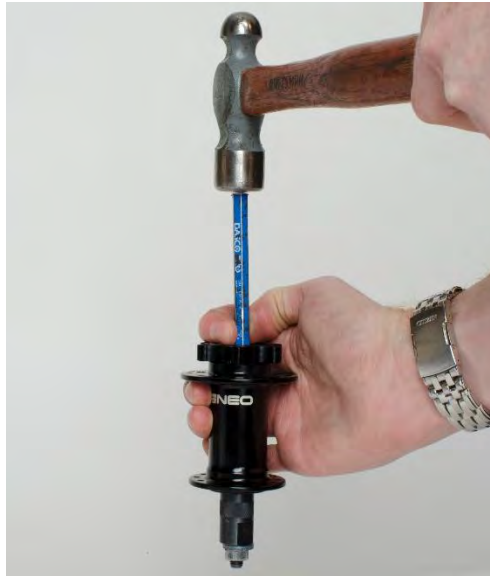
3. Remove end caps:
 - For **Quick Release** End caps: Clamp one end cap in the **20mm** slot of the Park Tool AV-5. Oscillate the hub/wheel while lightly pulling upwards to unseat the cap. Repeat on the other end cap.
 - For **15mm** End caps: Clamp one end cap in the **20mm** slot of the Park Tool AV-5. Oscillate the hub/wheel while lightly pulling upwards to unseat the cap. Repeat on the other end cap.
 - For **20mm** End cap: Clamp one end cap in the **25mm** slot of the Park Tool AV-5. Gently rock the hub/wheel toward you to unseat the cap. Repeat on the other end cap.
4. Clean end caps before reinserting into the hub. Note: Cleansing of the end cap seals should be performed in accordance with Section 1.5 to prevent damaging them. Ensure that the SealLock seals are positioned with their U-hook facing outwards from the hub body, as shown below.



5. To reinstall, press end caps in by hand. (Note: *Take care to not pinch or fold the SealLock seal.*)

3.4.2 OS Front Hub Bearing Removal

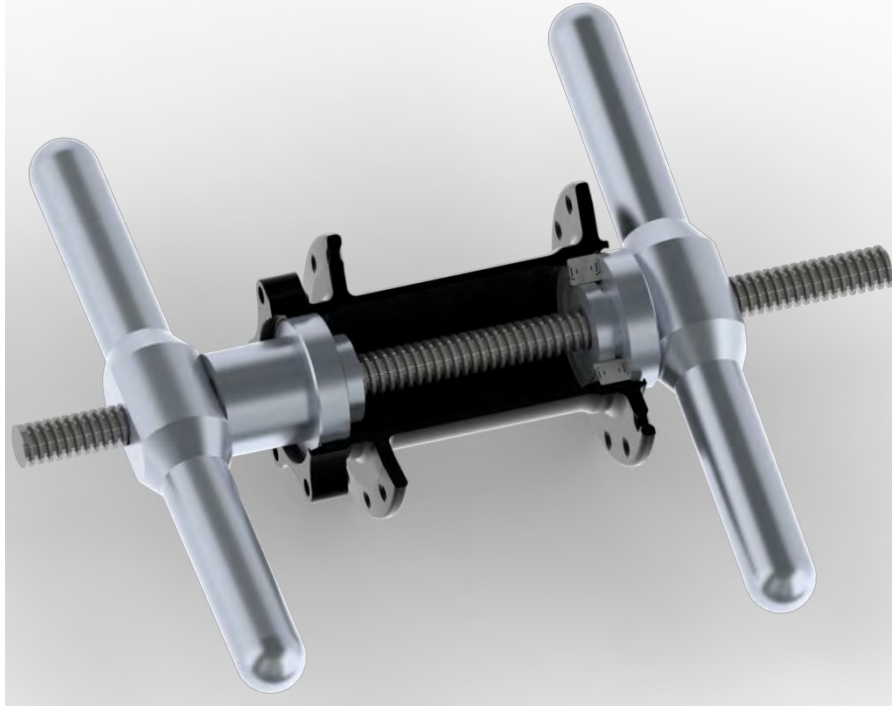
1. Remove end caps from hub using the procedures found in Step 1 of “End Cap Removal/Replacement”
2. Install 20mm Sealed Bearing Extractor into one of the bearings. Tap Extractor and bearing out of hub shell using punch and hammer, as shown below. *(Note: Perform this step over a rag as the bearing, extractor, and inner axle sleeve will fall from the hub shell when the bearing is removed.)*



3. Repeat step 2 to remove second bearing.

3.4.3 OS Front Hub Bearing Installation

1. Thoroughly clean hub shell bore, hub sleeve, and bearing exteriors with isopropyl alcohol and a clean rag.
2. Apply thin layer of grease to the non-drive side bearing bore.
3. Arrange the hub shell, bearing press, a 6804 open bore drift, and one 6804 bearing as shown below. (*Note: Installing one bearing at a time ensures the bearing is installed straight*).



4. Turn the handle clockwise to press the bearing into the hub until it is hand-tight and the bearing is fully seated in the hub shell (note: overtightening can result in bearing damage).
5. Apply thin layer of grease to the drive side bearing bore and the outer race of the bearing.
6. With the hub axis oriented vertically, insert the inner axle sleeve. Note: The axle sleeve has a lip on each end which aligns it with the inner bearing races.

(Continued on next)

7. Arrange the hub, bearing press, bearing drifts, and the second 6804 bearing as shown below. Note: Hold the hub steady to maintain the centralized location of the inner axle sleeve. If the sleeve dislocates, it may damage the lips of the axle sleeve upon installation of the second bearing.



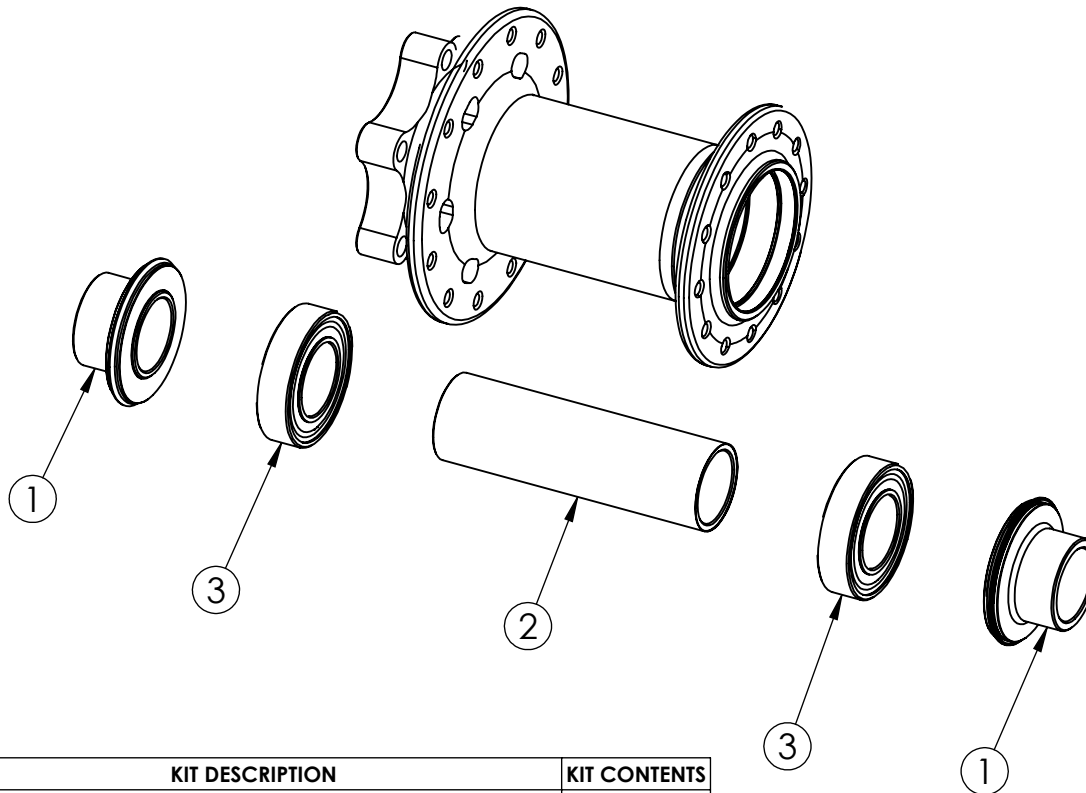
8. Turn the handle clockwise to press the bearing into the hub until it is hand-tight and the bearing is fully seated in the hub shell (*Note: overtightening can result in bearing damage*).

2

1

EIS-010 NEO INTERACTIVE HUB SERIES MANUAL R2

	LEFT(DISC)	RIGHT(DRIVE)
FLANGE ϕ (mm)	55.5	44.5
CTR TO FLANGE (mm)	22.0	35.5



#	KIT #	KIT DESCRIPTION	KIT CONTENTS
1	ZH0771	KIT, NEO, END CAPS, FRONT, 15MM TA	E01
*	ZH0772	KIT, NEO, END CAPS, FRONT, 9MM QR	E04
*	ZH0773	KIT, NEO, END CAPS, FRONT, 9MM TA	E03
*	ZH0774	KIT, NEO, END CAPS, FRONT, 12MM TA	E02
*	ZH0985	KIT, NEO, END CAPS, FRONT, TORQUE CAP	E28
2	ZH0792	KIT, NEO, AXLE SPACER, FRONT, 15/9X100, STD	S09
3	ZH0817	KIT, BEARING, #6902,15X28X7MM, STAINLESS (ORANGE) 2PC	
*	ZH0816	KIT, BEARING, #6902,15X28X7MM, CHROME (GRAY) 2PC	
**	ZH0813	KIT, NEO, END CAP SEALS, FRONT AND REAR	
* denotes optional hub configuration			
**includes seals for all configurations			

STANS
NO TUBES™

HUB, FRONT, STANS, NEO, 6B, 15X100, TA

2

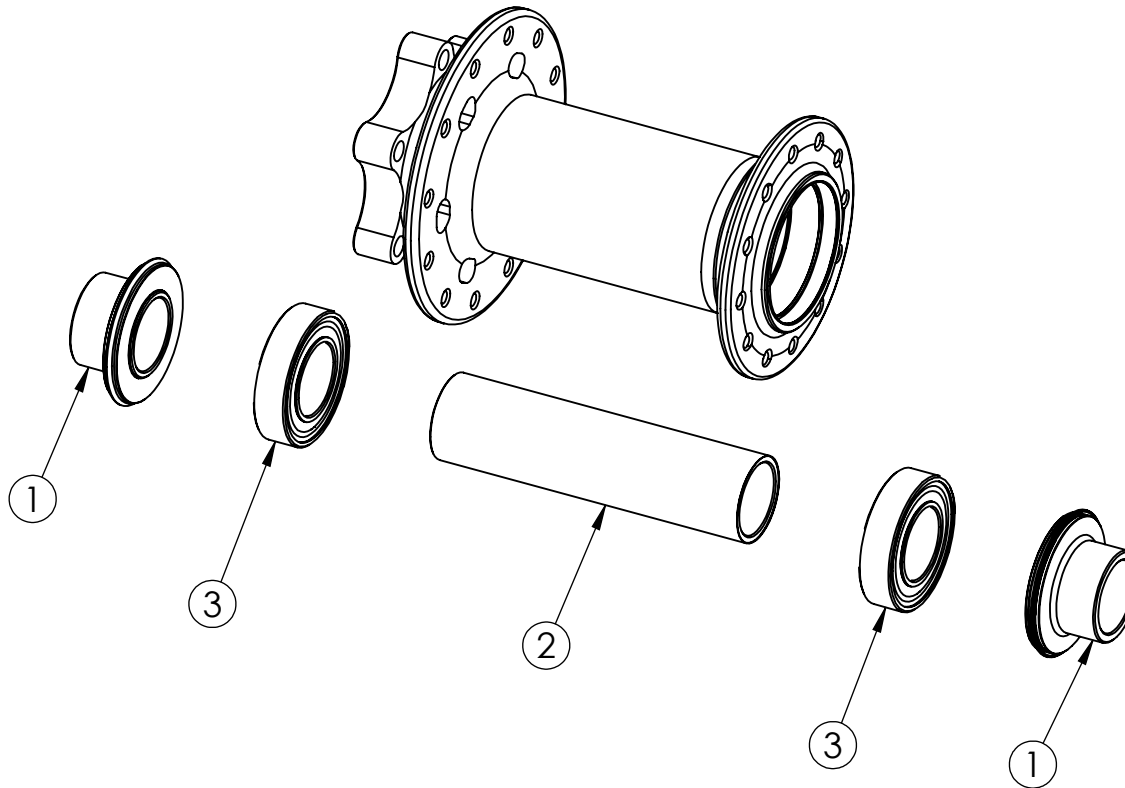
1

2

1

EIS-010 NEO INTERACTIVE HUB SERIES MANUAL R2

	LEFT(DISC)	RIGHT(DRIVE)
FLANGE ϕ (mm)	55.5	44.5
CTR TO FLANGE (mm)	28.0	40.5



#	KIT #	KIT DESCRIPTION	KIT CONTENTS
1	ZH0771	KIT, NEO, END CAPS, FRONT, 15MM TA	E01
*	ZH0772	KIT, NEO, END CAPS, FRONT, 9MM QR	E04
*	ZH0773	KIT, NEO, END CAPS, FRONT, 9MM TA	E03
*	ZH0774	KIT, NEO, END CAPS, FRONT, 12MM TA	E02
*	ZH0985	KIT, NEO, END CAPS, FRONT, TORQUE CAP	E28
2	ZH0794	KIT, NEO, AXLE SPACER, FRONT, 15X110, STD	S11
3	ZH0817	KIT, BEARING, #6902,15X28X7MM, STAINLESS (ORANGE) 2PC	
*	ZH0816	KIT, BEARING, #6902,15X28X7MM, CHROME (GRAY) 2PC	
**	ZH0813	KIT, NEO, END CAP SEALS, FRONT AND REAR	
* denotes optional hub configuration			
**includes seals for all configurations			

STANS
NO TUBES™

HUB, FRONT, STANS, NEO, 6B, 15X110, TA

2

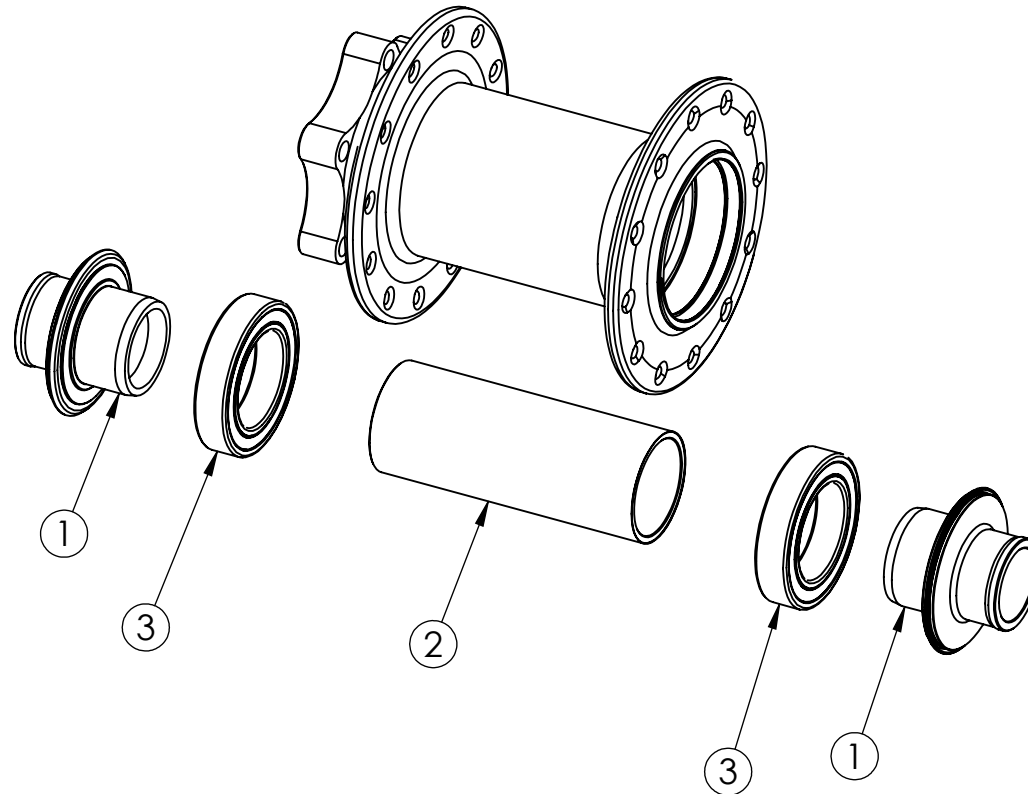
1

2

1

EIS-010 NEO INTERACTIVE HUB SERIES MANUAL R2

	LEFT(DISC)	RIGHT(DRIVE)
FLANGE ϕ (mm)	55.5	55.5
CTR TO FLANGE (mm)	22.5	33.5



#	KIT #	KIT DESCRIPTION	KIT CONTENTS
1	ZH0776	KIT, NEO OS, END CAPS, FRONT, 15MM TA	E06
*	ZH0777	KIT, NEO OS, END CAPS, FRONT, 9MM QR	E07
*	ZH0983	KIT, NEO OS, END CAPS, FRONT, 12MM TA	E25
*	ZH0775	KIT, NEO OS, END CAPS, FRONT, 20MM TA	E05
*	ZH0984	KIT, NEO OS, END CAPS, FRONT, TORQUE CAP	E29
*	ZH0982	KIT, NEO OS, END CAPS, FRONT, 9MM TA	E24
2	ZH0796	KIT, NEO OS, AXLE SPACER, FRONT, 20/15/9, STD	S13
3	ZH0818	KIT, BEARING, #6804, 20X32X7MM, CHROME (GRAY) 2PC	
**	ZH0813	KIT, NEO, END CAP SEALS, FRONT AND REAR	
* denotes optional hub configuration			
**includes seals for all configurations			

STANS
NO TUBES™

HUB, FRONT, STANS, NEO, 6B, 15X100, OS, TA

2

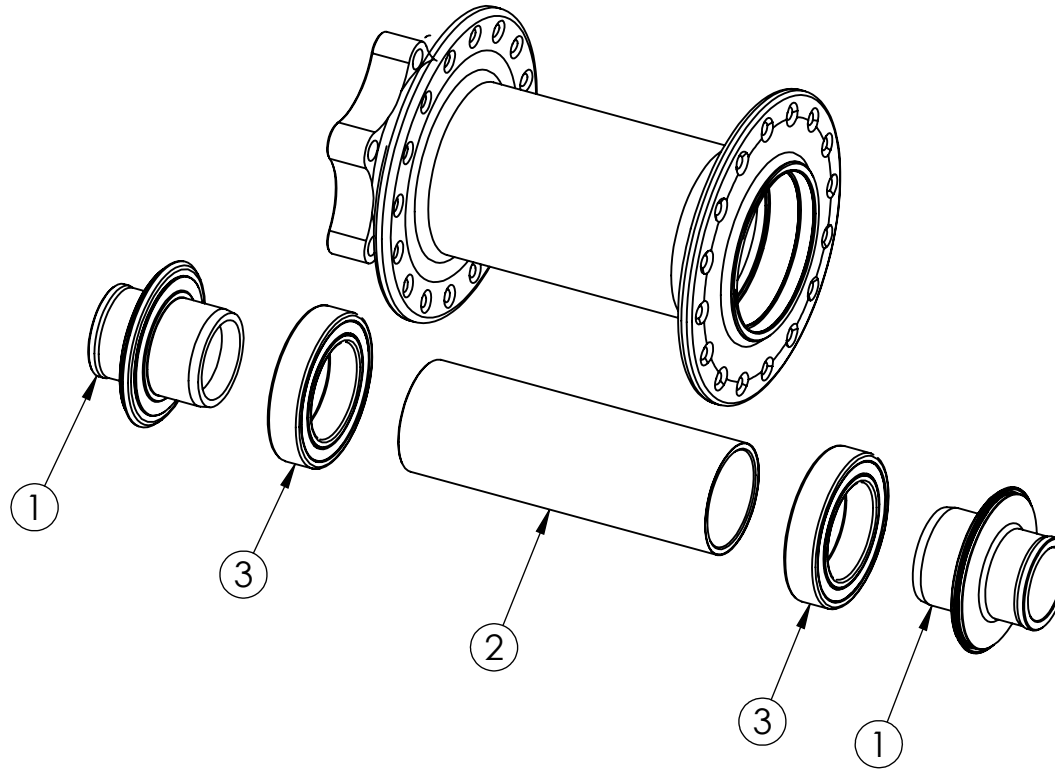
1

2

1

EIS-010 NEO INTERACTIVE HUB SERIES MANUAL R2

	LEFT(DISC)	RIGHT(DRIVE)
FLANGE ϕ (mm)	55.5	55.5
CTR TO FLANGE (mm)	27.5	38.5



#	KIT #	KIT DESCRIPTION	KIT CONTENTS
1	ZH0776	KIT, NEO OS, END CAPS, FRONT, 15MM TA	E06
*	ZH0777	KIT, NEO OS, END CAPS, FRONT, 9MM QR	E07
*	ZH0983	KIT, NEO OS, END CAPS, FRONT, 12MM TA	E25
*	ZH0775	KIT, NEO OS, END CAPS, FRONT, 20MM TA	E05
*	ZH0984	KIT, NEO OS, END CAPS, FRONT, TORQUE CAP	E29
*	ZH0982	KIT, NEO OS, END CAPS, FRONT, 9MM TA	E24
2	ZH0990	KIT, NEO OS, AXLE SPACER, FRONT, 15X110, STD	S16
3	ZH0818	KIT, BEARING, #6804, 20X32X7MM, CHROME (GRAY) 2PC	
**	ZH0813	KIT, NEO, END CAP SEALS, FRONT AND REAR	
* denotes optional hub configuration			
**includes seals for all configurations			

STANS
NO TUBES™

HUB, FRONT, STANS, NEO, 6B, 15X110, OS, TA

2

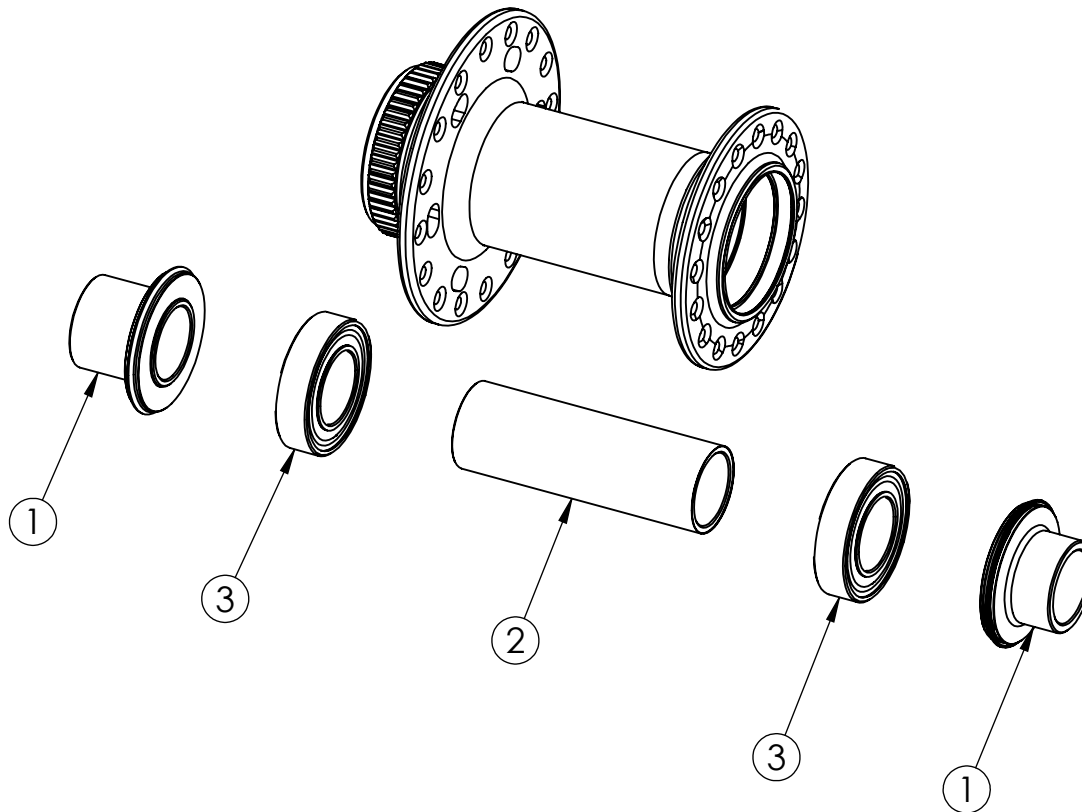
1

2

1

EIS-010 NEO INTERACTIVE HUB SERIES MANUAL R2

	LEFT(DISC)	RIGHT(DRIVE)
FLANGE ϕ (mm)	55.5	44.5
CTR TO FLANGE (mm)	23.0	35.5



#	KIT #	KIT DESCRIPTION	KIT CONTENTS
1	ZH0953	KIT, NEO, END CAPS, FRONT, 15MM TA, CL	E20
*	ZH0954	KIT, NEO, END CAPS, FRONT, 9MM QR, CL	E21
*	ZH0986	KIT, NEO, END CAPS, FRONT, 9MM TA, CL	E26
*	ZH0955	KIT, NEO, END CAPS, FRONT, 12MM TA, CL	E22
2	ZH0991	KIT, NEO, AXLE SPACER, FRONT, 15X100, STD, CL	S17
3	ZH0817	KIT, BEARING, #6902,15X28X7MM, STAINLESS (ORANGE) 2PC	
*	ZH0816	KIT, BEARING, #6902,15X28X7MM, CHROME (GRAY) 2PC	
**	ZH0813	KIT, NEO, END CAP SEALS, FRONT AND REAR	
* denotes optional hub configuration			
**includes seals for all configurations			

STANS
NO TUBES™

HUB, FRONT, STANS, NEO, CL, 15X100, TA

2

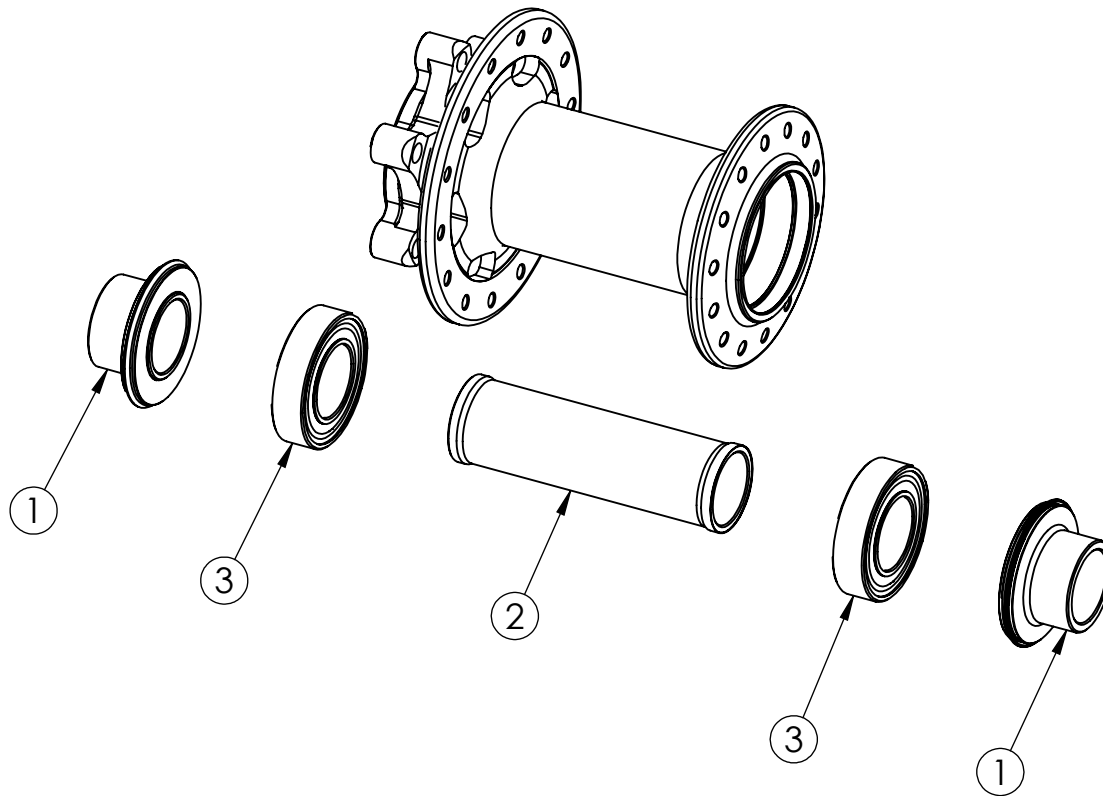
1

2

1

EIS-010 NEO INTERACTIVE HUB SERIES MANUAL R2

	LEFT(DISC)	RIGHT(DRIVE)
FLANGE ϕ (mm)	55.5	44.5
CTR TO FLANGE (mm)	22.0	35.5



#	KIT #	KIT DESCRIPTION	KIT CONTENTS
1	ZH0771	KIT, NEO, END CAPS, FRONT, 15MM TA	E01
*	ZH0772	KIT, NEO, END CAPS, FRONT, 9MM QR	E04
*	ZH0773	KIT, NEO, END CAPS, FRONT, 9MM TA	E03
*	ZH0774	KIT, NEO, END CAPS, FRONT, 12MM TA	E02
*	ZH0985	KIT, NEO, END CAPS, FRONT, TORQUE CAP	E28
2	ZH0793	KIT, NEO, AXLE SPACER, FRONT, 15/9X100, LTE	S10
3	ZH0817	KIT, BEARING, #6902,15X28X7MM, STAINLESS (ORANGE) 2PC	
**	ZH0813	KIT, NEO, END CAP SEALS, FRONT AND REAR	
* denotes optional hub configuration			
**includes seals for all configurations			

STANS
NO TUBES™

HUB, FRONT, STANS, NEO ULT, 6B, 15X100, TA

2

1

2

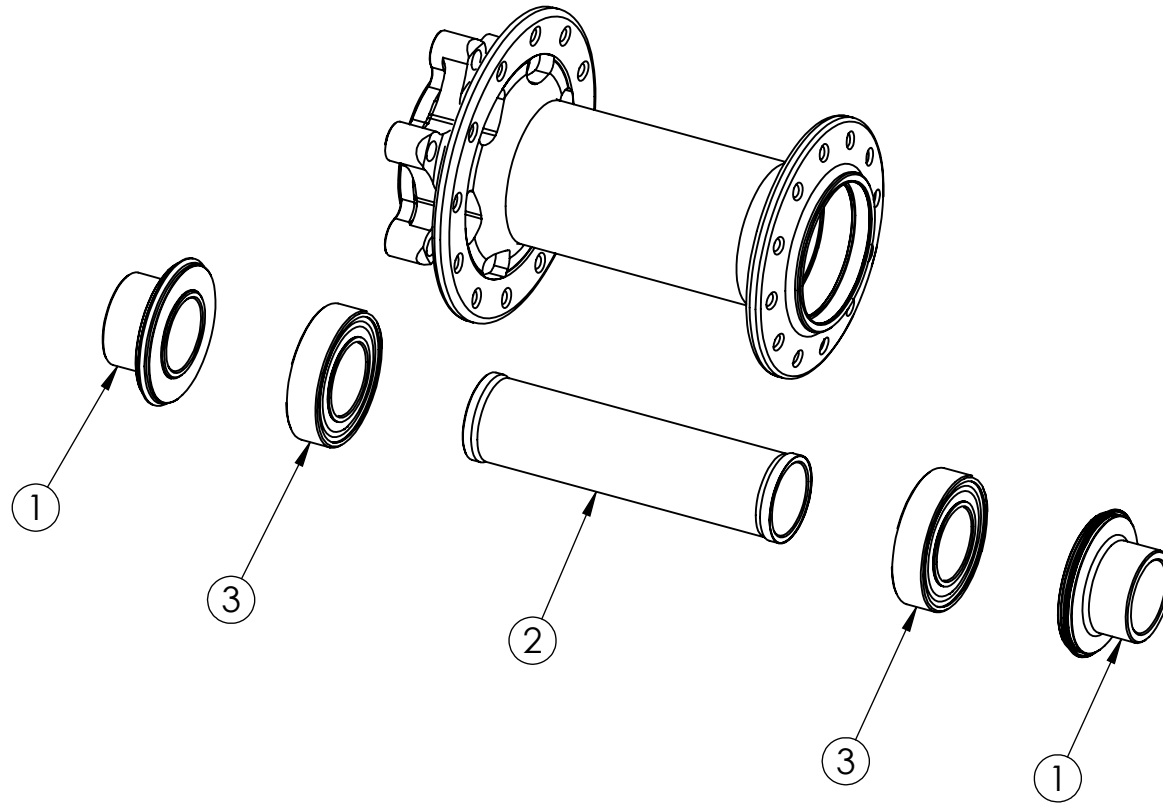
1

EIS-010 NEO INTERACTIVE HUB SERIES MANUAL R2

	LEFT(DISC)	RIGHT(DRIVE)
FLANGE ϕ (mm)	55.5	44.5
CTR TO FLANGE (mm)	28	40.5

B

B



A

A

#	KIT #	KIT DESCRIPTION	KIT CONTENTS
1	ZH0771	KIT, NEO, END CAPS, FRONT, 15MM TA	E01
*	ZH0772	KIT, NEO, END CAPS, FRONT, 9MM QR	E04
*	ZH0773	KIT, NEO, END CAPS, FRONT, 9MM TA	E03
*	ZH0774	KIT, NEO, END CAPS, FRONT, 12MM TA	E02
*	ZH0985	KIT, NEO, END CAPS, FRONT, TORQUE CAP	E28
2	ZH0795	KIT, NEO, AXLE SPACER, FRONT, 15X110, LTE	S12
3	ZH0817	KIT, BEARING, #6902,15X28X7MM, STAINLESS (ORANGE) 2PC	
**	ZH0813	KIT, NEO, END CAP SEALS, FRONT AND REAR	
* denotes optional hub configuration			
**includes seals for all configurations			

STANS
NO TUBES™

HUB, FRONT, STANS, NEO ULT, 6B, 15X110, TA

2

1

2

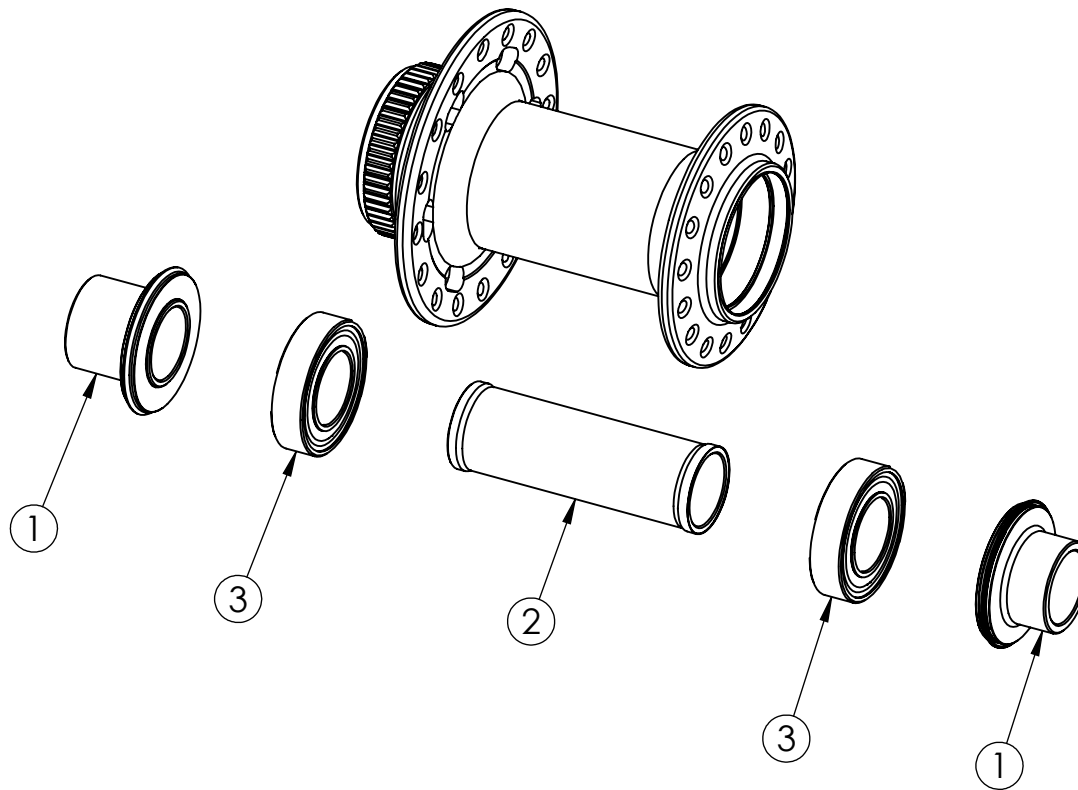
1

EIS-010 NEO INTERACTIVE HUB SERIES MANUAL R2

	LEFT(DISC)	RIGHT(DRIVE)
FLANGE ϕ (mm)	55.5	44.5
CTR TO FLANGE (mm)	22.0	35.5

B

B



A

A

#	KIT #	KIT DESCRIPTION	KIT CONTENTS
1	ZH0953	KIT, NEO, END CAPS, FRONT, 15MM TA, CL	E20
*	ZH0954	KIT, NEO, END CAPS, FRONT, 9MM QR, CL	E21
*	ZH0986	KIT, NEO, END CAPS, FRONT, 9MM TA, CL	E26
*	ZH0955	KIT, NEO, END CAPS, FRONT, 12MM TA, CL	E22
2	ZH0989	KIT, NEO, AXLE SPACER, FRONT, 15X100, LTE, CL	S18
3	ZH0817	KIT, BEARING, #6902,15X28X7MM, STAINLESS (ORANGE) 2PC	
**	ZH0813	KIT, NEO, END CAP SEALS, FRONT AND REAR	
* denotes optional hub configuration			
**includes seals for all configurations			

STANS
NO TUBES™

HUB, FRONT, STANS, NEO ULT, CL, 15X100, TA

2

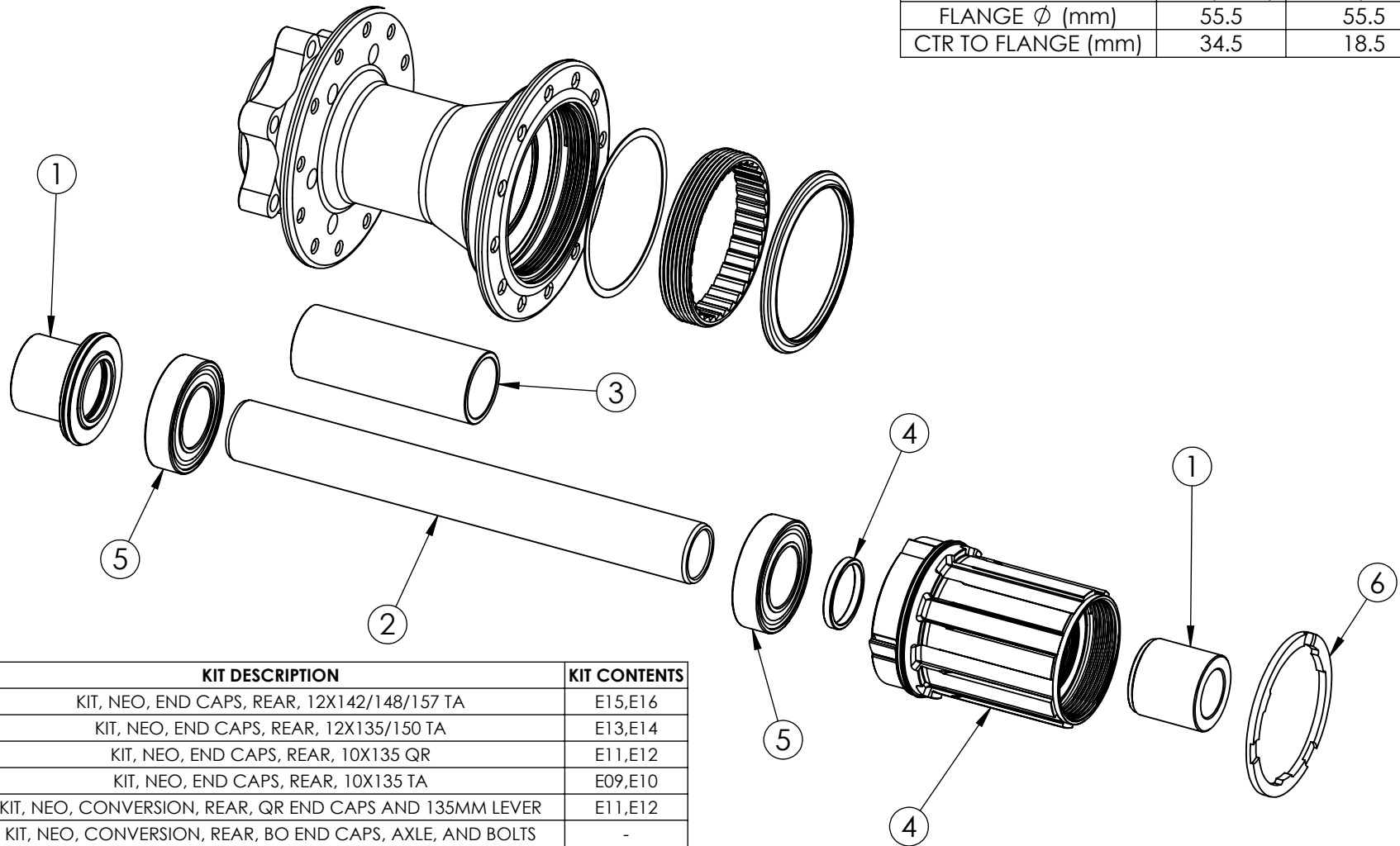
1

2

1

EIS-010 NEO INTERACTIVE HUB SERIES MANUAL R2

	LEFT(DISC)	RIGHT(DRIVE)
FLANGE ϕ (mm)	55.5	55.5
CTR TO FLANGE (mm)	34.5	18.5



#	KIT #	KIT DESCRIPTION	KIT CONTENTS
1	ZH0779	KIT, NEO, END CAPS, REAR, 12X142/148/157 TA	E15,E16
*	ZH0778	KIT, NEO, END CAPS, REAR, 12X135/150 TA	E13,E14
*	ZH0780	KIT, NEO, END CAPS, REAR, 10X135 QR	E11,E12
*	ZH0781	KIT, NEO, END CAPS, REAR, 10X135 TA	E09,E10
*	ZH0769	KIT, NEO, CONVERSION, REAR, QR END CAPS AND 135MM LEVER	E11,E12
*	ZH0770	KIT, NEO, CONVERSION, REAR, BO END CAPS, AXLE, AND BOLTS	-
2	ZH0782	KIT, NEO, AXLE, REAR, 12X135/142 & SINGLESPEED	A01
3	ZH0786	KIT, NEO, AXLE SPACER, REAR, 12X135/142 , STD	S01
*	ZH0787	KIT, NEO, AXLE SPACER, REAR, 12X135/142 , LTE	S02
4	ZH0805	KIT, NEO, FREEHUB, 4-PAWL, SHIMANO (BLACK)	-
*	ZH0806	KIT, NEO, FREEHUB, 4-PAWL, SRAM XD (BLACK)	-
5	ZH0816	KIT, BEARING, #6902,15X28X7MM, CHROME (GRAY) 2PC	-
*	ZH0817	KIT, BEARING, #6902,15X28X7MM, STAINLESS (ORANGE) 2PC	-
6	ZH0802	KIT, NEO, CASSETTE SPACER, 10SP (SILVER)	-
**	ZH0813	KIT, NEO, END CAP SEALS, FRONT AND REAR	
**	ZH0799	KIT, NEO, FREEHUB SEALS	

* denotes optional hub configuration

**includes seals for all configurations

STANS
NO TUBES™

HUB, REAR, STANS, NEO, 6B, 12x142, TA

2

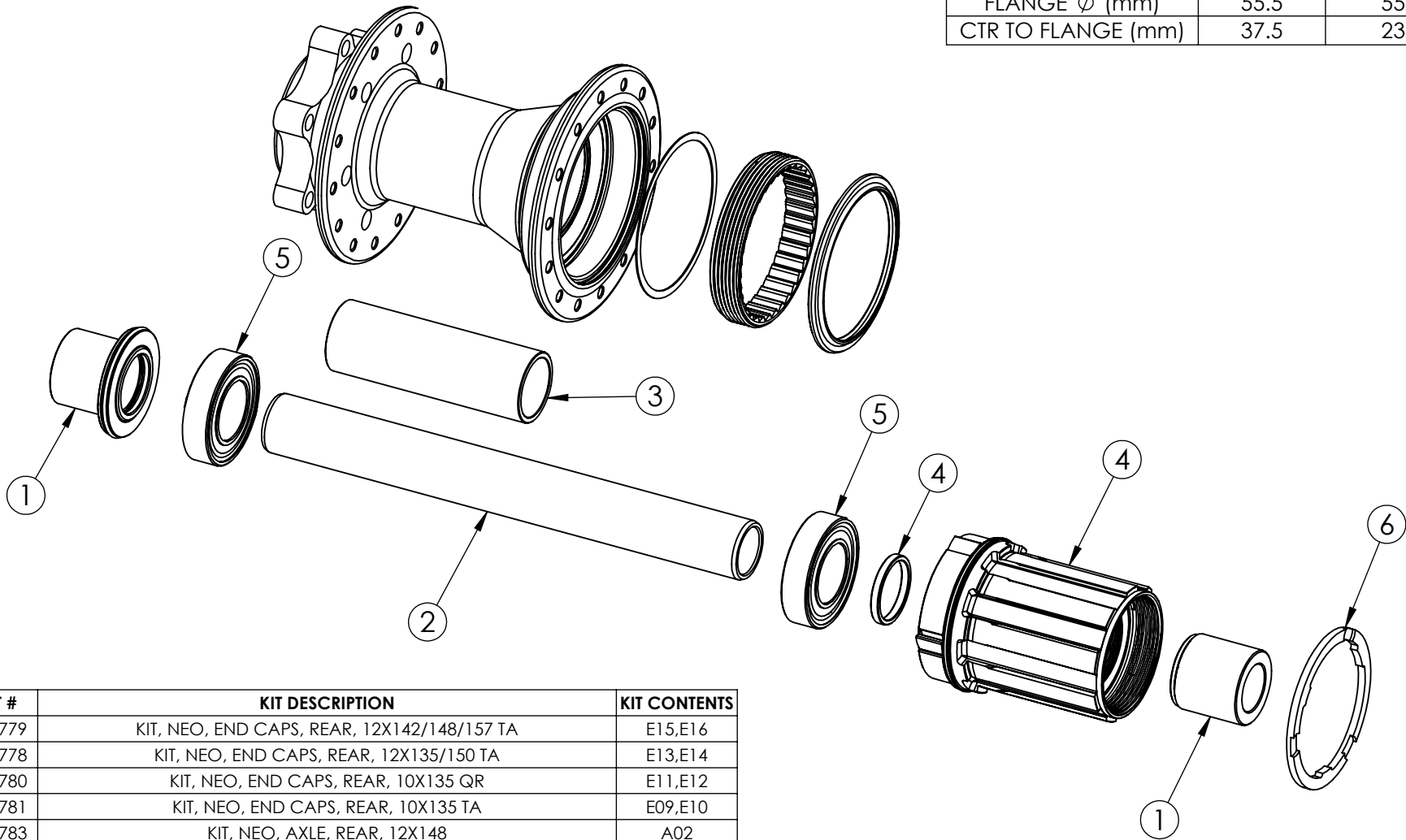
1

2

1

EIS-010 NEO INTERACTIVE HUB SERIES MANUAL R2

	LEFT(DISC)	RIGHT(DRIVE)
FLANGE ϕ (mm)	55.5	55.5
CTR TO FLANGE (mm)	37.5	23.0



#	KIT #	KIT DESCRIPTION	KIT CONTENTS
1	ZH0779	KIT, NEO, END CAPS, REAR, 12X142/148/157 TA	E15,E16
*	ZH0778	KIT, NEO, END CAPS, REAR, 12X135/150 TA	E13,E14
*	ZH0780	KIT, NEO, END CAPS, REAR, 10X135 QR	E11,E12
*	ZH0781	KIT, NEO, END CAPS, REAR, 10X135 TA	E09,E10
2	ZH0783	KIT, NEO, AXLE, REAR, 12X148	A02
3	ZH0788	KIT, NEO, AXLE SPACER, REAR, 12X148, STD	S03
4	ZH0805	KIT, NEO, FREEHUB, 4-PAWL, SHIMANO (BLACK)	
*	ZH0806	KIT, NEO, FREEHUB, 4-PAWL, SRAM XD (BLACK)	
*	ZH0808	KIT, NEO, FREEHUB, 4-PAWL, CAMPY (BLACK)	
5	ZH0816	KIT, BEARING, #6902,15X28X7MM, CHROME (GRAY) 2PC	
*	ZH0817	KIT, BEARING, #6902,15X28X7MM, STAINLESS (ORANGE) 2PC	
6	ZH0802	KIT, NEO, CASSETTE SPACER, 10SP (SILVER)	
**	ZH0813	KIT, NEO, END CAP SEALS, FRONT AND REAR	
**	ZH0799	KIT, NEO, FREEHUB SEALS	

* denotes optional hub configuration

**includes seals for all configurations

STANS
NO TUBES™

HUB, REAR, STANS, NEO, 6B, 12x148, TA

2

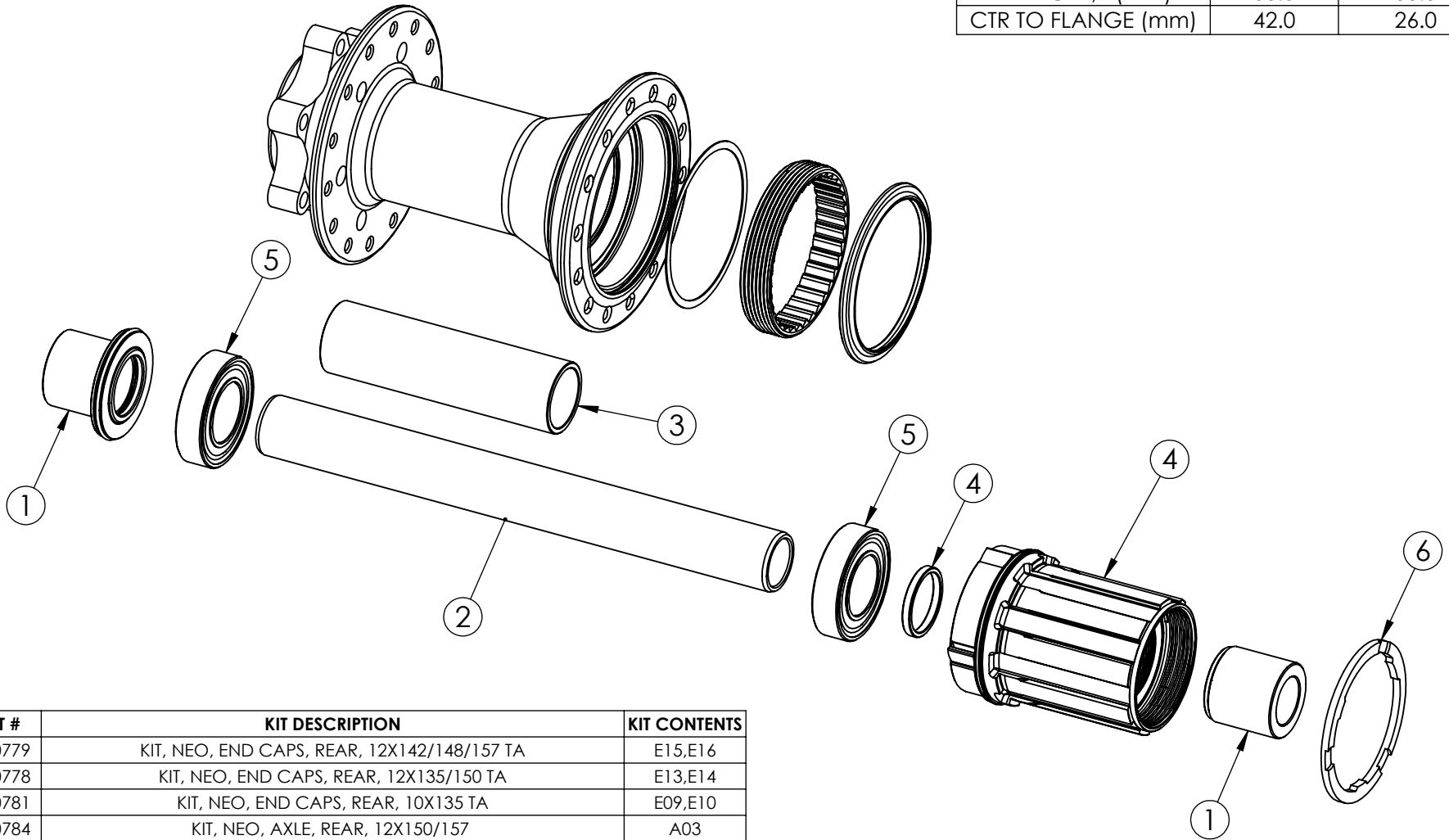
1

2

1

EIS-010 NEO INTERACTIVE HUB SERIES MANUAL R2

	LEFT(DISC)	RIGHT(DRIVE)
FLANGE ϕ (mm)	55.5	55.5
CTR TO FLANGE (mm)	42.0	26.0



#	KIT #	KIT DESCRIPTION	KIT CONTENTS
1	ZH0779	KIT, NEO, END CAPS, REAR, 12X142/148/157 TA	E15,E16
*	ZH0778	KIT, NEO, END CAPS, REAR, 12X135/150 TA	E13,E14
*	ZH0781	KIT, NEO, END CAPS, REAR, 10X135 TA	E09,E10
2	ZH0784	KIT, NEO, AXLE, REAR, 12X150/157	A03
3	ZH0790	KIT, NEO, AXLE SPACER, REAR, 12X150/157 & SINGLESPEED, STD	S05
4	ZH0805	KIT, NEO, FREEHUB, 4-PAWL, SHIMANO (BLACK)	
*	ZH0806	KIT, NEO, FREEHUB, 4-PAWL, SRAM XD (BLACK)	
*	ZH0808	KIT, NEO, FREEHUB, 4-PAWL, CAMPY (BLACK)	
5	ZH0816	KIT, BEARING, #6902,15X28X7MM, CHROME (GRAY) 2PC	
*	ZH0817	KIT, BEARING, #6902,15X28X7MM, STAINLESS (ORANGE) 2PC	
6	ZH0802	KIT, NEO, CASSETTE SPACER, 10SP (SILVER)	
**	ZH0813	KIT, NEO, END CAP SEALS, FRONT AND REAR	
**	ZH0799	KIT, NEO, FREEHUB SEALS	

* denotes optional hub configuration

**includes seals for all configurations

STANS
NO TUBES™

HUB, REAR, STANS, NEO, 6B, 12x157, TA

2

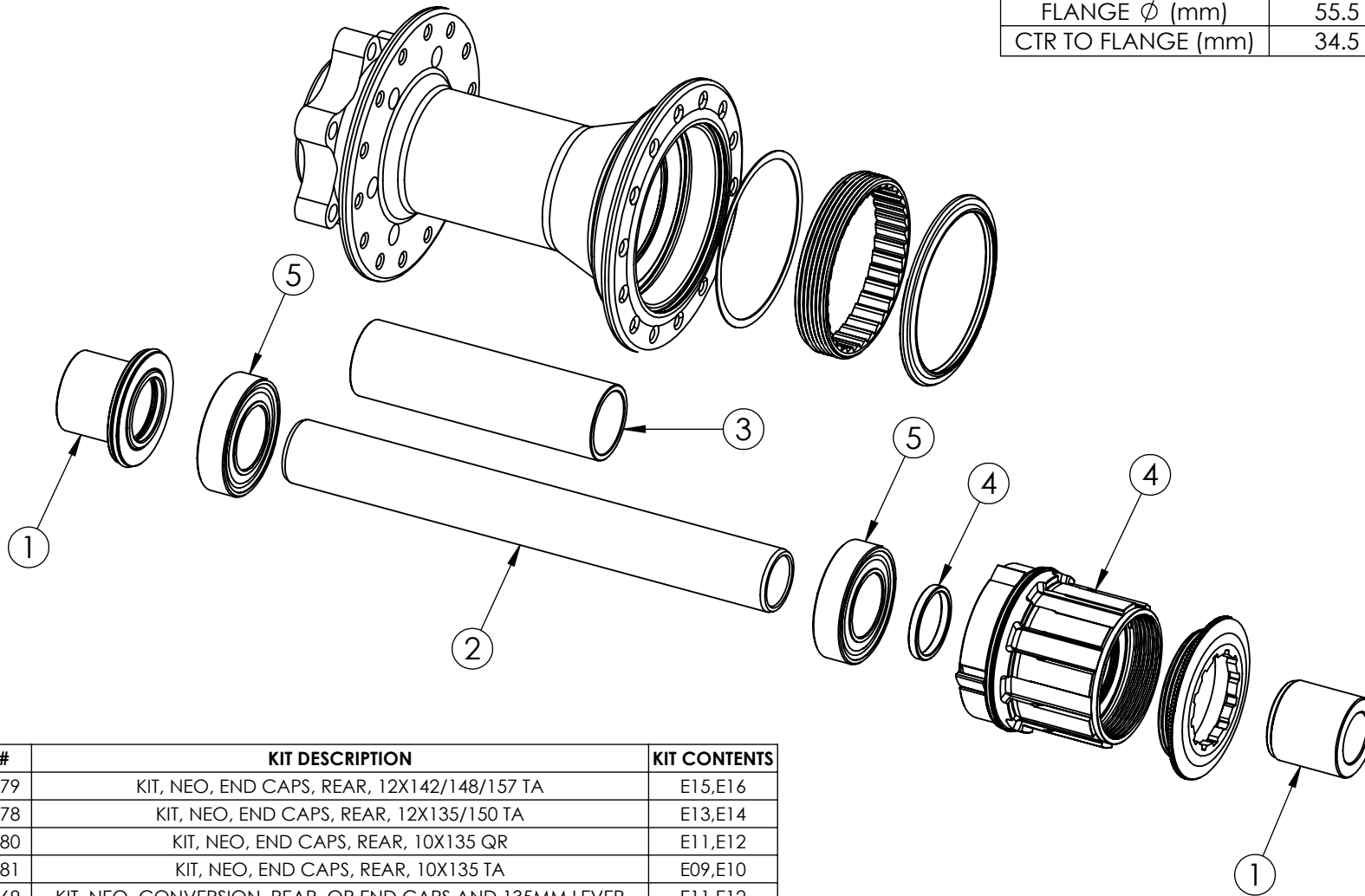
1

2

1

EIS-010 NEO INTERACTIVE HUB SERIES MANUAL R2

	LEFT(DISC)	RIGHT(DRIVE)
FLANGE ϕ (mm)	55.5	55.5
CTR TO FLANGE (mm)	34.5	33.5



#	KIT #	KIT DESCRIPTION	KIT CONTENTS
1	ZH0779	KIT, NEO, END CAPS, REAR, 12X142/148/157 TA	E15,E16
*	ZH0778	KIT, NEO, END CAPS, REAR, 12X135/150 TA	E13,E14
*	ZH0780	KIT, NEO, END CAPS, REAR, 10X135 QR	E11,E12
*	ZH0781	KIT, NEO, END CAPS, REAR, 10X135 TA	E09,E10
*	ZH0769	KIT, NEO, CONVERSION, REAR, QR END CAPS AND 135MM LEVER	E11,E12
*	ZH0770	KIT, NEO, CONVERSION, REAR, BO END CAPS, AXLE, AND BOLTS	
2	ZH0782	KIT, NEO, AXLE, REAR, 12X135/142 & SINGLESPEED	A01
3	ZH0790	KIT, NEO, AXLE SPACER, REAR, 12X150/157 & SINGLESPEED, STD	S05
4	ZH0807	KIT, NEO, FREEHUB, 4-PAWL, SINGLESPEED (BLACK)	
5	ZH0816	KIT, BEARING, #6902,15X28X7MM, CHROME (GRAY) 2PC	
*	ZH0817	KIT, BEARING, #6902,15X28X7MM, STAINLESS (ORANGE) 2PC	
*	ZH0804	KIT, NEO, SINGLESPEED SPACER KIT	
**	ZH0813	KIT, NEO, END CAP SEALS, FRONT AND REAR	
**	ZH0799	KIT, NEO, FREEHUB SEALS	

* denotes optional hub configuration

**includes seals for all configurations

STANS
NO TUBES™

HUB, REAR, STANS, NEO, 6B, 12x142, TA, SS

2

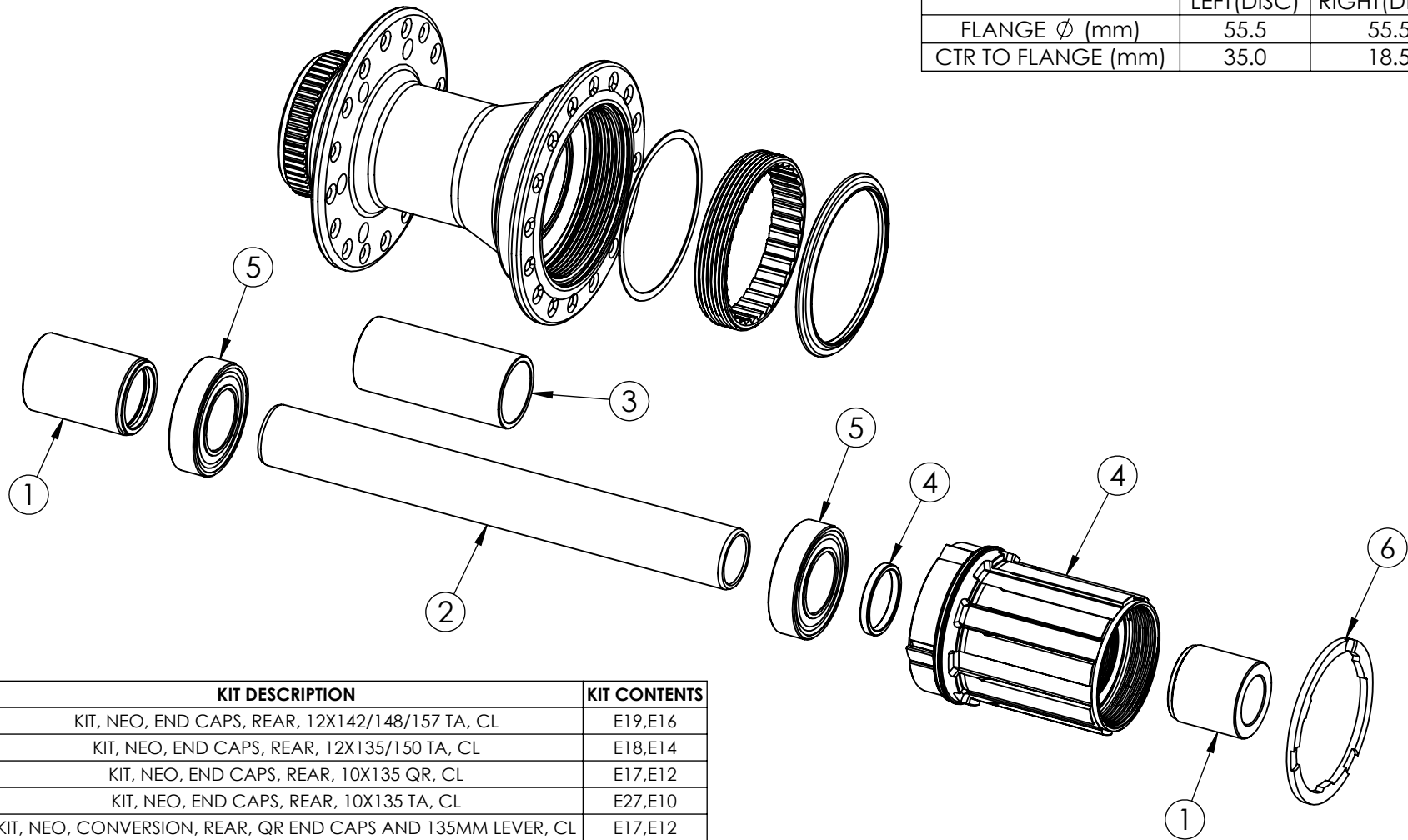
1

2

1

EIS-010 NEO INTERACTIVE HUB SERIES MANUAL R2

	LEFT(DISC)	RIGHT(DRIVE)
FLANGE ϕ (mm)	55.5	55.5
CTR TO FLANGE (mm)	35.0	18.5



#	KIT #	KIT DESCRIPTION	KIT CONTENTS
1	ZH0956	KIT, NEO, END CAPS, REAR, 12X142/148/157 TA, CL	E19,E16
*	ZH0988	KIT, NEO, END CAPS, REAR, 12X135/150 TA, CL	E18,E14
*	ZH0957	KIT, NEO, END CAPS, REAR, 10X135 QR, CL	E17,E12
*	ZH0987	KIT, NEO, END CAPS, REAR, 10X135 TA, CL	E27,E10
*	ZH0962	KIT, NEO, CONVERSION, REAR, QR END CAPS AND 135MM LEVER, CL	E17,E12
*	ZH0770	KIT, NEO, CONVERSION, REAR, BO END CAPS, AXLE, AND BOLTS	
2	ZH0782	KIT, NEO, AXLE, REAR, 12X135/142 & SINGLESPEED	A01
3	ZH0995	KIT, NEO, AXLE SPACER, REAR, 12X135/142, STD, CL	S21
4	ZH0805	KIT, NEO, FREEHUB, 4-PAWL, SHIMANO (BLACK)	
*	ZH0806	KIT, NEO, FREEHUB, 4-PAWL, SRAM XD (BLACK)	
*	ZH0808	KIT, NEO, FREEHUB, 4-PAWL, CAMPY (BLACK)	
5	ZH0816	KIT, BEARING, #6902,15X28X7MM, CHROME (GRAY) 2PC	
*	ZH0817	KIT, BEARING, #6902,15X28X7MM, STAINLESS (ORANGE) 2PC	
6	ZH0802	KIT, NEO, CASSETTE SPACER, 10SP (SILVER)	
**	ZH0813	KIT, NEO, END CAP SEALS, FRONT AND REAR	
**	ZH0799	KIT, NEO, FREEHUB SEALS	

* denotes optional hub configuration

**includes seals for all configurations

STANS
NO TUBES™

HUB, REAR, STANS, NEO, CL, 12x142, TA

2

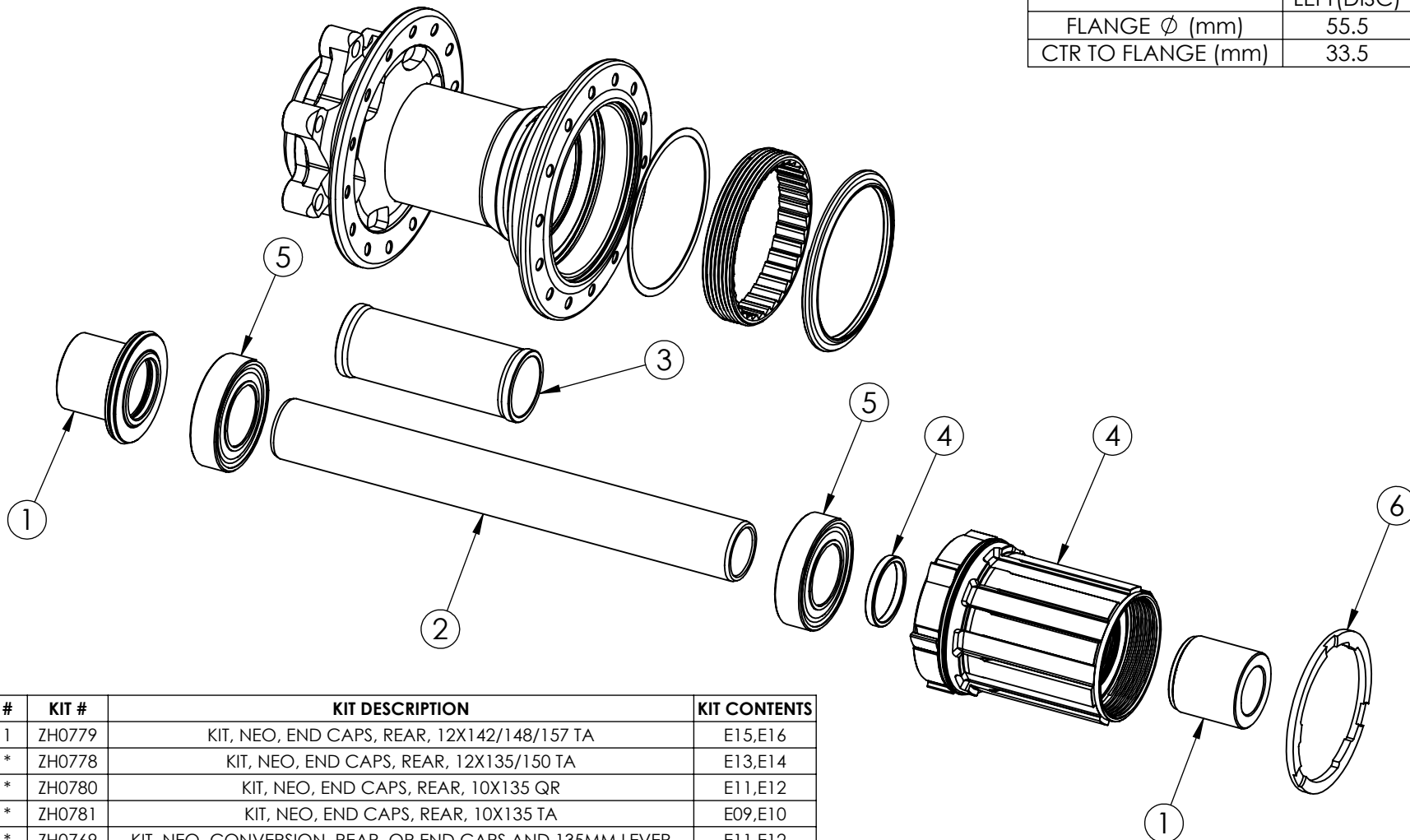
1

2

1

EIS-010 NEO INTERACTIVE HUB SERIES MANUAL R2

	LEFT(DISC)	RIGHT(DRIVE)
FLANGE ϕ (mm)	55.5	55.5
CTR TO FLANGE (mm)	33.5	18.5



#	KIT #	KIT DESCRIPTION	KIT CONTENTS
1	ZH0779	KIT, NEO, END CAPS, REAR, 12X142/148/157 TA	E15,E16
*	ZH0778	KIT, NEO, END CAPS, REAR, 12X135/150 TA	E13,E14
*	ZH0780	KIT, NEO, END CAPS, REAR, 10X135 QR	E11,E12
*	ZH0781	KIT, NEO, END CAPS, REAR, 10X135 TA	E09,E10
*	ZH0769	KIT, NEO, CONVERSION, REAR, QR END CAPS AND 135MM LEVER	E11,E12
*	ZH0770	KIT, NEO, CONVERSION, REAR, BO END CAPS, AXLE, AND BOLTS	
2	ZH0782	KIT, NEO, AXLE, REAR, 12X135/142 & SINGLESPEED	A01
3	ZH0787	KIT, NEO, AXLE SPACER, REAR, 12X135/142, LTE	S02
4	ZH0809	KIT, NEO, FREEHUB, 6-PAWL, SHIMANO (GRAY)	
*	ZH0810	KIT, NEO, FREEHUB, 6-PAWL, SRAM XD (GRAY)	
*	ZH0812	KIT, NEO, FREEHUB, 6-PAWL, CAMPY (GRAY)	
5	ZH0817	KIT, BEARING, #6902, 15X28X7MM, STAINLESS (ORANGE) 2PC	
6	ZH0802	KIT, NEO, CASSETTE SPACER, 10SP (SILVER)	
**	ZH0813	KIT, NEO, END CAP SEALS, FRONT AND REAR	
**	ZH0799	KIT, NEO, FREEHUB SEALS	

* denotes optional hub configuration

**includes seals for all configurations

STANS
NO TUBES™

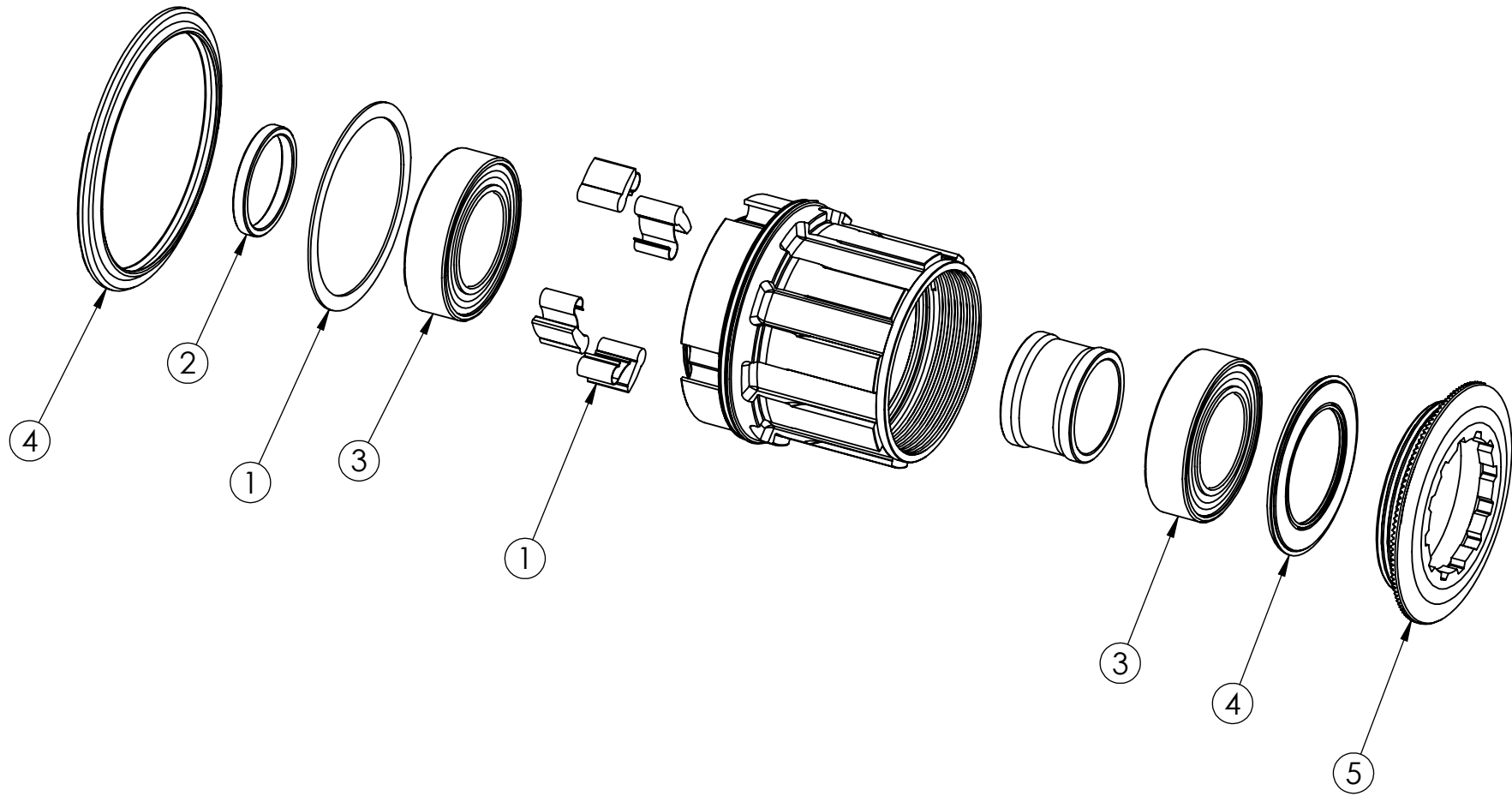
HUB, REAR, STANS, NEO ULT, 6B, 12x142, TA

2

1

B

B



A

A

#	KIT #	KIT DESCRIPTION
1	ZH0800	KIT, NEO, SPRING AND PAWL 6PC
2	ZH0798	KIT, NEO, FREEHUB SPACER (RED)
3	ZH0814	KIT, BEARING, #15267, 15X26X7MM, CHROME (GRAY) 2PC
*	ZH0815	KIT, BEARING, #15267, 15X26X7MM, STAINLESS (ORANGE) 2PC
4	ZH0799	KIT, NEO, FREEHUB SEALS (BLACK)
5	ZH0803	KIT, NEO, SINGLESPEED LOCKRING
*	ZH0804	KIT, NEO, SINGLESPEED SPACER KIT

* denotes optional hub configuration



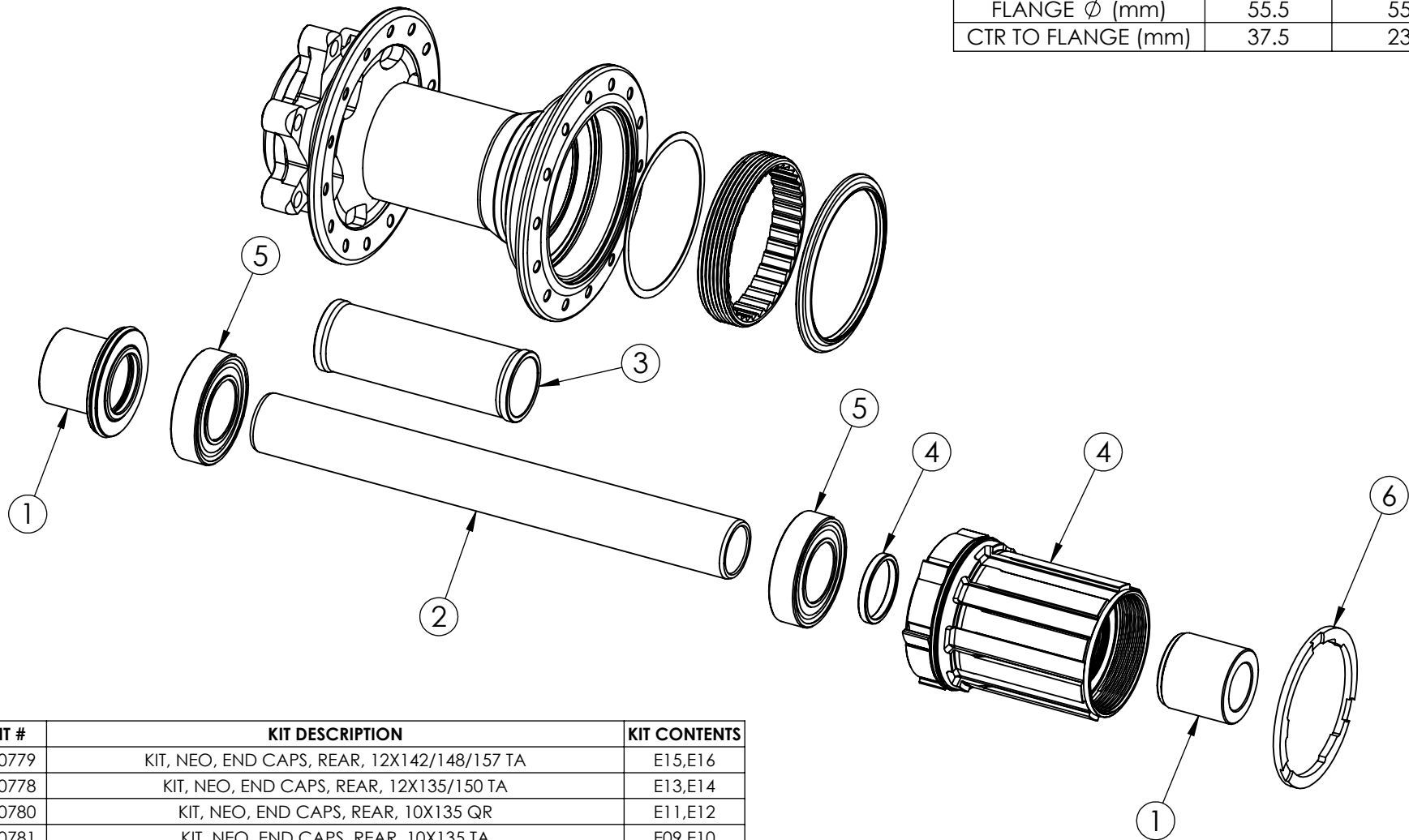
FREEHUB, STANS, NEO, 4-PAWL, SINGLESPEED

2

1

EIS-010 NEO INTERACTIVE HUB SERIES MANUAL R2

	LEFT(DISC)	RIGHT(DRIVE)
FLANGE ϕ (mm)	55.5	55.5
CTR TO FLANGE (mm)	37.5	23.0



#	KIT #	KIT DESCRIPTION	KIT CONTENTS
1	ZH0779	KIT, NEO, END CAPS, REAR, 12X142/148/157 TA	E15,E16
*	ZH0778	KIT, NEO, END CAPS, REAR, 12X135/150 TA	E13,E14
*	ZH0780	KIT, NEO, END CAPS, REAR, 10X135 QR	E11,E12
*	ZH0781	KIT, NEO, END CAPS, REAR, 10X135 TA	E09,E10
2	ZH0783	KIT, NEO, AXLE, REAR, 12X148	A02
3	ZH0789	KIT, NEO, AXLE SPACER, REAR, 12X148, LTE	S04
4	ZH0809	KIT, NEO, FREEHUB, 6-PAWL, SHIMANO (GRAY)	
*	ZH0810	KIT, NEO, FREEHUB, 6-PAWL, SRAM XD (GRAY)	
*	ZH0812	KIT, NEO, FREEHUB, 6-PAWL, CAMPY (GRAY)	
5	ZH0817	KIT, BEARING, #6902,15X28X7MM, STAINLESS (ORANGE) 2PC	
6	ZH0802	KIT, NEO, CASSETTE SPACER, 10SP (SILVER)	
**	ZH0813	KIT, NEO, END CAP SEALS, FRONT AND REAR	
**	ZH0799	KIT, NEO, FREEHUB SEALS	
* denotes optional hub configuration			
**includes seals for all configurations			

STANS
NO TUBES™

HUB, REAR, STANS, NEO ULT, 6B, 12x148, TA

2

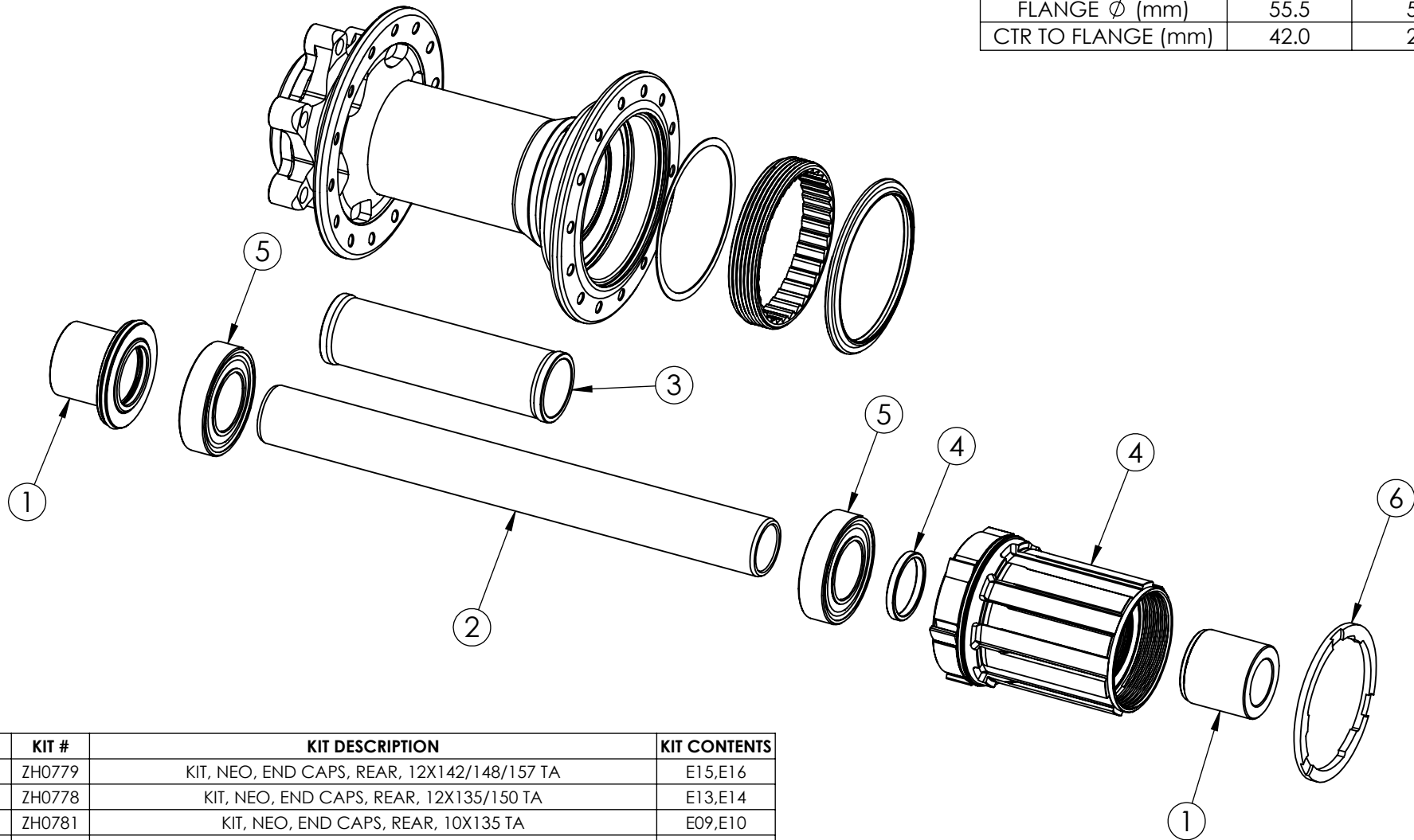
1

2

1

EIS-010 NEO INTERACTIVE HUB SERIES MANUAL R2

	LEFT(DISC)	RIGHT(DRIVE)
FLANGE ϕ (mm)	55.5	55.5
CTR TO FLANGE (mm)	42.0	26.0



#	KIT #	KIT DESCRIPTION	KIT CONTENTS
1	ZH0779	KIT, NEO, END CAPS, REAR, 12X142/148/157 TA	E15,E16
*	ZH0778	KIT, NEO, END CAPS, REAR, 12X135/150 TA	E13,E14
*	ZH0781	KIT, NEO, END CAPS, REAR, 10X135 TA	E09,E10
2	ZH0784	KIT, NEO, AXLE, REAR, 12X150/157	A03
3	ZH0992	KIT, NEO, AXLE SPACER, REAR, 12X150/157 & SINGLESPEED, LTE	S06
4	ZH0809	KIT, NEO, FREEHUB, 6-PAWL, SHIMANO (GRAY)	
*	ZH0810	KIT, NEO, FREEHUB, 6-PAWL, SRAM XD (GRAY)	
*	ZH0812	KIT, NEO, FREEHUB, 6-PAWL, CAMPY (GRAY)	
5	ZH0817	KIT, BEARING, #6902,15X28X7MM, STAINLESS (ORANGE) 2PC	
6	ZH0802	KIT, NEO, CASSETTE SPACER, 10SP (SILVER)	
**	ZH0813	KIT, NEO, END CAP SEALS, FRONT AND REAR	
**	ZH0799	KIT, NEO, FREEHUB SEALS	
* denotes optional hub configuration			
**includes seals for all configurations			

STANS
NO TUBES™

HUB, REAR, STANS, NEO ULT, 6B, 12x157, TA

2

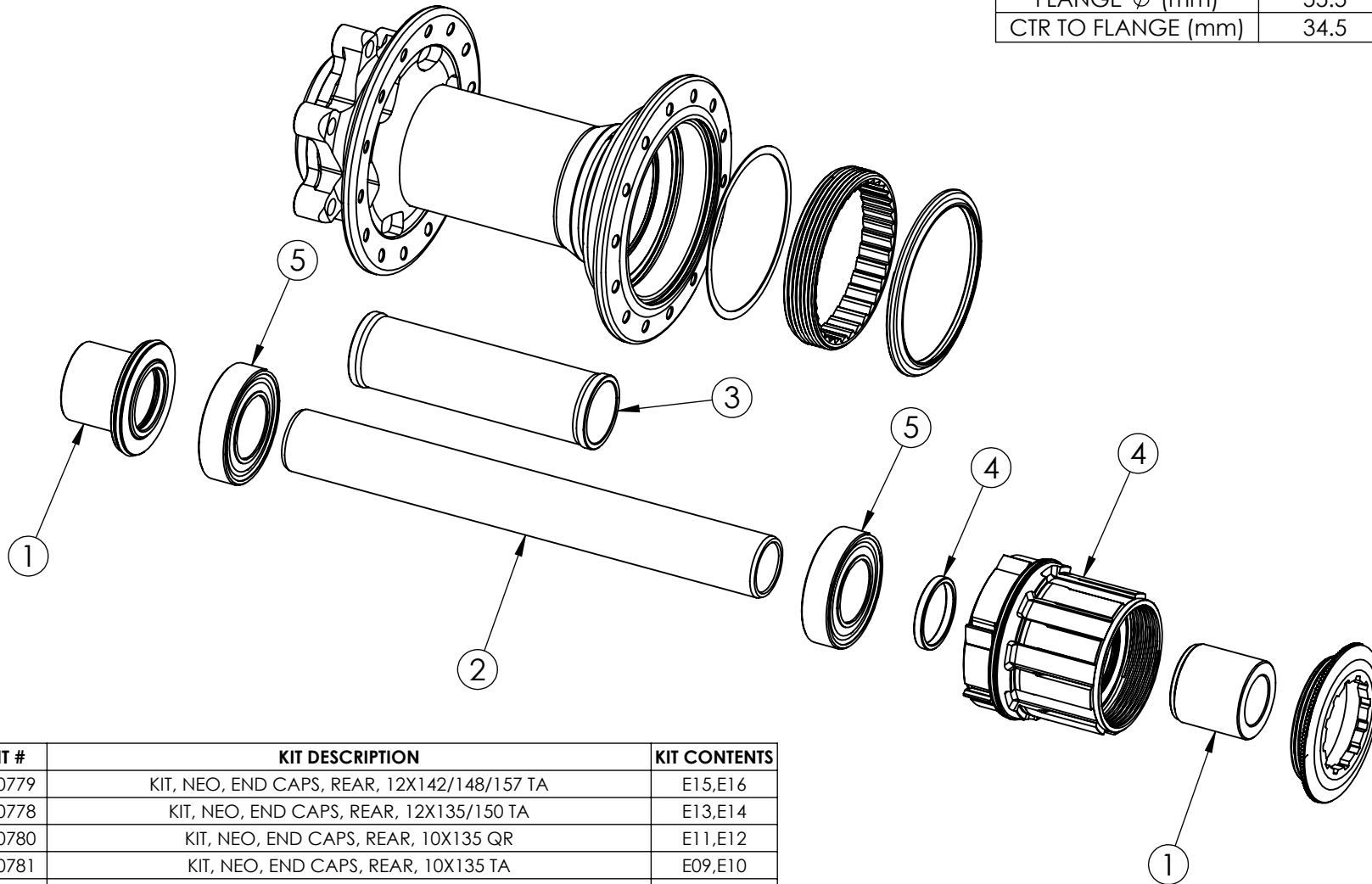
1

2

1

EIS-010 NEO INTERACTIVE HUB SERIES MANUAL R2

	LEFT(DISC)	RIGHT(DRIVE)
FLANGE ϕ (mm)	55.5	55.5
CTR TO FLANGE (mm)	34.5	33.5



#	KIT #	KIT DESCRIPTION	KIT CONTENTS
1	ZH0779	KIT, NEO, END CAPS, REAR, 12X142/148/157 TA	E15,E16
*	ZH0778	KIT, NEO, END CAPS, REAR, 12X135/150 TA	E13,E14
*	ZH0780	KIT, NEO, END CAPS, REAR, 10X135 QR	E11,E12
*	ZH0781	KIT, NEO, END CAPS, REAR, 10X135 TA	E09,E10
*	ZH0769	KIT, NEO, CONVERSION, REAR, QR END CAPS AND 135MM LEVER	E11,E12
*	ZH0770	KIT, NEO, CONVERSION, REAR, BO END CAPS, AXLE, AND BOLTS	
2	ZH0782	KIT, NEO, AXLE, REAR, 12X135/142 & SINGLESPEED	A01
3	ZH0992	KIT, NEO, AXLE SPACER, REAR, 12X150/157 & SINGLESPEED, LTE	S06
4	ZH0811	KIT, NEO, FREEHUB, 6-PAWL, SINGLESPEED (GRAY)	
5	ZH0817	KIT, BEARING, #6902,15X28X7MM, STAINLESS (ORANGE) 2PC	
*	ZH0804	KIT, NEO, SINGLESPEED SPACER KIT	
**	ZH0813	KIT, NEO, END CAP SEALS, FRONT AND REAR	
**	ZH0799	KIT, NEO, FREEHUB SEALS	

* denotes optional hub configuration

**includes seals for all configurations

STANS
NO TUBES™

HUB, REAR, STANS, NEO ULT, 6B, 12x142, TA, SS

2

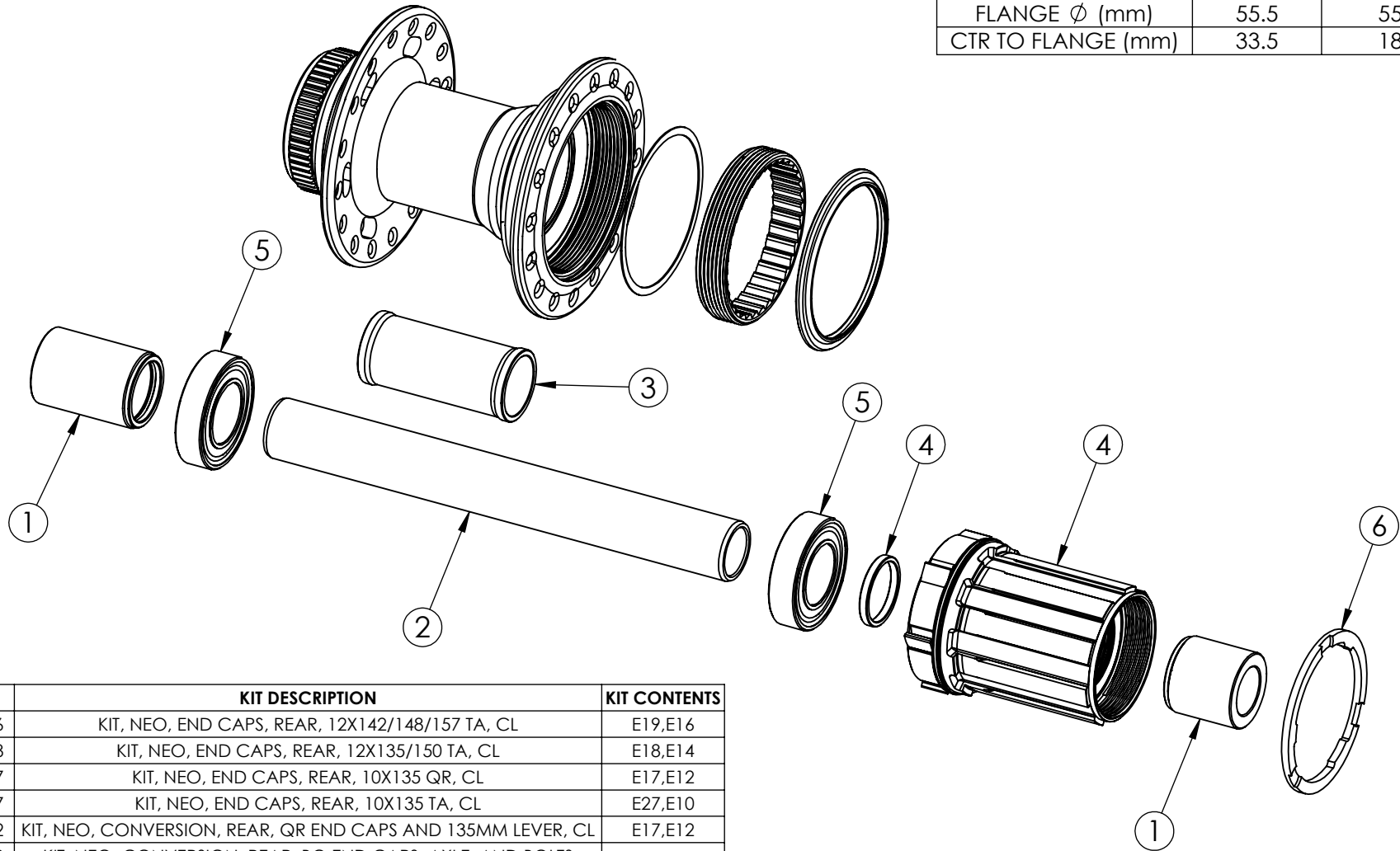
1

2

1

EIS-010 NEO INTERACTIVE HUB SERIES MANUAL R2

	LEFT(DISC)	RIGHT(DRIVE)
FLANGE ϕ (mm)	55.5	55.5
CTR TO FLANGE (mm)	33.5	18.5



#	KIT #	KIT DESCRIPTION	KIT CONTENTS
1	ZH0956	KIT, NEO, END CAPS, REAR, 12X142/148/157 TA, CL	E19,E16
*	ZH0988	KIT, NEO, END CAPS, REAR, 12X135/150 TA, CL	E18,E14
*	ZH0957	KIT, NEO, END CAPS, REAR, 10X135 QR, CL	E17,E12
*	ZH0987	KIT, NEO, END CAPS, REAR, 10X135 TA, CL	E27,E10
*	ZH0962	KIT, NEO, CONVERSION, REAR, QR END CAPS AND 135MM LEVER, CL	E17,E12
*	ZH0770	KIT, NEO, CONVERSION, REAR, BO END CAPS, AXLE, AND BOLTS	
2	ZH0782	KIT, NEO, AXLE, REAR, 12X135/142 & SINGLESPEED	A01
3	ZH0994	KIT, NEO, AXLE SPACER, REAR, 12X135/142, LTE, CL	S22
4	ZH0809	KIT, NEO, FREEHUB, 6-PAWL, SHIMANO (GRAY)	
*	ZH0810	KIT, NEO, FREEHUB, 6-PAWL, SRAM XD (GRAY)	
*	ZH0812	KIT, NEO, FREEHUB, 6-PAWL, CAMPY (GRAY)	
5	ZH0817	KIT, BEARING, #6902, 15X28X7MM, STAINLESS (ORANGE) 2PC	
6	ZH0802	KIT, NEO, CASSETTE SPACER, 10SP (SILVER)	
**	ZH0813	KIT, NEO, END CAP SEALS, FRONT AND REAR	
**	ZH0799	KIT, NEO, FREEHUB SEALS	

* denotes optional hub configuration

**includes seals for all configurations

STANS
NO TUBES™

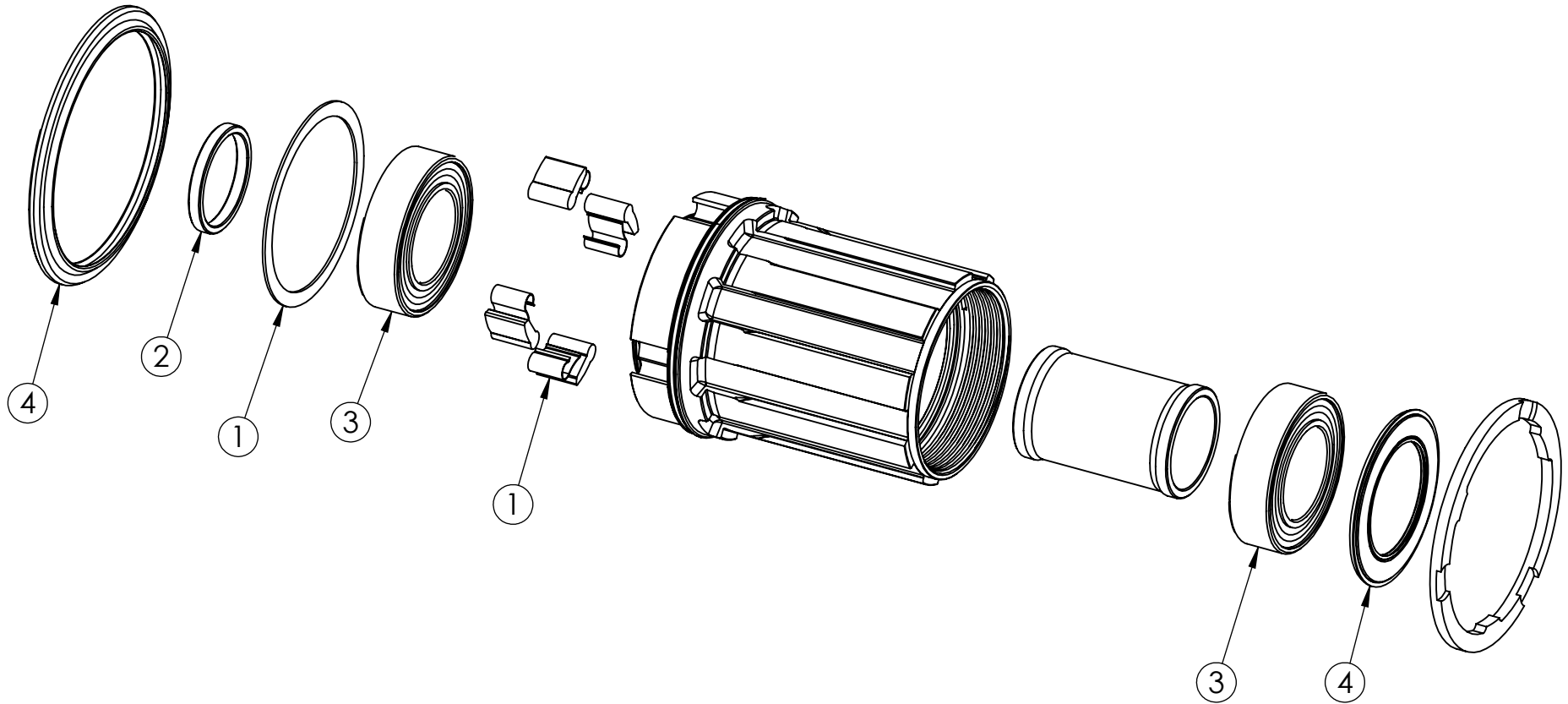
HUB, REAR, STANS, NEO ULTIMATE, CL, 12x142, TA

2

1

B

B



A

A

#	KIT #	KIT DESCRIPTION
1	ZH0800	KIT, NEO, SPRING AND PAWL 6PC
2	ZH0798	KIT, NEO, FREEHUB SPACER (RED)
3	ZH0814	KIT, BEARING, #15267, 15X26X7MM, CHROME (GRAY) 2PC
*	ZH0815	KIT, BEARING, #15267, 15X26X7MM, STAINLESS (ORANGE) 2PC
4	ZH0799	KIT, NEO, FREEHUB SEALS (BLACK)

* denotes optional hub configuration



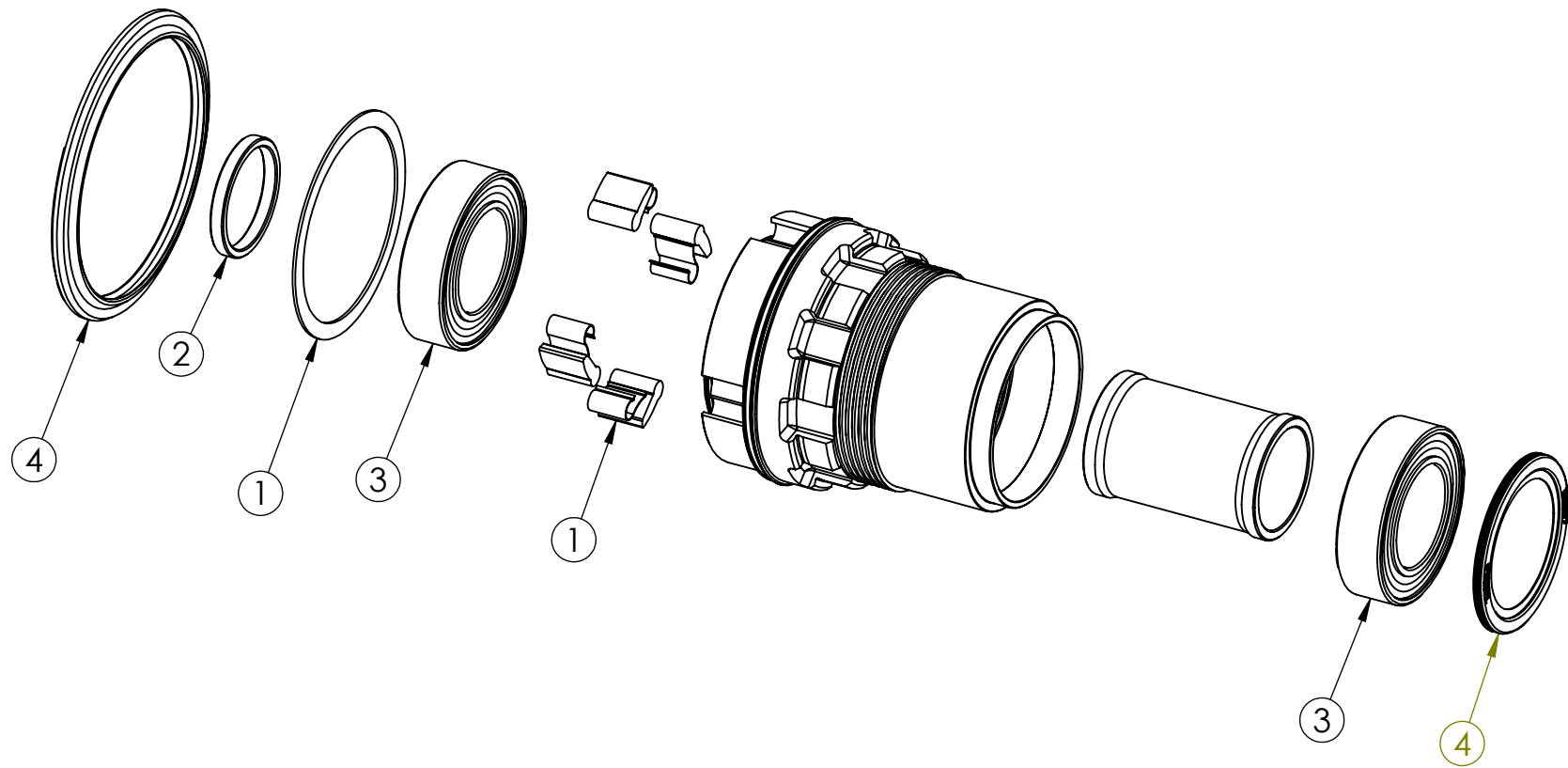
FREEHUB, STANS, NEO, 4-PAWL, SHIMANO

2

1

B

B



A

A

#	KIT #	KIT DESCRIPTION
1	ZH0800	KIT, NEO, SPRING AND PAWL 6PC
2	ZH0798	KIT, NEO, FREEHUB SPACER (RED)
3	ZH0814	KIT, BEARING, #15267, 15X26X7MM, CHROME (GRAY) 2PC
*	ZH0815	KIT, BEARING, #15267, 15X26X7MM, STAINLESS (ORANGE) 2PC
4	ZH0799	KIT, NEO, FREEHUB SEALS (BLACK)

* denotes optional hub configuration



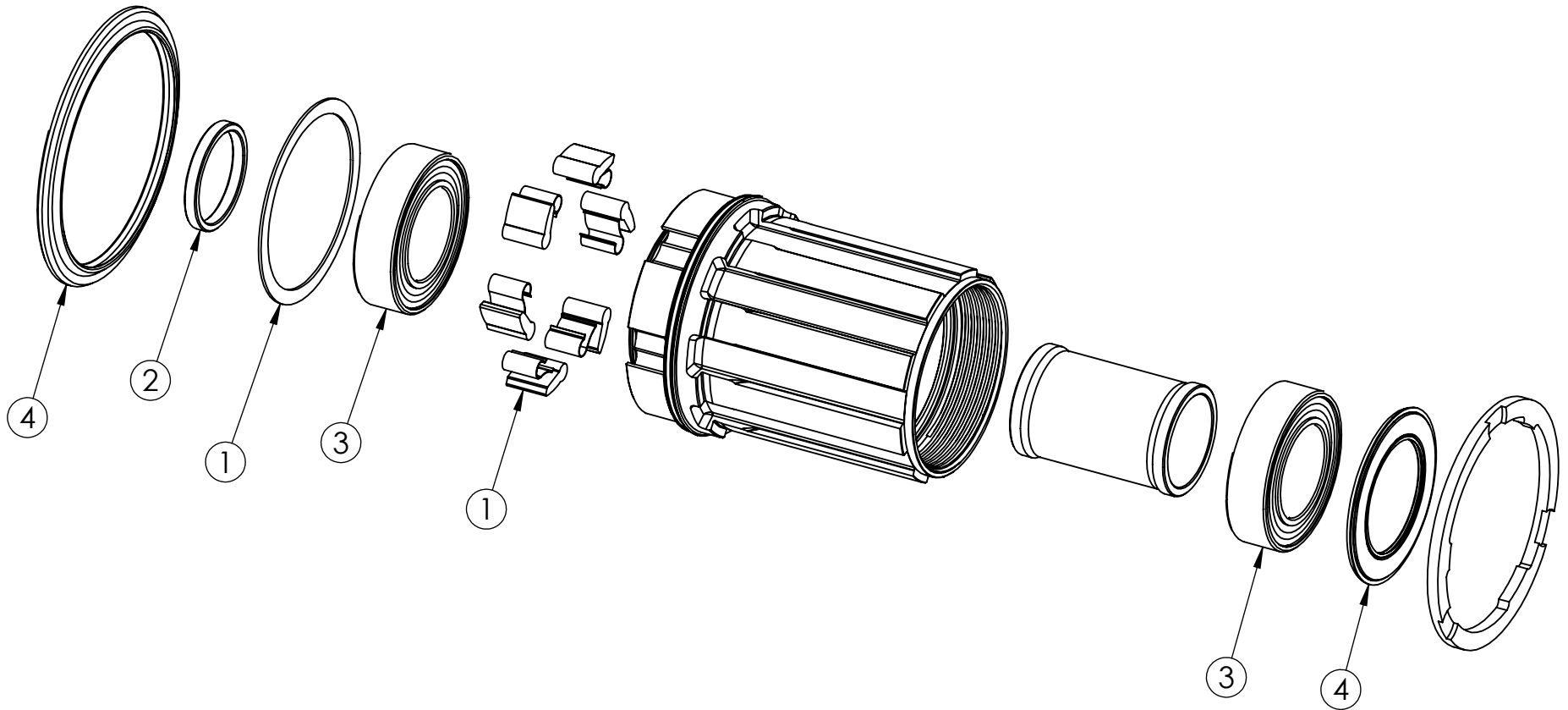
FREEHUB, STANS, NEO, 4-PAWL, SRAM XD

2

1

B

B



A

A

#	KIT #	KIT DESCRIPTION
1	ZH0800	KIT, NEO, SPRING AND PAWL 6PC
2	ZH0798	KIT, NEO, FREEHUB SPACER (RED)
*	ZH0814	KIT, BEARING, #15267, 15X26X7MM, CHROME (GRAY) 2PC
3	ZH0815	KIT, BEARING, #15267, 15X26X7MM, STAINLESS (ORANGE) 2PC
4	ZH0799	KIT, NEO, FREEHUB SEALS (BLACK)

* denotes optional hub configuration



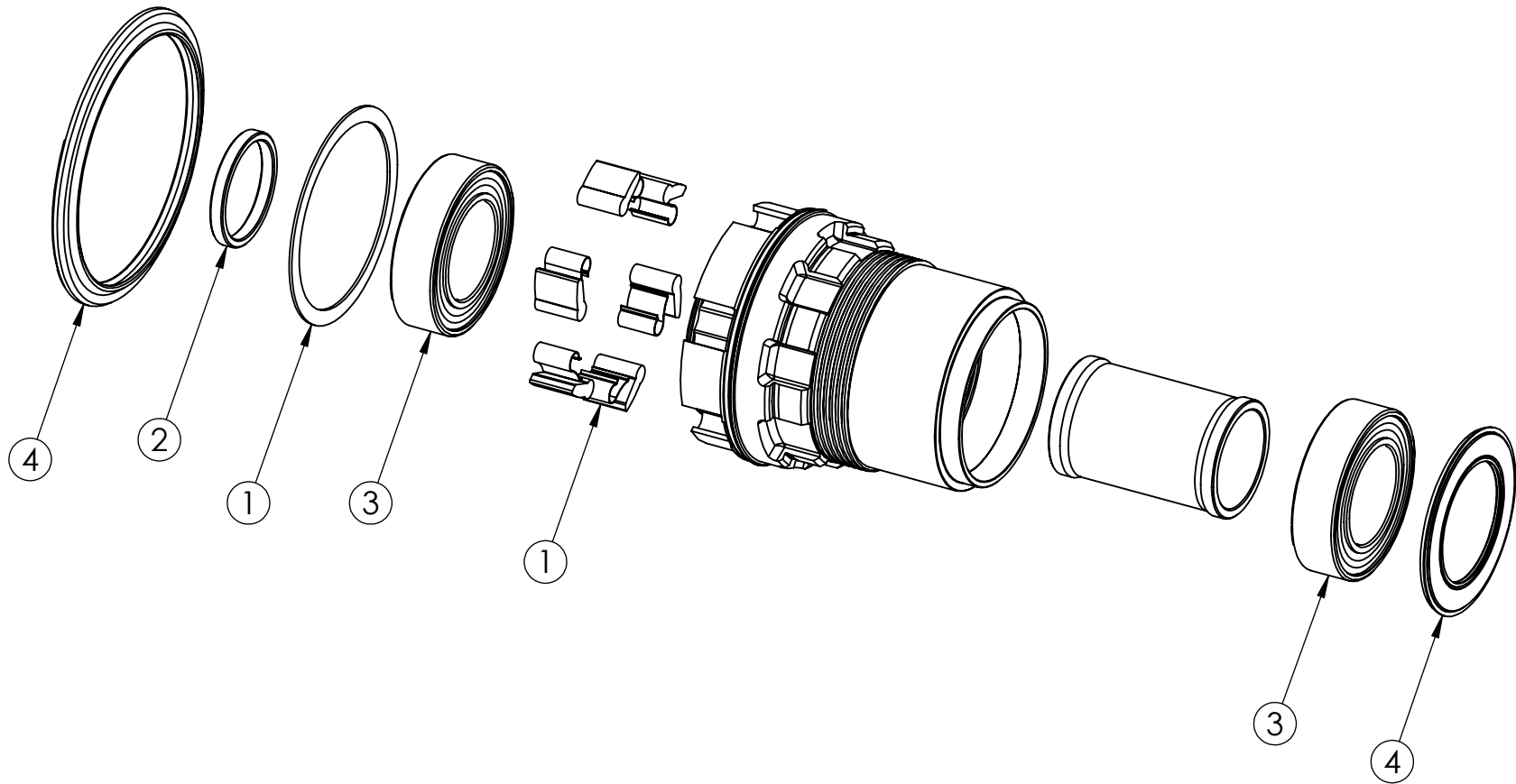
FREEHUB, STANS, NEO, 6-PAWL, SHIMANO

2

1

B

B



A

A

#	KIT #	KIT DESCRIPTION
1	ZH0800	KIT, NEO, SPRING AND PAWL 6PC
2	ZH0798	KIT, NEO, FREEHUB SPACER (RED)
*	ZH0814	KIT, BEARING, #15267, 15X26X7MM, CHROME (GRAY) 2PC
3	ZH0815	KIT, BEARING, #15267, 15X26X7MM, STAINLESS (ORANGE) 2PC
4	ZH0799	KIT, NEO, FREEHUB SEALS (BLACK)

* denotes optional hub configuration



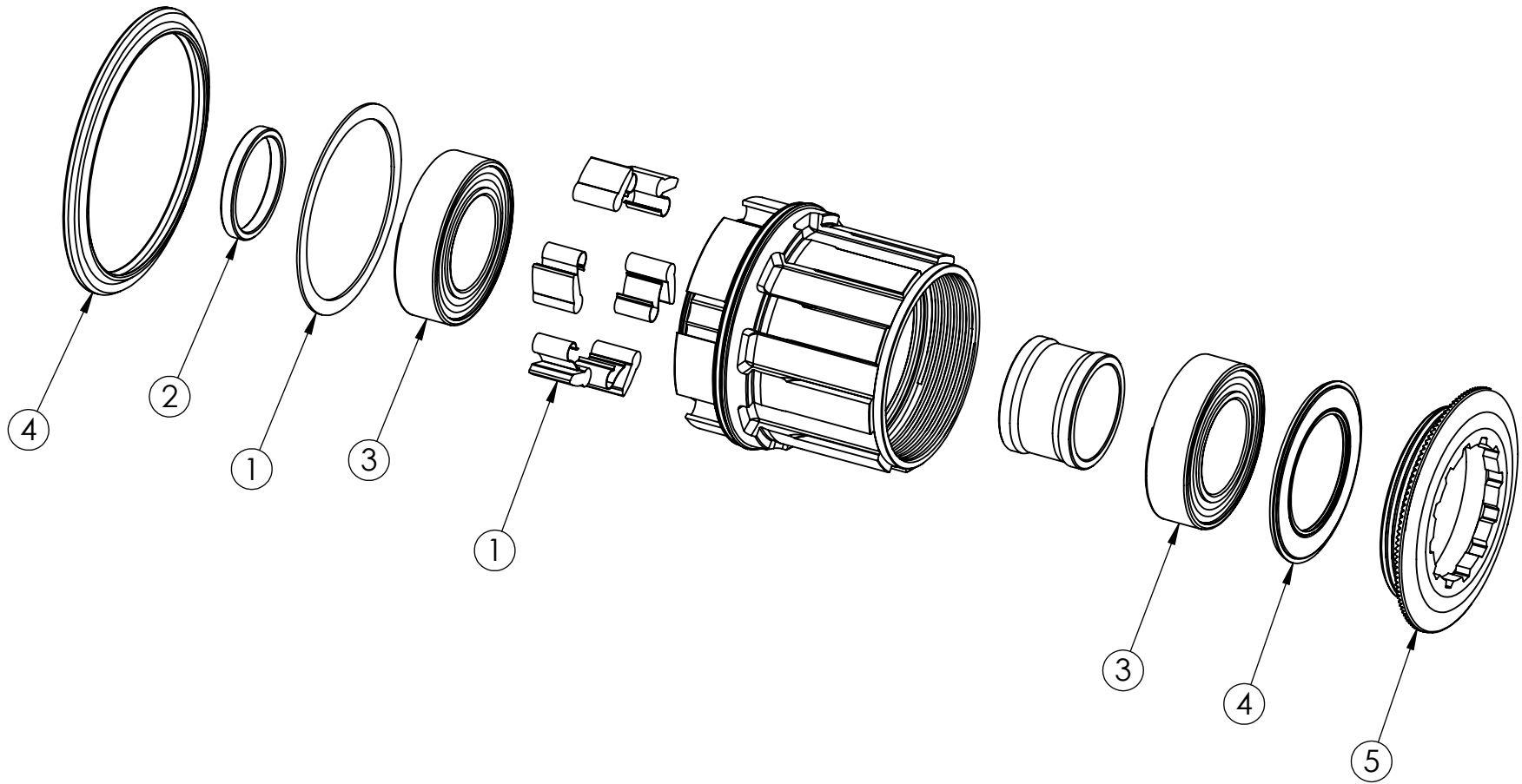
FREEHUB, STANS, NEO, 6-PAWL, SRAM XD

2

1

B

B



A

A

#	KIT #	KIT DESCRIPTION
1	ZH0800	KIT, NEO, SPRING AND PAWL 6PC
2	ZH0798	KIT, NEO, FREEHUB SPACER (RED)
3	ZH0814	KIT, BEARING, #15267, 15X26X7MM, CHROME (GRAY) 2PC
*	ZH0815	KIT, BEARING, #15267, 15X26X7MM, STAINLESS (ORANGE) 2PC
4	ZH0799	KIT, NEO, FREEHUB SEALS (BLACK)
5	ZH0803	KIT, NEO, SINGLESPEED LOCKRING
*	ZH0804	KIT, NEO, SINGLESPEED SPACER KIT

* denotes optional hub configuration



FREEHUB, STANS, NEO, 6-PAWL, SINGLESPEED

2

1

2

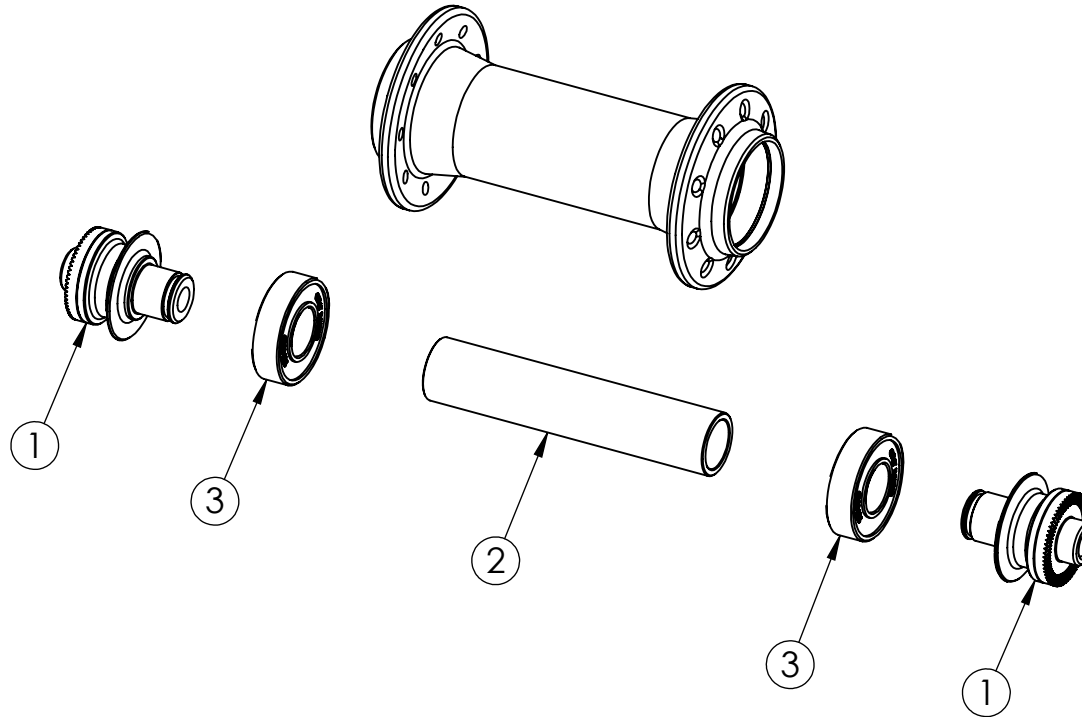
1

EIS-010 NEO INTERACTIVE HUB SERIES MANUAL R2

	LEFT(DISC)	RIGHT(DRIVE)
FLANGE ϕ (mm)	32	32
CTR TO FLANGE (mm)	32.5	32.5

B

B



A

A

#	KIT #	KIT DESCRIPTION	KIT CONTENTS
1	ZH0960	KIT, NEO R, END CAPS, FRONT, 9MM QR	E23
2	ZH0797	KIT, NEO, AXLE SPACER, FRONT, 9X100, LTE	S24
3	ZH0959	KIT, BEARING, #6900, 10X22X6MM, STAINLESS (ORANGE) 2PC	
*	ZH0958	KIT, BEARING, #6900, 10X22X6MM, CHROME (GRAY) 2PC	
**	ZH0813	KIT, NEO, END CAP SEALS, FRONT AND REAR	
* denotes optional hub configuration			
**includes seals for all configurations			

STANS
NO TUBES™

HUB, FRONT, STANS, NEO R, 9MM, QR

2

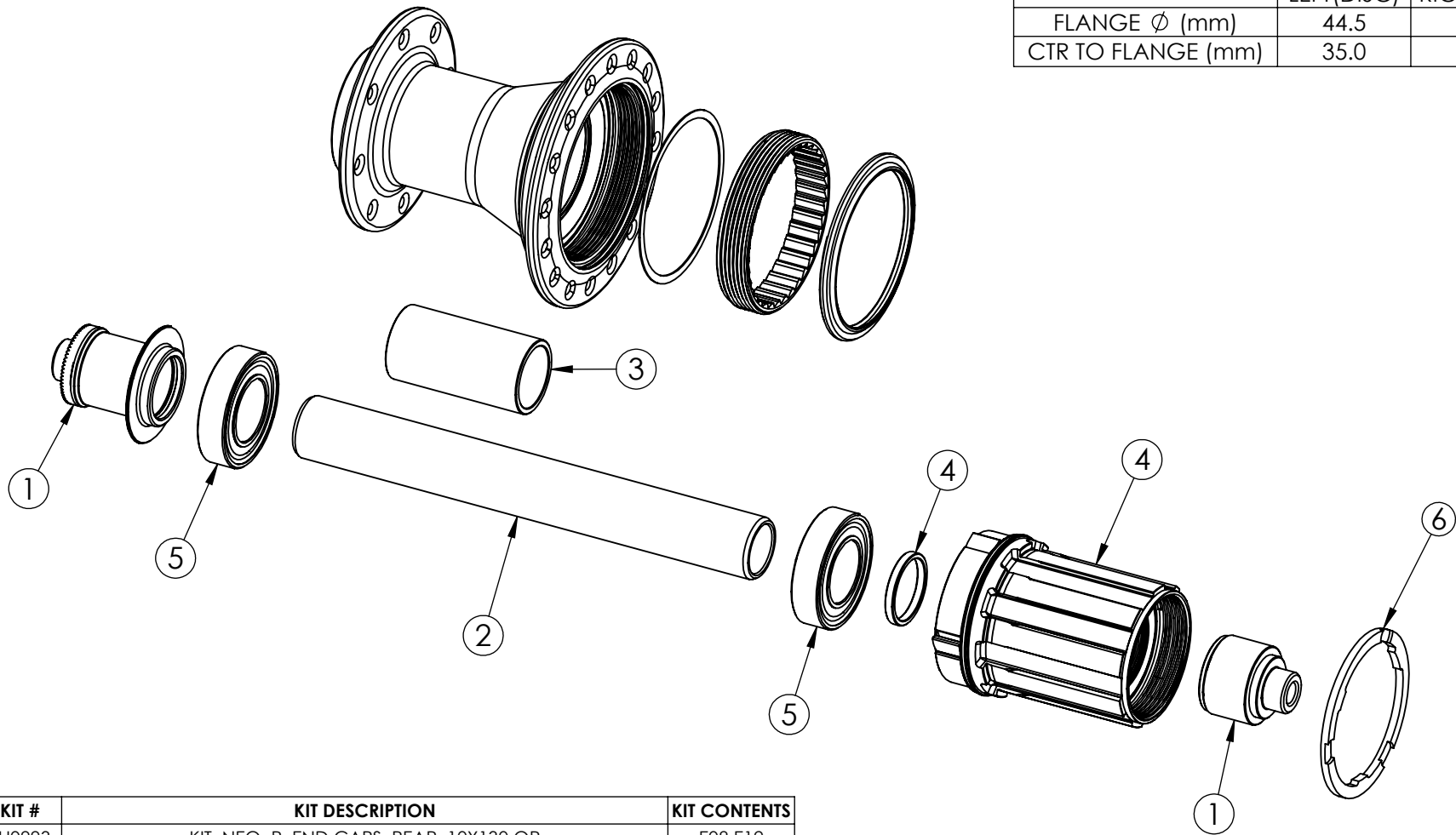
1

2

1

EIS-010 NEO INTERACTIVE HUB SERIES MANUAL R2

	LEFT(DISC)	RIGHT(DRIVE)
FLANGE ϕ (mm)	44.5	55.5
CTR TO FLANGE (mm)	35.0	15.0



#	KIT #	KIT DESCRIPTION	KIT CONTENTS
1	ZH0993	KIT, NEO, R, END CAPS, REAR, 10X130 QR	E08,E12
*	ZH0825	KIT, NEO, QR, 130MM LEVER	
2	ZH0785	KIT, NEO, AXLE, REAR, 12X130	A05
3	ZH0791	KIT, NEO, AXLE SPACER, REAR, 12X130, LTE	S08
4	ZH0805	KIT, NEO, FREEHUB, 4-PAWL, SHIMANO (BLACK)	
*	ZH0806	KIT, NEO, FREEHUB, 4-PAWL, SRAM XD (BLACK)	
*	ZH0808	KIT, NEO, FREEHUB, 4-PAWL, CAMPY (BLACK)	
5	ZH0816	KIT, BEARING, #6902,15X28X7MM, CHROME (GRAY) 2PC	
*	ZH0817	KIT, BEARING, #6902,15X28X7MM, STAINLESS (ORANGE) 2PC	
6	ZH0802	KIT, NEO, CASSETTE SPACER, 10SP (SILVER)	
**	ZH0813	KIT, NEO, END CAP SEALS, FRONT AND REAR	
**	ZH0799	KIT, NEO, FREEHUB SEALS	
* denotes optional hub configuration			
**includes seals for all configurations			

STANS
NO TUBES™

HUB, REAR, STANS, NEO R, 10X130, QR

2

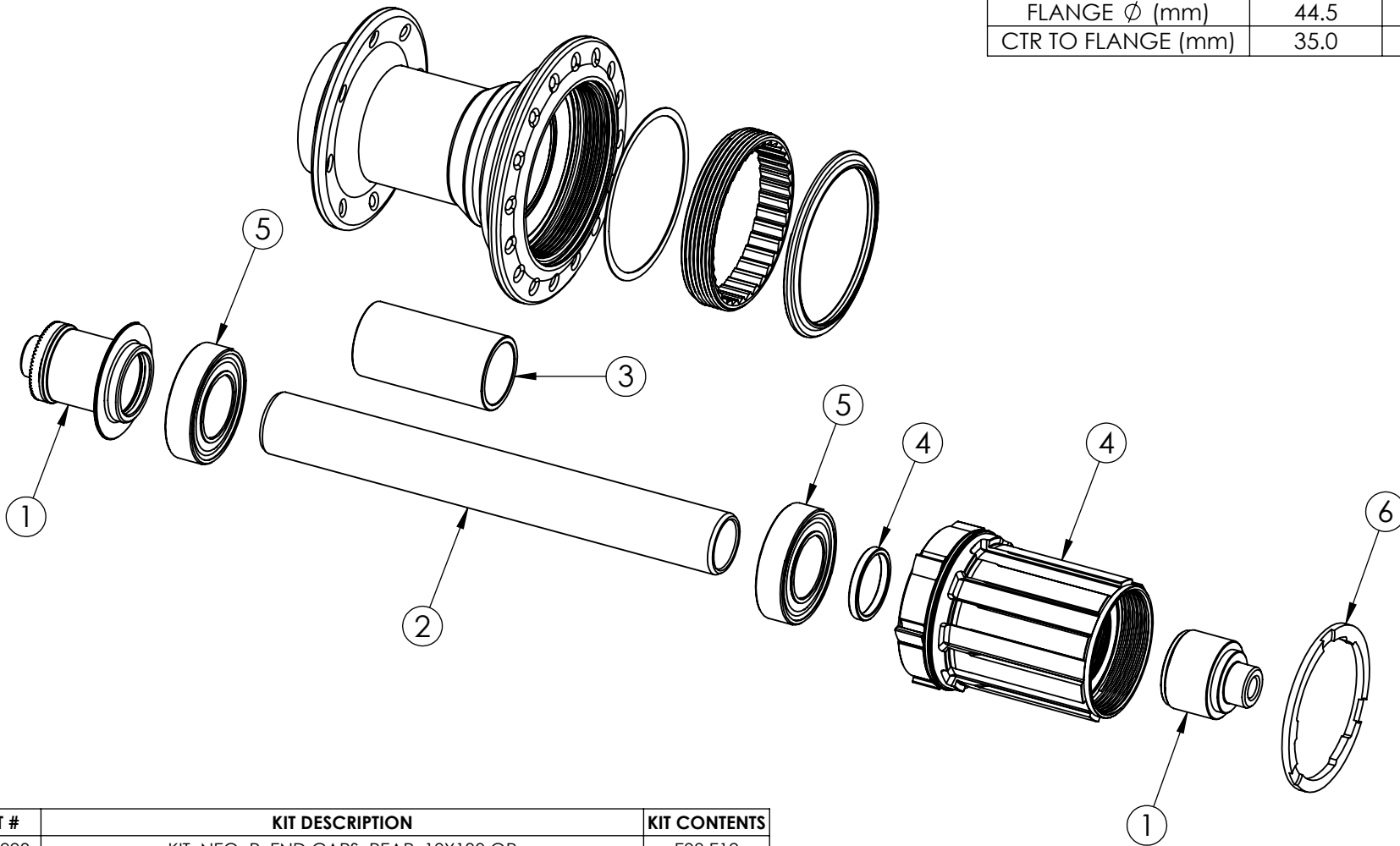
1

2

1

EIS-010 NEO INTERACTIVE HUB SERIES MANUAL R2

	LEFT(DISC)	RIGHT(DRIVE)
FLANGE ϕ (mm)	44.5	55.5
CTR TO FLANGE (mm)	35.0	15.0



#	KIT #	KIT DESCRIPTION	KIT CONTENTS
1	ZH0993	KIT, NEO, R, END CAPS, REAR, 10X130 QR	E08,E12
*	ZH0825	KIT, NEO, QR, 130MM LEVER	
2	ZH0785	KIT, NEO, AXLE, REAR, 12X130	A05
3	ZH0791	KIT, NEO, AXLE SPACER, REAR, 12X130, LTE	S08
4	ZH0809	KIT, NEO, FREEHUB, 6-PAWL, SHIMANO (GRAY)	
*	ZH0810	KIT, NEO, FREEHUB, 6-PAWL, SRAM XD (GRAY)	
*	ZH0812	KIT, NEO, FREEHUB, 6-PAWL, CAMPY (GRAY)	
5	ZH0817	KIT, BEARING, #6902,15X28X7MM, STAINLESS (ORANGE) 2PC	
6	ZH0802	KIT, NEO, CASSETTE SPACER, 10SP (SILVER)	
**	ZH0813	KIT, NEO, END CAP SEALS, FRONT AND REAR	
**	ZH0799	KIT, NEO, FREEHUB SEALS	
* denotes optional hub configuration			
**includes seals for all configurations			

STANS
NO TUBES™

HUB, REAR, STANS, NEO ULT R, 10X130, QR

2

1

NEO & NEO ULTIMATE HUB ENDCAPS - FRONT PG. 1

NON-DISC
QR 9x100
 ZH0960



ZH0827 / E23

ZH0827 / E23

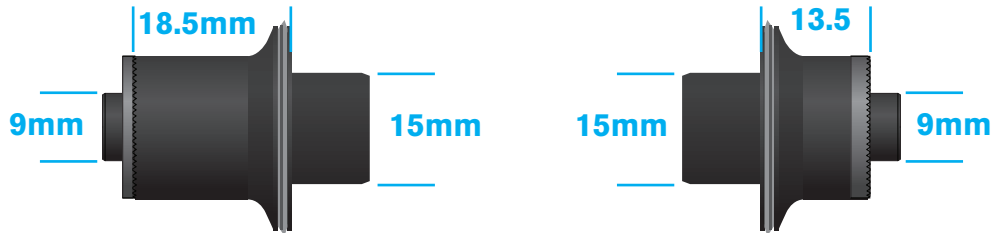
QR 9x100/110
 ZH0772



ZH0601 / E04

ZH0601 / E04

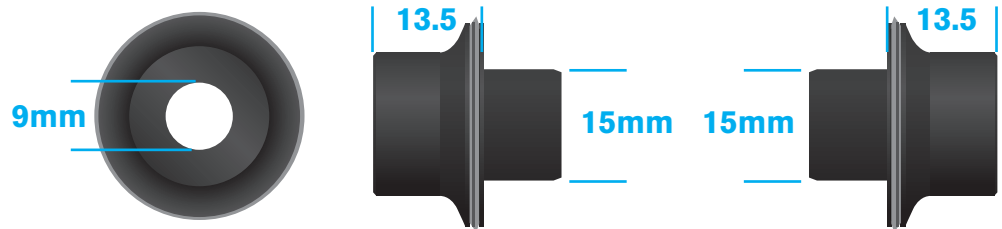
QR 9x100/110 CL
 ZH0954



ZH0829 / E21

ZH0601 / E04

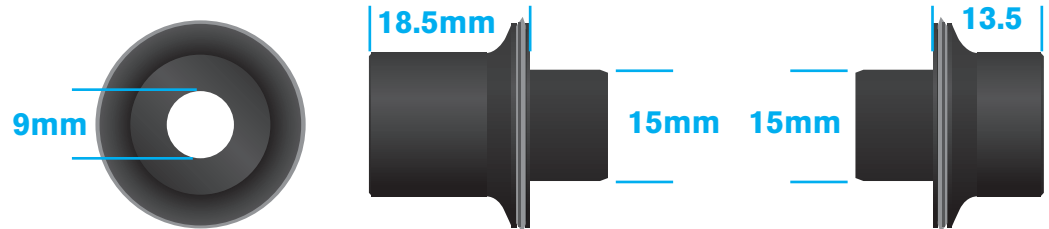
TA 9x100/110
 ZH0773



ZH0599 / E03

ZH0599 / E03

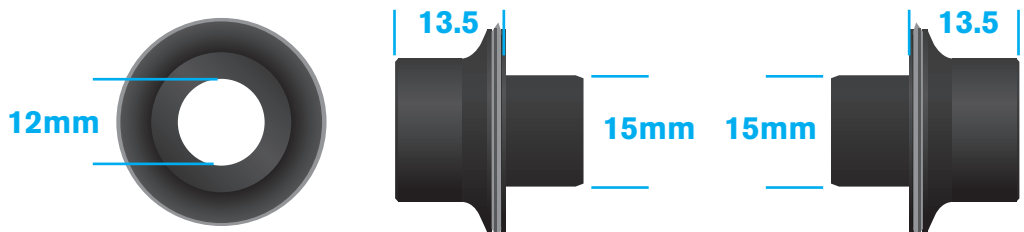
TA 9x100/110 CL
 ZH0986



ZH0978 / E26

ZH0599 / E03

TA 12x100
 ZH0774

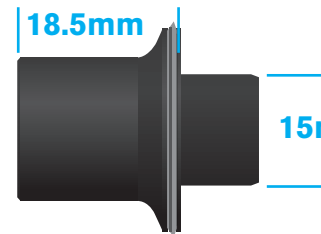
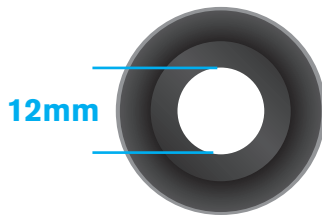


ZH0695 / E02

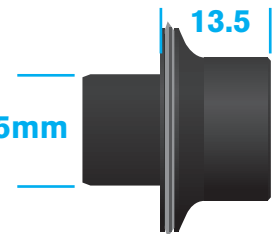
ZH0695 / E02

NEO & NEO ULTIMATE HUB ENDCAPS - FRONT PG. 2

TA 12x100 CL
ZH0955

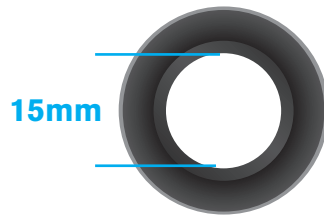


ZH0830 / E22



ZH0695 / E02

TA 15x100/110
ZH0771

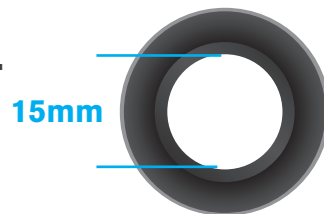


ZH0600 / E01



ZH0600 / E01

TA 15x100/110 CL
ZH0953

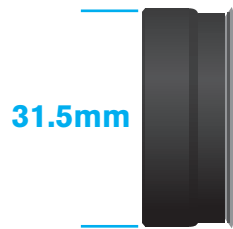


ZH0828 / E20

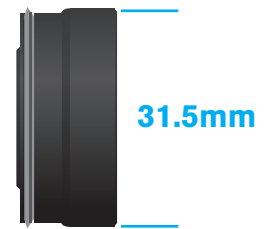


ZH0600 / E01

TORQUE CAPS
15x100/110
ZH0985

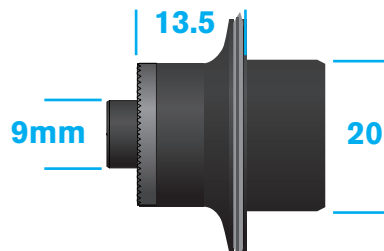


ZH0980 / E28

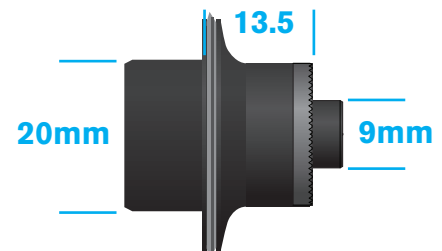


ZH0980 / E28

OS QR 9x100/110
ZH0777

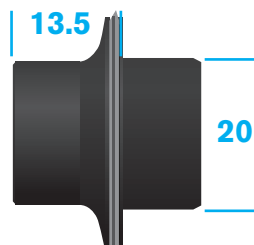
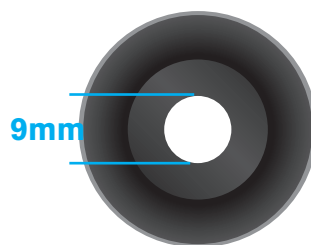


ZH0604 / E07

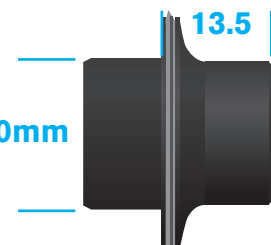


ZH0604 / E07

OS TA 9x100/110
ZH0982



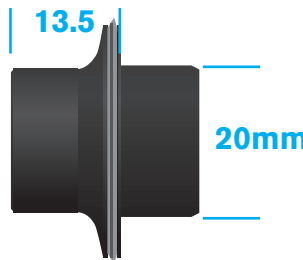
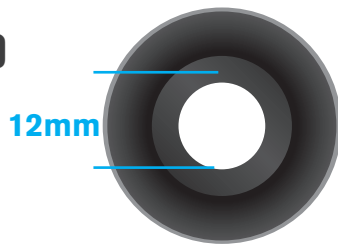
ZH0976 / E24



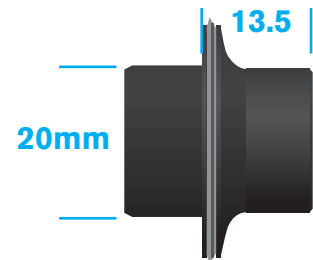
ZH0976 / E24

NEO & NEO ULTIMATE HUB ENDCAPS - FRONT PG. 3

OS TA 12x100
ZH0983

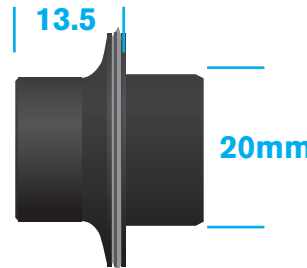
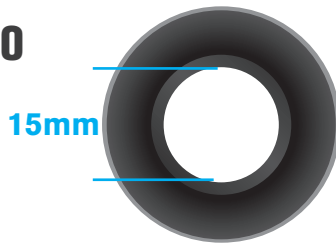


ZH0977 / E25

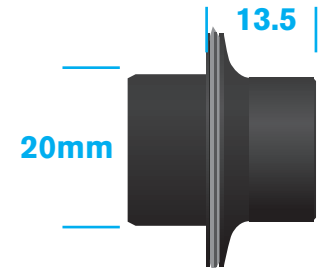


ZH0977 / E25

OS TA 15x100/110
ZH0776

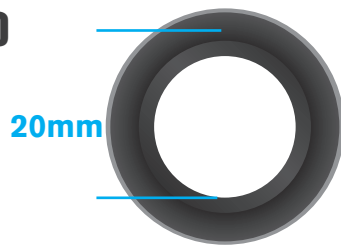


ZH0603 / E06



ZH0603 / E06

OS TA 20x110
ZH0775

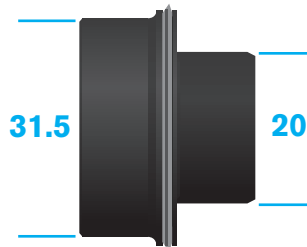


ZH0602 / E05

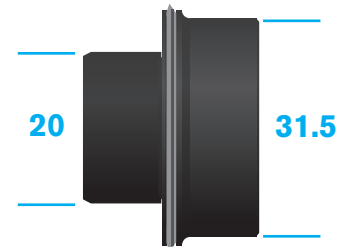


ZH0602 / E05

OS TORQUE CAPS
15x100/110
ZH0984



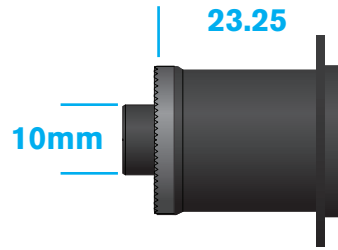
ZH0981 / E29



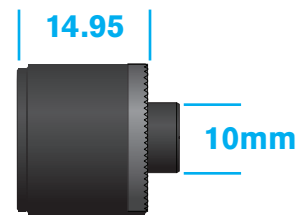
ZH0981 / E29

NEO & NEO ULTIMATE HUB ENDCAPS - REAR PG. 1

**NON-DISC
QRx130
ZH0993**

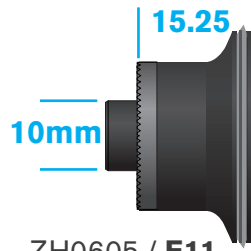


ZH0713 / E08

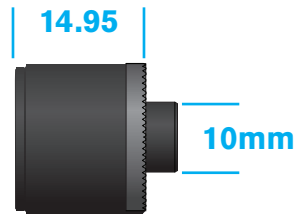


ZH0606 / E12

**QR 10x135/141
ZH0780**

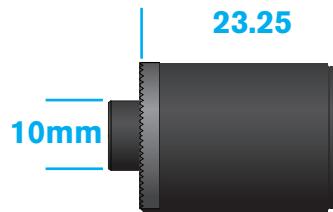


ZH0605 / E11

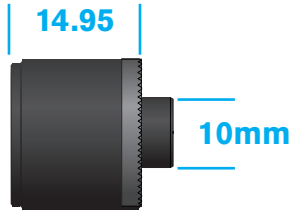


ZH0606 / E12

**QR 10x135/141 CL
ZH0957**

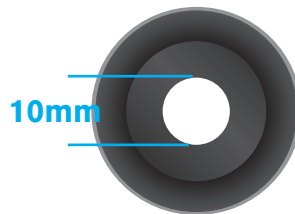


ZH0831 / E17



ZH0606 / E12

**TA 10x135/141/150
ZH0781**

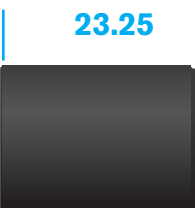


ZH0709 / E09



ZH0710 / E10

**TA 10x135/141/150 CL
ZH0987**

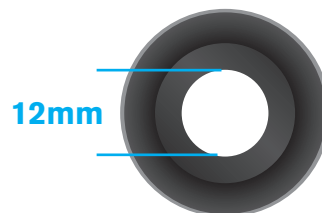


ZH0979 / E27



ZH0710 / E10

**TA 12x135/150
ZH0778**



ZH0607 / E13



ZH0608 / E14

NEO & NEO ULTIMATE HUB ENDCAPS - REAR PG. 2

TA 12x135/150 CL
ZH0988

12mm



23.25



ZH0832 / E18

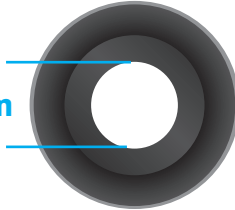
14.95



ZH0608 / E14

TA 12x142/148/157
ZH0779

12mm



18.75



ZH0609 / E15

18.45



ZH0610 / E16

TA 12x142/148/157 CL
ZH0956

12mm



26.75



ZH0833 / E19

18.45



ZH0610 / E16
