

The logo for Stan's NOTUBES is centered on a black background. It consists of a white rectangular border containing the text. The word "Stan's" is written in a white, cursive script font on a red rectangular background. To its right, the word "NOTUBES" is written in a large, bold, white, sans-serif font on a black rectangular background. A small registered trademark symbol (®) is located at the top right corner of the white border.

Stan's NOTUBES[®]

Hub Catalog: Stan's 3.30 Series

TABLE OF CONTENTS

3.30 DISC

3.30 DISC	FRONT	ZH0102	HUB, FRONT, STANS, 3.30, 6B, 24H, 9MM, QR, BLACK
3.30 DISC	FRONT	ZH0103	HUB, FRONT, STANS, 3.30, 6B, 28H, 9MM, QR, BLACK
3.30 DISC	FRONT	ZH0001	HUB, FRONT, STANS, 3.30, 6B, 32H, 9MM, QR, BLACK
3.30 DISC	FRONT	ZH0212	HUB, FRONT, STAN'S 3.30, 6B, 24H, 9MM, QR, BLACK, STAINLESS
3.30 DISC	FRONT	ZH0330	HUB, FRONT, STANS, 3.30, 6B, 28H, 9MM, QR, BLACK, STAINLESS
3.30 DISC	FRONT	ZH0183	HUB, FRONT, STANS, 3.30, 6B, 28H, 15MM, THRU, BLACK
3.30 DISC	FRONT	ZH0138	HUB, FRONT, STANS, 3.30, 6B, 32H, 15MM, THRU, BLACK
3.30 DISC	REAR	ZH0104	HUB, REAR, STANS, 3.30, 6B, 28H, 10X135, QR, BLACK, SHIMANO
3.30 DISC	REAR	ZH0002	HUB, REAR, STANS, 3.30, 6B, 32H, 10X135, QR, BLACK, SHIMANO
3.30 DISC	REAR	ZH0197	HUB, REAR, STANS, 3.30, 6B, 32H, 10X135, QR, BLACK, SRAM XD
3.30 DISC	REAR	ZH0084	HUB, REAR, STANS, 3.30, 6B, 32H, 12x142, THRU, BLACK, SHIMANO
3.30 DISC	REAR	ZH0184	HUB, REAR, STANS, 3.30, 6B, 28H, 12x142, THRU, BLACK, SRAM XD
3.30 DISC	REAR	ZH0196	HUB, REAR, STANS, 3.30, 6B, 32H, 12x142, THRU, BLACK, SRAM XD

3.30TI

3.30TI	FRONT	ZH0114	HUB, FRONT, STANS, 3.30TI, 6B, 24H, 9MM, QR, BLACK
3.30TI	FRONT	ZH0176	HUB, FRONT, STANS, 3.30TI, 6B, 28H, 9MM, QR, BLACK
3.30TI	FRONT	ZH0032	HUB, FRONT, STANS, 3.30TI, 6B, 32H, 9MM, QR, BLACK
3.30TI	FRONT	ZH0325	HUB, FRONT, STANS, 3.30TI, 6B, 24H, 15MM, THRU, BLACK
3.30TI	FRONT	ZH0182	HUB, FRONT, STANS, 3.30TI, 6B, 28H, 15MM, THRU, BLACK

3.30TI	FRONT	ZH0087	HUB, FRONT, STANS, 3.30TI, 6B, 32H, 15MM, THRU, BLACK
3.30TI	REAR	ZH0115	HUB, REAR, STANS, 3.30TI, 6B, 28H, 10X135, QR, BLACK, SHIMANO
3.30TI	REAR	ZH0339	HUB, REAR, STANS, 3.30TI, 6B, 28H, 10X135, QR, BLACK, SRAM XD
3.30TI	REAR	ZH0033	HUB, REAR, STANS, 3.30TI, 6B, 32H, 10X135, QR, BLACK, SHIMANO
3.30TI	REAR	ZH0199	HUB, REAR, STANS, 3.30TI, 6B, 32H, 10X135, QR, BLACK, SRAM XD
3.30TI	REAR	ZH0185	HUB, REAR, STANS, 3.30TI, 6B, 28H, 12x142, THRU, BLACK, SHIMANO
3.30TI	REAR	ZH0327	HUB, REAR, STANS, 3.30TI, 6B, 28H, 12x142, THRU, BLACK, SRAM XD
3.30TI	REAR	ZH0088	HUB, REAR, STANS, 3.30TI, 6B, 32H, 12x142, THRU, BLACK, SHIMANO
3.30TI	REAR	ZH0198	HUB, REAR, STANS, 3.30TI, 6B, 32H, 12x142, THRU, BLACK, SRAM XD

3.30HD

3.30HD	FRONT	ZH0051	HUB, FRONT, STANS, 3.30HD, 6B, 32H, 15MM, THRU, BLACK
3.30HD	FRONT	ZH0003	HUB, FRONT, STANS, 3.30HD, 6B, 32H, 20MM, THRU, BLACK
3.30HD	REAR	ZH0017	HUB, REAR, STANS, 3.30HD, 6B, 32H, 12X135, THRU, BLACK, SHIMANO
3.30HD	REAR	ZH0111	HUB, REAR, STANS, 3.30HD, 6B, 32H, 12X142, THRU, BLACK, SHIMANO
3.30HD	REAR	ZH0200	HUB, REAR, STANS, 3.30HD, 6B, 32H, 12x142, THRU, BLACK, SRAM XD
3.30HD	REAR	ZH0018	HUB, REAR, STANS, 3.30HD, 6B, 32H, 12X150, THRU, BLACK, SHIMANO
3.30HD	REAR	ZH0177	HUB, REAR, STANS, 3.30HD, 6B, 32H, 12X157, THRU, BLACK, SHIMANO
3.30HD	REAR	ZH0343	HUB, REAR, STANS, 3.30HD, 6B, 32H, 12X157, THRU, BLACK, SRAM XD

3.30SS

3.30SS	REAR	ZH0219	HUB, REAR, STANS, 3.30SS, 6B, 32H, QR, BLACK (12x135, 12x142, 10x135 COMPATIBLE)
3.30SS	REAR	ZH0334	HUB, REAR, STANS, 3.30SS, 6B, 32H, 10X135, BLACK, SHIMANO

3.30SS	REAR	ZH0016	HUB, REAR, STANS, 3.30SS, 6B, 32H, 10X135, QR, BLACK, SHIMANO
3.30SS	REAR	ZH0218	HUB, REAR, STANS, 3.30SS, 6B, 32H, 12X142, THRU, BLACK, SHIMANO
3.30SS	REAR	ZH0333	HUB, REAR, STANS, 3.300SS, 6B, 32H, 12X135, THRU, BLACK SHIMANO

3.30R

3.30R	FRONT	ZH0071	HUB, FRONT, STANS, 3.30R, RIM, 24H, 9MM, QR, BLACK, STAINLESS
3.30R	FRONT	ZH0068	HUB, FRONT, STANS, 3.30R, RIM, 28H, 9MM, QR, BLACK
3.30R	REAR	ZH0072	HUB, REAR, STANS, 3.30R, RIM, 28H, 10X130, QR, BLACK, SHIMANO, 10SP (Replaced by ZH0141)
3.30R	REAR	ZH0141	HUB, REAR, STANS, 3.30R, RIM, 28H, 10X130, QR, BLACK, SHIMANO, 11SP
3.30R	REAR	ZH0073	HUB, REAR, STANS, 3.30R, RIM, 28H, 10X130, QR, BLACK, CAMPY
3.30R	REAR	ZH0069	HUB, REAR, STANS, 3.30R, RIM, 32H, 10X130, QR, BLACK, SHIMANO, 10SP
3.30R	REAR	ZH0142	HUB, REAR, STANS, 3.30R, RIM, 32H, 10X130, QR, BLACK, SHIMANO, 11SP
3.30R	REAR	ZH0070	HUB, REAR, STANS, 3.30R, RIM, 32H, 10X130, QR, BLACK, CAMPY

3.30RTI

3.30RTI	FRONT	ZH0074	HUB, FRONT, STANS, 3.30RTI, RIM, 18H, 9MM, QR, BLACK
3.30RTI	REAR	ZH0075	HUB, REAR, STANS, 3.30RTI, RIM, 24H, 10X130, QR, BLACK, SHIMANO, 10SP
3.30RTI	REAR	ZH0124	HUB, REAR, STANS, 3.30RTI, RIM, 24H, 10X130, QR, BLACK, SHIMANO, 11SP
3.30RTI	REAR	ZH0076	HUB, REAR, STANS, 3.30RTI, RIM, 24H, 10X130, QR, BLACK, CAMPY

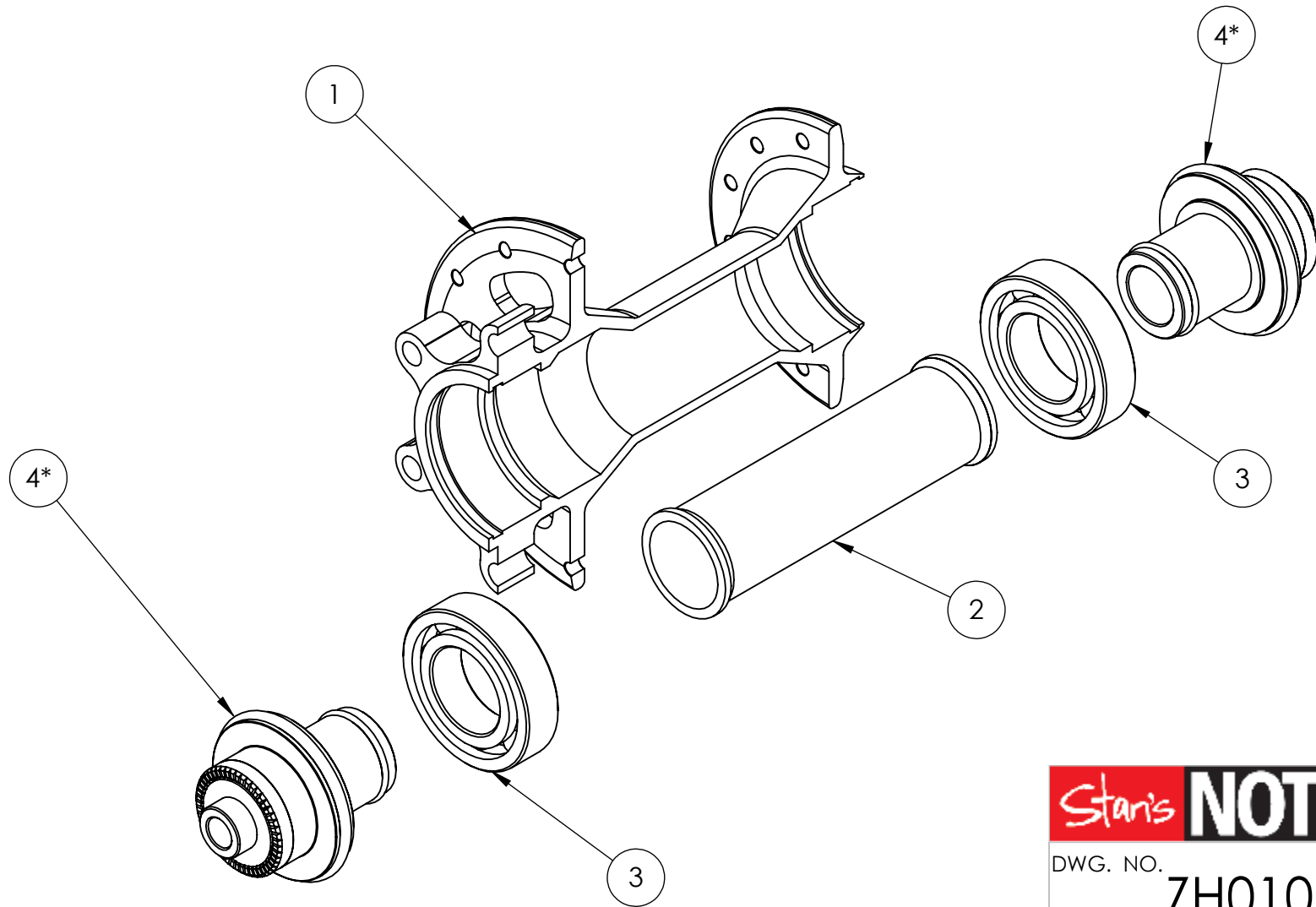
3.30RD and 3.30 RDTI

3.30RD	REAR	ZH0209	HUB, REAR, STANS, 3.30RD, 6B, 28H, 10X135, QR, SHIMANO 11SP
3.30RD	REAR	ZH0214	HUB, REAR, STANS, 3.30RD, 6B, 32H, 10X135, QR, BLACK, SHIMANO 11SP
3.30RD	REAR	ZH0217	HUB, REAR, STANS, 3.30RD, 6B, 32H, 10X135, QR, BLACK, CAMPY
3.30RD	REAR	ZH0213	HUB, REAR, STANS, 3.30RD, 6B, 28H, 10X135, QR, BLACK, STAINLESS, SHIMANO 11SP
3.30RD	REAR	ZH0216	HUB, REAR, STANS, 3.30RD, 6B, 28H, 10X135, QR, BLACK, STAINLESS, CAMPY
3.30RD	REAR	ZH0331	HUB, REAR, STANS, 3.30RD, 6B, 32H, 10X135, QR, BLACK, STAINLESS, SHIMANO 11SP
3.30RDTI	REAR	ZH0211	HUB, REAR, STANS, 3.30RDTI, 6B, 28H, 10X135, QR, BLACK, STAINLESS, SHIMANO 11SP
3.30RDTI	REAR	ZH0215	HUB, REAR, STANS, 3.30RDTI, 6B, 28H, 10X135, QR, BLACK, STAINLESS, CAMPY
3.30RD	REAR	ZH0335	HUB, REAR, STANS, 3.30RD, 6B, 32H, 12x142, THRU, BLACK, SHIMANO 11SP
3.30RD	REAR	ZH0351	HUB, REAR, STANS, 3.30RD, 6B, 28H, 12x142, THRU, BLACK, STAINLESS, SHIMANO 11SP

FREEHUB

ZH0137	FREEHUB, STANS, 3.30R, SHIMANO 11-SPEED, RED
ZH0101	FREEHUB, STANS, 3.30Ti, STAINLESS STEEL BEARINGS, SHIMANO, RED
ZH0043	FREEHUB, STANS, 3.30HD, RED
ZH0042	FREEHUB, STANS, 3.30R, SHIMANO, RED
ZH0022	FREEHUB, STANS, 3.30R, CAMPAGNOLO, RED
ZH0015	FREEHUB, STANS, 3.30SS, SINGLESPEED, RED
ZH0007	FREEHUB, STANS, 3.30, SHIMANO, RED
ZH0163	FREEHUB COMPONENT, STANS, 3.30, XD, RED, NO SPACER OR END CAP
ZH0224	FREEHUB, STANS, 3.30SS, SINGLESPEED, RED [17mm OD axle]
ZH0302	FREEHUB, ASSM., STANS, 3.30R/3.30RTi, CAMPY, STAINLESS BEARINGS

ITEM NO.	PART NUMBER	DESCRIPTION	SECTION/QTY.			LEFT (DISC)	RIGHT	
1	ZH0273	HUB SHELL, FRONT, STANS, 3.30, 24H, BLK	1			FLANGE Ø	58.0 MM	45.0 MM
2	ZH0094	SLEEVE, 60.15MM,	1			CTR TO FLANGE	23.0 MM	35.0 MM
3	ZH0010	BEARING, 6902, 15x28x7, CHROME	2					
4*	ZH0247	END CAP, FRONT,STANS, 3.30/3.30TI, QR	2		* PAIRED KIT # ZH0118			

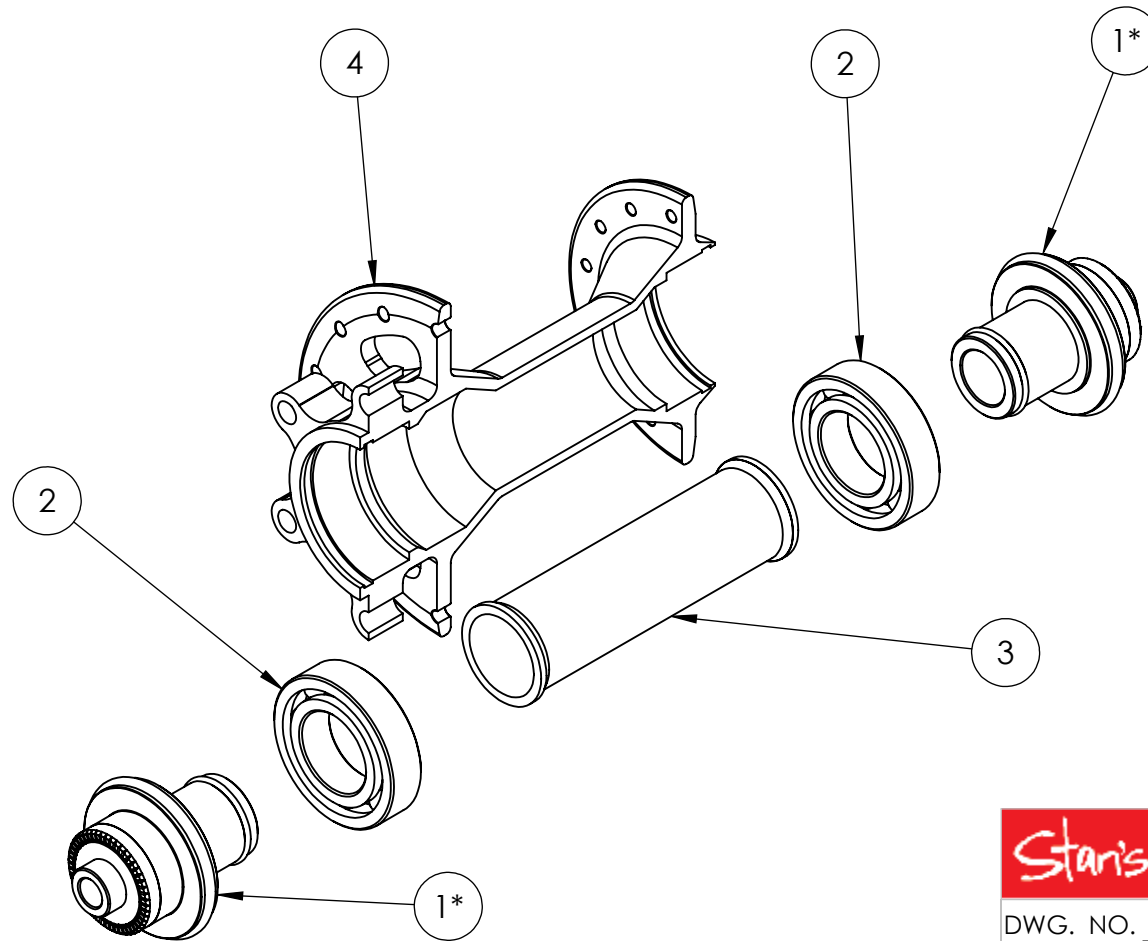


DWG. NO. ZH0102

DESCRIPTION:
HUB, FRONT, STANS, 3.30, 6B, 24H, QR, STEEL INSERTS, BLACK, STAINLESS

ITEM NO.	PART NUMBER	DESCRIPTION	SECTION/QTY.	
1*	ZH0247	END CAP, FRONT, STANS, 3.30/3.30TI, QR	2	* PAIRED KIT # ZH0118
2	ZH0010	BEARING, 6902, 15x28x7, CHROME	2	
3	ZH0094	SLEEVE, 60.15MM,	1	
4	ZH0274	HUB SHELL, FRONT, STANS, 3.30, 28H, BLK	1	

	LEFT (DISC)	RIGHT
FLANGE ϕ	58.0 MM	45.0 MM
CTR TO FLANGE	23.0 MM	35.0 MM



Staris NOTUBES[®]

DWG. NO.

ZH0103

DESCRIPTION:

HUB, FRONT, STANS, 3.30, 6B, 28H, 9MM, QR, BLACK

5

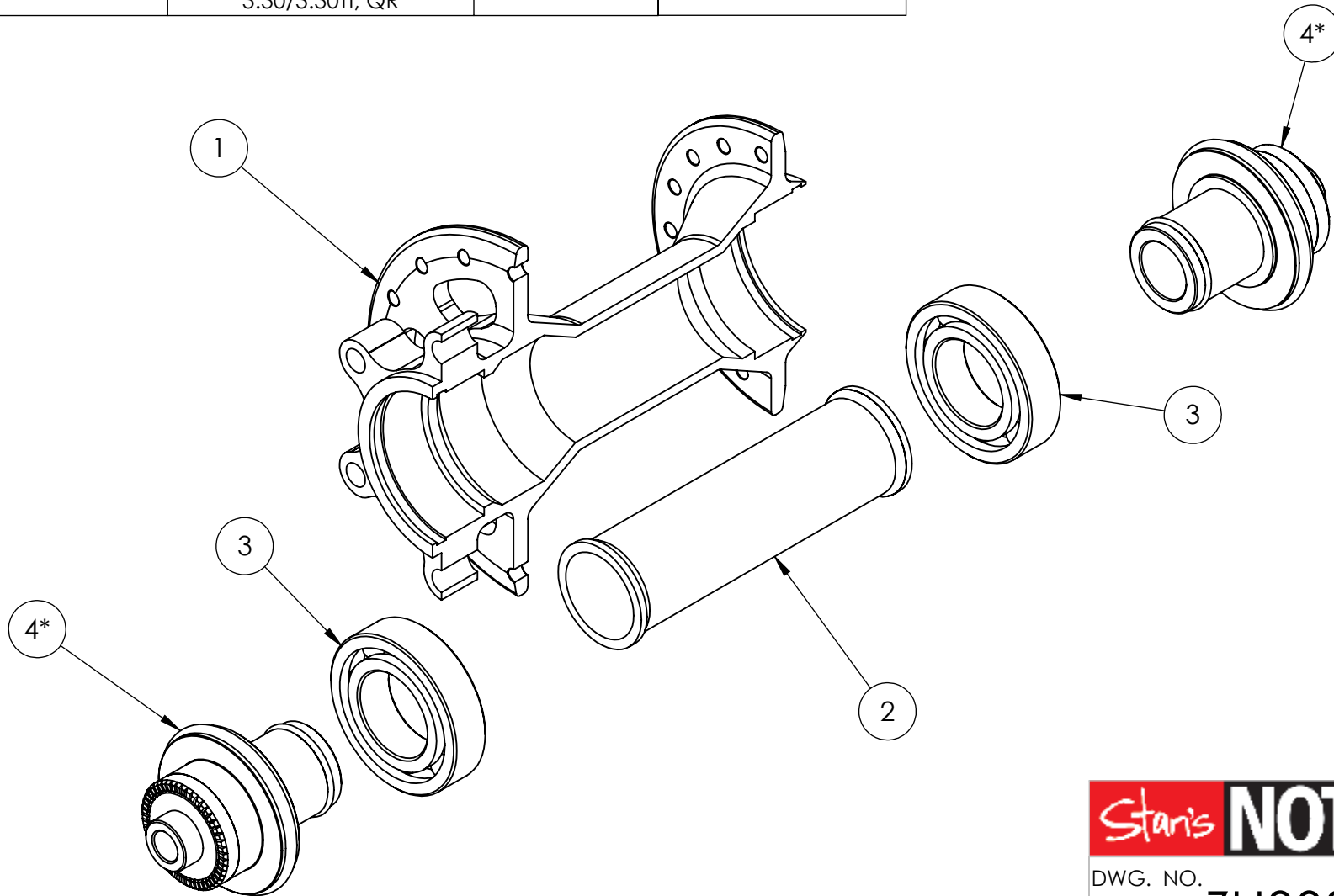
4

3

2

1

ITEM NO.	PART NUMBER	DESCRIPTION	SECTION/QTY.			LEFT (DISC)	RIGHT	
1	ZH0275	HUB SHELL, FRONT, STANS, 3.30, 32H, BLK	1			FLANGE ϕ	58.0 MM	45.0 MM
2	ZH0094	SLEEVE, 60.15MM,	1			CTR TO FLANGE	23.0 MM	35.0 MM
3	ZH0010	BEARING, 6902, 15x28x7, CHROME	2					
4*	ZH0247	END CAP, FRONT, STANS, 3.30/3.30TI, QR	2	* PAIRED KIT # ZH0118				



Star's NOTUBES®

DWG. NO.

ZH0001

DESCRIPTION:

HUB, FRONT, STANS, 3.30, 6B, 32H, 9MM, QR, BLACK

5

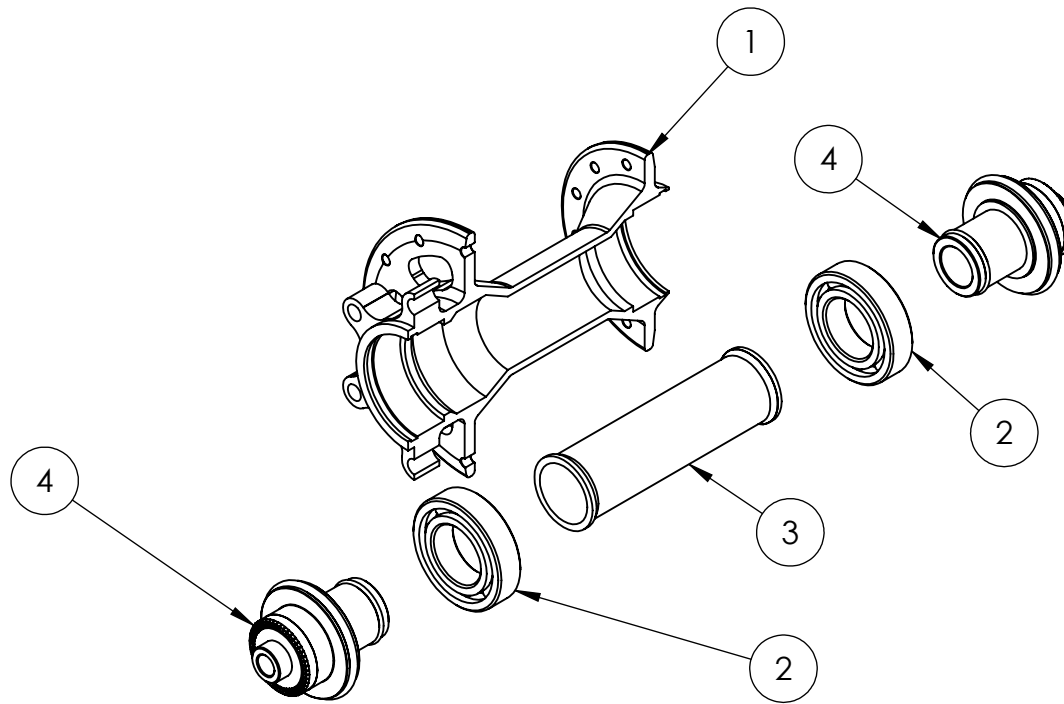
4

3

2

1

ITEM NO.	PART NUMBER	DESCRIPTION	section/QTY.		LEFT (DISC)		RIGHT
					FLANGE ϕ	58.0 MM	45.0 MM
1	ZH0273	HUB SHELL, FRONT, STANS, 3.30, 24H, BLK	1		CTR TO FLANGE	23.0 MM	35.0 MM
2	ZH0097	BEARING, 6902, STAINLESS STEEL, 28x15x7	2				
3	ZH0094	SLEEVE, 60.15MM,	1				
4	ZH0247	END CAP, FRONT,STANS, 3.30/3.30TI, QR	2	*PAIRED KIT # ZH0118			



Star's NOTUBES[®]

DWG. NO.

ZH0212

DESCRIPTION:

HUB, FRONT, STAN'S 3.30, 6B, 24H, 9MM, QR, BLACK, STAINLESS

5

4

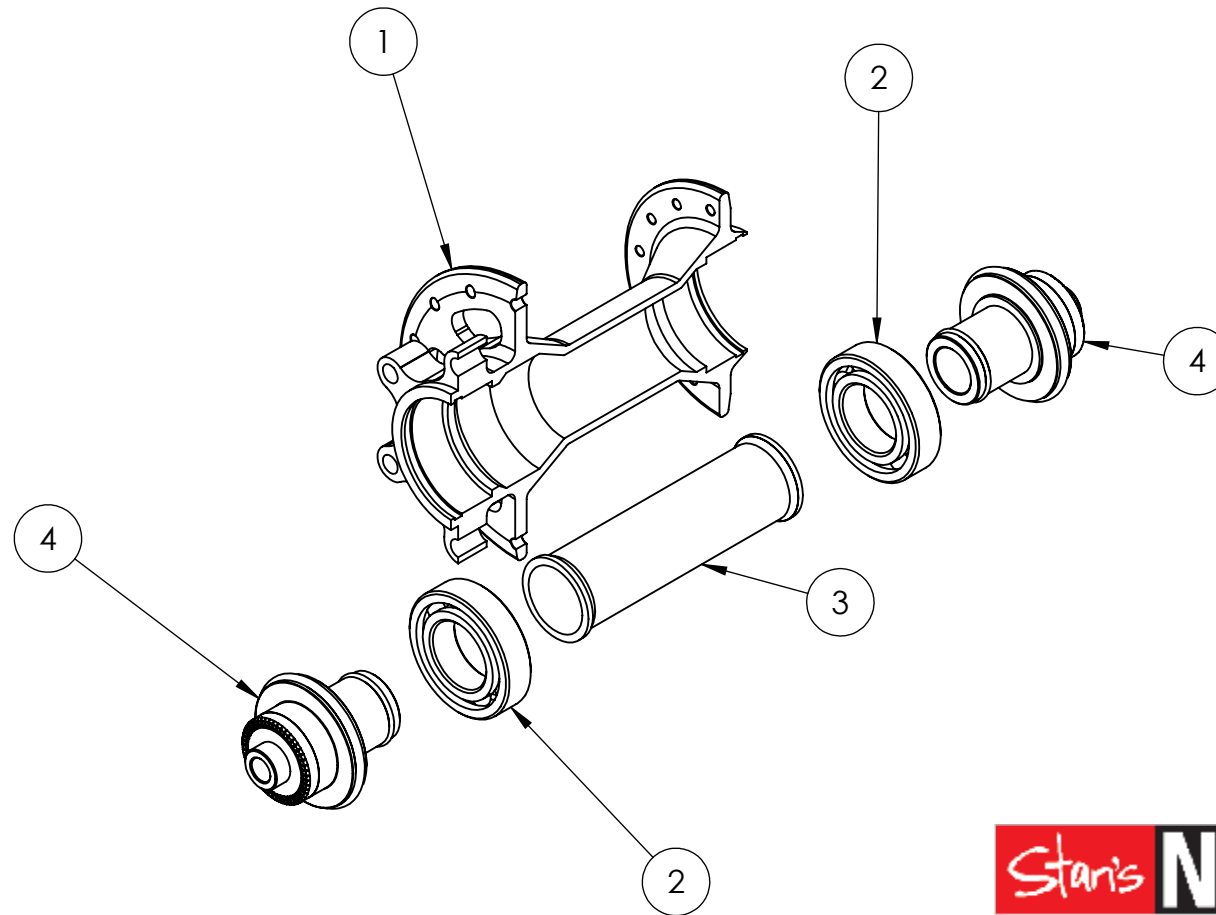
3

2

1

ITEM NO.	PART NUMBER	DESCRIPTION	section/QTY.
1	ZH0274	HUB SHELL, FRONT, STANS, 3.30, 28H, BLK	1
2	ZH0097	BEARING, 6902, STAINLESS STEEL, 28x15x7	2
3	ZH0094	SLEEVE, 60.15MM,	1
4	ZH0247	END CAP, FRONT,STANS, 3.30/3.30TI, QR	2

	LEFT (DISC)	RIGHT
FLANGE ϕ	58.0 MM	45.0 MM
CTR TO FLANGE	23.0 MM	35.0 MM



Staris NOTUBES[®]

DWG. NO.

ZH0330

DESCRIPTION:

HUB, REAR, STANS, 3.30, 6 BOLT, 28H, QR, BLK, STAINLESS BEARINGS

5

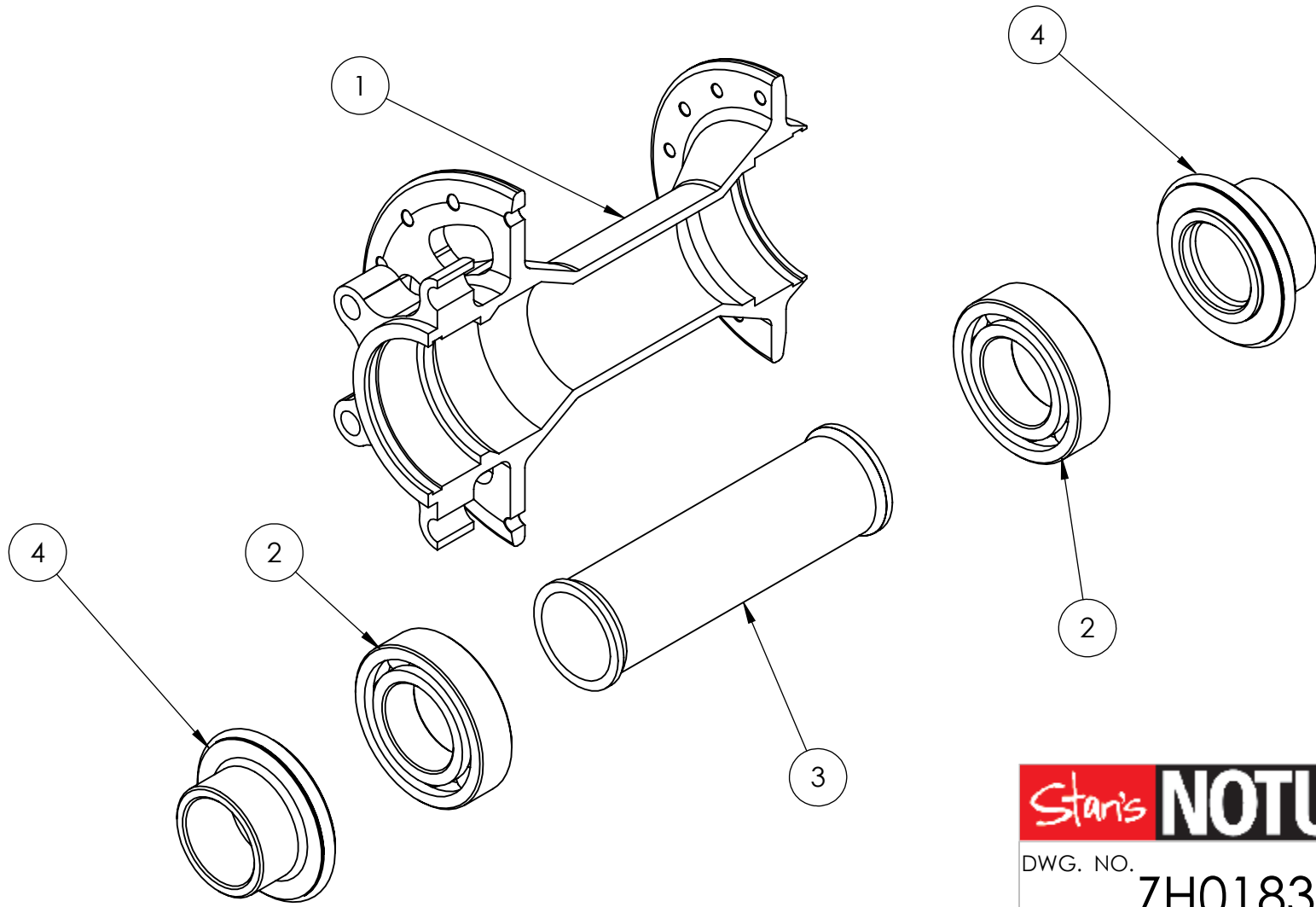
4

3

2

1

ITEM NO.	PART NUMBER	DESCRIPTION	section/QTY.			LEFT (DISC)	RIGHT	
1	ZH0274	HUB SHELL, FRONT, STANS, 3.30, 28H, BLK	1			FLANGE ϕ	58MM	45MM
2	ZH0010	BEARING, 6902, 15x28x7, CHROME	2			CTR TO FLANGE	23MM	35MM
3	ZH0094	SLEEVE, 60.15MM,	1					
4	ZH0304	END CAP, FRONT, STANS, 3.30, 15MM THRU	2		* PAIRED KIT #ZH0004			



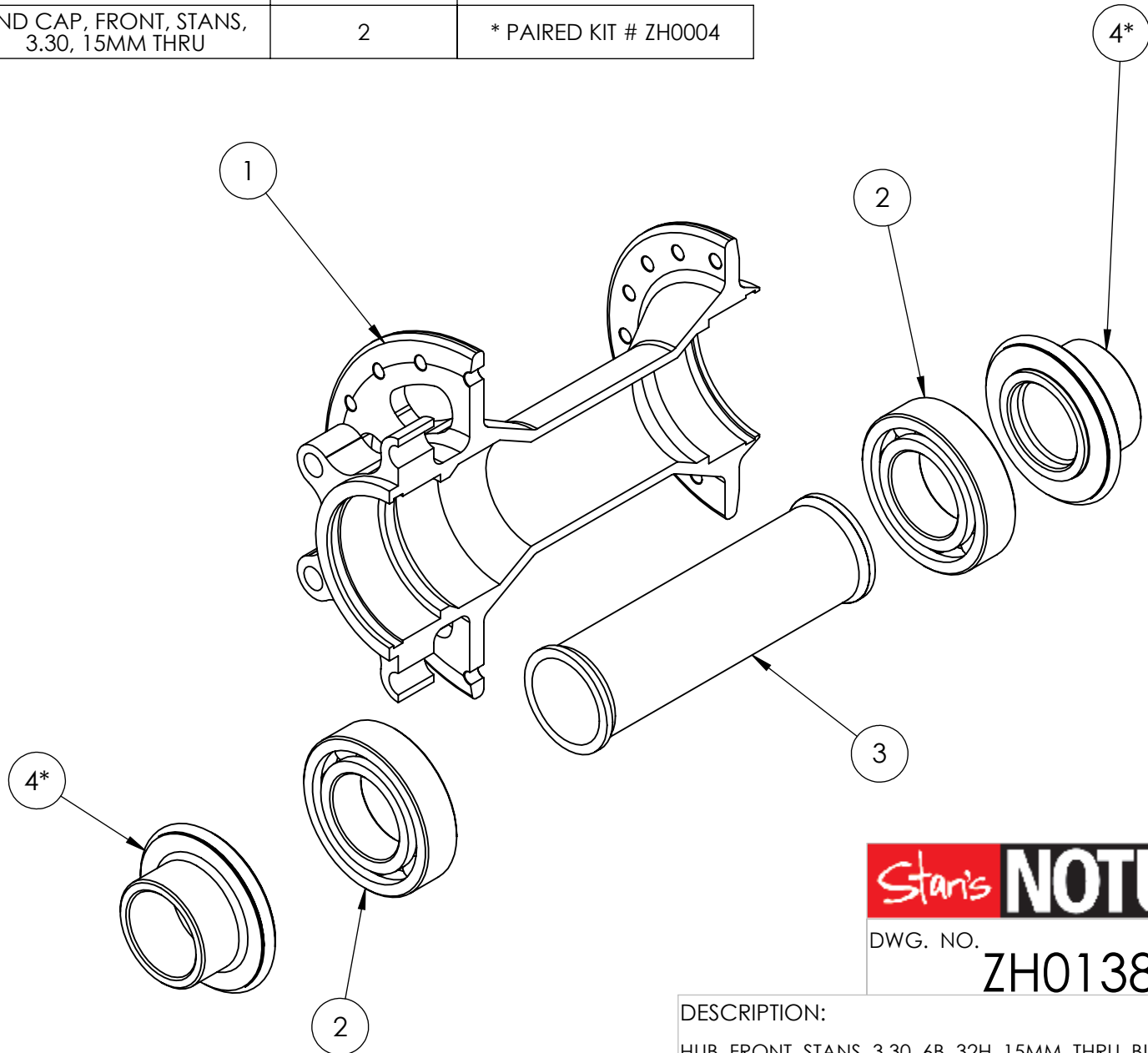
Star's NOTUBES[®]

DWG. NO. **ZH0183**

DESCRIPTION:
HUB, FRONT, STANS, 3.30, 6B, 28H, 15MM, THRU, BLACK

5 4 3 2 1

ITEM NO.	PART NUMBER	DESCRIPTION	HUB SHELL/QTY.			
					LEFT (DISC)	RIGHT
1	ZH0275	HUB SHELL, FRONT, STANS, 3.30, 32H, BLK	1	FLANGE Ø	58.0 MM	45.0 MM
2	ZH0010	BEARING, 6902, 15x28x7, CHROME	2	CNTR TO FLANGE	23.0 MM	35.0 MM
3	ZH0094	SLEEVE, 60.15MM,	1			
4*	ZH0304	END CAP, FRONT, STANS, 3.30, 15MM THRU	2	* PAIRED KIT # ZH0004		



Star's NOTUBES®

DWG. NO.

ZH0138

DESCRIPTION:

HUB, FRONT, STANS, 3.30, 6B, 32H, 15MM, THRU, BLACK

5

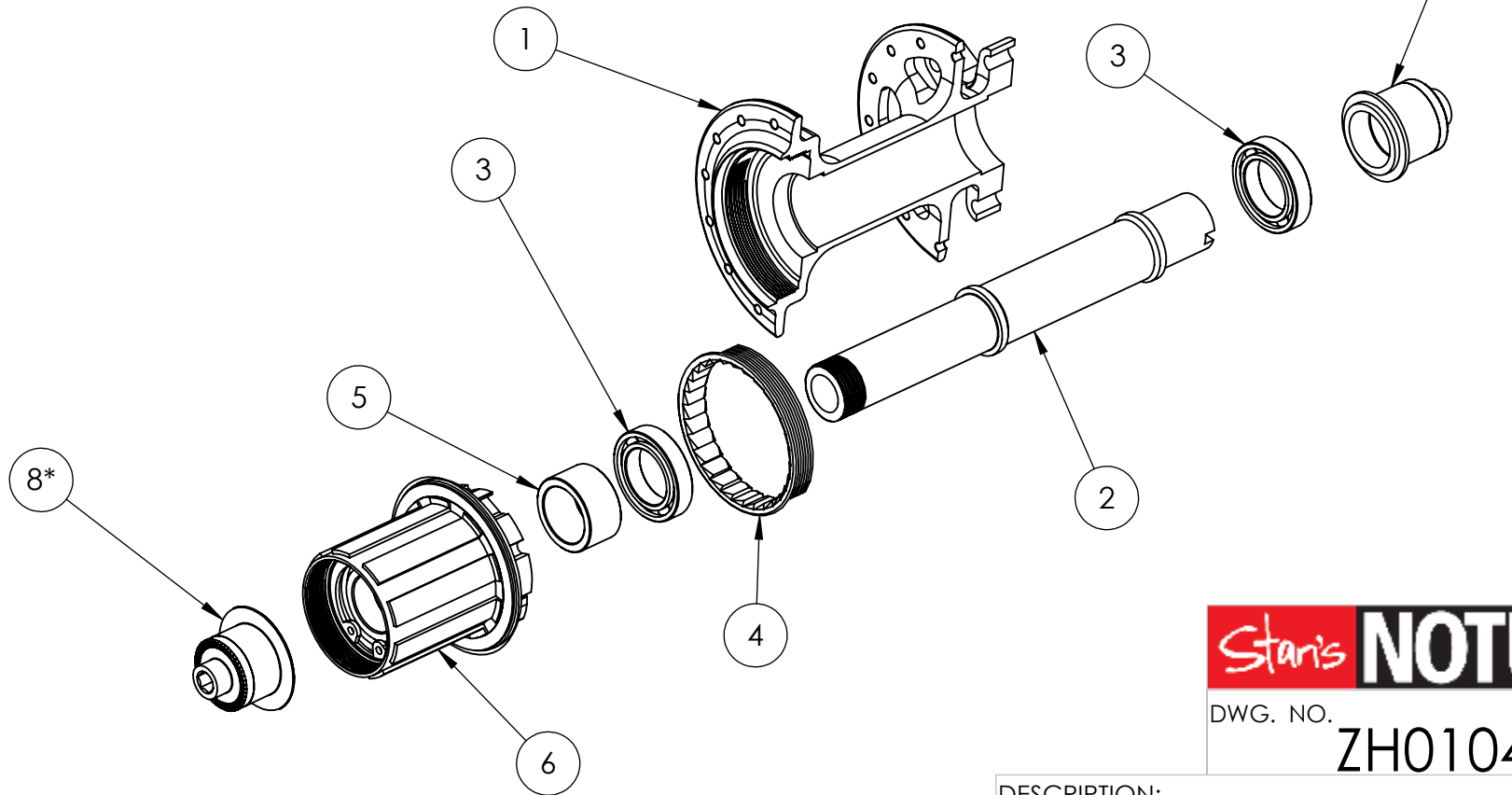
4

3

2

1

ITEM NO.	PART NUMBER	DESCRIPTION	SECTION/QTY.			LEFT (DISC)	RIGHT	
1	ZH0279	HUB SHELL, REAR, STANS, 3.30, 6 BOLT, 28H, BLK	1			FLANGE ϕ	58.0 MM	58.0 MM
2	ZH0113	M10 REAR AXLE TYPE II	1			CTR TO FLANGE	34.0 MM	21.0 MM
3	ZH0011	BEARING, 6802, 24x15x5, CHROME	2					
4	ZH0028	RATCHET RING, FREEHUB, STAN'S, 3.30, 30 TOOTH	1					
5	ZH0045	SPACER, FREEHUB, 3.30, 10.5MM	1					
6	ZH0007	FREEHUB, STANS, 3.30, SHIMANO, RED	1					
7*	ZH0187	END CAP, REAR, STANS, 3.30/3.30Ti, QR, DISC	1		* PAIRED KIT # ZH0112			
8*	ZH0243	END CAP, REAR, STANS, 3.30/3.30Ti, QR, DRIVE	1					



Staris NOTUBES[®]

DWG. NO.

ZH0104

DESCRIPTION:

HUB, REAR, STANS, 3.30, 6B, 28H, 10X135, QR, BLACK, SHIMANO

5

4

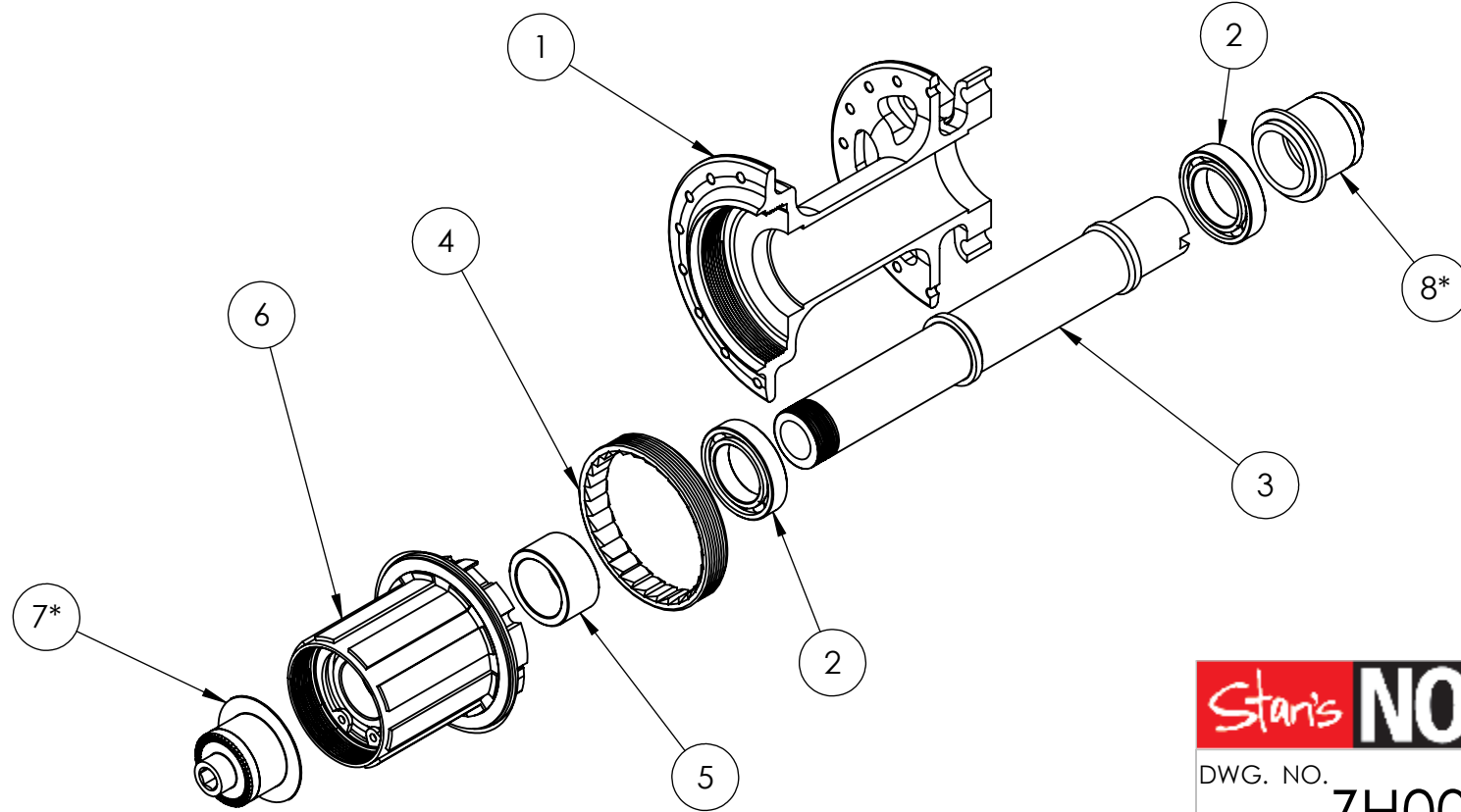
3

2

1

ITEM NO.	PART NUMBER	DESCRIPTION	section/QTY.		
				LEFT (DISC)	RIGHT
1	ZH0280	HUB SHELL, REAR, STANS, 3.30, 6 BOLT, 32H, BLK	1		
2	ZH0011	BEARING, 6802, 24x15x5, CHROME	2		
3	ZH0113	M10 REAR AXLE TYPE II	1		
4	ZH0028	RATCHET RING, FREEHUB, STAN'S, 3.30, 30 TOOTH	1		
5	ZH0045	SPACER, FREEHUB, 3.30, 10.5MM	1		
6	ZH0007	FREEHUB, STANS, 3.30, SHIMANO, RED	1		
7*	ZH0243	END CAP, REAR, STANS, 3.30/3.30Ti, QR, DRIVE	1		* PAIRED KIT # ZH0112
8*	ZH0244	END CAP, REAR, STANS, 3.30/3.30Ti, QR, DISC	1		

	LEFT (DISC)	RIGHT
FLANGE ϕ	58.0 MM	58.0 MM
CTR TO FLANGE	34.0 MM	21.0 MM



Staris NOTUBES[®]

DWG. NO.

ZH0002

DESCRIPTION:

HUB, REAR, STANS, 3.30, 6B, 32H, 10X135, QR, BLACK, SHIMANO

5

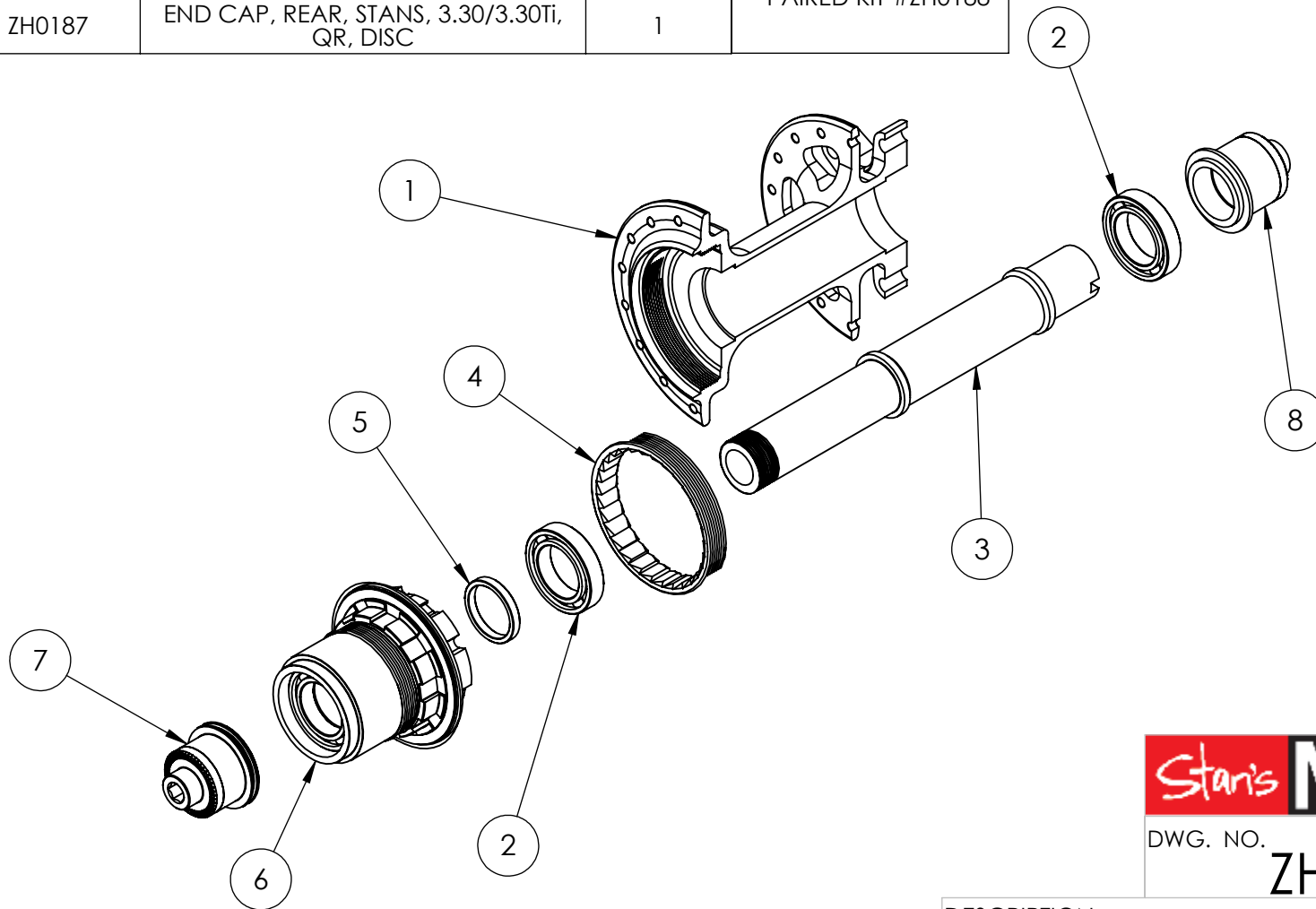
4

3

2

1

ITEM NO.	PART NUMBER	DESCRIPTION	section/QT Y.		
				LEFT (DISC)	RIGHT
1	ZH0280	HUB SHELL, REAR, STANS, 3.30, 6 BOLT, 32H, BLK	1	FLANGE Ø	58.0 MM
2	ZH0011	BEARING, 6802, 24x15x5 , CHROME	2	CTR TO FLANGE	34.0 MM
3	ZH0113	M10 REAR AXLE TYPE II	1		21.0 MM
4	ZH0028	RATCHET RING, FREEHUB, STAN'S, 3.30, 30 TOOTH	1		
5	ZH0169	SPACER, XD FREEHUB, 3.30	1		
6	ZH0163	FREE HUB, STANS, 3.30, XD, RED	1		
7	ZH0165	END CAP, REAR DRIVE SIDE XD, STANS, 3.30/3.30Ti/3.30HD, QR	1	* PAIRED KIT #ZH0188	
8	ZH0187	END CAP, REAR, STANS, 3.30/3.30Ti, QR, DISC	1		



Star's NOTUBES®

DWG. NO.

ZH0197

DESCRIPTION:

HUB, REAR, STANS, 3.30, 6B, 32H, 10X135, QR, BLACK, SRAM XD

5

4

3

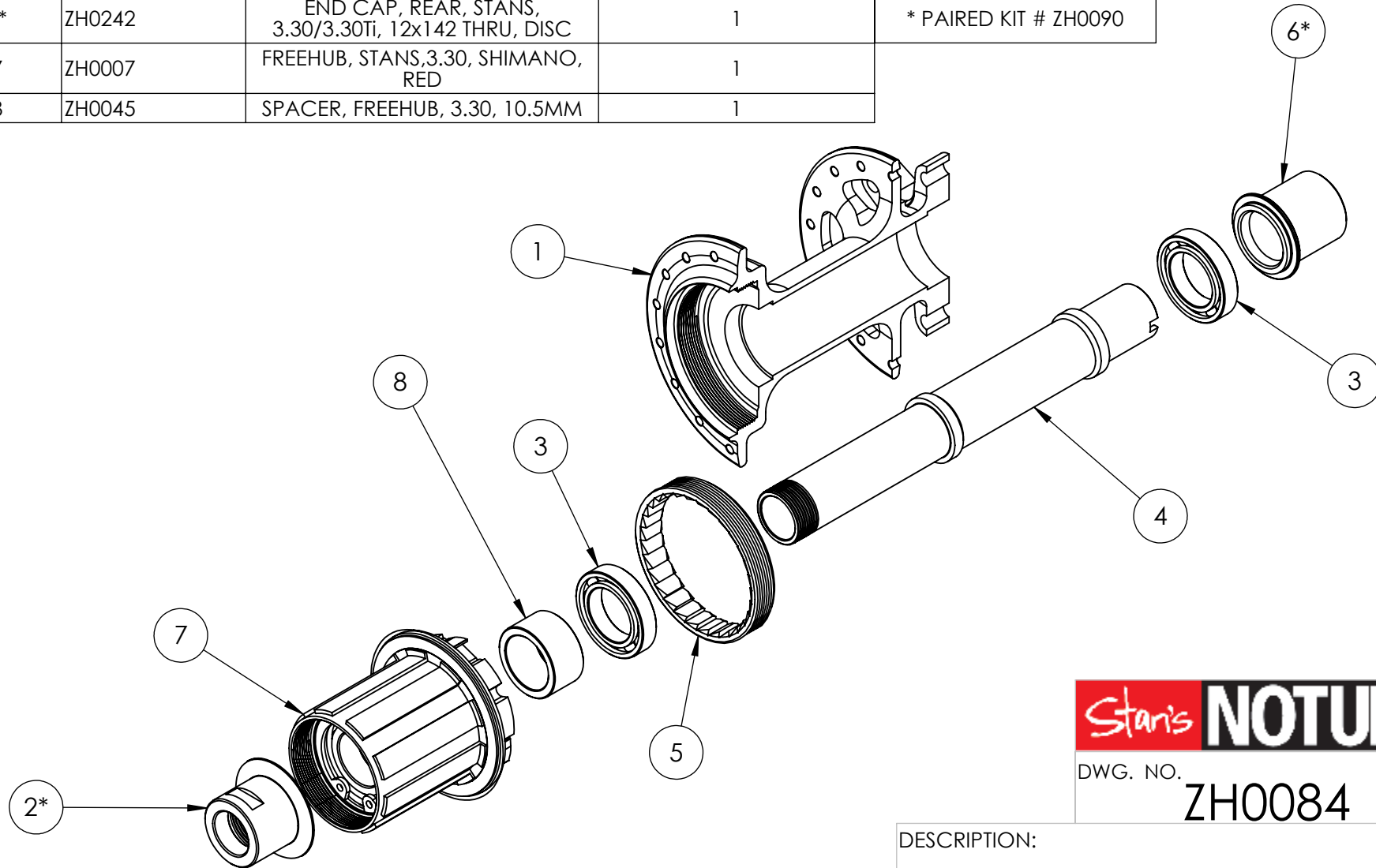
2

1

ITEM NO.	PART NUMBER	DESCRIPTION	SECTION/QTY.
1	ZH0280	HUB SHELL, REAR, STANS, 3.30, 6 BOLT, 32H, BLK	1
2*	ZH0241	END CAP, REAR, STANS, 3.30/3.30Ti, 12x142 THRU, DRIVE	1
3	ZH0011	BEARING, 6802, 24x15x5, CHROME	2
4	ZH0082	AXLE, REAR, STANS, 3.30/3.30Ti, 12MM	1
5	ZH0028	RATCHET RING, FREEHUB, STAN'S, 3.30, 30 TOOTH	1
6*	ZH0242	END CAP, REAR, STANS, 3.30/3.30Ti, 12x142 THRU, DISC	1
7	ZH0007	FREEHUB, STANS, 3.30, SHIMANO, RED	1
8	ZH0045	SPACER, FREEHUB, 3.30, 10.5MM	1

	LEFT (DISC)	RIGHT
FLANGE Ø	58.0 MM	58.0 MM
CTR TO FLANGE	34.0 MM	21.0 MM

* PAIRED KIT # ZH0090



Star's NOTUBES®

DWG. NO.

ZH0084

DESCRIPTION:

HUB, REAR, STANS, 3.30, 6B, 32H, 12x142, THRU, BLACK, SHIMANO

5

4

3

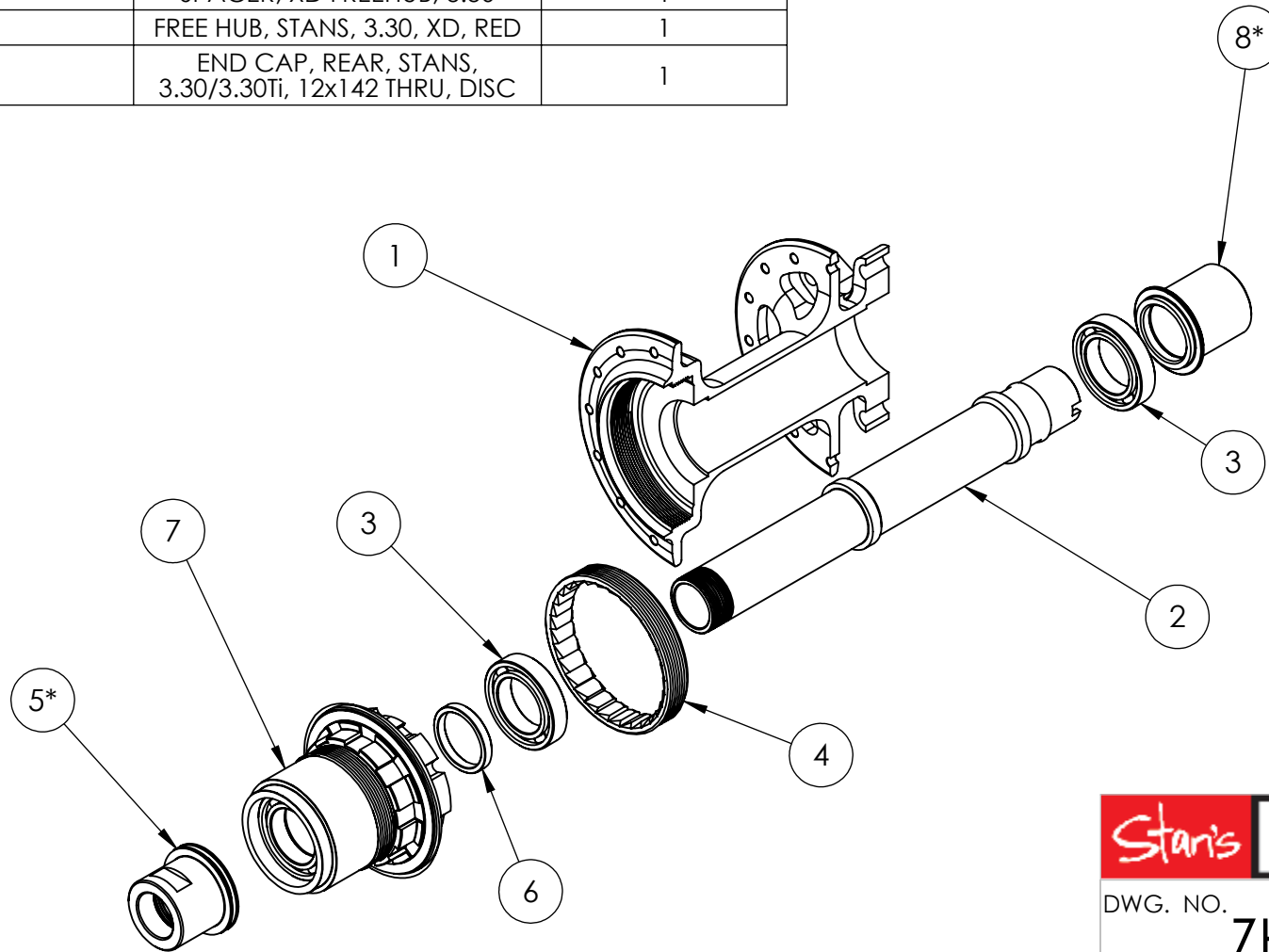
2

1

ITEM NO.	PART NUMBER	DESCRIPTION	SECTION/QTY.
1	ZH0279	HUB SHELL, REAR, STANS, 3.30, 6 BOLT, 28H, BLK	1
2	ZH0082	AXLE, REAR, STANS, 3.30/3.30TI, 12MM	1
3	ZH0011	BEARING, 6802, 24x15x5, CHROME	2
4	ZH0028	RATCHET RING, FREEHUB, STAN'S, 3.30, 30 TOOTH	1
5*	ZH0167	END CAP, REAR DRIVE SIDE XD, STANS, 3.30/3.30TI/3.30HD, 12x142	1
6	ZH0169	SPACER, XD FREEHUB, 3.30	1
7	ZH0163	FREE HUB, STANS, 3.30, XD, RED	1
8*	ZH0242	END CAP, REAR, STANS, 3.30/3.30Ti, 12x142 THRU, DISC	1

	LEFT (DISC)	RIGHT
FLANGE Ø	58.0 MM	58.0 MM
CTR TO FLANGE	34.0 MM	21.0 MM

* ZH0167/0242
 PAIRED KIT # ZH0191



Star's NOTUBES®

DWG. NO.

ZH0184

DESCRIPTION:

HUB, REAR, STANS, 3.30, 6B, 28H, 12x142, THRU, BLACK, SRAM XD

5

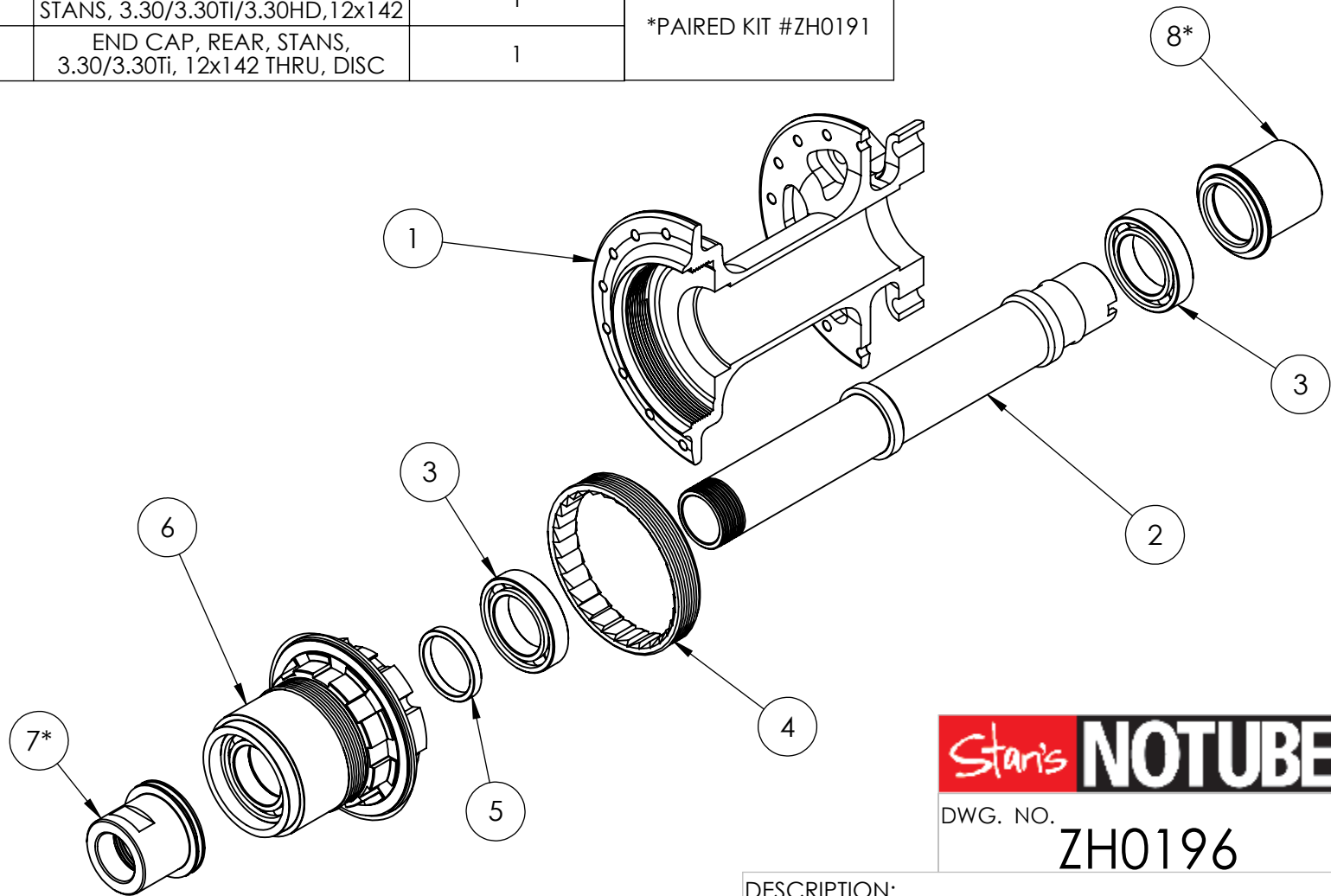
4

3

2

1

ITEM NO.	PART NUMBER	DESCRIPTION	SECTION/QTY.			LEFT (DISC)	RIGHT	
1	ZH0280	HUB SHELL, REAR, STANS, 3.30, 6 BOLT, 32H, BLK	1			FLANGE Ø	58.0 MM	58.0 MM
2	ZH0082	AXLE, REAR, STANS, 3.30/3.30TI, 12MM	1			CTR TO FLANGE	34.0 MM	21.0 MM
3	ZH0011	BEARING, 6802, 24x15x5, CHROME	2					
4	ZH0028	RATCHET RING, FREEHUB, STAN'S, 3.30, 30 TOOTH	1					
5	ZH0169	SPACER, XD FREEHUB, 3.30	1					
6	ZH0163	FREE HUB, STANS, 3.30, XD, RED	1					
7*	ZH0167	END CAP, REAR DRIVE SIDE XD, STANS, 3.30/3.30TI/3.30HD, 12x142	1		*PAIRED KIT #ZH0191			
8*	ZH0242	END CAP, REAR, STANS, 3.30/3.30TI, 12x142 THRU, DISC	1					



Star's NOTUBES®

DWG. NO.

ZH0196

DESCRIPTION:

HUB, REAR, STANS, 3.30, 6B, 32H, 12x142, THRU, BLACK, SRAM XD

5

4

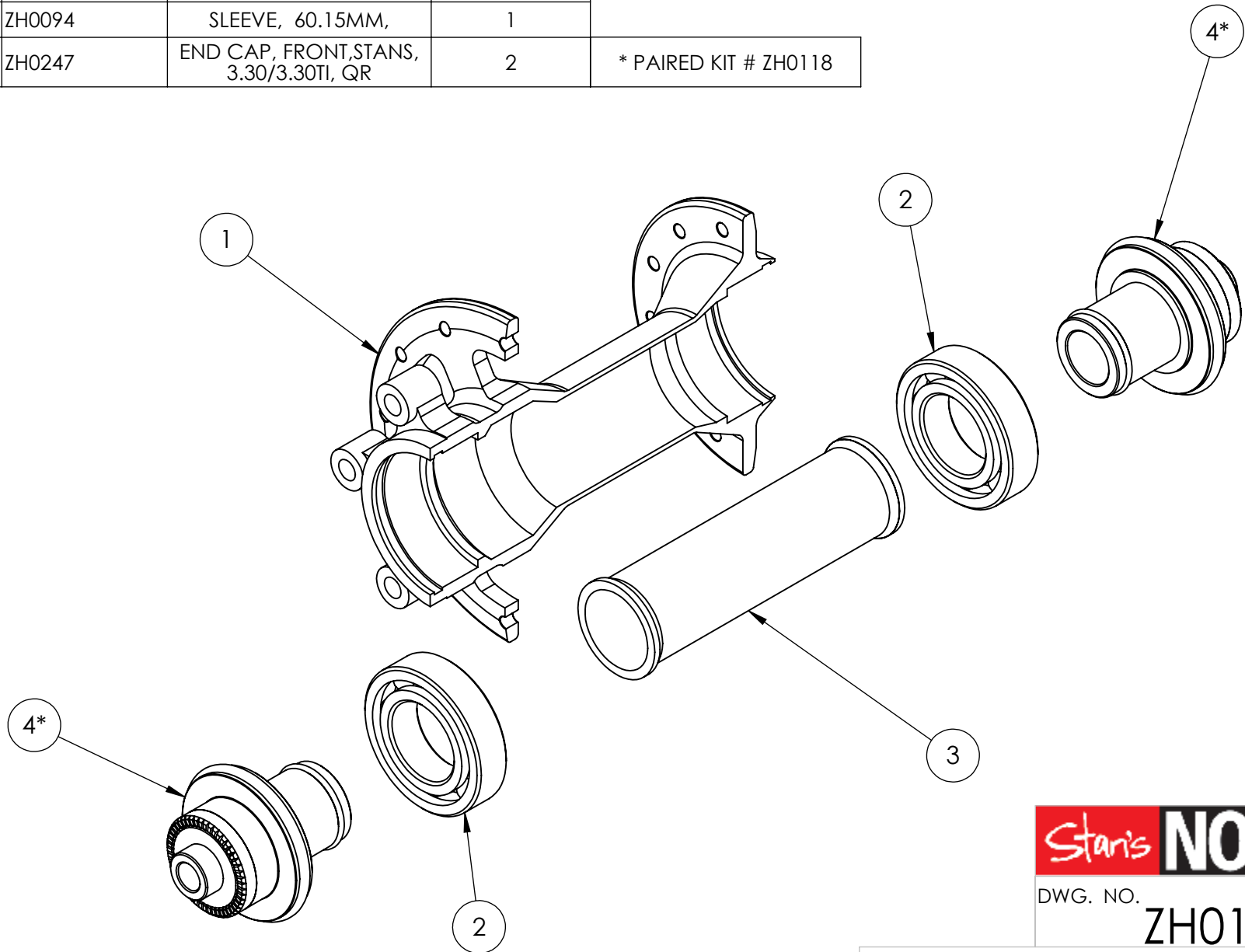
3

2

1

ITEM NO.	PART NUMBER	DESCRIPTION	SECTION/QTY.	
1	ZH0276	HUB SHELL, FRONT, STANS, 3.30Ti, 24 HOLE, BLK	1	
2	ZH0097	BEARING, 6902, STAINLESS STEEL, 28x15x7	2	
3	ZH0094	SLEEVE, 60.15MM,	1	
4*	ZH0247	END CAP, FRONT, STANS, 3.30/3.30TI, QR	2	* PAIRED KIT # ZH0118

	LEFT (DISC)	RIGHT
FLANGE Ø	58.0 MM	45.0 MM
CTR TO FLANGE	23.0 MM	35.0 MM



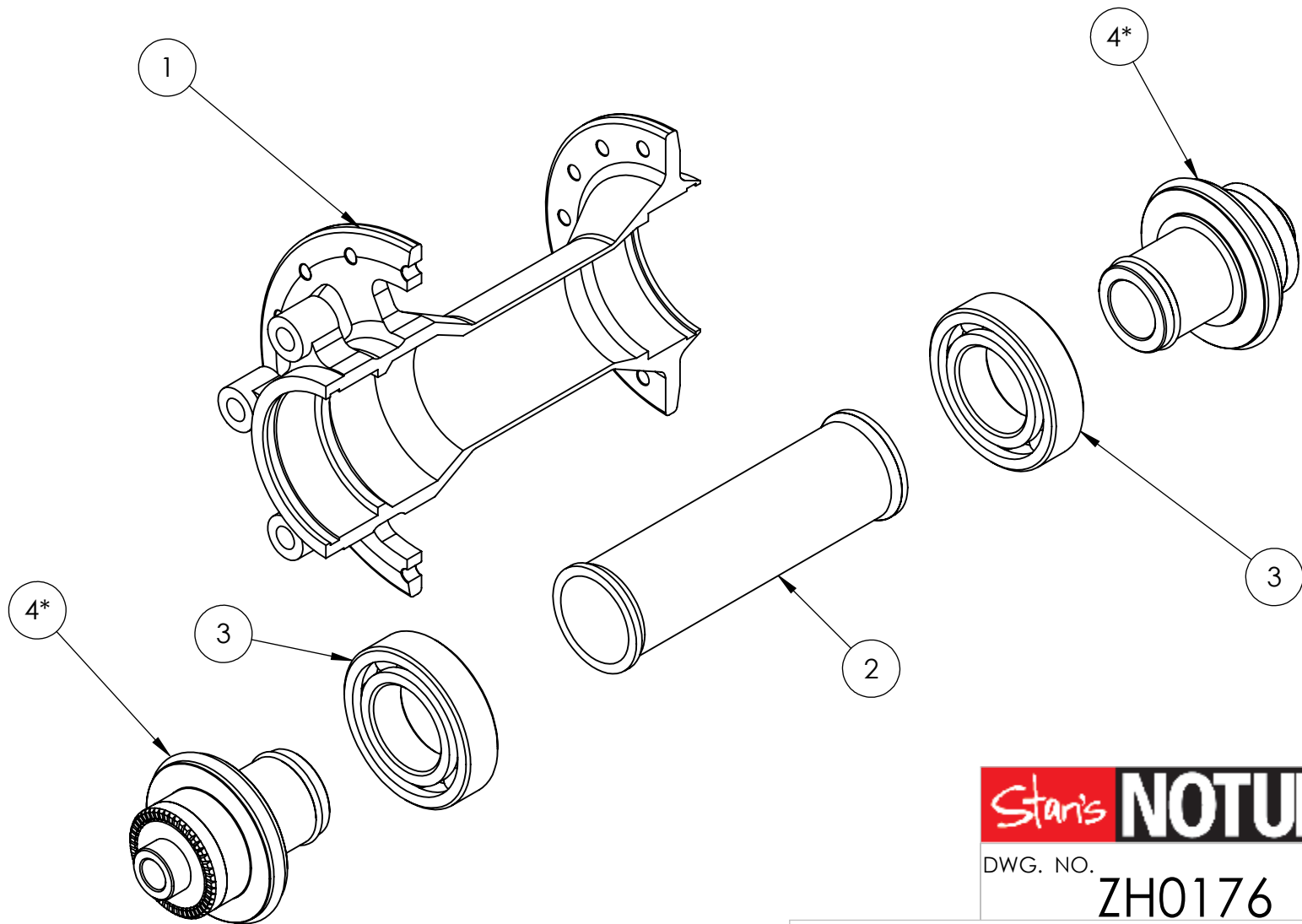
Staris NOTUBES®

DWG. NO. ZH0114

DESCRIPTION:
HUB, FRONT, STANS, 3.30TI, 6B, 24H, 9MM, QR, BLACK

ITEM NO.	PART NUMBER	DESCRIPTION	SECTION/QTY.	
1	ZH0277	HUB SHELL, FRONT, STANS, 3.30Ti, 28 HOLE	1	
2	ZH0094	SLEEVE, 60.15MM,	1	
3	ZH0097	BEARING, 6902, STAINLESS STEEL, 28x15x7	2	
4*	ZH0247	END CAP, FRONT, STANS, 3.30/3.30TI, QR	2	* PAIRED KIT # ZH0118

	LEFT(DISC)	RIGHT
FLANGE ϕ	58.0 MM	45.0 MM
CTR TO FLANGE	23.0 MM	35.0 MM



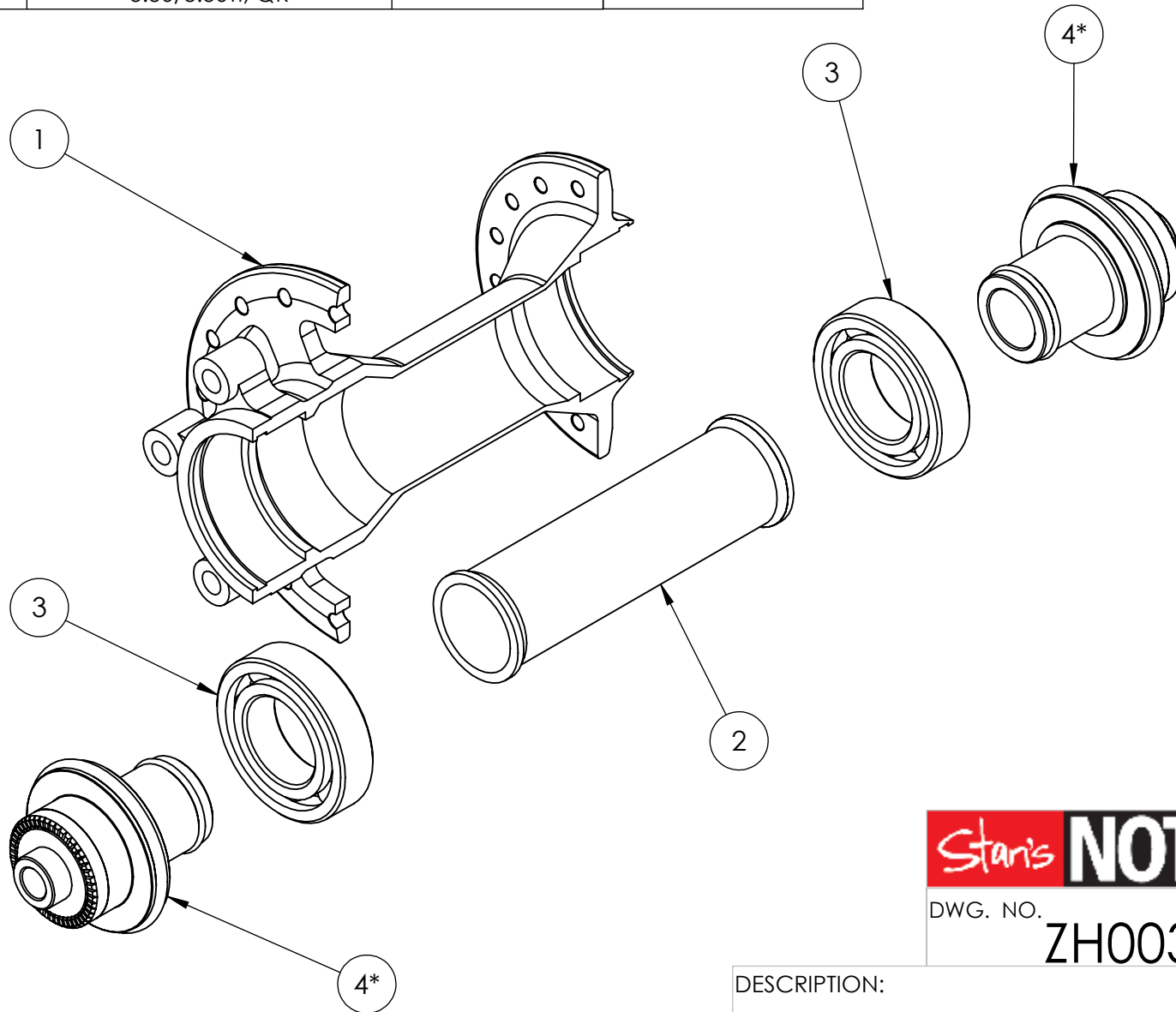
Staris NOTUBES®

DWG. NO. ZH0176

DESCRIPTION:
HUB, FRONT, STANS, 3.30TI, 6B, 28H, 9MM, QR, BLACK

ITEM NO.	PART NUMBER	DESCRIPTION	SECTION/QTY.	
1	ZH0278	HUB SHELL, FRONT, STANS, 3.30Ti, 32H, BLK	1	
2	ZH0094	SLEEVE, 60.15MM,	1	
3	ZH0097	BEARING, 6902, STAINLESS STEEL, 28x15x7	2	
4*	ZH0247	END CAP, FRONT, STANS, 3.30/3.30TI, QR	2	* PAIRED KIT# ZH0118

	LEFT (DISC)	RIGHT
FLANGE Ø	58.0 MM	45.0MM
CTR TO FLANGE	23.0 MM	35.0 MM



Star's NOTUBES®

DWG. NO.

ZH0032

DESCRIPTION:

HUB, FRONT, STANS, 3.30TI, 6B, 32H, 9MM, QR, BLACK

5

4

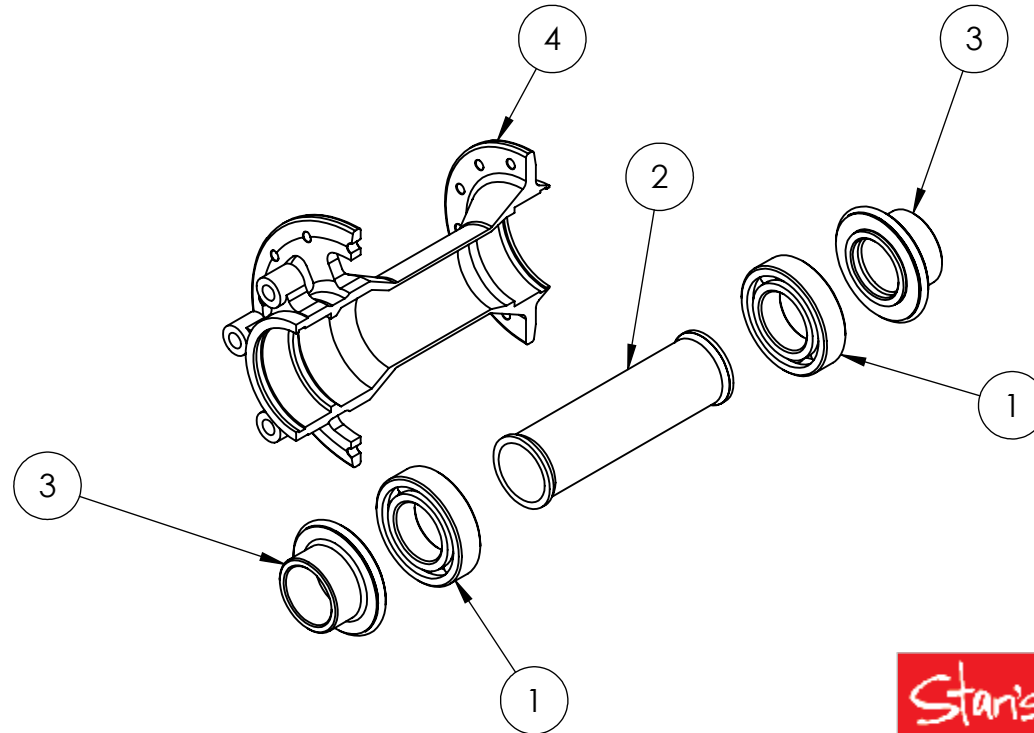
3

2

1

ITEM NO.	PART NUMBER	DESCRIPTION	section/QTY.
1	ZH0097	BEARING, 6902, STAINLESS STEEL, 28x15x7	2
2	ZH0094	SLEEVE, 60.15MM,	1
3	ZH0304	END CAP, FRONT, STANS, 3.30, 15MM THRU	2
4	ZH0276	HUB SHELL, FRONT, STANS, 3.30Ti, 24 HOLE, BLK	1

	LEFT (DISC)	RIGHT
FLANGE ϕ	58.0 MM	45.0 MM
CTR TO FLANGE	23.0 MM	35.0 MM



Staris NOTUBES[®]

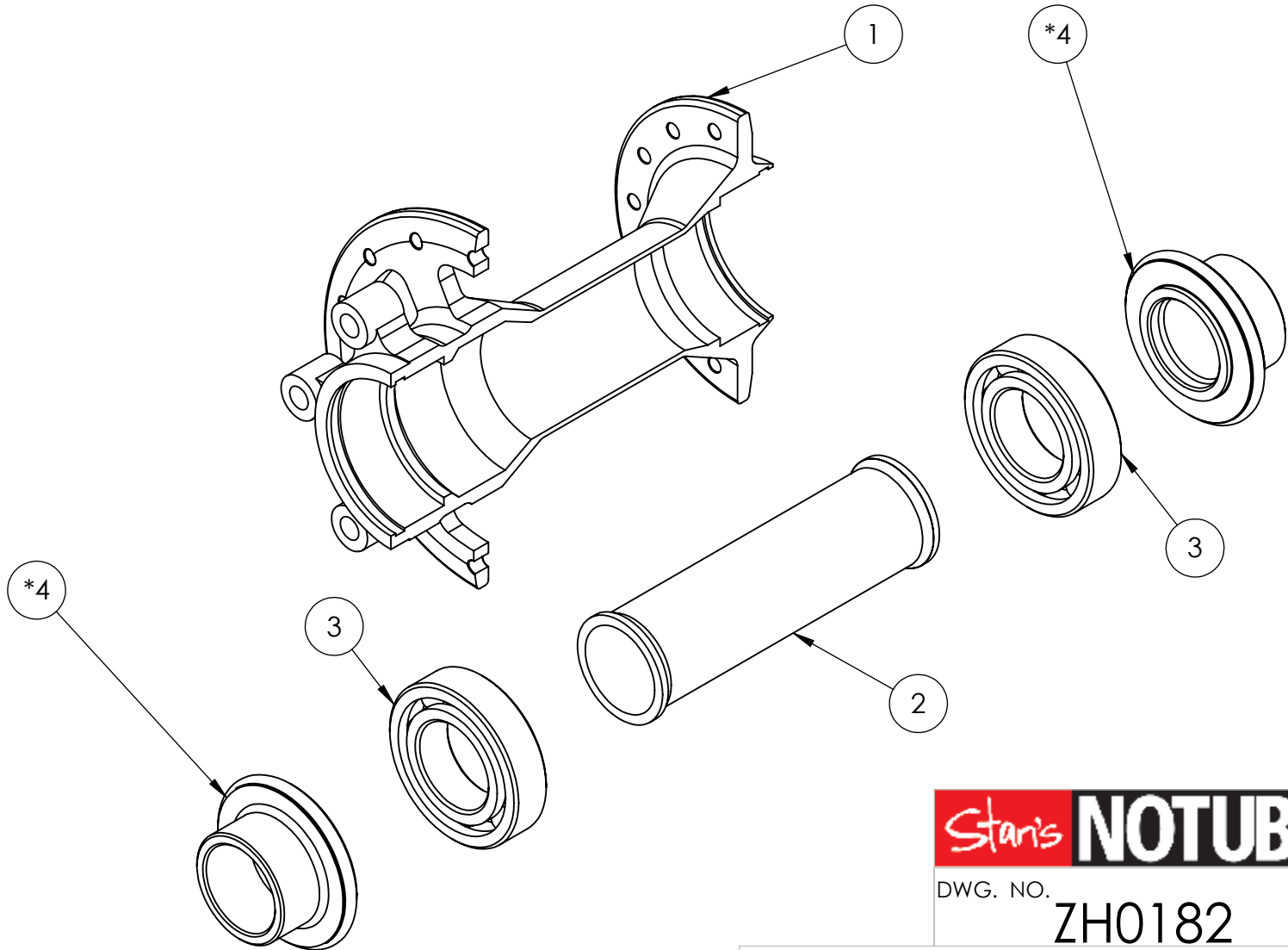
DWG. NO.

ZH0325

DESCRIPTION:

HUB, FRONT, STANS, 3.30Ti, 6B, 24H, 15MM, THRU, BLACK

ITEM NO.	PART NUMBER	DESCRIPTION	SECTION/QTY.		LEFT(DISC)		RIGHT
					FLANGE Ø	58.0 MM	45.0 MM
					CTR TO FLANGE	23.0 MM	35.0 MM
1	ZH0277	HUB SHELL, FRONT, STANS, 3.30Ti, 28 HOLE	1				
2	ZH0094	SLEEVE, 60.15MM,	1				
3	ZH0097	BEARING, 6902, STAINLESS STEEL, 28x15x7	2				
*4	ZH0304	END CAP, FRONT, STANS, 3.30, 15MM THRU	2	*PAIRED KIT # ZH0004			



Staris NOTUBES[®]

DWG. NO.

ZH0182

DESCRIPTION:

HUB, FRONT, STANS, 3.30TI, 6B, 28H, 15MM, THRU, BLACK

5

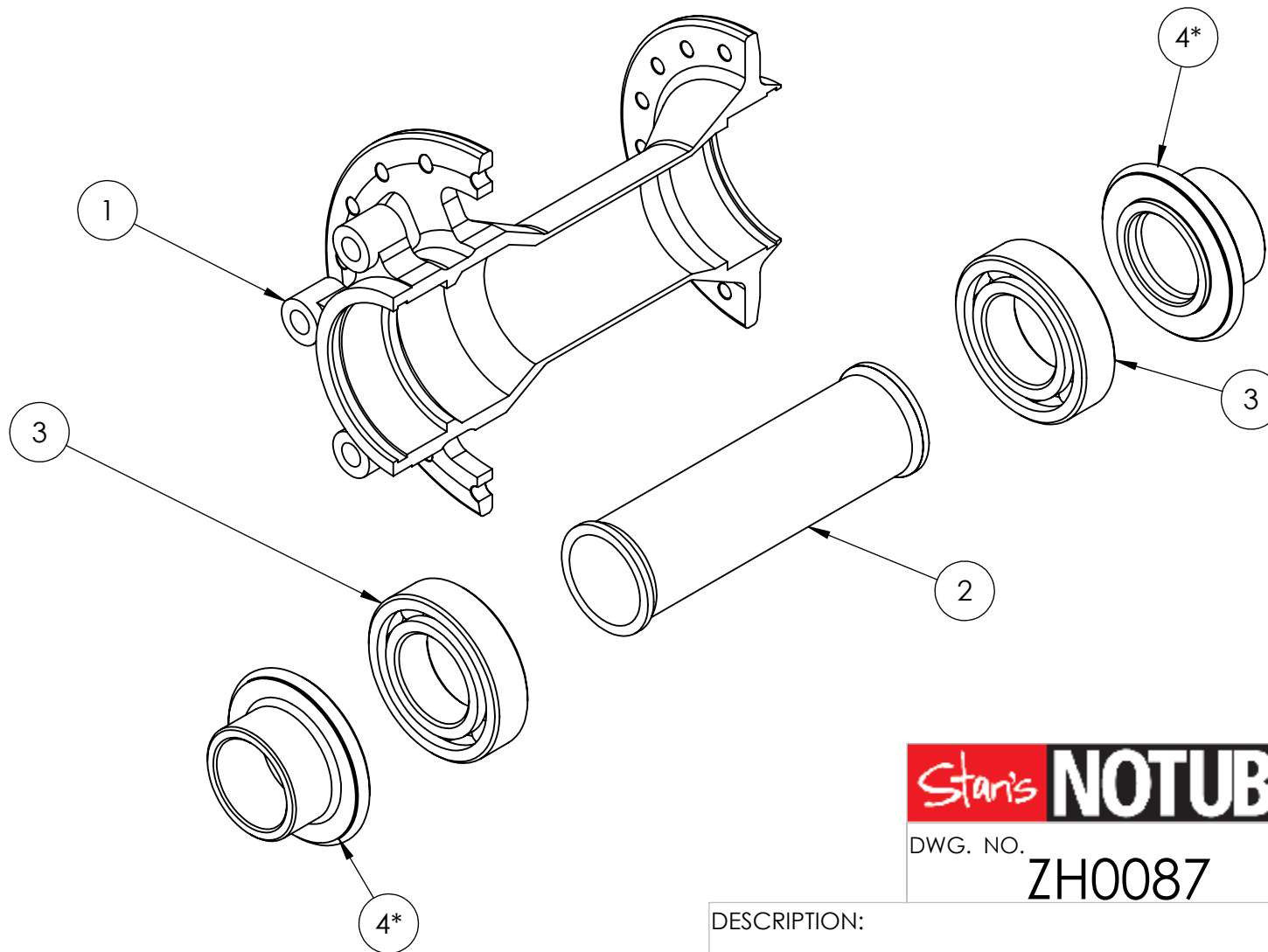
4

3

2

1

ITEM NO.	PART NUMBER	DESCRIPTION	SECTION/QTY.	N_84_F		
				LEFT	RIGHT	
1	ZH0278	HUB SHELL, FRONT, STANS, 3.30Ti, 32H, BLK	1	FLANGE ϕ	58.0 MM	45.0 MM
2	ZH0094	SLEEVE, 60.15MM,	1	CTR TO FLANGE	23.0 MM	35.0 MM
3	ZH0097	BEARING, 6902, STAINLESS STEEL, 28x15x7	2			
4*	ZH0304	END CAP, FRONT, STANS, 3.30, 15MM THRU	2	* PAIRED KIT #ZH0004		



Star's NOTUBES[®]

DWG. NO.

ZH0087

DESCRIPTION:

HUB, FRONT, STANS, 3.30TI, 6B, 32H, 15MM, THRU, BLACK

5

4

3

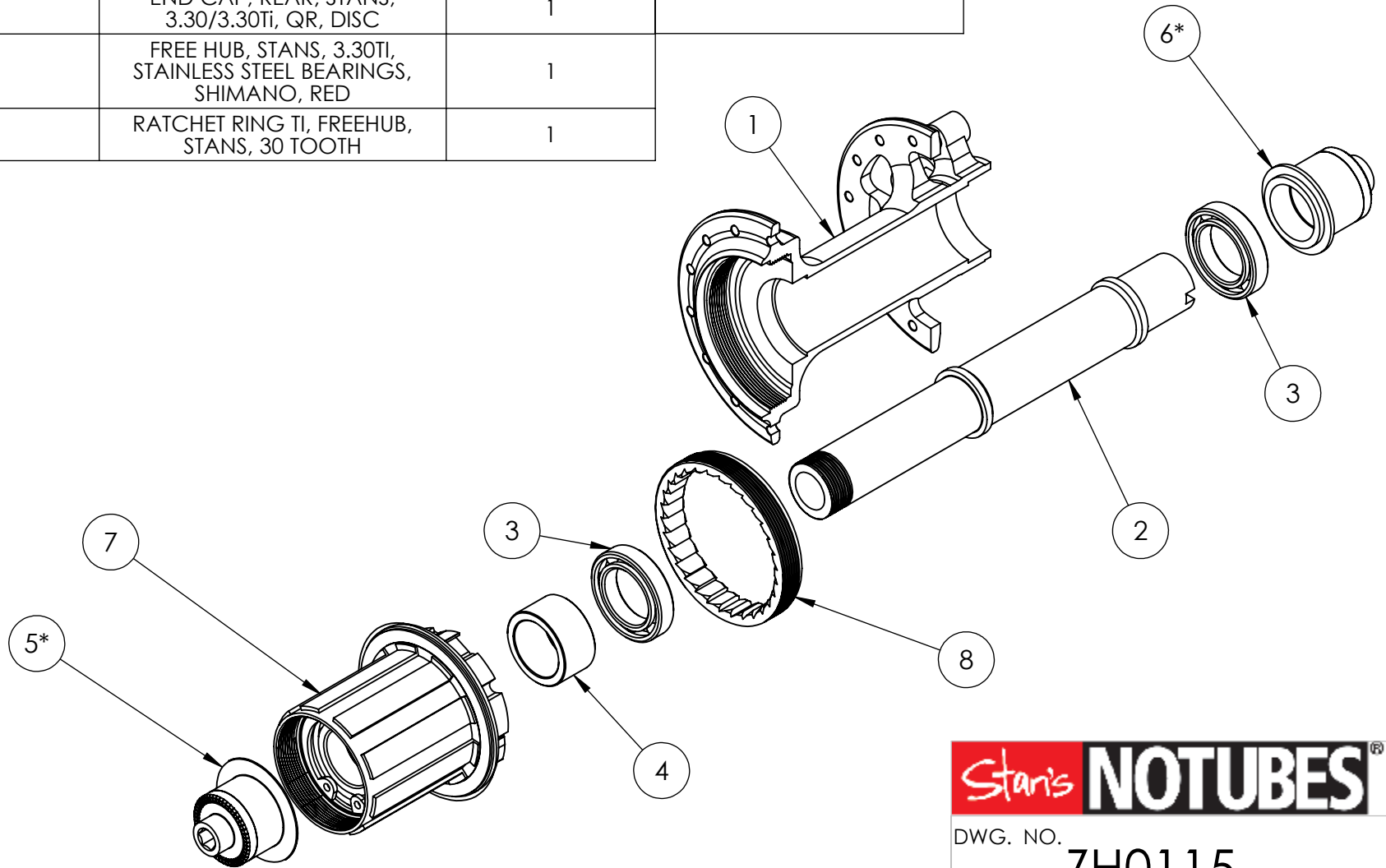
2

1

ITEM NO.	PART NUMBER	DESCRIPTION	SECTION/QTY.
1	ZH0281	HUB SHELL, REAR, STANS, 3.30Ti, 6 BOLT, 28H, BLK	1
2	ZH0113	M10 REAR AXLE TYPE II	1
3	ZH0096	BEARING, 6802, STAINLESS, 15x24x5, 3.30	2
4	ZH0045	SPACER, FREEHUB, 3.30, 10.5MM	1
5*	ZH0243	END CAP, REAR, STANS, 3.30/3.30Ti, QR, DRIVE	1
6*	ZH0187	END CAP, REAR, STANS, 3.30/3.30Ti, QR, DISC	1
7	ZH0101	FREE HUB, STANS, 3.30Ti, STAINLESS STEEL BEARINGS, SHIMANO, RED	1
8	ZH0100	RATCHET RING TI, FREEHUB, STANS, 30 TOOTH	1

	LEFT (DISC)	RIGHT
FLANGE ϕ	56.0 MM	56.0 MM
CTR TO FLANGE	34.0 MM	21.0 MM

* PAIRED KIT # ZH0112



Staris NOTUBES[®]

DWG. NO.

ZH0115

DESCRIPTION:

HUB, REAR, STANS, 3.30Ti, 6B, 28H, 10X135, QR, BLACK, SHIMANO

5

4

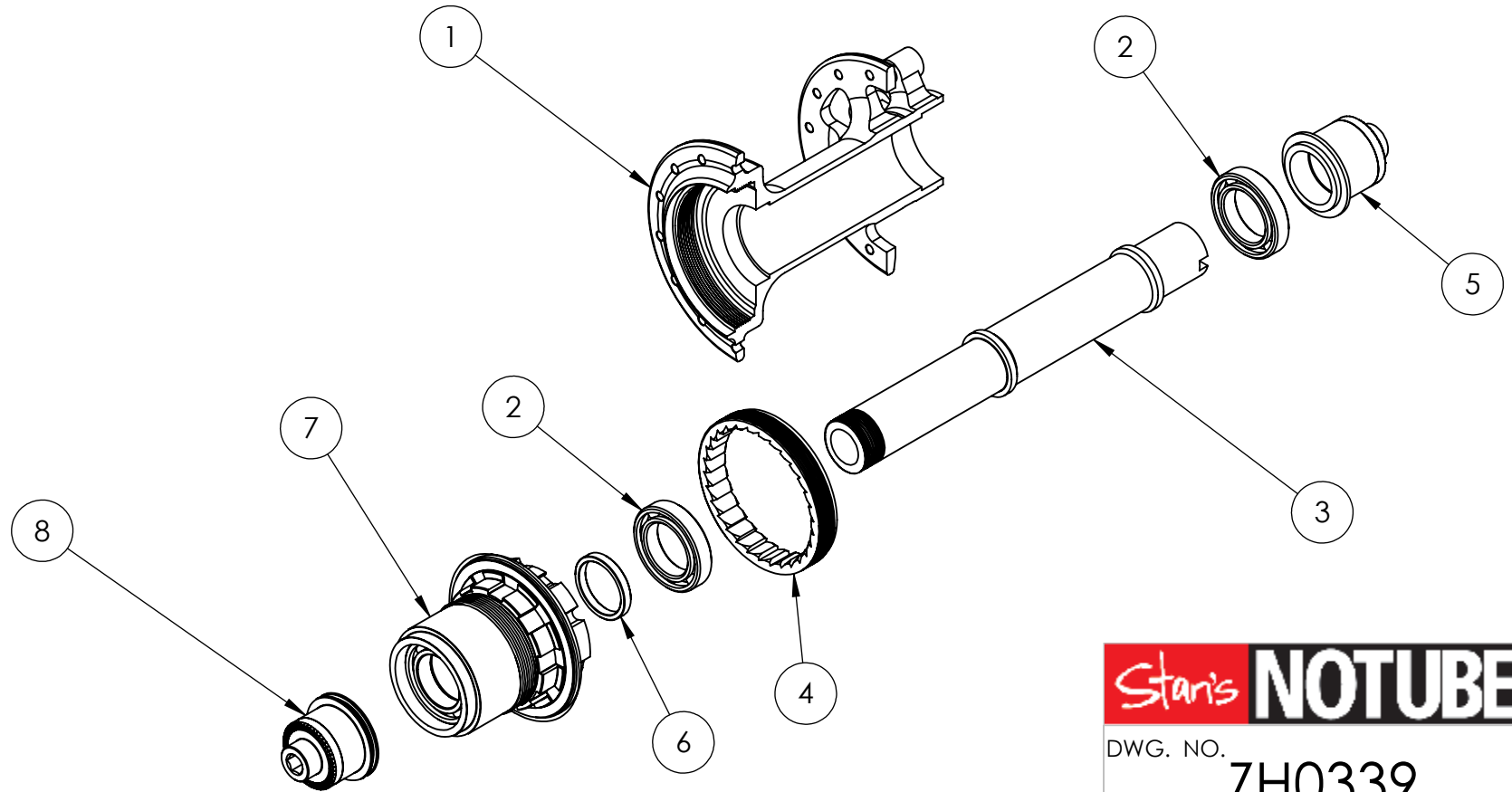
3

2

1

ITEM NO.	PART NUMBER	DESCRIPTION	SECTION/QTY.
1	ZH0281	HUB SHELL, REAR, STANS, 3.30Ti, 6 BOLT, 28H, BLK	1
2	ZH0096	BEARING, 6802, STAINLESS, 15x24x5, 3.30	2
3	ZH0113	M10 REAR AXLE TYPE II	1
4	ZH0100	RATCHET RING TI, FREEHUB, STANS, 30 TOOTH	1
5	ZH0187	END CAP, REAR, STANS, 3.30/3.30Ti, QR, DISC	1
6	ZH0169	SPACER, XD FREEHUB, 3.30	1
7	ZH0163	FREE HUB, STANS, 3.30, XD, RED	1
8	ZH0165	END CAP, REAR DRIVE SIDE XD, STANS, 3.30/3.30Ti/3.30HD, QR	1

	LEFT (DISC)	RIGHT
FLANGE Ø	56.0 MM	56.0 MM
CTR TO FLANGE	34.0 MM	21.0 MM



Staris NOTUBES®

DWG. NO.

ZH0339

DESCRIPTION:

HUB, REAR, STANS, 3.30Ti, 6B, 28H, 10X135, QR, STEEL INSERTS, BLACK, SRAM XD

5

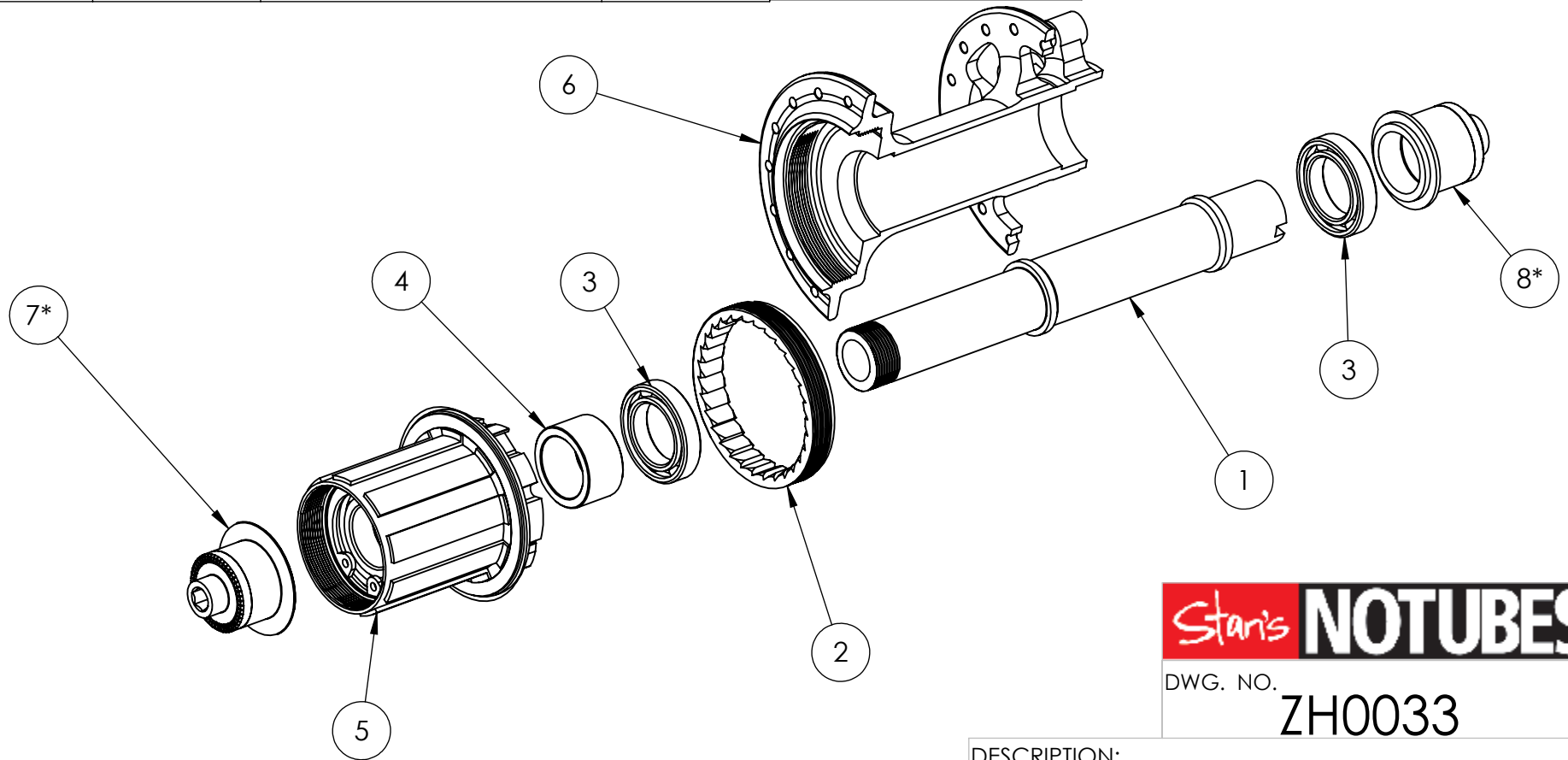
4

3

2

1

ITEM NO.	PART NUMBER	DESCRIPTION	SECTION/QTY.			LEFT (DISC)	RIGHT
1	ZH0113	M10 REAR AXLE TYPE II	1				
2	ZH0100	RATCHET RING TI, FREEHUB, STANS, 30 TOOTH	1		FLANGE Ø	56.0 MM	56.0 MM
3	ZH0096	BEARING, 6802, STAINLESS, 15x24x5, 3.30	2		CTR TO FLANGE	34.0 MM	21.0 MM
4	ZH0045	SPACER, FREEHUB, 3.30, 10.5MM	1				
5	ZH0101	FREE HUB, STANS, 3.30TI, STAINLESS STEEL BEARINGS, SHIMANO, RED	1				
6	ZH0282	HUB SHELL, REAR, STANS, 3.30Ti, 6 BOLT, 32H, BLK	1				
7*	ZH0243	END CAP, REAR, STANS, 3.30/3.30Ti, QR, DRIVE	1	* PAIRED KIT # ZH0112			
8*	ZH0187	END CAP, REAR, STANS, 3.30/3.30Ti, QR, DISC	1				



Staris NOTUBES®

DWG. NO. **ZH0033**

DESCRIPTION:
HUB, REAR, STANS, 3.30TI, 6B, 32H, 10X135, QR, BLACK, SHIMANO

5

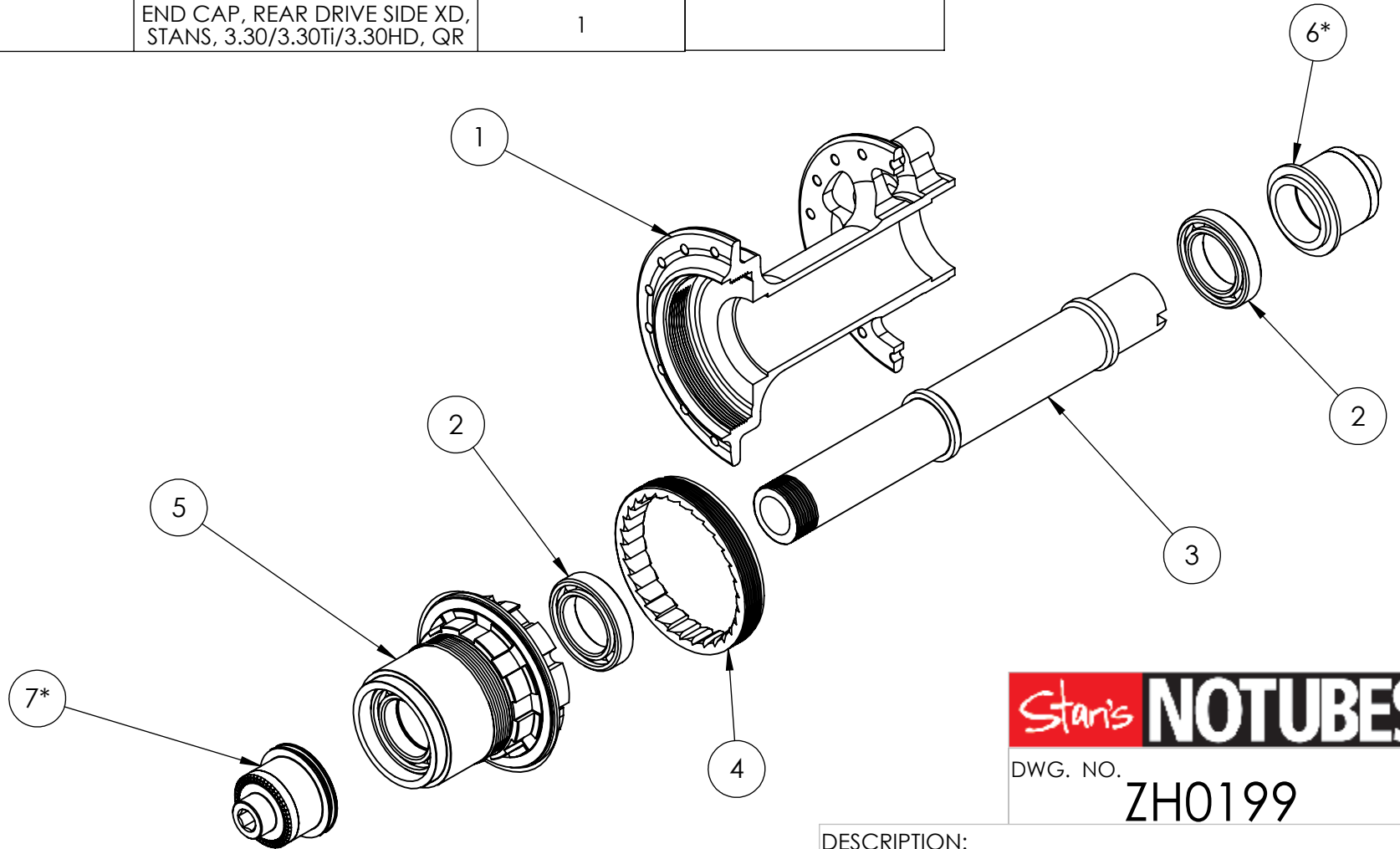
4

3

2

1

ITEM NO.	PART NUMBER	DESCRIPTION	SECTION/QTY.			LEFT (DISC)	RIGHT
1	ZH0282	HUB SHELL, REAR, STANS, 3.30Ti, 6 BOLT, 32H, BLK	1		FLANGE \varnothing	56.0 MM	56.0 MM
2	ZH0096	BEARING, 6802, STAINLESS, 15x24x5, 3.30	2		CTR TO FLANGE	34.0 MM	21.0 MM
3	ZH0113	M10 REAR AXLE TYPE II	1				
4	ZH0100	RATCHET RING TI, FREEHUB, STANS, 30 TOOTH	1				
5	ZH0164	FREE HUB, STANS, 3.30Ti, XD, RED	1				
6*	ZH0187	END CAP, REAR, STANS, 3.30/3.30Ti, QR, DISC	1	* PAIRED KIT # ZH0188			
7*	ZH0165	END CAP, REAR DRIVE SIDE XD, STANS, 3.30/3.30Ti/3.30HD, QR	1				



Staris NOTUBES®

DWG. NO.

ZH0199

DESCRIPTION:

HUB, REAR, STANS, 3.30Ti, 6B, 32H, 10X135, QR, BLACK, SRAM XD

5

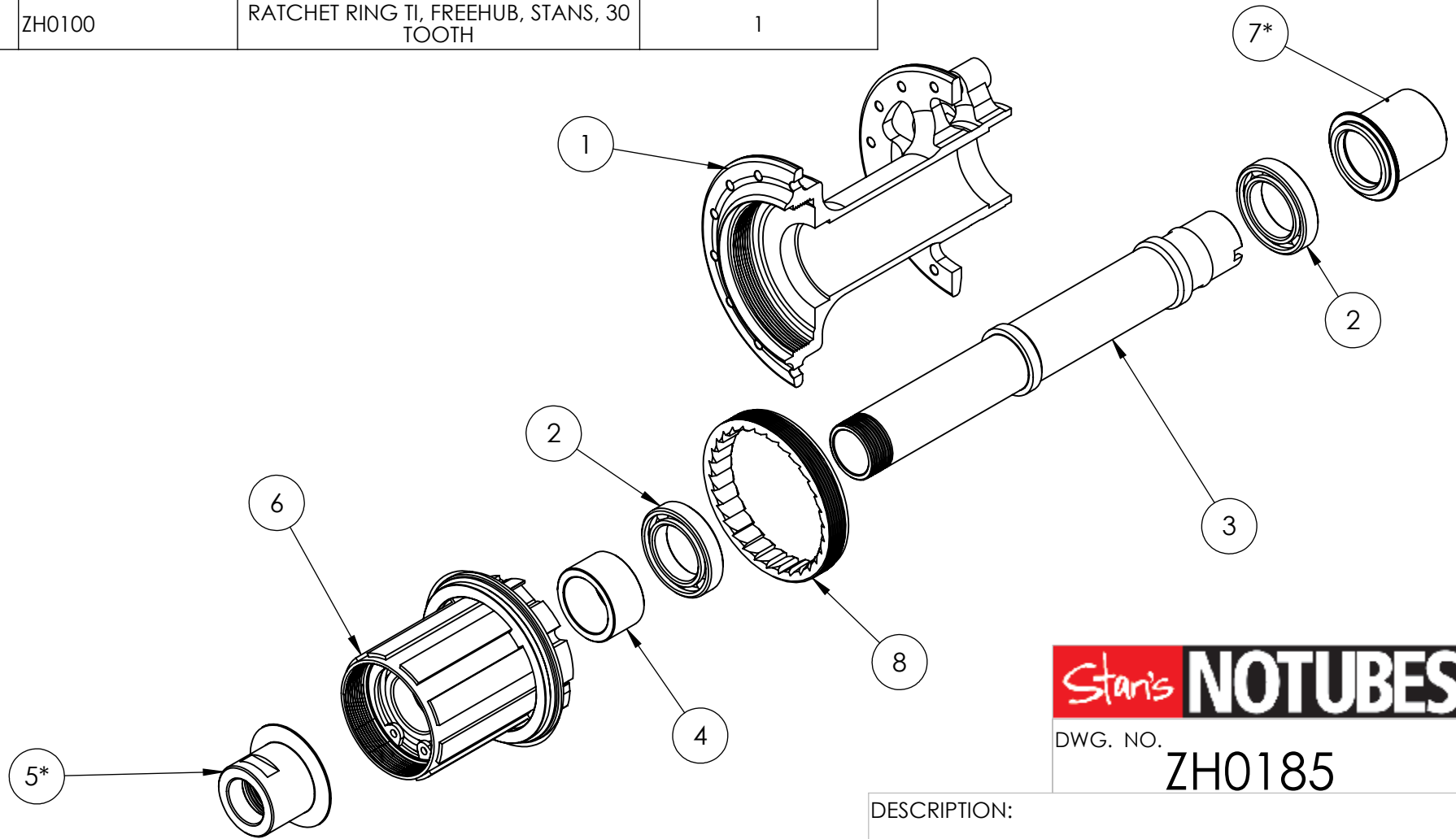
4

3

2

1

ITEM NO.	PART NUMBER	DESCRIPTION	SECTION/QTY.			
				FLANGE Ø	LEFT (DISC)	RIGHT
1	ZH0281	HUB SHELL, REAR, STANS, 3.30Ti, 6 BOLT, 28H, BLK	1	58.0 MM	58.0 MM	
2	ZH0096	BEARING, 6802, STAINLESS, 15x24x5, 3.30	2	34.0 MM	21.0 MM	
3	ZH0082	AXLE, REAR, STANS, 3.30/3.30Ti, 12MM	1			
4	ZH0045	SPACER, FREEHUB, 3.30, 10.5MM	1			
5*	ZH0241	END CAP, REAR, STANS, 3.30/3.30Ti, 12x142 THRU, DRIVE	1			* PAIRED KIT #ZH0090
6	ZH0101	FREE HUB, STANS, 3.30Ti, STAINLESS STEEL BEARINGS, SHIMANO, RED	1			
7*	ZH0242	END CAP, REAR, STANS, 3.30/3.30Ti, 12x142 THRU, DISC	1			
8	ZH0100	RATCHET RING TI, FREEHUB, STANS, 30 TOOTH	1			



Staris NOTUBES®

DWG. NO.

ZH0185

DESCRIPTION:

HUB, REAR, STANS, 3.30Ti, 6B, 28H, 12x142, THRU, BLACK, SHIMANO

5

4

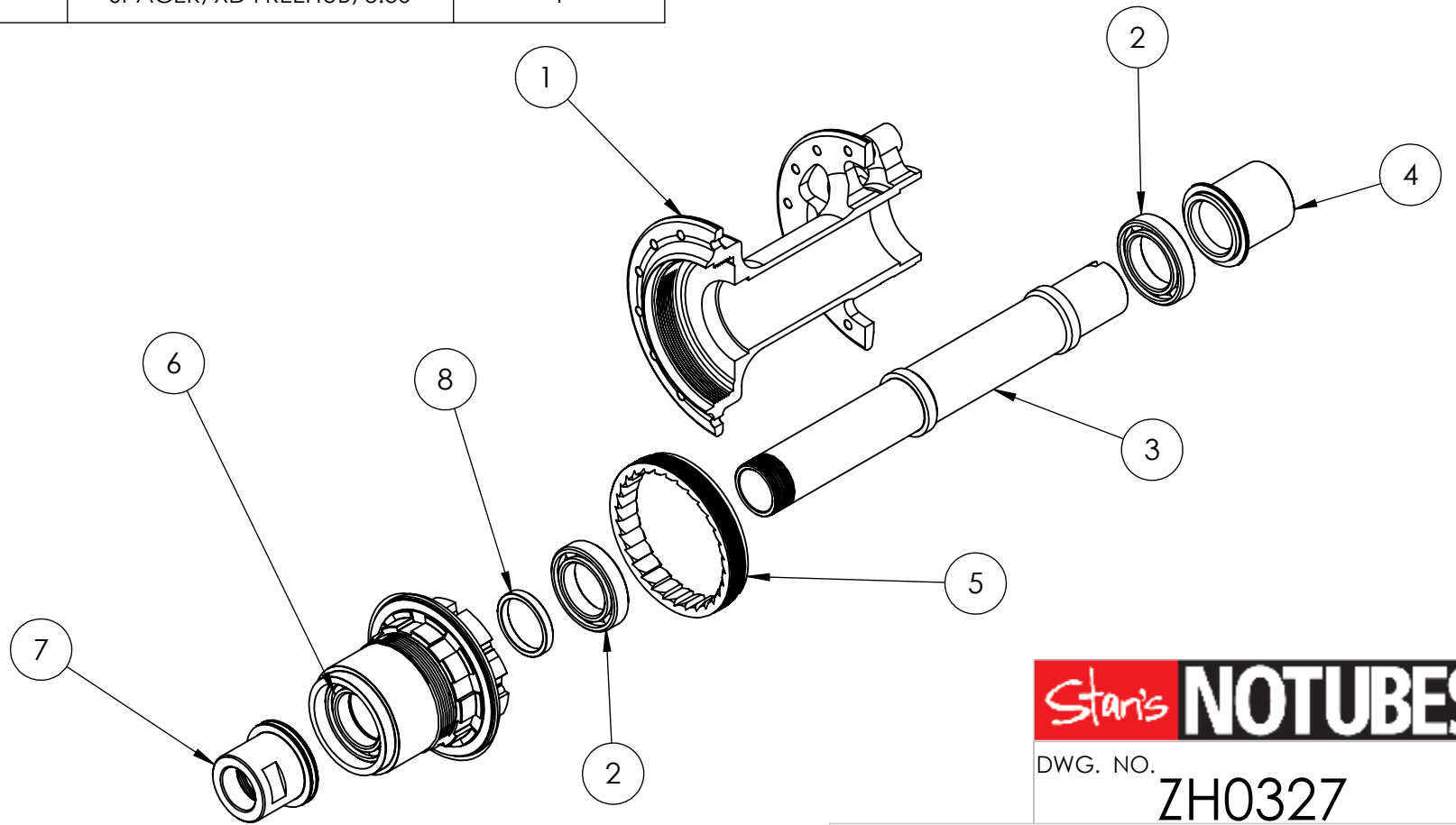
3

2

1

ITEM NO.	PART NUMBER	DESCRIPTION	section/QTY.
1	ZH0281	HUB SHELL, REAR, STANS, 3.30Ti, 6 BOLT, 28H, BLK	1
2	ZH0096	BEARING, 6802, STAINLESS, 15x24x5, 3.30	2
3	ZH0082	AXLE, REAR, STANS, 3.30/3.30Ti, 12MM	1
4	ZH0242	END CAP, REAR, STANS, 3.30/3.30Ti, 12x142 THRU, DISC	1
5	ZH0100	RATCHET RING TI, FREEHUB, STANS, 30 TOOTH	1
6	ZH0164	FREE HUB, STANS, 3.30Ti, XD, RED	1
7	ZH0167	END CAP, REAR DRIVE SIDE XD, STANS, 3.30/3.30Ti/3.30HD, 12x142	1
8	ZH0169	SPACER, XD FREEHUB, 3.30	1

	LEFT	RIGHT (DISC)
FLANGE ϕ	58.0 MM	58.0 MM
CTR TO FLANGE	34.0 MM	21.0 MM



Staris NOTUBES[®]

DWG. NO.

ZH0327

DESCRIPTION:

HUB, REAR, STANS, 3.30Ti, 6B, 28H, 12x142, THRU, BLACK, SRAM XD

5

4

3

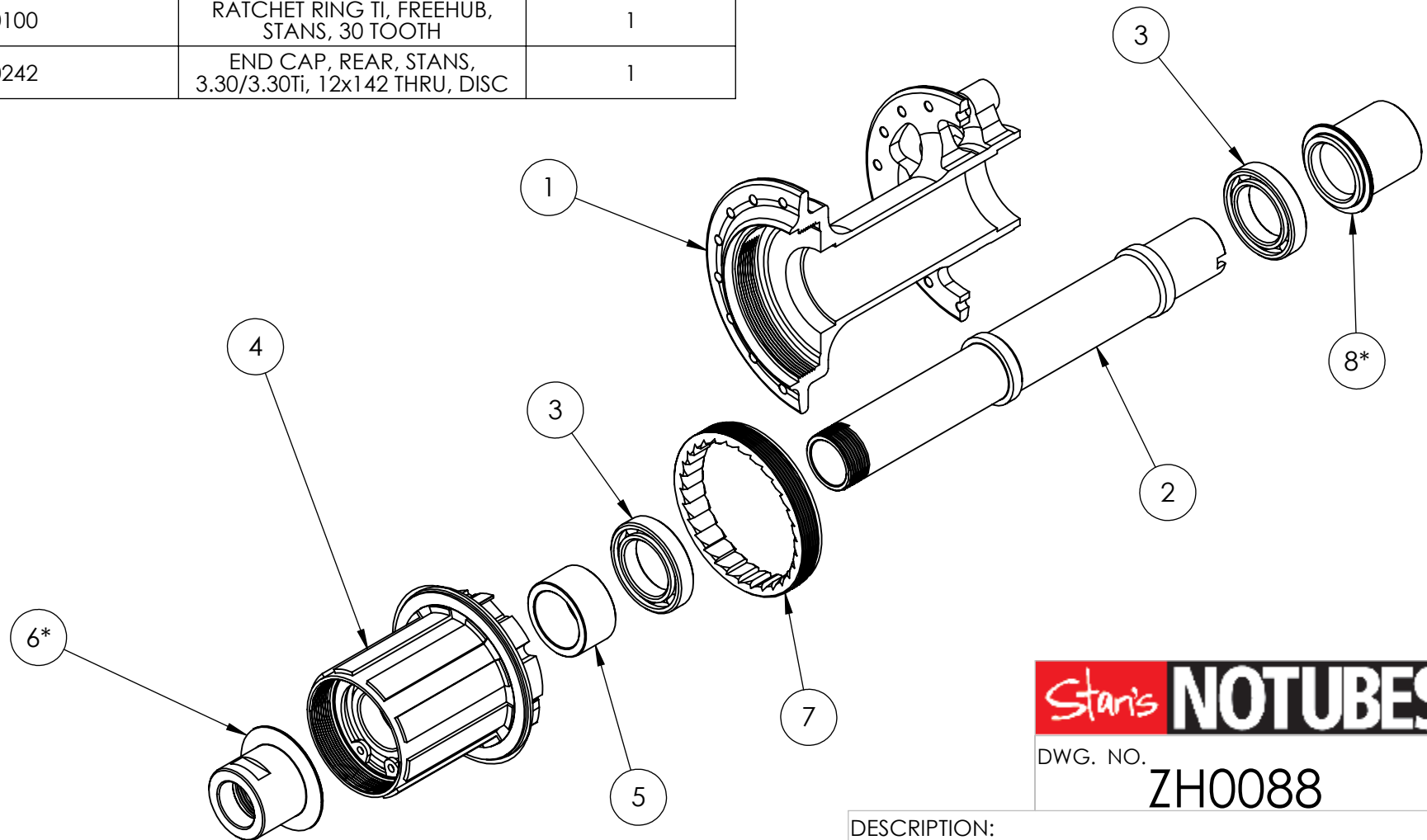
2

1

ITEM NO.	PART NUMBER	DESCRIPTION	SECTION/QTY.
1	ZH0282	HUB SHELL, REAR, STANS, 3.30Ti, 6 BOLT, 32H, BLK	1
2	ZH0082	AXLE, REAR, STANS, 3.30/3.30Ti, 12MM	1
3	ZH0096	BEARING, 6802, STAINLESS, 15x24x5, 3.30	2
4	ZH0101	FREE HUB, STANS, 3.30Ti, STAINLESS STEEL BEARINGS, SHIMANO, RED	1
5	ZH0045	SPACER, FREEHUB, 3.30, 10.5MM	1
6*	ZH0241	END CAP, REAR, STANS, 3.30/3.30Ti, 12x142 THRU, DRIVE	1
7	ZH0100	RATCHET RING Ti, FREEHUB, STANS, 30 TOOTH	1
8*	ZH0242	END CAP, REAR, STANS, 3.30/3.30Ti, 12x142 THRU, DISC	1

	LEFT (DISC)	RIGHT
FLANGE ϕ	56.0 MM	56.0 MM
CTR TO FLANGE	34.0 MM	21.0 MM

* PAIRED KIT # ZH0090



Staris NOTUBES[®]

DWG. NO.

ZH0088

DESCRIPTION:

HUB, REAR, STANS, 3.30Ti, 6B, 32H, 12x142, THRU, BLACK, SHIMANO

5

4

3

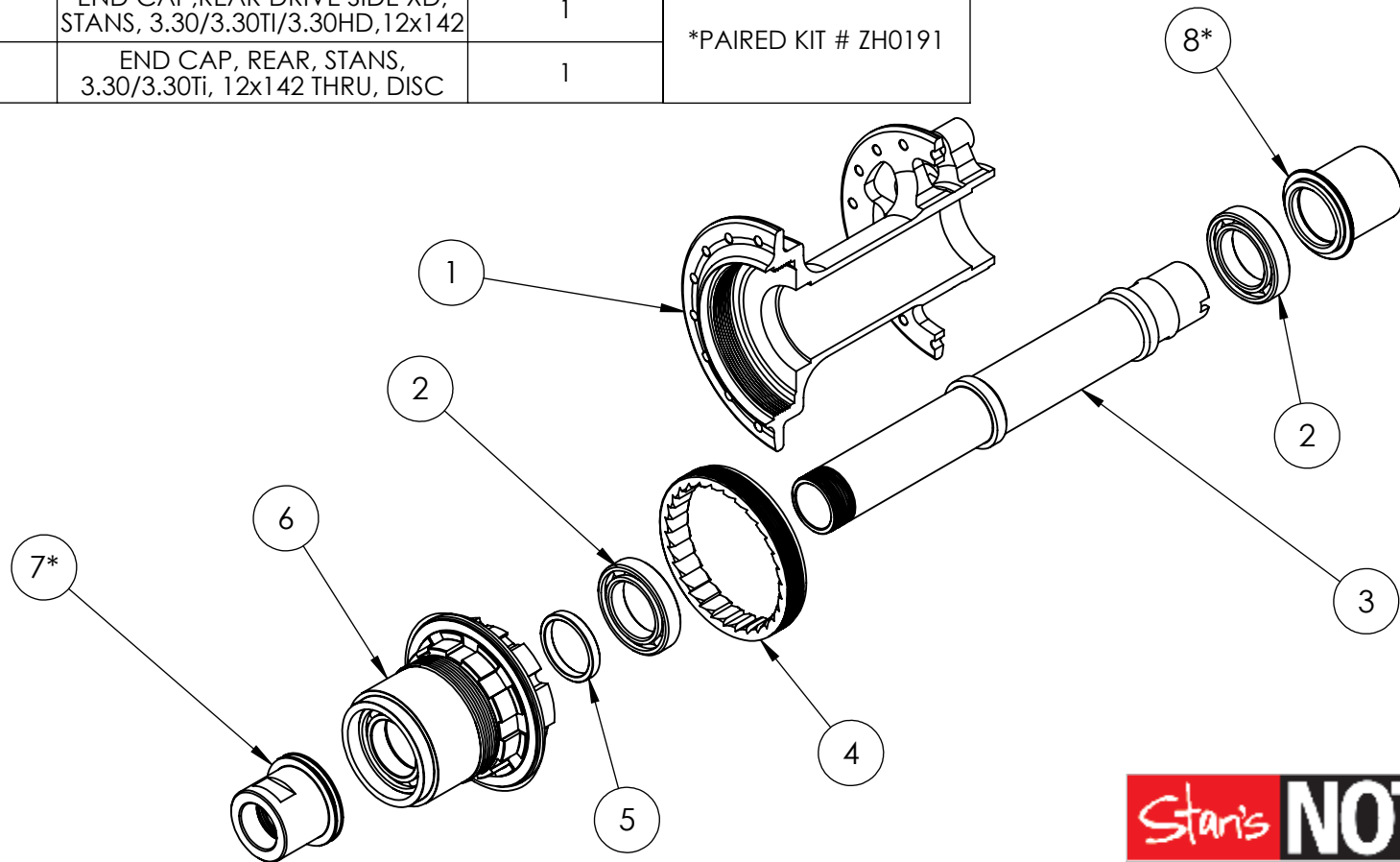
2

1

ITEM NO.	PART NUMBER	DESCRIPTION	SECTION/QTY.
1	ZH0282	HUB SHELL, REAR, STANS, 3.30Ti, 6 BOLT, 32H, BLK	1
2	ZH0096	BEARING, 6802, STAINLESS, 15x24x5, 3.30	2
3	ZH0082	AXLE, REAR, STANS, 3.30/3.30TI, 12MM	1
4	ZH0100	RATCHET RING TI, FREEHUB, STANS, 30 TOOTH	1
5	ZH0169	SPACER, XD FREEHUB, 3.30	1
6	ZH0163	FREE HUB, STANS, 3.30, XD, RED	1
7*	ZH0167	END CAP, REAR DRIVE SIDE XD, STANS, 3.30/3.30TI/3.30HD, 12x142	1
8*	ZH0242	END CAP, REAR, STANS, 3.30/3.30Ti, 12x142 THRU, DISC	1

*PAIRED KIT # ZH0191

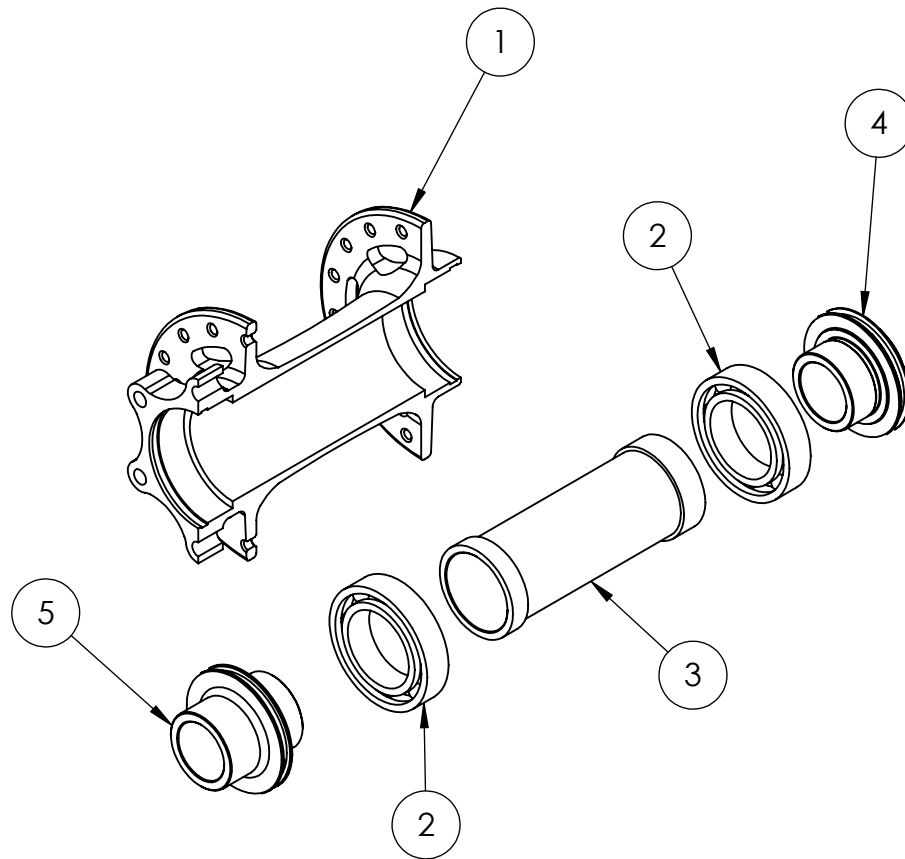
	LEFT (DISC)	RIGHT
FLANGE Ø	56.0 MM	56.0 MM
CTR TO FLANGE	34.0 MM	21.0 MM



DWG. NO. ZH0198

DESCRIPTION:
HUB, REAR, STANS, 3.30TI, 6B, 32H, 12x142, THRU, BLACK, SRAM XD

ITEM NO.	PART NUMBER	DESCRIPTION	section/QTY.
1	ZH0272	HUB SHELL, FRONT, STANS, 3.30HD, 32H	1
2	ZH0009	BEARING, 6804, 32 x 20 x 7, CHROME	2
3	zh0129	AXLE SLEEVE, 20MM ID x 63MM, 3.30HD DISC FRONT HUB	1
4	ZH0225	END CAP, FRONT, STANS, 3.30HD, 15MM THRU, 32H, BLK	1
5	ZH0226	END CAP, FRONT, STANS, 3.30HD, 32H, 6 BOLT, 15MM THRU, BLK, DISC	1



Star's NOTUBES[®]

DWG. NO.

ZH0051

DESCRIPTION:

HUB, FRONT, STANS, 3.30HD, 6B, 32H, 15MM, THRU, BLACK

5

4

3

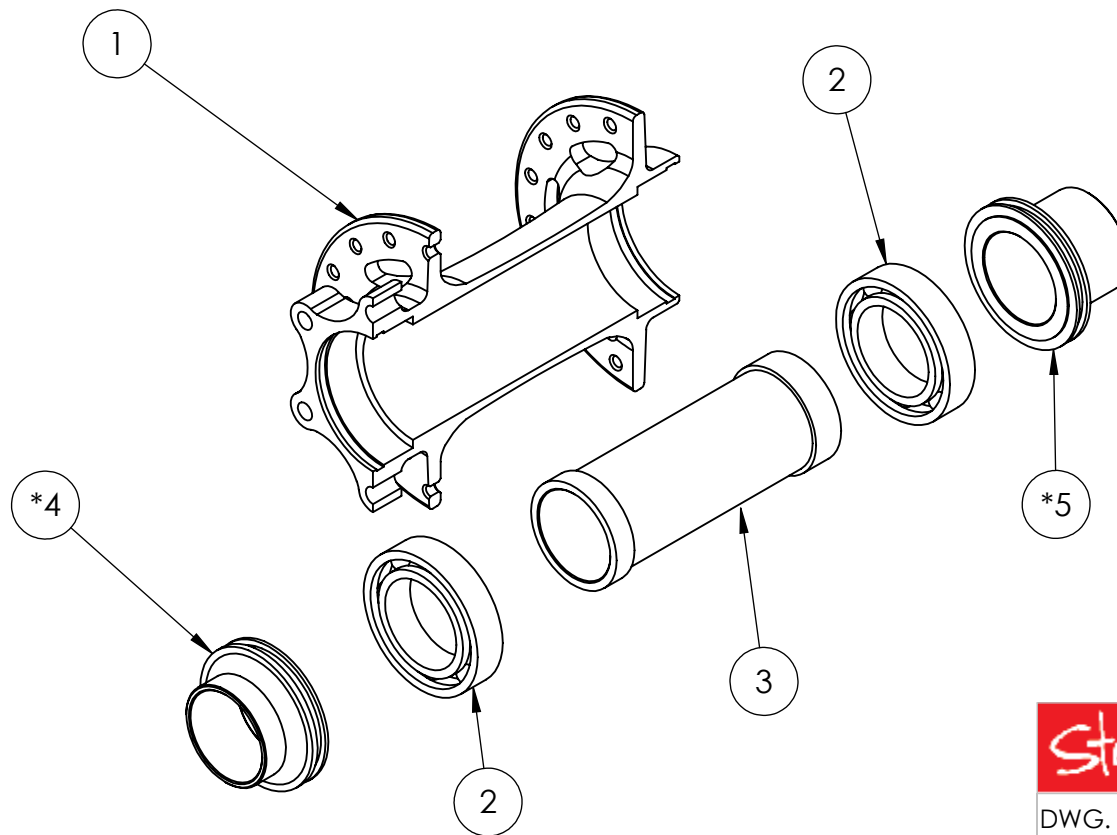
2

1

ITEM NO.	PART NUMBER	DESCRIPTION	QTY.
1	ZH0272	HUB SHELL, FRONT, STANS, 3.30HD, 32H	1
2	ZH0009	BEARING, 6804, 32 x 20 x 7, CHROME	2
3	ZH0129	AXLE SLEEVE, 20MM ID x 63MM, 3.30HD DISC FRONT HUB	1
*4	ZH0231	ENDCAP, FRONT, STANS, 3.30HD, 20MM THRU, RIGHT	1
*5	ZH0232	ENDCAP, FRONT, STANS, 3.30HD, 20MM THRU, DISC	1

* PAIRED KIT #
ZH0025

	LEFT	RIGHT
FLANGE ϕ	58.0 MM	58.0 MM
CTR TO FLANGE	22.5 MM	35.2 MM



Star's NOTUBES®

DWG. NO.

ZH0003

DESCRIPTION:

HUB, FRONT, STANS, 3.30HD, 6B, 32H, 20MM, THRU, BLACK

5

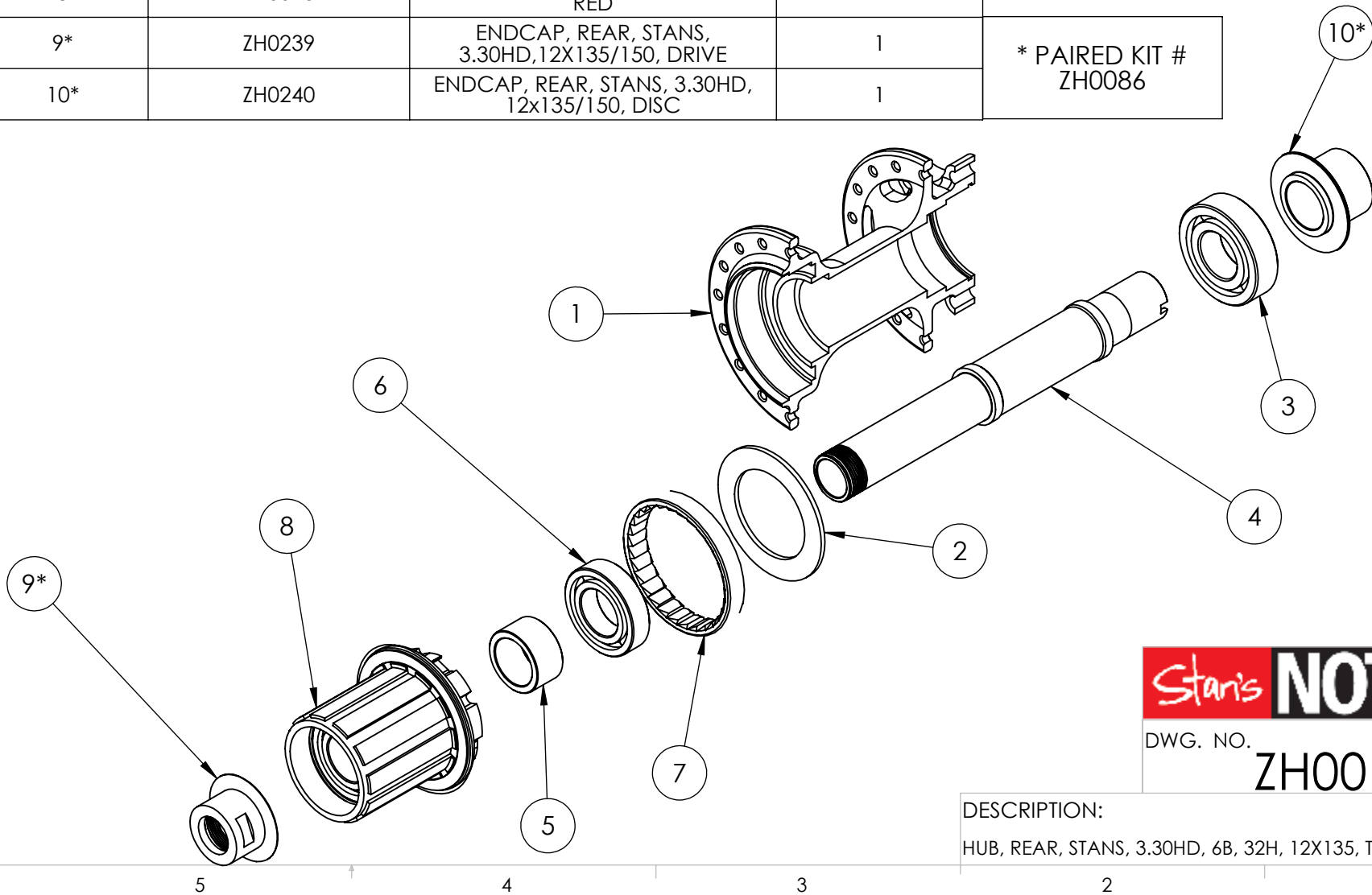
4

3

2

1

ITEM NO.	PART NUMBER	DESCRIPTION	SECTION/QTY.			
				FLANGE Ø	LEFT	RIGHT
1	ZH0290	HUB SHELL, STANS, REAR, HD, 32H, BLK,	1	58.0 MM	58.0 MM	
2	ZH0260	WASHER, RACHET RING, STANS, 3.30HD	1	34.5 MM	20.0 MM	
3	ZH0014	BEARING, 6002, 15X32X9, CHROME	1			
4	ZH0039	AXLE, REAR, STANS, 3.30HD, 12x135	1			
5	ZH0045	SPACER, FREEHUB, 3.30, 10.5MM	1			
6	ZH0010	BEARING, 6902, 15x28x7, CHROME	1			
7	ZH0028	RATCHET RING, FREEHUB, STAN'S, 3.30, 30 TOOTH	1			
8	ZH0043	FREE HUB, ZTR HD/3.30HD, DISC, RED	1			
9*	ZH0239	ENDCAP, REAR, STANS, 3.30HD, 12X135/150, DRIVE	1			* PAIRED KIT # ZH0086
10*	ZH0240	ENDCAP, REAR, STANS, 3.30HD, 12x135/150, DISC	1			



Star's NOTUBES®

DWG. NO.

ZH0017

DESCRIPTION:

HUB, REAR, STANS, 3.30HD, 6B, 32H, 12X135, THRU, BLACK, SHIMANO

5

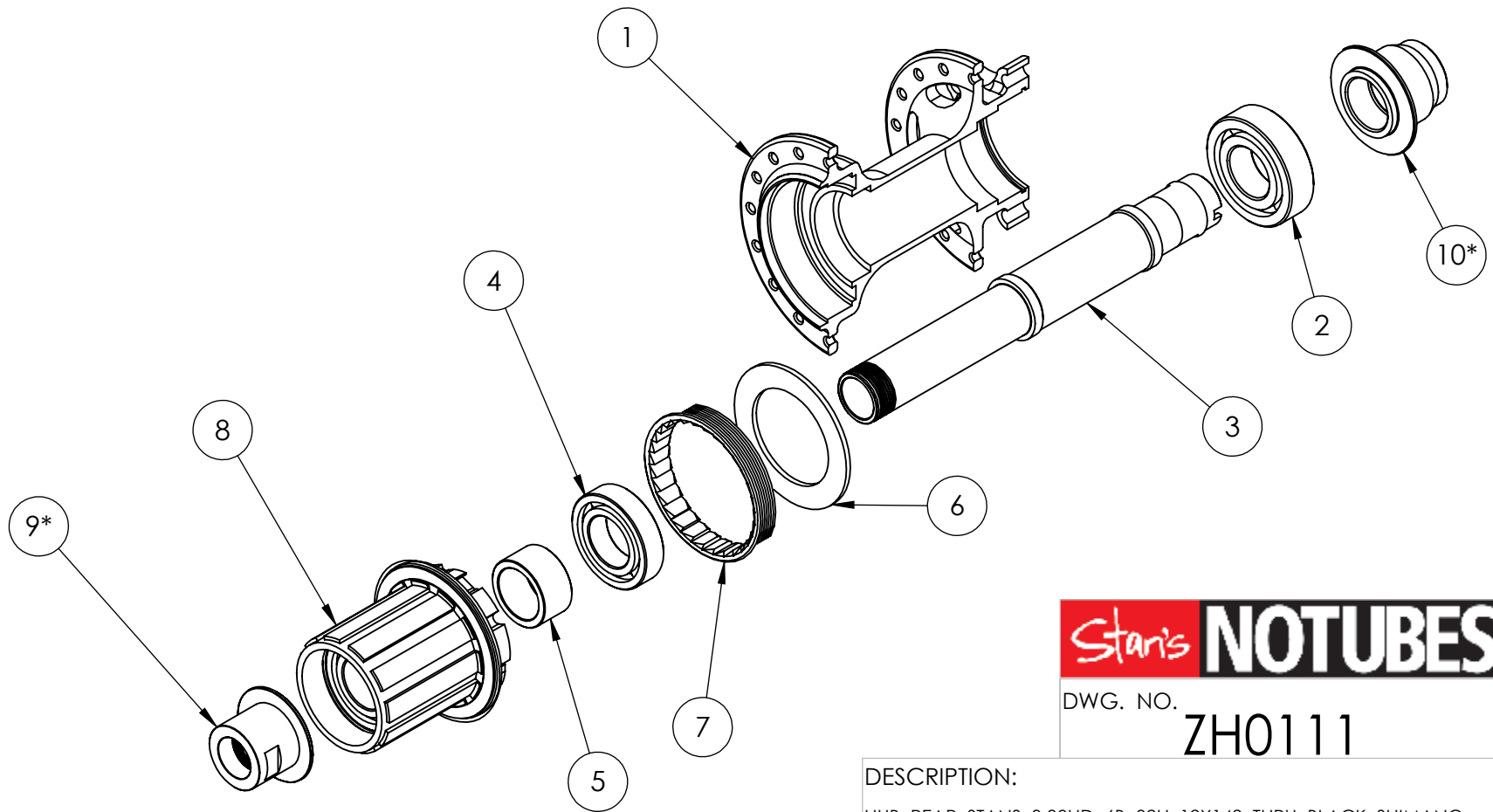
4

3

2

1

ITEM NO.	PART NUMBER	DESCRIPTION	SECTION/QTY.		
				LEFT	RIGHT
1	ZH0290	HUB SHELL, STANS, REAR, HD, 32H, BLK,	1	FLANGE ϕ	58.0 MM
2	ZH0014	BEARING, 6002, 15X32X9, CHROME	1	CTR TO FLANGE	34.5 MM
3	ZH0039	AXLE, REAR, STANS, 3.30HD, 12x135	1		20.0 MM
4	ZH0010	BEARING, 6902, 15x28x7, CHROME	1		
5	ZH0045	SPACER, FREEHUB, 3.30, 10.5MM	1		
6	ZH0260	WASHER, RACHET RING, STANS, 3.30HD	1		
7	ZH0028	RATCHET RING, FREEHUB, STAN'S, 3.30, 30 TOOTH	1		
8	ZH0043	FREE HUB, ZTR HD/3.30HD, DISC, RED	1		
9*	ZH0227	END CAP, REAR, STANS, 3.30HD, 12x142 THRU, DRIVE	1	* PAIRED KIT # ZH0013	
10*	ZH0228	END CAP, REAR, STANS, 3.30HD, 12x142 THRU, DISC	1		



Staris NOTUBES[®]

DWG. NO.

ZH0111

DESCRIPTION:

HUB, REAR, STANS, 3.30HD, 6B, 32H, 12X142, THRU, BLACK, SHIMANO

5

4

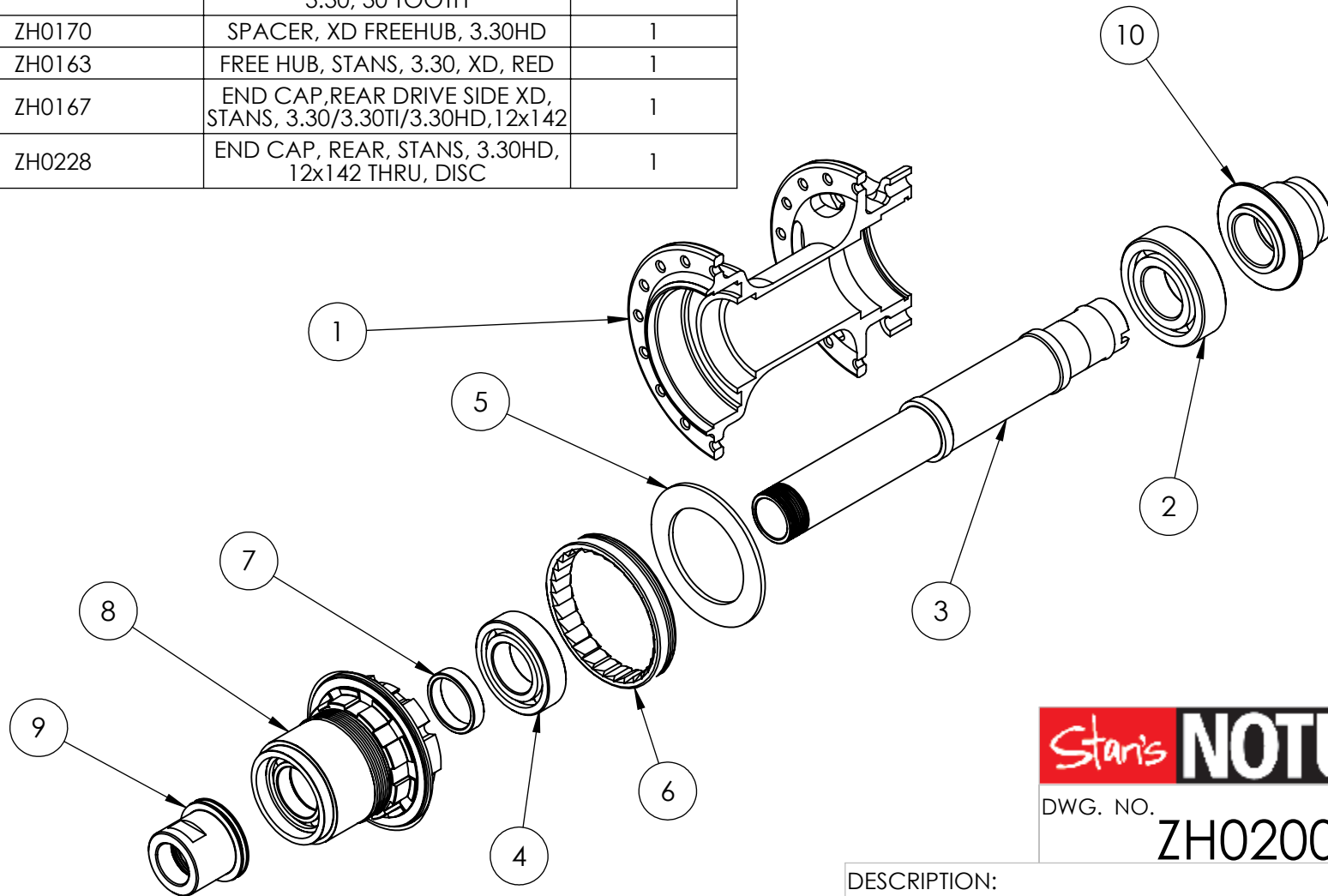
3

2

1

ITEM NO.	PART NUMBER	DESCRIPTION	SECTION /QTY.
1	ZH0290	HUB SHELL, STANS, REAR, HD, 32H, BLK,	1
2	ZH0014	BEARING, 6002, 15X32X9, CHROME	1
3	ZH0039	AXLE, REAR, STANS, 3.30HD, 12x135	1
4	ZH0010	BEARING, 6902, 15x28x7, CHROME	1
5	ZH0260	WASHER, RACHET RING, STANS, 3.30HD	1
6	ZH0028	RATCHET RING, FREEHUB, STAN'S, 3.30, 30 TOOTH	1
7	ZH0170	SPACER, XD FREEHUB, 3.30HD	1
8	ZH0163	FREE HUB, STANS, 3.30, XD, RED	1
9	ZH0167	END CAP, REAR DRIVE SIDE XD, STANS, 3.30/3.30TI/3.30HD, 12x142	1
10	ZH0228	END CAP, REAR, STANS, 3.30HD, 12x142 THRU, DISC	1

	LEFT	RIGHT
FLANGE Ø	58.0 MM	58.0 MM
CTR TO FLANGE	34.5 MM	20.00 MM



Staris NOTUBES[®]

DWG. NO.

ZH0200

DESCRIPTION:

HUB, REAR, STANS, 3.30HD, 6B, 32H, 12x142, THRU, BLACK, SRAM XD

5

4

3

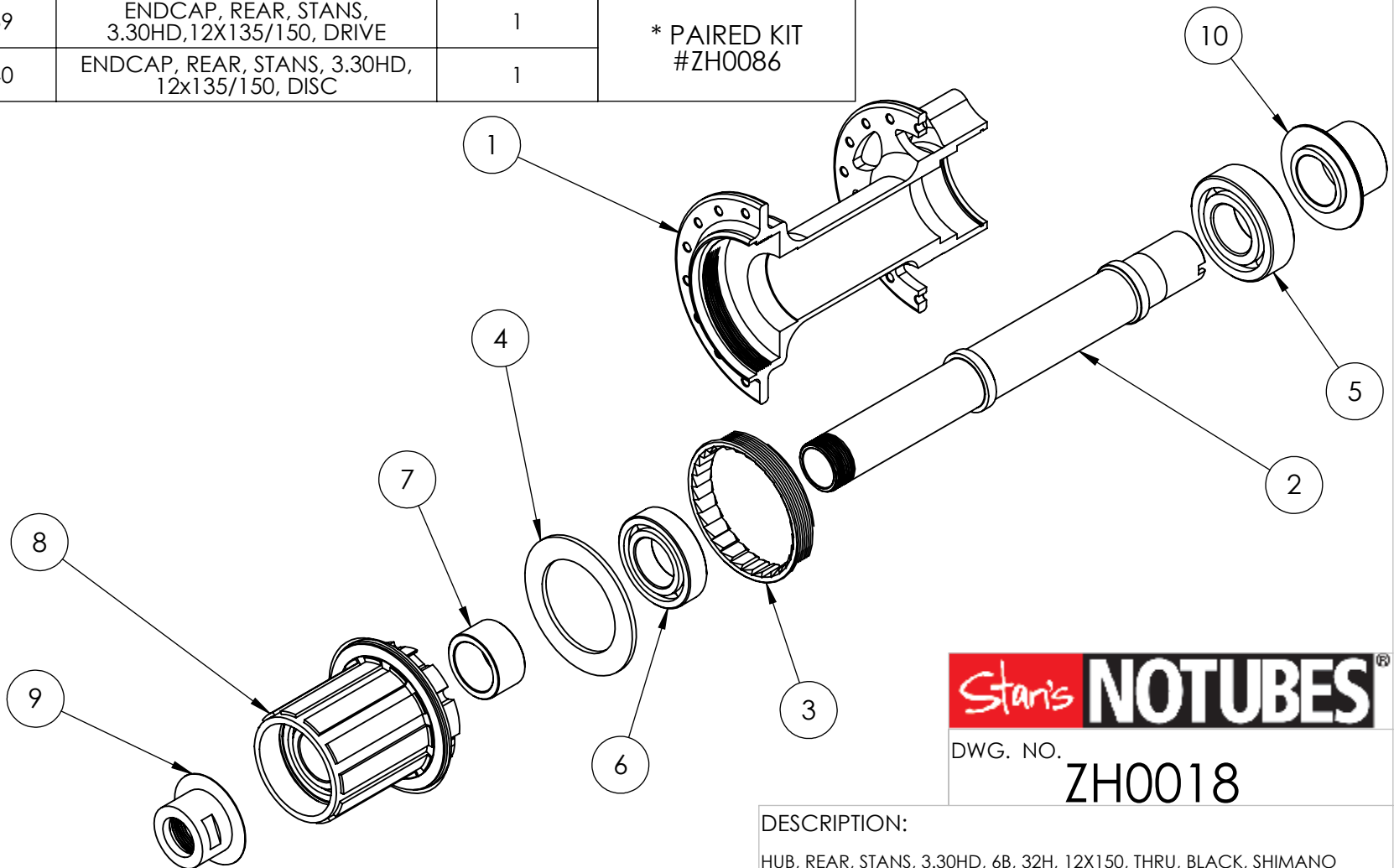
2

1

ITEM NO.	PART NUMBER	DESCRIPTION	SECTION/QTY.
1	ZH0344	HUB SHELL, REAR, STANS, 3.30HD, 32H	1
2	ZH0040	AXLE, REAR, STANS, 3.30HD, 12X150	1
3	ZH0028	RATCHET RING, FREEHUB, STAN'S, 3.30, 30 TOOTH	1
4	ZH0260	WASHER, RACHET RING, STANS, 3.30HD	1
5	ZH0014	BEARING, 6002, 15X32X9, CHROME	1
6	ZH0010	BEARING, 6902, 15x28x7, CHROME	1
7	ZH0045	SPACER, FREEHUB, 3.30, 10.5MM	1
8	ZH0043	FREE HUB, ZTR HD/3.30HD, DISC, RED	1
9	ZH0239	ENDCAP, REAR, STANS, 3.30HD, 12X135/150, DRIVE	1
10	ZH0240	ENDCAP, REAR, STANS, 3.30HD, 12x135/150, DISC	1

	LEFT (DISC)	RIGHT
FLANGE Ø	58.0 MM	58.0 MM
CTR TO FLANGE	35.0 MM	28.0 MM

* PAIRED KIT
#ZH0086



Staris NOTUBES®

DWG. NO.

ZH0018

DESCRIPTION:

HUB, REAR, STANS, 3.30HD, 6B, 32H, 12X150, THRU, BLACK, SHIMANO

5

4

3

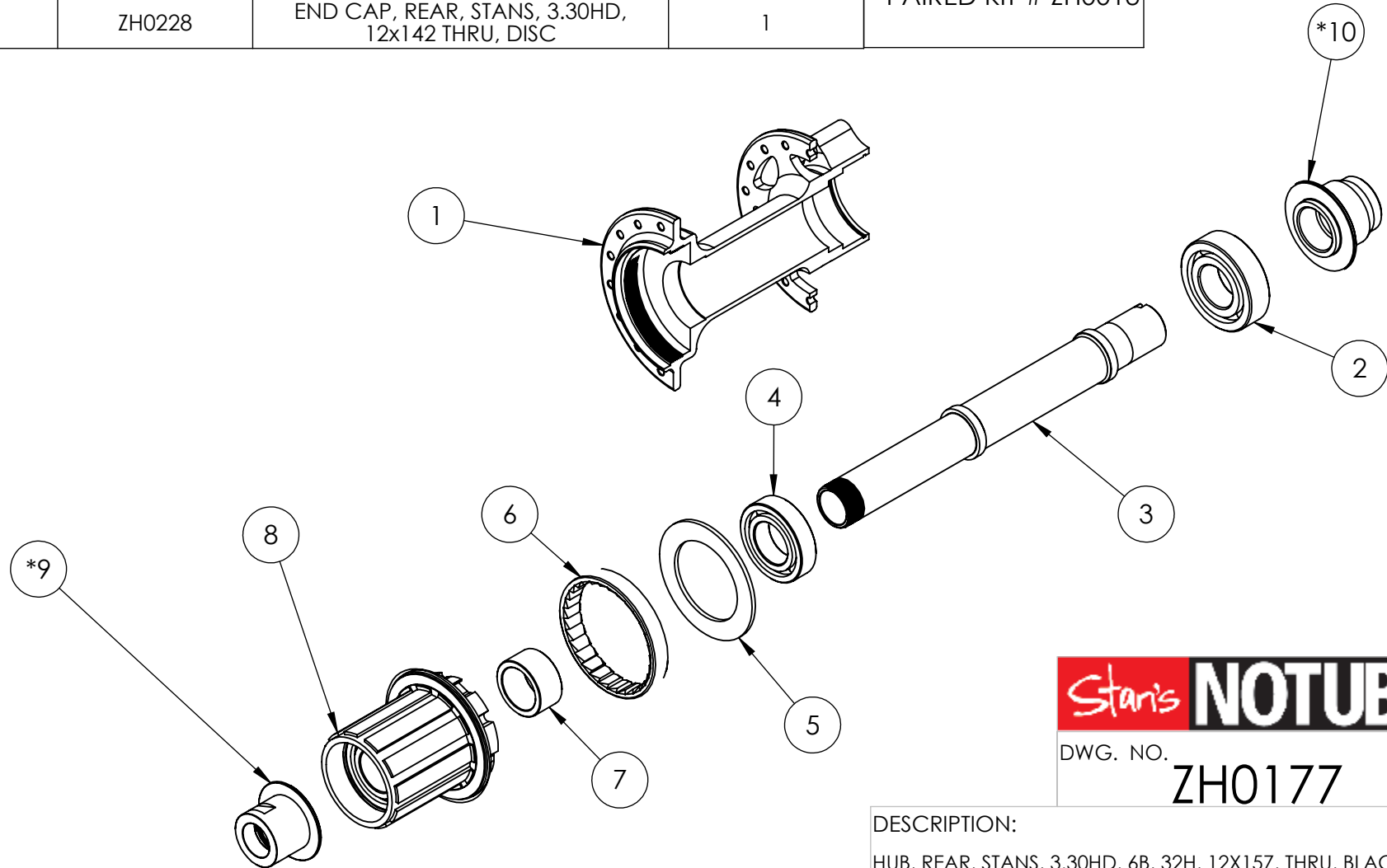
2

1

ITEM NO.	PART NUMBER	DESCRIPTION	SECTION/QTY.
1	ZH0344	HUB SHELL, REAR, STANS, 3.30HD, 32H	1
2	ZH0014	BEARING, 6002, 15X32X9, CHROME	1
3	ZH0040	AXLE, REAR, STANS, 3.30HD, 12X150	1
4	ZH0010	BEARING, 6902, 15x28x7, CHROME	1
5	ZH0260	WASHER, RACHET RING, STANS, 3.30HD	1
6	ZH0028	RATCHET RING, FREEHUB, STAN'S, 3.30, 30 TOOTH	1
7	ZH0046	SPACER, FREE HUB, 3.30HD, 10.05MM	1
8	ZH0043	FREE HUB, ZTR HD/3.30HD, DISC, RED	1
*9	ZH0227	END CAP, REAR, STANS, 3.30HD, 12x142 THRU, DRIVE	1
*10	ZH0228	END CAP, REAR, STANS, 3.30HD, 12x142 THRU, DISC	1

	LEFT (DISC)	RIGHT
FLANGE ϕ	58.0 MM	58.0 MM
CTR TO FLANGE	35.0 MM	28.0 MM

* PAIRED KIT # ZH0013



Staris NOTUBES[®]

DWG. NO.

ZH0177

DESCRIPTION:

HUB, REAR, STANS, 3.30HD, 6B, 32H, 12X157, THRU, BLACK, SHIMANO

5

4

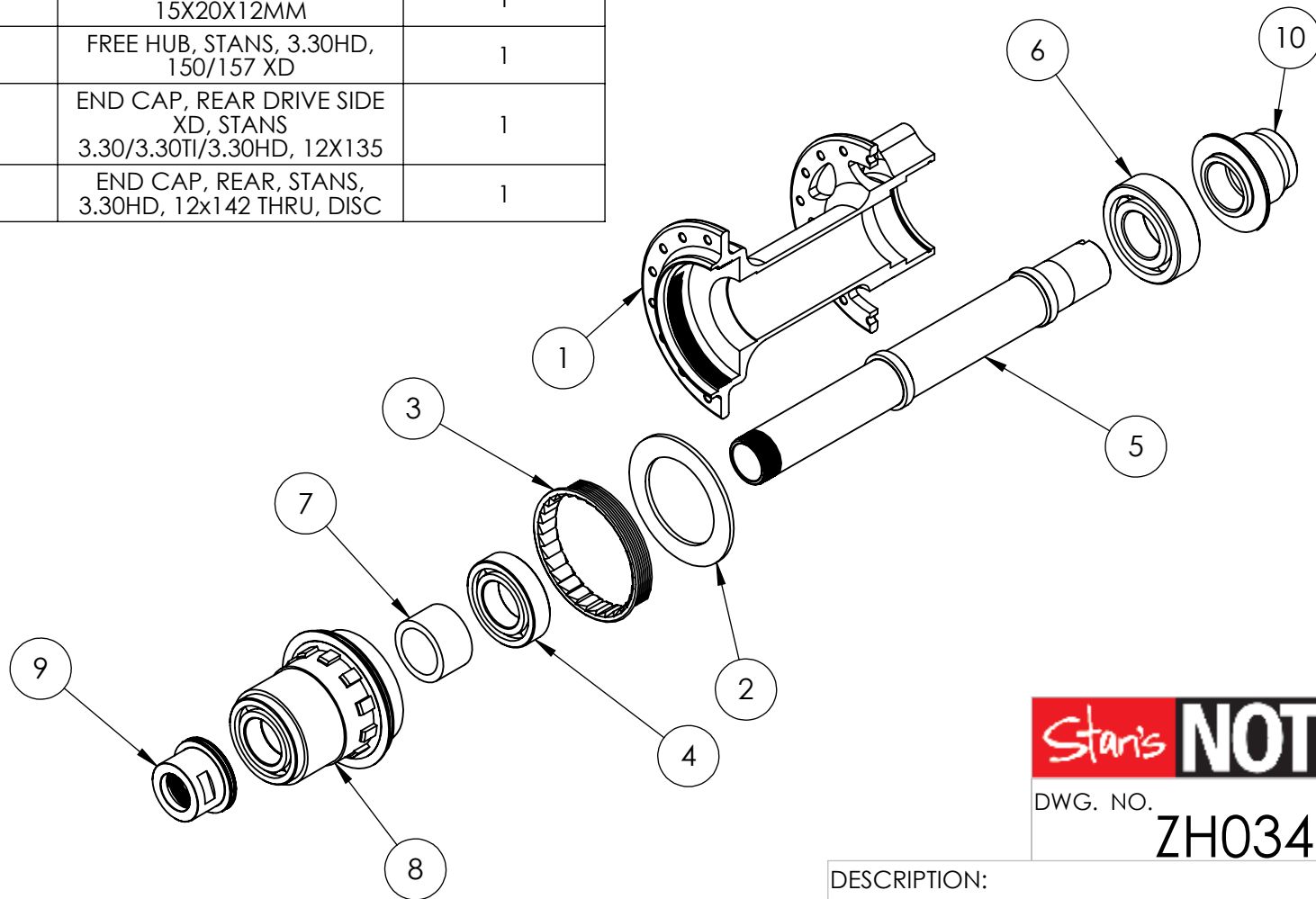
3

2

1

ITEM NO.	PART NUMBER	DESCRIPTION	section/QTY.
1	ZH0344	HUB SHELL, REAR, STANS, 3.30HD, 32H	1
2	ZH0260	WASHER, RACHET RING, STANS, 3.30HD	1
3	ZH0028	RATCHET RING, FREEHUB, STAN'S, 3.30, 30 TOOTH	1
4	ZH0010	BEARING, 6902, 15x28x7, CHROME	1
5	ZH0040	AXLE, REAR, STANS, 3.30HD, 12X150	1
6	ZH0014	BEARING, 6002, 15X32X9, CHROME	1
7	ZH0346	SPACER, FREE HUB, STANS, 15X20X12MM	1
8	ZH0345	FREE HUB, STANS, 3.30HD, 150/157 XD	1
9	ZH0168	END CAP, REAR DRIVE SIDE XD, STANS 3.30/3.30TI/3.30HD, 12X135	1
10	ZH0228	END CAP, REAR, STANS, 3.30HD, 12x142 THRU, DISC	1

	LEFT (DISC)	RIGHT
FLANGE ϕ	58.0 MM	58.0 MM
CTR TO FLANGE	35.0 MM	28.0 MM



Staris NOTUBES[®]

DWG. NO.

ZH0343

DESCRIPTION:

HUB, REAR, STANS, 3.30HD, 6B, 32H, 12x157, THRU, BLACK, SRAM XD

5

4

3

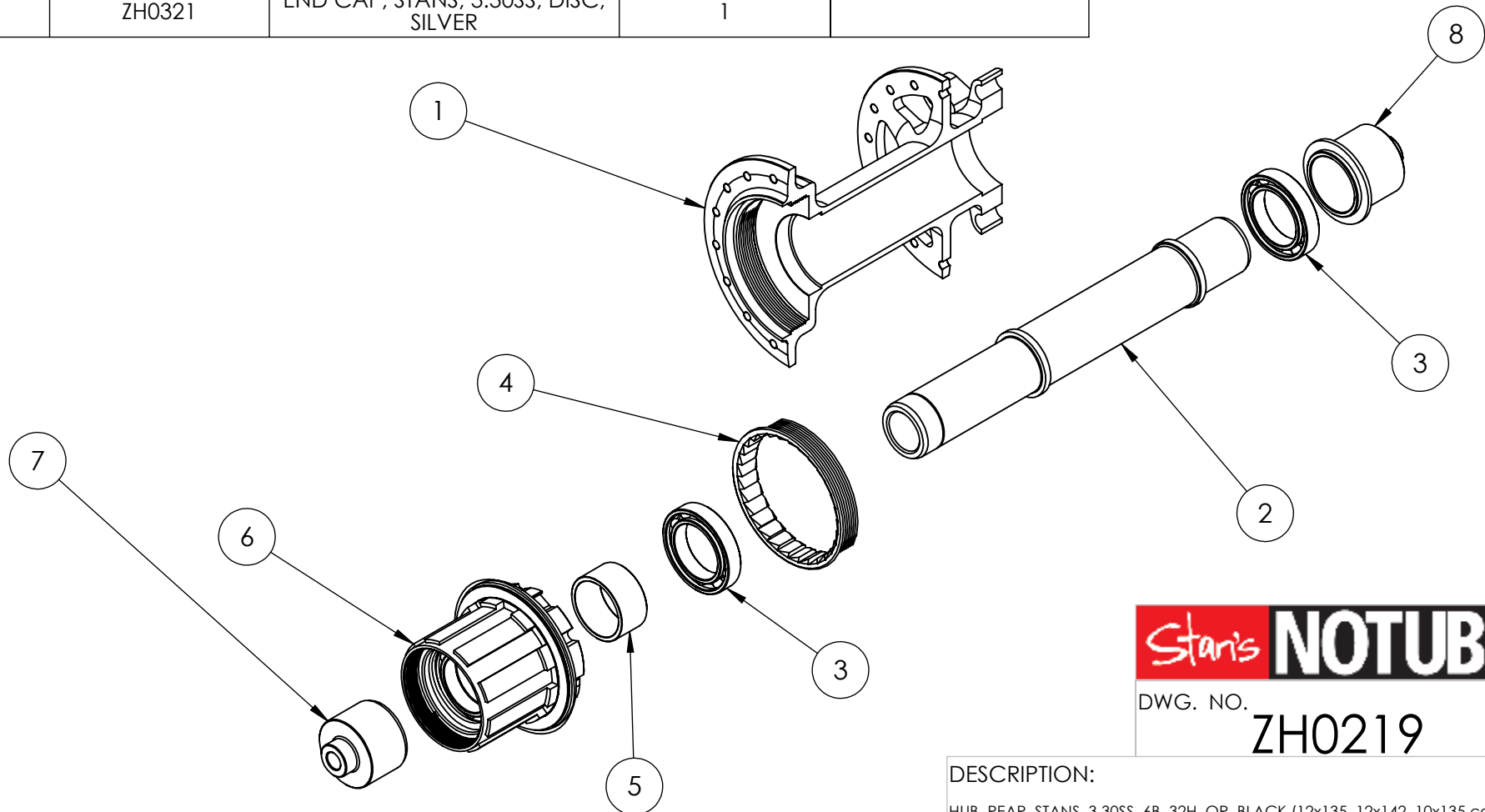
2

1

ITEM NO.	PART NUMBER	DESCRIPTION	section/QTY.
1	ZH0308	HUB SHELL, REAR, STANS, SS, 32H, 6 BOLT, BLK, 17MM AXLE	1
2	ZH0332	AXLE ,STANS, SINGLE SPEED, 17MM, DOUBLE PRESSFIT(n816r)	1
3	ZH0306	BEARING, 6803, 17x26x5, CHROME	2
4	ZH0028	RATCHET RING, FREEHUB, STAN'S, 3.30, 30 TOOTH	1
5	ZH0309	SPACER, FREEHUB, SS, 17MM AXLE, 10MM	1
6	ZH0224	FREEHUB, STANS, 3.30SS, RED (FOR 17MM OD AXLE)	1
7	ZH0320	END CAP, REAR, STANS, 3.30SS, 5x135 THRU, DRIVE, SILVER	1
8	ZH0321	END CAP, STANS, 3.30SS, DISC, SILVER	1

	LEFT (DISC)	RIGHT
FLANGE ϕ	58.0MM	58.0MM
CTR TO FLANGE	30.4MM	30.4MM

* PAIRED KIT # ZH0208



Staris NOTUBES[®]

DWG. NO.

ZH0219

DESCRIPTION:

HUB, REAR, STANS, 3.30SS, 6B, 32H, QR, BLACK (12x135, 12x142, 10x135 compatible)

5

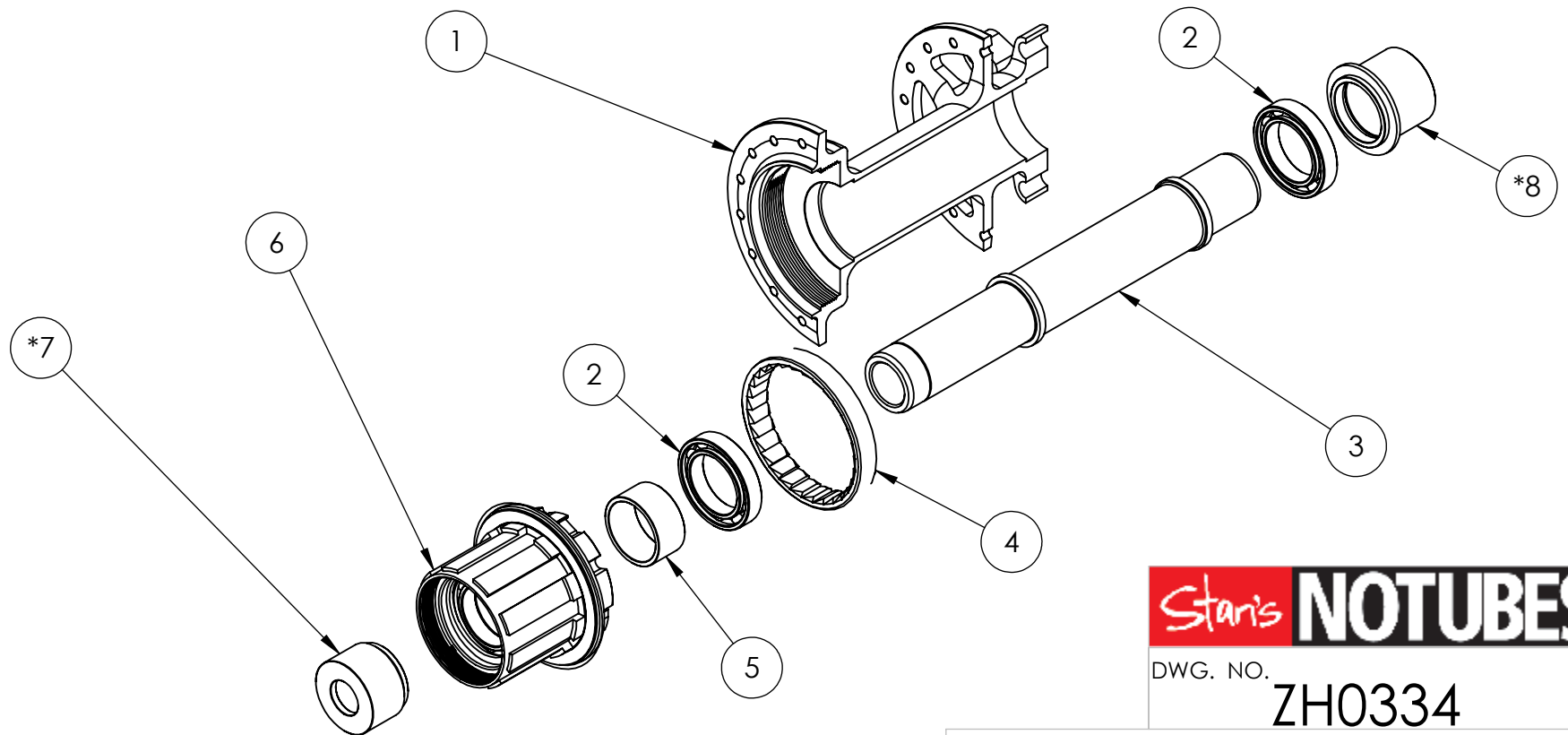
4

3

2

1

ITEM NO.	PART NUMBER	DESCRIPTION	SECTION/QTY.			LEFT (DISC)	RIGHT
1	ZH0308	HUB SHELL, REAR, STANS, SS,32H, 6 BOLT, BLK, 17MM AXLE	1				
2	ZH0306	BEARING, 6803, 17x26x5, CHROME	2			58.0 MM	58.0 MM
3	ZH0332	AXLE, STANS, SINGLE SPEED, 17MM, DOUBLE PRESSFIT(n816r)	1			30.4 MM	30.4 MM
4	ZH0028	RATCHET RING, FREEHUB, STAN'S, 3.30, 30 TOOTH	1				
5	ZH0310	SPACER, FREEHUB, STANS, 17.1x19.8x5.8	1				
6	ZH0224	FREEHUB, STANS, 3.30SS, RED (FOR 17MM OD AXLE)	1				
*7	ZH0314	END CAP, REAR, STANS, 3.30SS, 10x135, DRIVE, SILVER	1		* PAIRED KIT # ZH0207		
*8	ZH0315	END CAP, REAR, STANS, 3.30SS, 10x135 THRU, DISC, SILVER	1				



Staris NOTUBES®

DWG. NO.

ZH0334

DESCRIPTION:

HUB, REAR, STANS, 3.30SS, 6B, 32H, 10X135, BLACK, SHIMANO

5

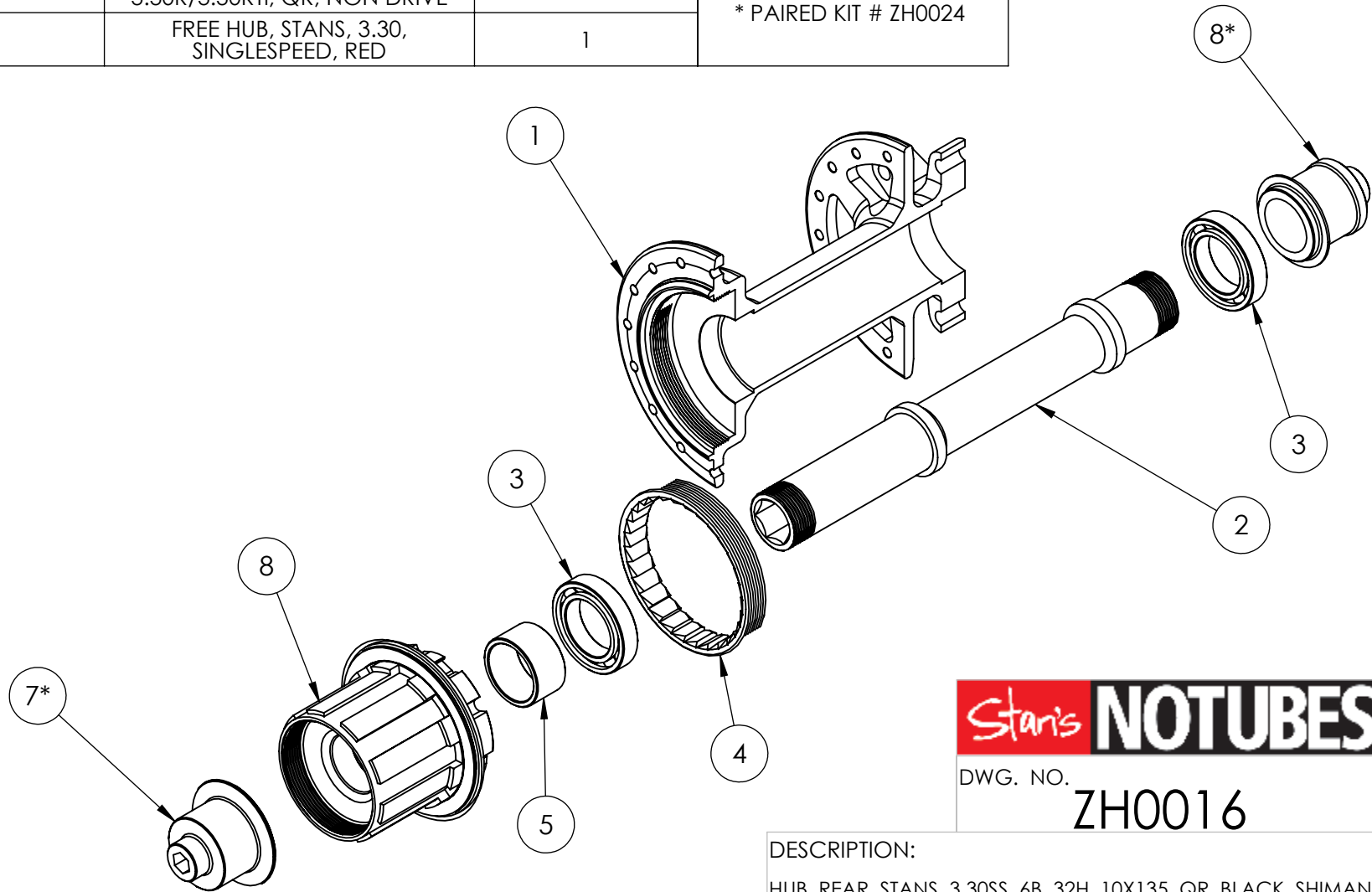
4

3

2

1

ITEM NO.	PART NUMBER	DESCRIPTION	SECTION/QTY.			
				FLANGE Ø	LEFT	RIGHT
1	ZH0291	HUB SHELL, REAR, STANS, SS, 32H, BLK	1	58.0 MM	58.0 MM	
2	ZH0038	AXLE, REAR, STANS. 3.30SS	1	33.5MM	29.5 MM	
3	ZH0011	BEARING, 6802, 24x15x5 , CHROME	2			
4	ZH0028	RATCHET RING, FREEHUB, STAN'S, 3.30, 30 TOOTH	1			
5	ZH0047	SPACER, FREEHUB, 3.30SS, 9.6MM	1			
7*	ZH0229	END CAP, REAR, STANS, 3.30R/3.30RTi, QR, DRIVE	1			
8*	ZH0230	END CAP, REAR, STANS, 3.30R/3.30RTi, QR, NON DRIVE	1			* PAIRED KIT # ZH0024
8	ZH0015	FREE HUB, STANS, 3.30, SINGLESPEED, RED	1			



Staris NOTUBES®

DWG. NO.

ZH0016

DESCRIPTION:

HUB, REAR, STANS, 3.30SS, 6B, 32H, 10X135, QR, BLACK, SHIMANO

5

4

3

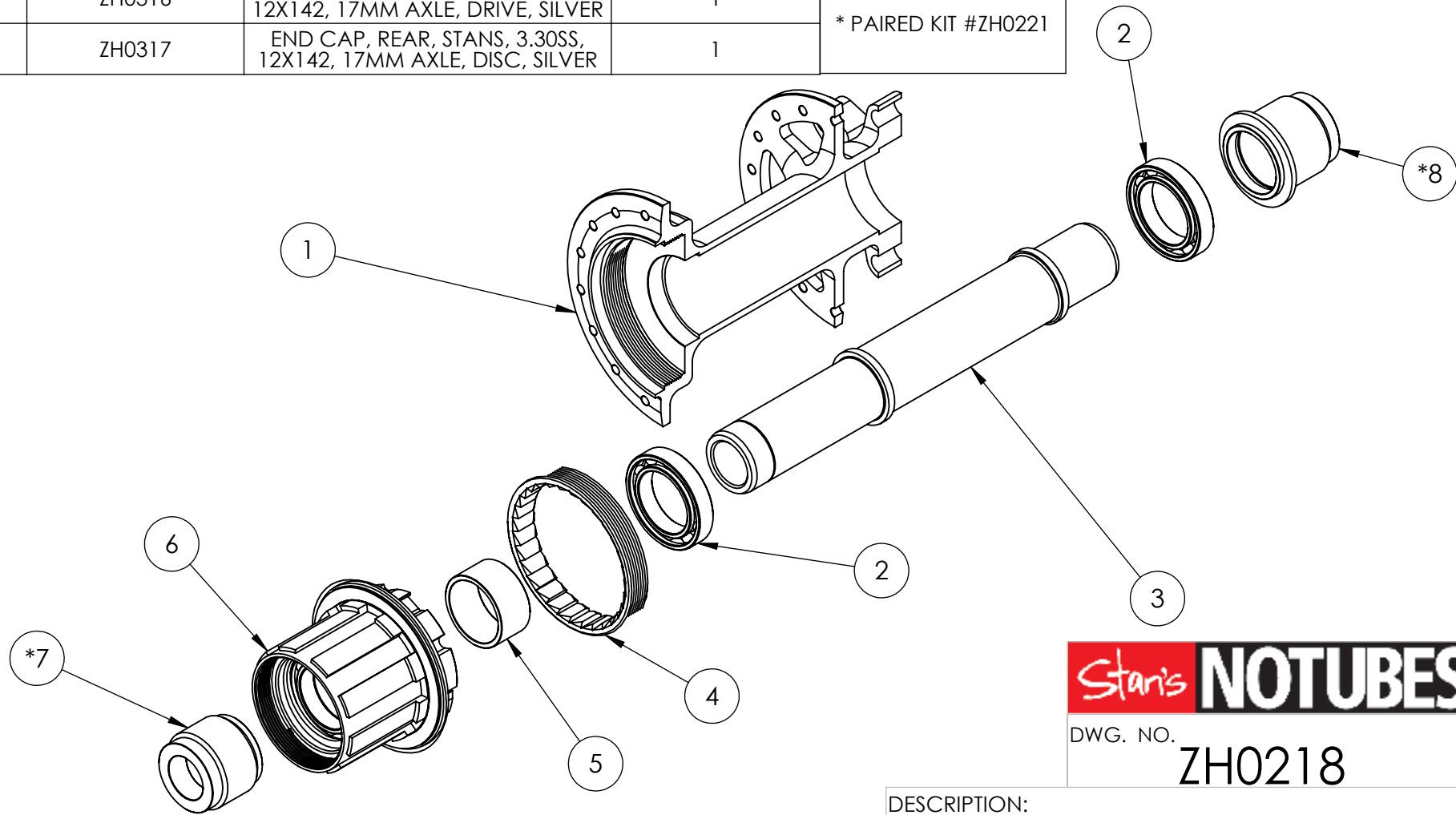
2

1

ITEM NO.	PART NUMBER	DESCRIPTION	SECTION/QTY.
1	ZH0308	HUB SHELL, REAR, STANS, SS, 32H, 6 BOLT, BLK, 17MM AXLE	1
2	ZH0306	BEARING, 6803, 17x26x5, CHROME	2
3	ZH0332	AXLE, STANS, SINGLE SPEED, 17MM, DOUBLE PRESSFIT (n816r)	1
4	ZH0028	RATCHET RING, FREEHUB, STAN'S, 3.30, 30 TOOTH	1
5	ZH0309	SPACER, FREEHUB, SS, 17MM AXLE, 10MM	1
6	ZH0224	FREEHUB, STANS, 3.30SS, RED (FOR 17MM OD AXLE)	1
*7	ZH0316	END CAP, REAR, STANS, 3.30SS, 12X142, 17MM AXLE, DRIVE, SILVER	1
*8	ZH0317	END CAP, REAR, STANS, 3.30SS, 12X142, 17MM AXLE, DISC, SILVER	1

	LEFT (DISC)	RIGHT
FLANGE Ø	58.0mm	58.00
CTR TO FLANGE	30.4	30.4

* PAIRED KIT #ZH0221



Staris NOTUBES®

DWG. NO.

ZH0218

DESCRIPTION:

HUB, REAR, STANS, 3.30SS, 6B, 32H, 12X142, THRU, BLACK, SHIMANO

5

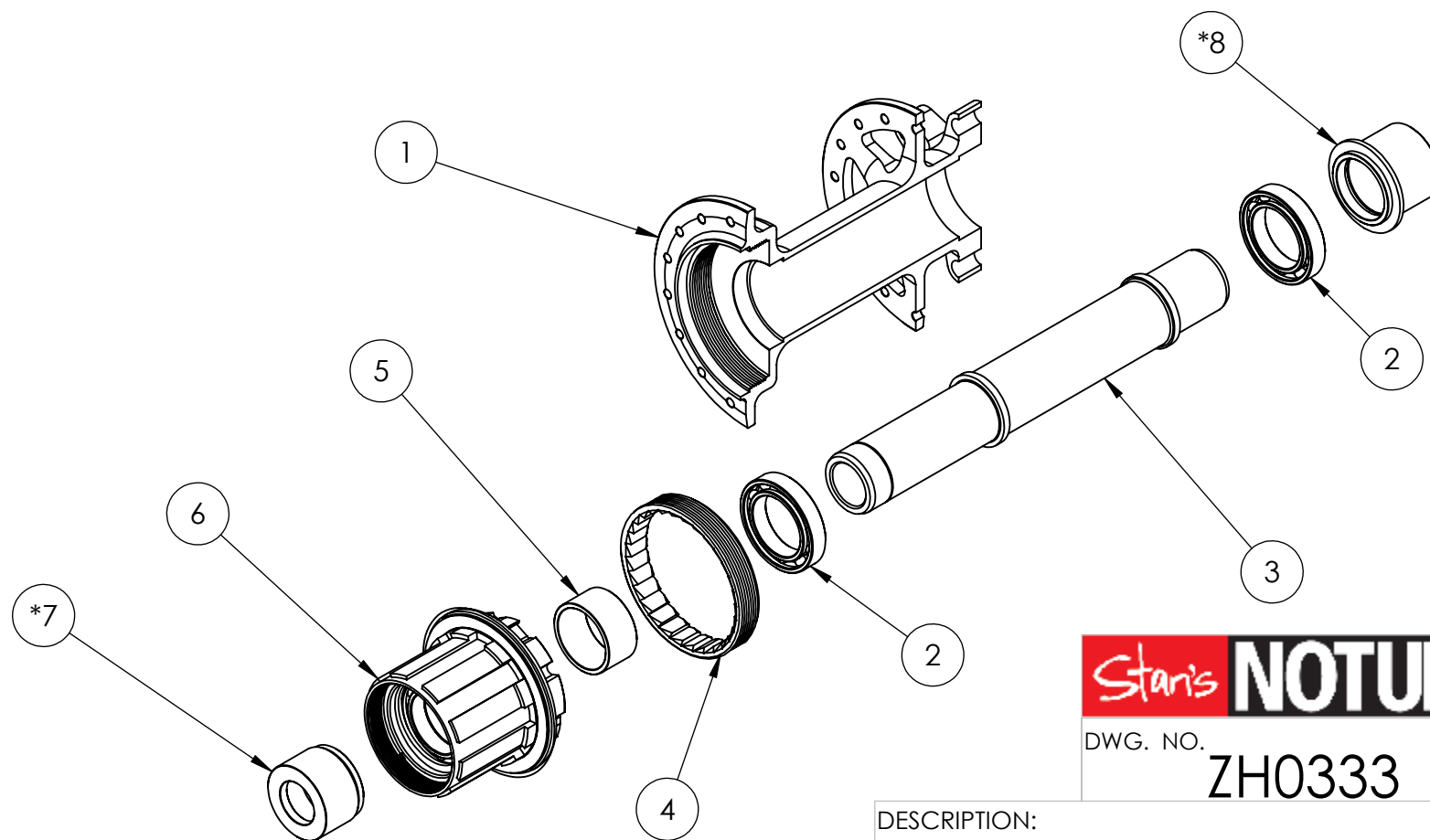
4

3

2

1

ITEM NO.	PART NUMBER	DESCRIPTION	section/QTY.			
				FLANGE ϕ	LEFT (DISC)	RIGHT
1	ZH0308	HUB SHELL, REAR, STANS, SS, 32H, 6 BOLT, BLK, 17MM AXLE	1		58.0 MM	58.0 MM
2	ZH0306	BEARING, 6803, 17x26x5, CHROME	2	CTR TO FLANGE	30.4MM	30.4MM
3	ZH0332	AXLE, STANS, SINGLE SPEED, 17MM, DOUBLE PRESSFIT(n816r)	1			
4	ZH0028	RATCHET RING, FREEHUB, STAN'S, 3.30, 30 TOOTH	1			
5	ZH0309	SPACER, FREEHUB, SS, 17MM AXLE, 10MM	1			
6	ZH0224	FREEHUB, STANS, 3.30SS, RED (FOR 17MM OD AXLE)	1			
*7	ZH0318	END CAP, REAR, STANS, 3.30SS, 12X135, 17MM AXLE, DRIVE, SILVER	1	* PAIRED KIT #ZH0222		
*8	ZH0319	END CAP, REAR, STANS, 3.30SS, 12X135, 17MM AXLE, DISC, SILVER	1			



Staris NOTUBES[®]

DWG. NO.

ZH0333

DESCRIPTION:

HUB, REAR, STANS, 3.30SS, 6B, 32H, 12X135, THRU, BLACK, SHIMANO

5

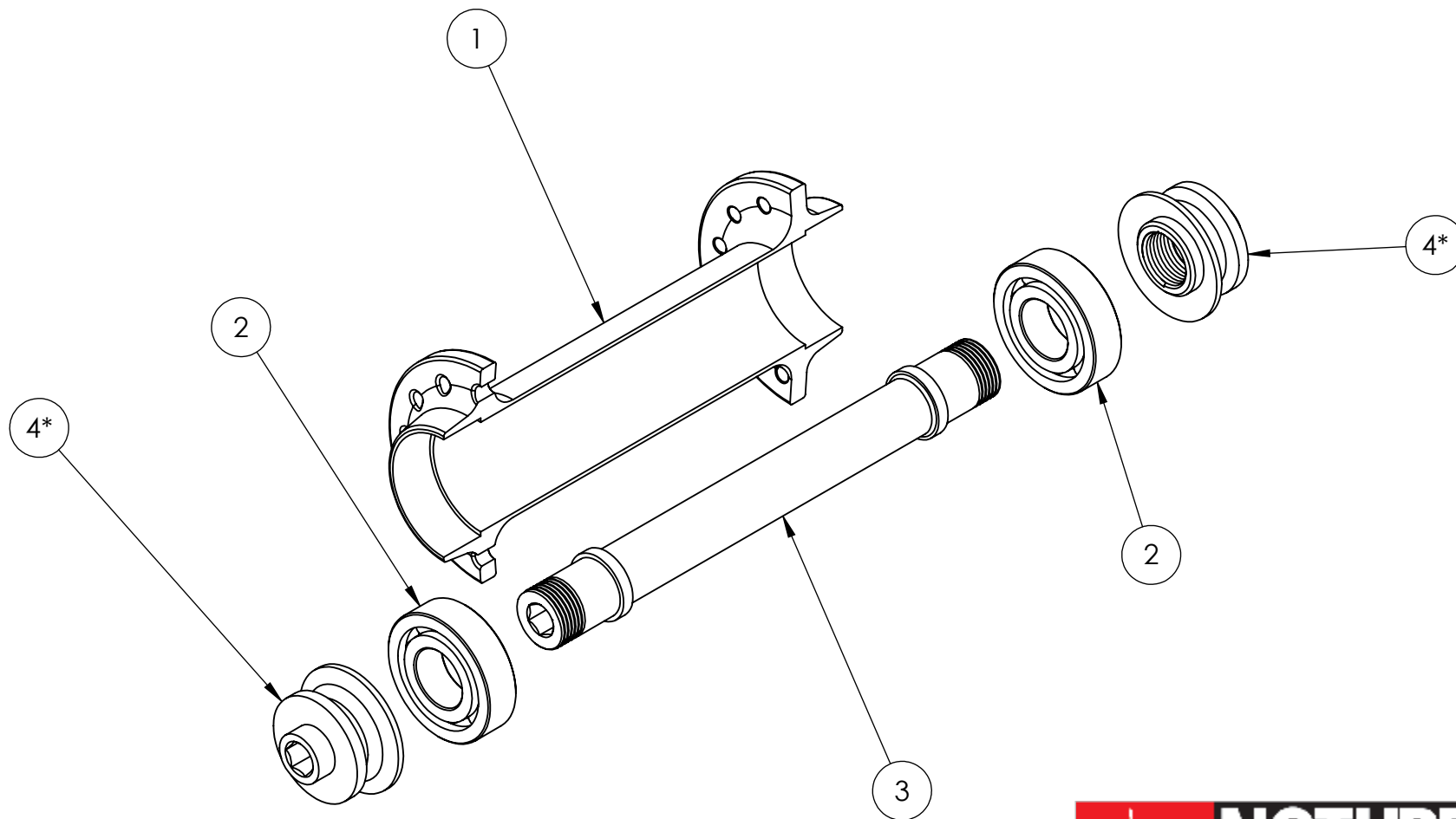
4

3

2

1

ITEM NO.	PART NUMBER	DESCRIPTION	SECTION/QTY.			LEFT	RIGHT
1	ZH0269	HUB SHELL, FRONT, STANS, 3.30R, 24H, BLK	1			FLANGE \varnothing	31.0 MM
2	ZH0305	BEARING, 6900, STAINLESS, 10x21x6, 3.30R	2			CTR TO FLANGE	33.4 MM
3	ZH0171	AXLE, FRONT, STANS, 3.30, R/RTi	1				33.4 MM
4*	ZH0303	END CAP, FRONT, STANS, 3.30 R/RTi	2	* PAIRED KIT ZH0172			



Star's NOTUBES[®]

DWG. NO.

ZH0071

DESCRIPTION:

HUB, FRONT, STANS, 3.30R, RIM, 24H, 9MM, QR, BLACK, STAINLESS

5

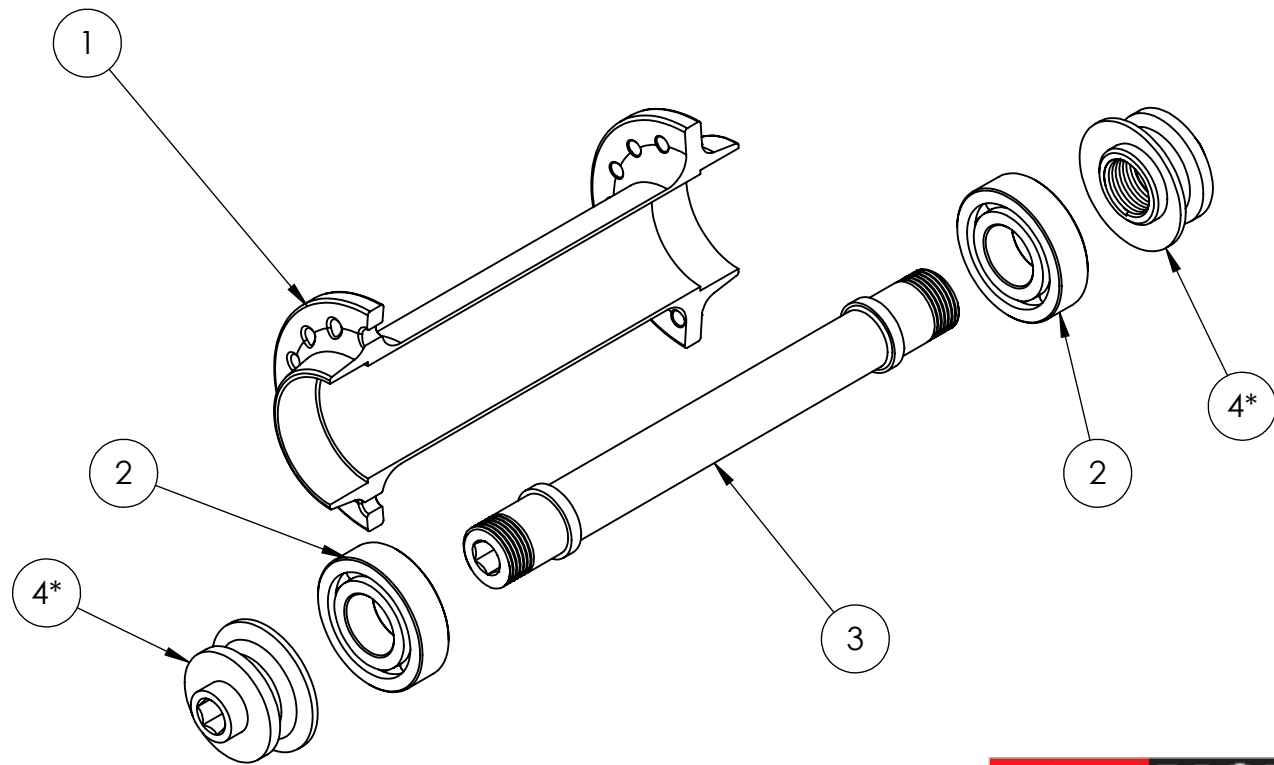
4

3

2

1

ITEM NO.	PART NUMBER	DESCRIPTION	SECTION/QTY.			LEFT	RIGHT
					FLANGE ϕ	31.0 MM	31.0 MM
1	ZH0270	HUB SHELL, FRONT, STANS, 3.30R, 28H, BLK	1		CTR TO FLANGE	33.4 MM	33.4 MM
2	ZH0089	BEARING, 6900, CHROME, 10x21x6, 3.30 R/RTi	2				
3	ZH0171	AXLE, FRONT, STANS, 3.30, R/RTi	1				
4*	ZH0303	END CAP, FRONT, STANS, 3.30 R/RTi	2	* PAIRED KIT #ZH0172			



Staris NOTUBES[®]

DWG. NO.

ZH0068

DESCRIPTION:

HUB, FRONT, STANS, 3.30R, RIM, 28H, 9MM, QR, BLACK

5

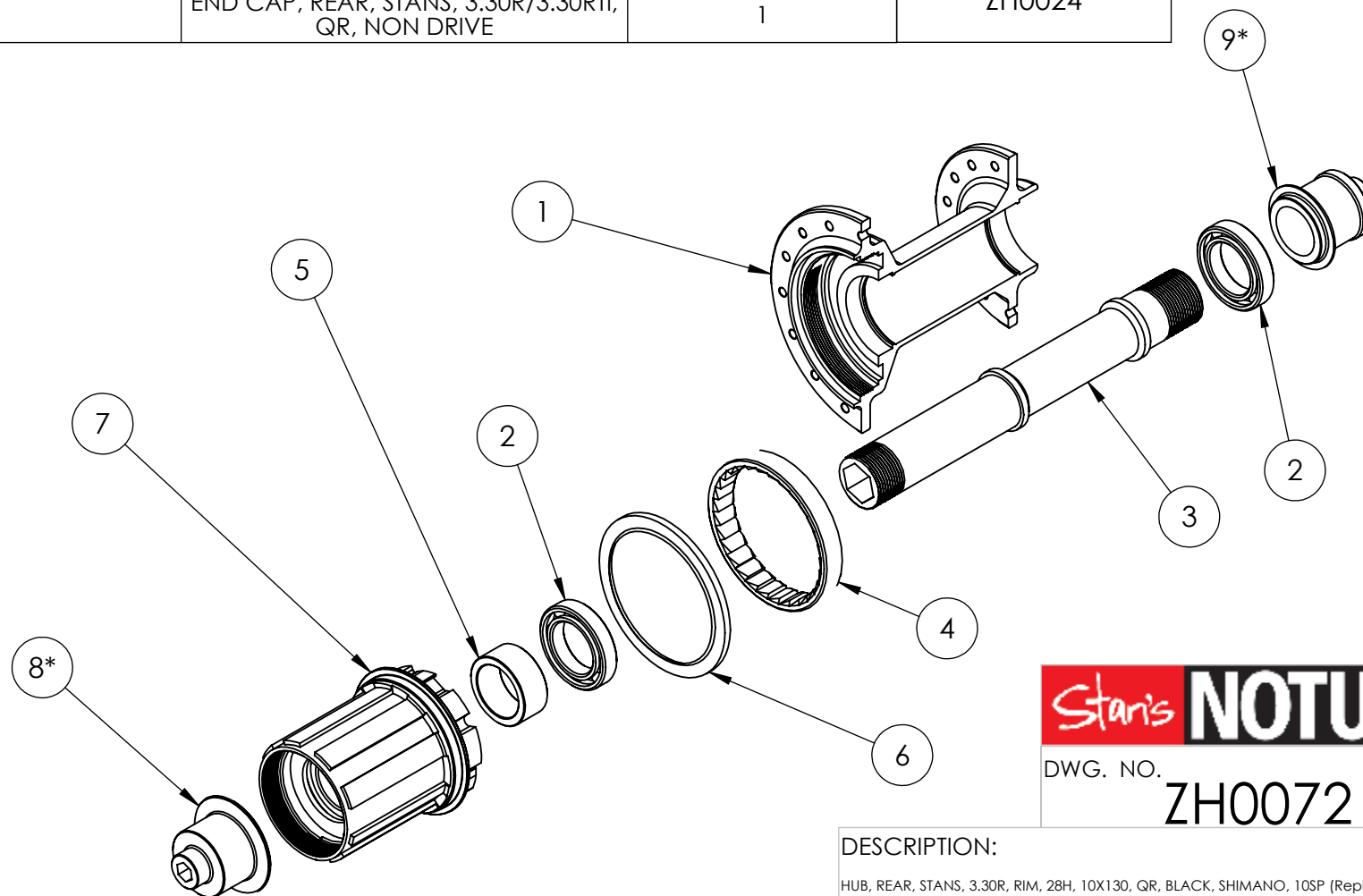
4

3

2

1

ITEM NO.	PART NUMBER	DESCRIPTION	SECTION/QTY.			LEFT	RIGHT
1	ZH0288	HUB SHELL, REAR, STANS, 3.30R, 28H, BLK	1				
2	ZH0096	BEARING, 6802, STAINLESS, 15x24x5, 3.30	2		FLANGE Ø	58.0 MM	58.0 MM
3	ZH0110	AXLE, REAR, STANS, 3.30 R/RTi	1		CTR TO FLANGE	34.5 MM	20.0 MM
4	ZH0028	RATCHET RING, FREEHUB, STAN'S, 3.30, 30 TOOTH	1				
5	ZH0048	SPACER, FREEHUB, 8.55MM	1				
6	ZH0099	SEAL, FREEHUB, 3.30R/3.30RTI, RUBBER	1				
7	ZH0042	FREEHUB, STANS, 3.30R, SHIMANO, RED	1				
8*	ZH0229	END CAP, REAR, STANS, 3.30R/3.30RTi, QR, DRIVE	1	* PAIRED KIT # ZH0024			
9*	ZH0230	END CAP, REAR, STANS, 3.30R/3.30RTi, QR, NON DRIVE	1				



Staris NOTUBES®

DWG. NO.

ZH0072

DESCRIPTION:

HUB, REAR, STANS, 3.30R, RIM, 28H, 10X130, QR, BLACK, SHIMANO, 10SP (Replaced by ZH0141)

5

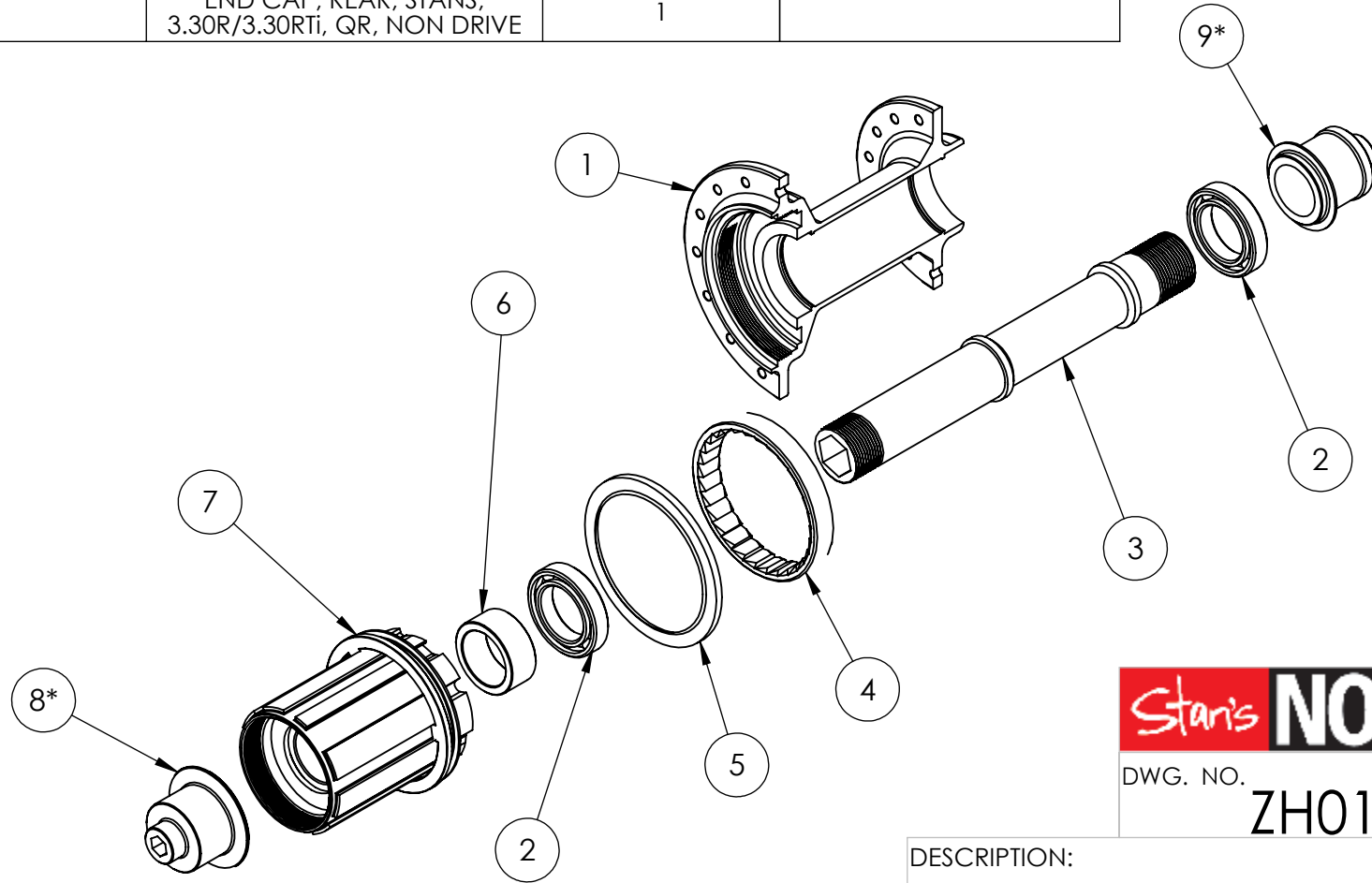
4

3

2

1

ITEM NO.	PART NUMBER	DESCRIPTION	SECTION/QTY.		
				LEFT	RIGHT
1	ZH0288	HUB SHELL, REAR, STANS, 3.30R, 28H, BLK	1	FLANGE Ø	58.0 MM
2	ZH0096	BEARING, 6802, STAINLESS, 15x24x5, 3.30	2	CTR TO FLANGE	34.5 MM
3	ZH0110	AXLE, REAR, STANS, 3.30 R/RTi	1		20.0 MM
4	ZH0028	RATCHET RING, FREEHUB, STAN'S, 3.30, 30 TOOTH	1		
5	ZH0099	SEAL, FREEHUB, 3.30R/3.30RTi, RUBBER	1		
6	ZH0048	SPACER, FREEHUB, 8.55MM	1		
7	ZH0137	FREEHUB, STANS, 3.30R, SHIMANO, RED	1		
8*	ZH0229	END CAP, REAR, STANS, 3.30R/3.30RTi, QR, DRIVE	1	*PAIRED KIT # ZH0024	
9*	ZH0230	END CAP, REAR, STANS, 3.30R/3.30RTi, QR, NON DRIVE	1		



Staris NOTUBES®

DWG. NO.

ZH0141

DESCRIPTION:

HUB, REAR, STANS, 3.30R, RIM, 28H, 10X130, QR, BLACK, SHIMANO, 11SP

5

4

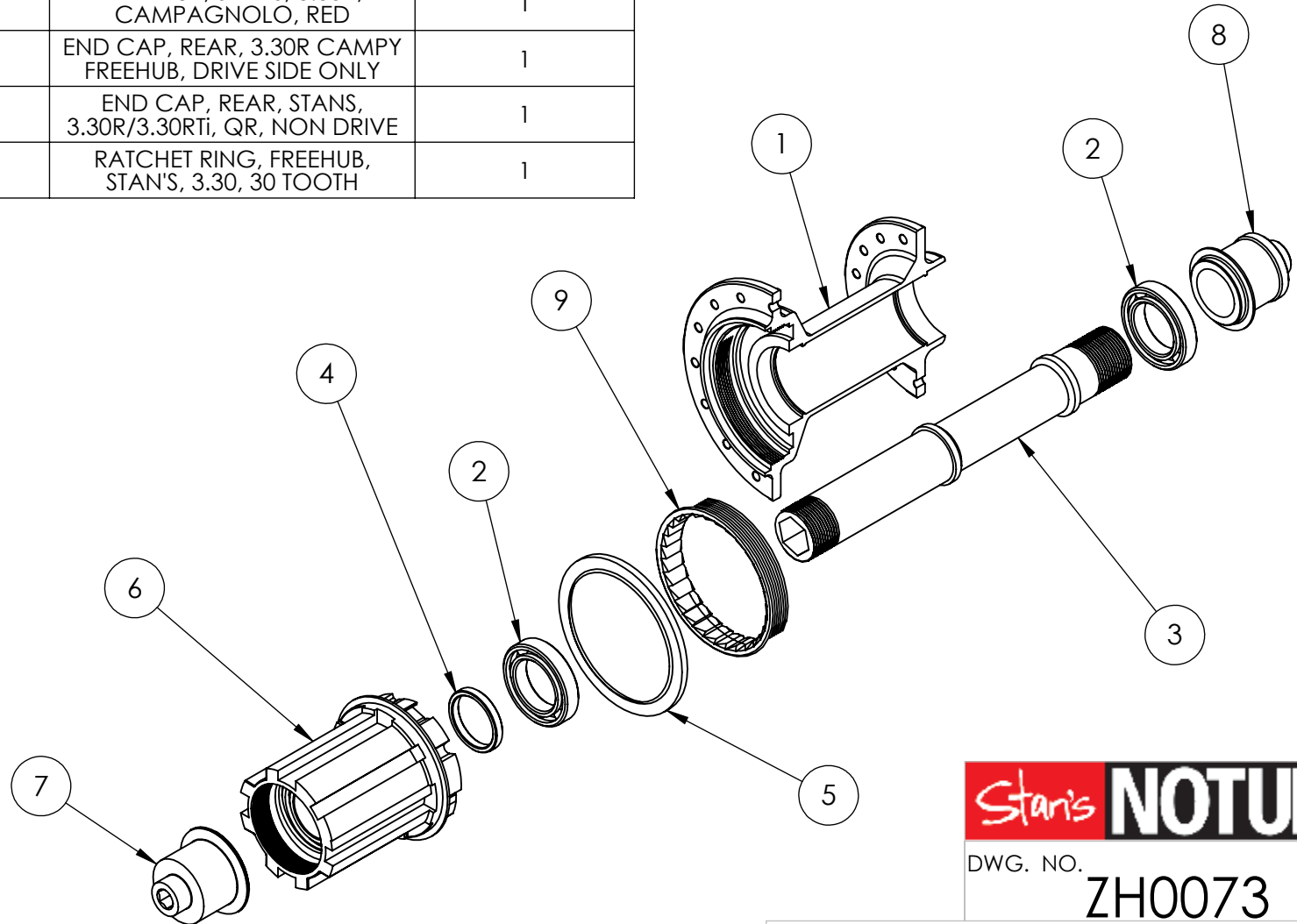
3

2

1

ITEM NO.	PART NUMBER	DESCRIPTION	SECTION/QTY.
1	ZH0288	HUB SHELL, REAR, STANS, 3.30R, 28H, BLK	1
2	ZH0096	BEARING, 6802, STAINLESS, 15x24x5, 3.30	2
3	ZH0110	AXLE, REAR, STANS, 3.30 R/RTi	1
4	ZH0140	SPACER, FREEHUB, 3.30R CAMPY, 2.54MM	1
5	ZH0099	SEAL, FREEHUB, 3.30R/3.30RTi, RUBBER	1
6	ZH0022	FREE HUB, STANS, 3.30R, CAMPAGNOLO, RED	1
7	ZH0108	END CAP, REAR, 3.30R CAMPY FREEHUB, DRIVE SIDE ONLY	1
8	ZH0230	END CAP, REAR, STANS, 3.30R/3.30RTi, QR, NON DRIVE	1
9	ZH0028	RATCHET RING, FREEHUB, STAN'S, 3.30, 30 TOOTH	1

	LEFT	RIGHT
FLANGE ϕ	58.0 MM	58.0 MM
CNTR TO FLANGE	34.5 MM	20.0 MM



Staris NOTUBES[®]

DWG. NO.

ZH0073

DESCRIPTION:

HUB, REAR, STANS, 3.30R, RIM, 28H, 10X130, QR, BLACK, CAMPY

5

4

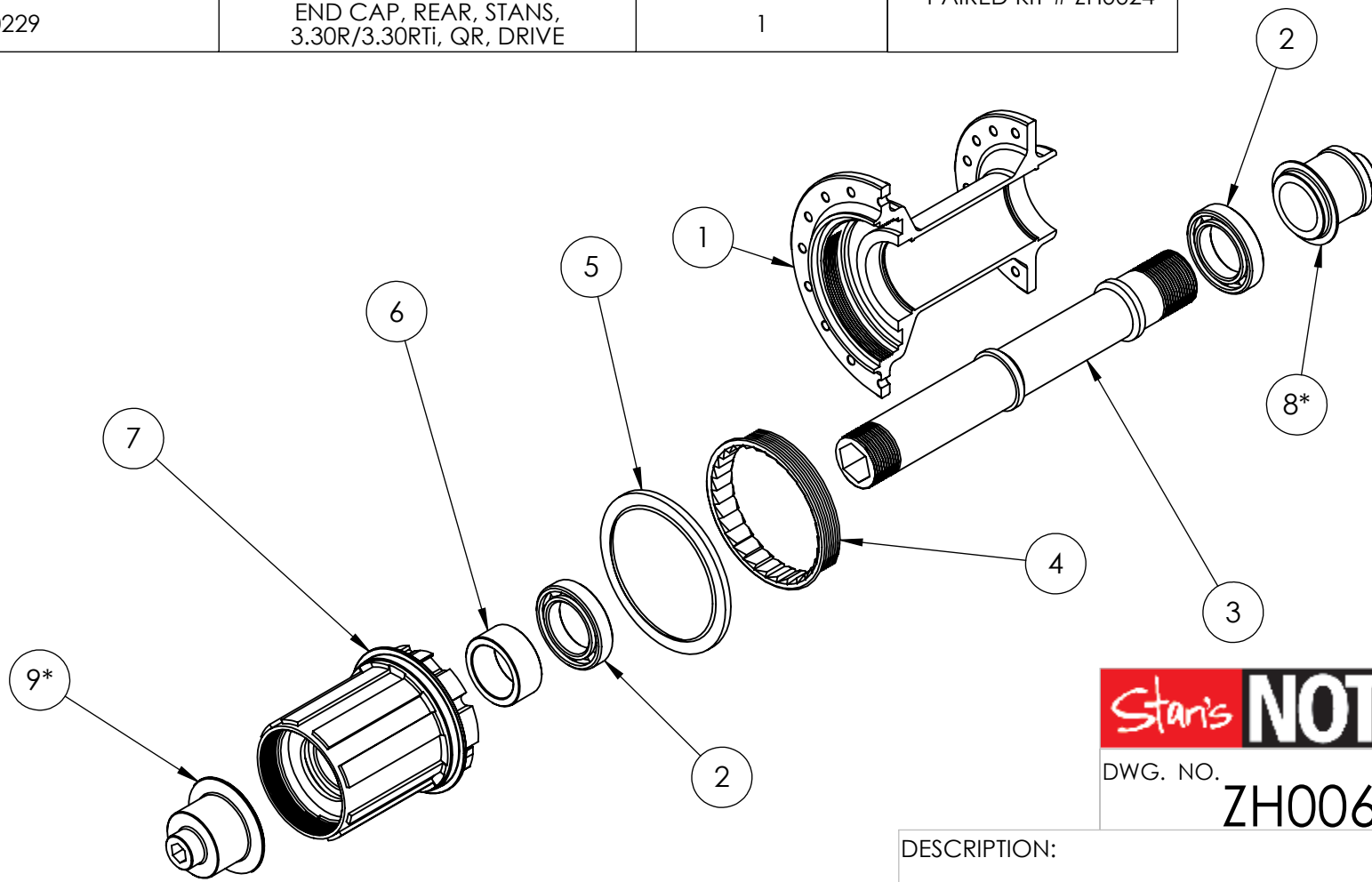
3

2

1

ITEM NO.	PART NUMBER	DESCRIPTION	SECTION/QTY.		LEFT	RIGHT
1	ZH0289	HUB SHELL, REAR, STANS, 32H, BLK	1			
2	ZH0096	BEARING, 6802, STAINLESS, 15x24x5, 3.30	2			
3	ZH0110	AXLE, REAR, STANS, 3.30 R/RTi	1			
4	ZH0028	RATCHET RING, FREEHUB, STAN'S, 3.30, 30 TOOTH	1			
5	ZH0099	SEAL, FREEHUB, 3.30R/3.30RTi, RUBBER	1			
6	ZH0048	SPACER, FREEHUB, 8.55MM	1			
7	ZH0042	FREEHUB, STANS, 3.30R, SHIMANO, RED	1			
8*	ZH0230	END CAP, REAR, STANS, 3.30R/3.30RTi, QR, NON DRIVE	1	* PAIRED KIT # ZH0024		
9*	ZH0229	END CAP, REAR, STANS, 3.30R/3.30RTi, QR, DRIVE	1			

	LEFT	RIGHT
FLANGE Ø	58.0 MM	58.0 MM
CTR TO FLANGE	34.5 MM	20.0 MM



Staris NOTUBES®

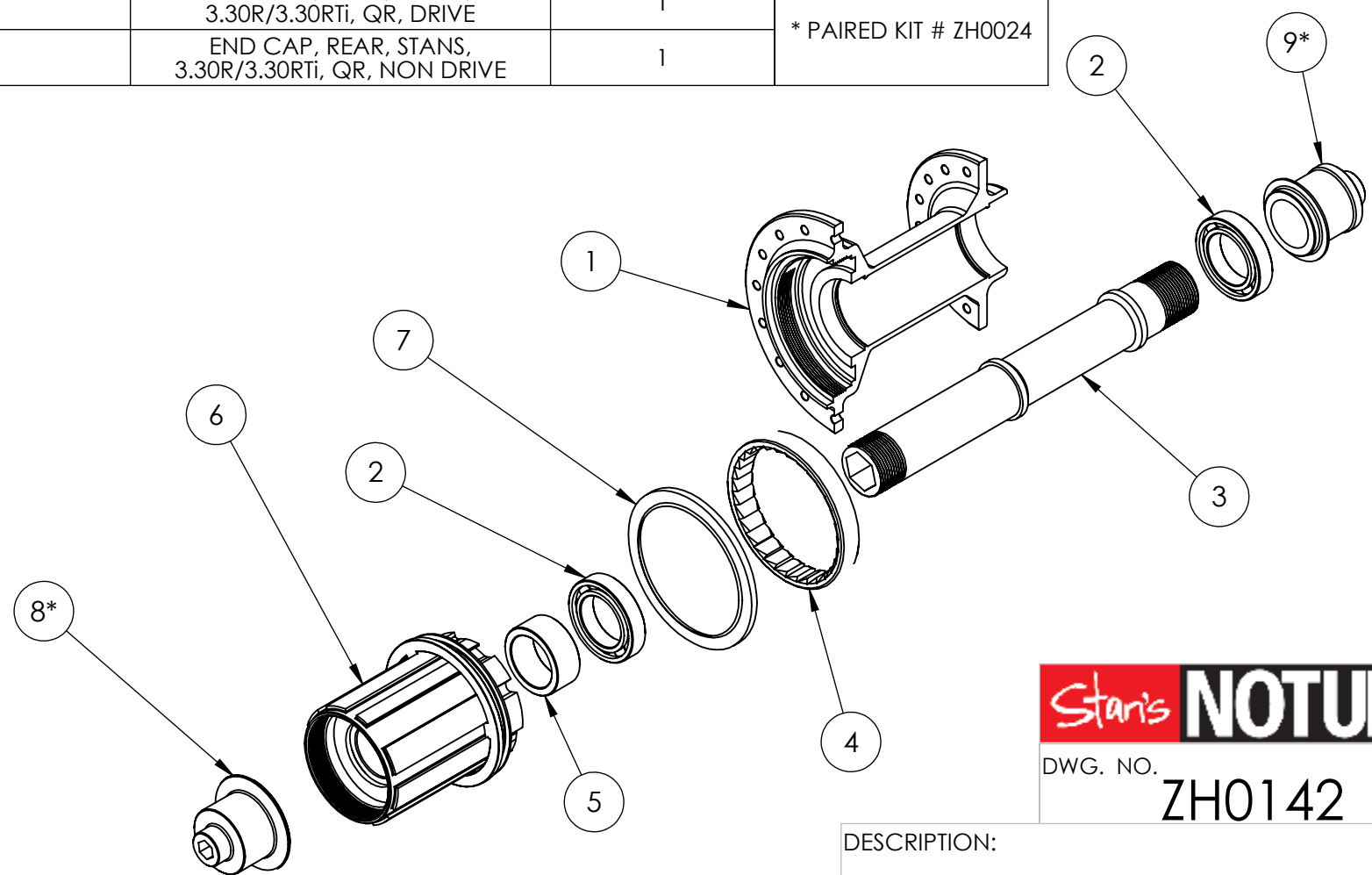
DWG. NO. **ZH0069**

DESCRIPTION:
HUB, REAR, STANS, 3.30R, RIM, 32H, 10X130, QR, BLACK, SHIMANO, 10SP

BOM Table			
ITEM NO.	PART NUMBER	DESCRIPTION	SECTION/QTY.
1	ZH0289	HUB SHELL, REAR, STANS, 32H, BLK	1
2	ZH0011	BEARING, 6802, 24x15x5, CHROME	2
3	ZH0110	AXLE, REAR, STANS, 3.30 R/RTi	1
4	ZH0028	RATCHET RING, FREEHUB, STAN'S, 3.30, 30 TOOTH	1
5	ZH0048	SPACER, FREEHUB, 8.55MM	1
6	ZH0137	FREEHUB, STANS, 3.30R, SHIMANO, RED	1
7	ZH0099	SEAL, FREEHUB, 3.30R/3.30RTI, RUBBER	1
8*	ZH0229	END CAP, REAR, STANS, 3.30R/3.30RTi, QR, DRIVE	1
9*	ZH0230	END CAP, REAR, STANS, 3.30R/3.30RTi, QR, NON DRIVE	1

	LEFT	RIGHT
FLANGE Ø	58.0 MM	58.0 MM
CTR TO FLANGE	34.5 MM	20.0 MM

* PAIRED KIT # ZH0024

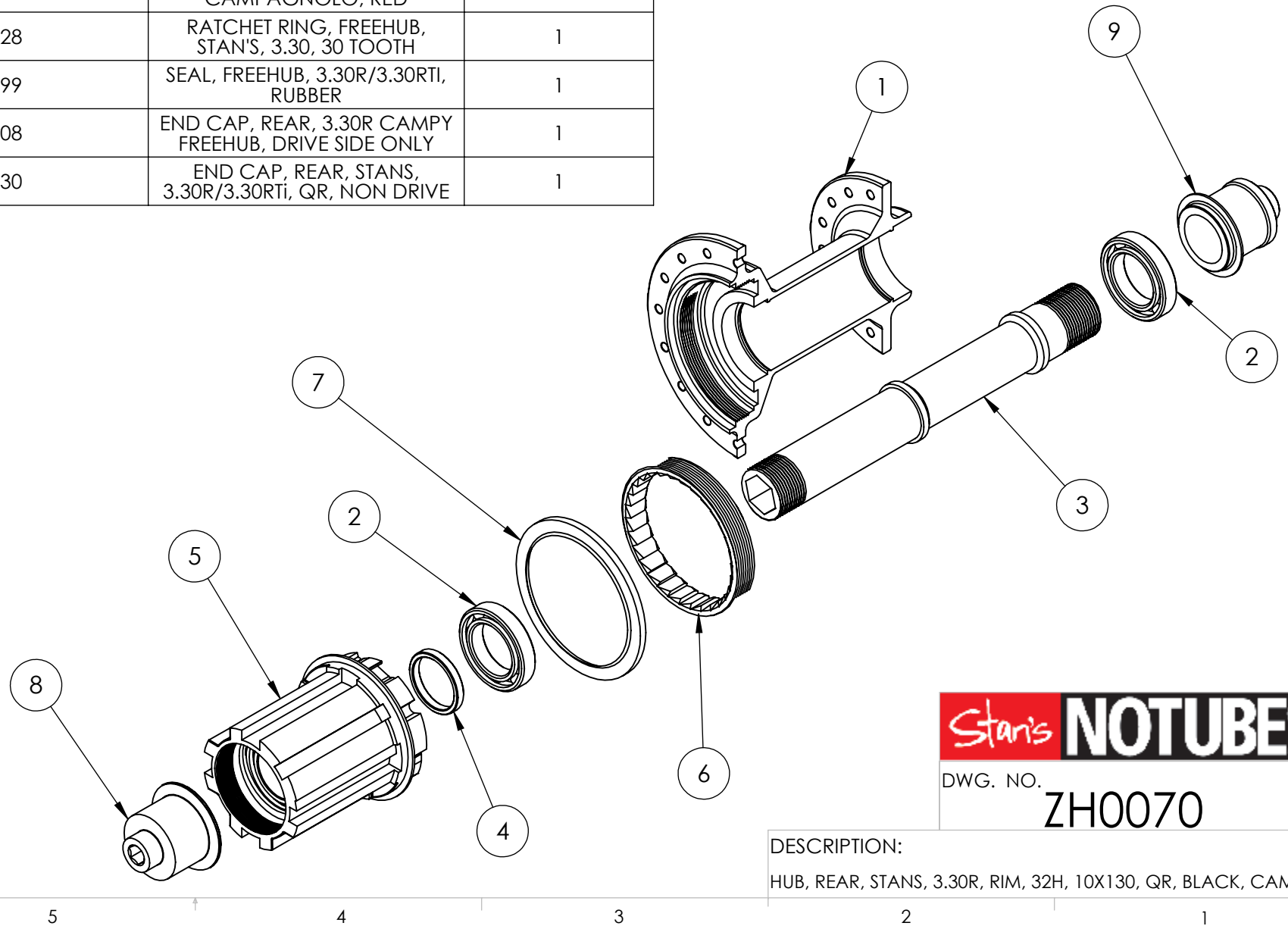


DWG. NO. ZH0142

DESCRIPTION:
HUB, REAR, STANS, 3.30R, RIM, 32H, 10X130, QR, BLACK, SHIMANO, 11SP

ITEM NO.	PART NUMBER	DESCRIPTION	SECTION/QTY.
1	ZH0289	HUB SHELL, REAR, STANS, 32H, BLK	1
2	ZH0096	BEARING, 6802, STAINLESS, 15x24x5, 3.30	2
3	ZH0110	AXLE, REAR, STANS, 3.30 R/RTi	1
4	ZH0140	SPACER, FREEHUB, 3.30R CAMPY, 2.54MM	1
5	ZH0022	FREE HUB, STANS, 3.30R, CAMPAGNOLO, RED	1
6	ZH0028	RATCHET RING, FREEHUB, STAN'S, 3.30, 30 TOOTH	1
7	ZH0099	SEAL, FREEHUB, 3.30R/3.30RTI, RUBBER	1
8	ZH0108	END CAP, REAR, 3.30R CAMPY FREEHUB, DRIVE SIDE ONLY	1
9	ZH0230	END CAP, REAR, STANS, 3.30R/3.30RTi, QR, NON DRIVE	1

	LEFT	RIGHT
FLANGE Ø	58.0 MM	58.0 MM
CTR TO FLANGE	34.5 MM	20.0 MM



Staris NOTUBES®

DWG. NO.

ZH0070

DESCRIPTION:

HUB, REAR, STANS, 3.30R, RIM, 32H, 10X130, QR, BLACK, CAMPY

5

4

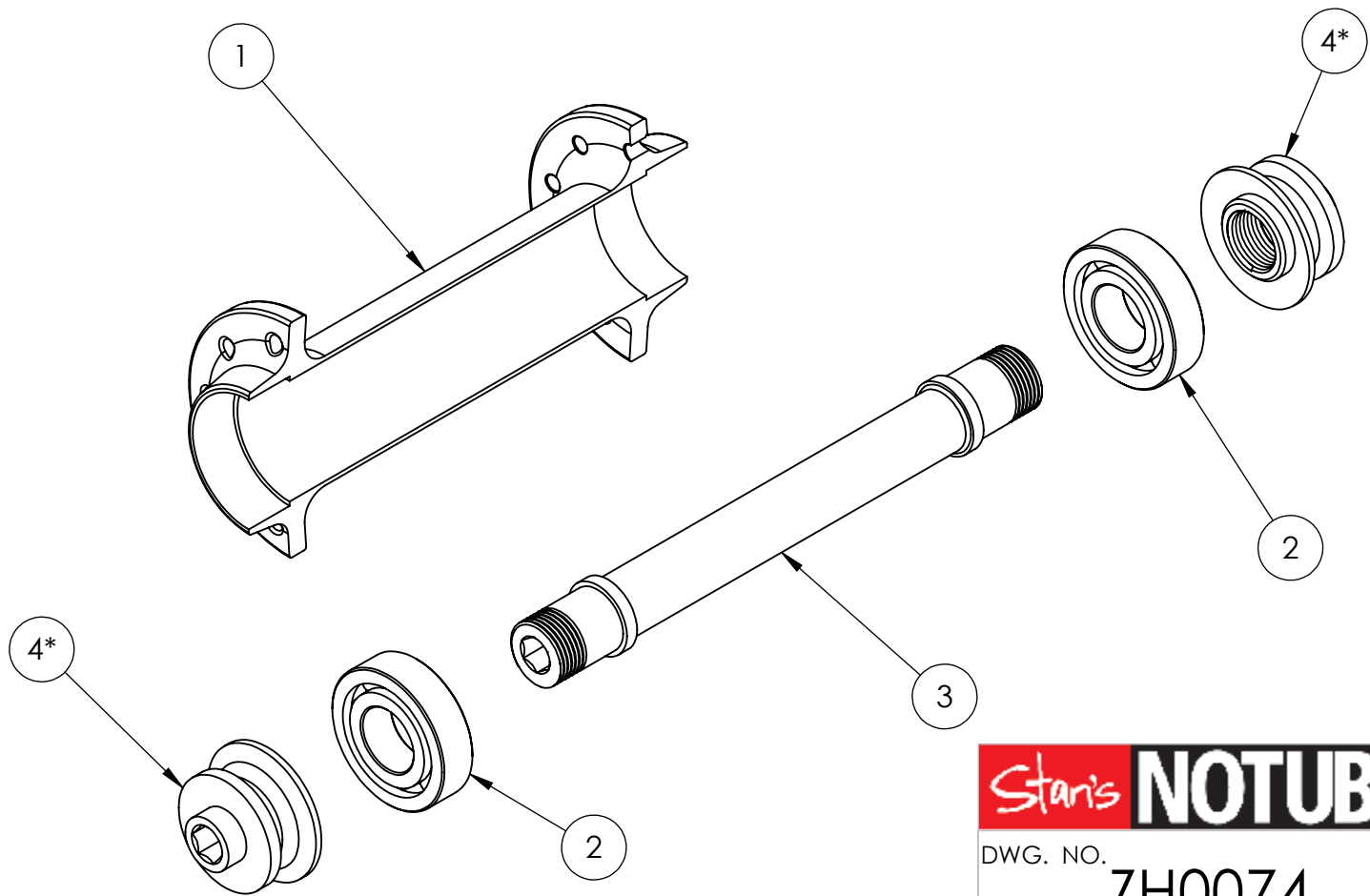
3

2

1

ITEM NO.	PART NUMBER	DESCRIPTION	SECTION/QTY.	
1	ZH0268	HUB SHELL, FRONT, STANS, 3.30R, 18H, BLK	1	
2	ZH0305	BEARING, 6900, STAINLESS, 10x21x6, 3.30R	2	
3	ZH0171	AXLE, FRONT, STANS, 3.30, R/RTi	1	
4*	ZH0303	END CAP, FRONT, STANS, 3.30 R/RTi	2	* PAIRED KIT # ZH0172

	LEFT	RIGHT
FLANGE ϕ	31.0 MM	31.0 MM
CTR TO FLANGE	33.4 MM	33.4 MM



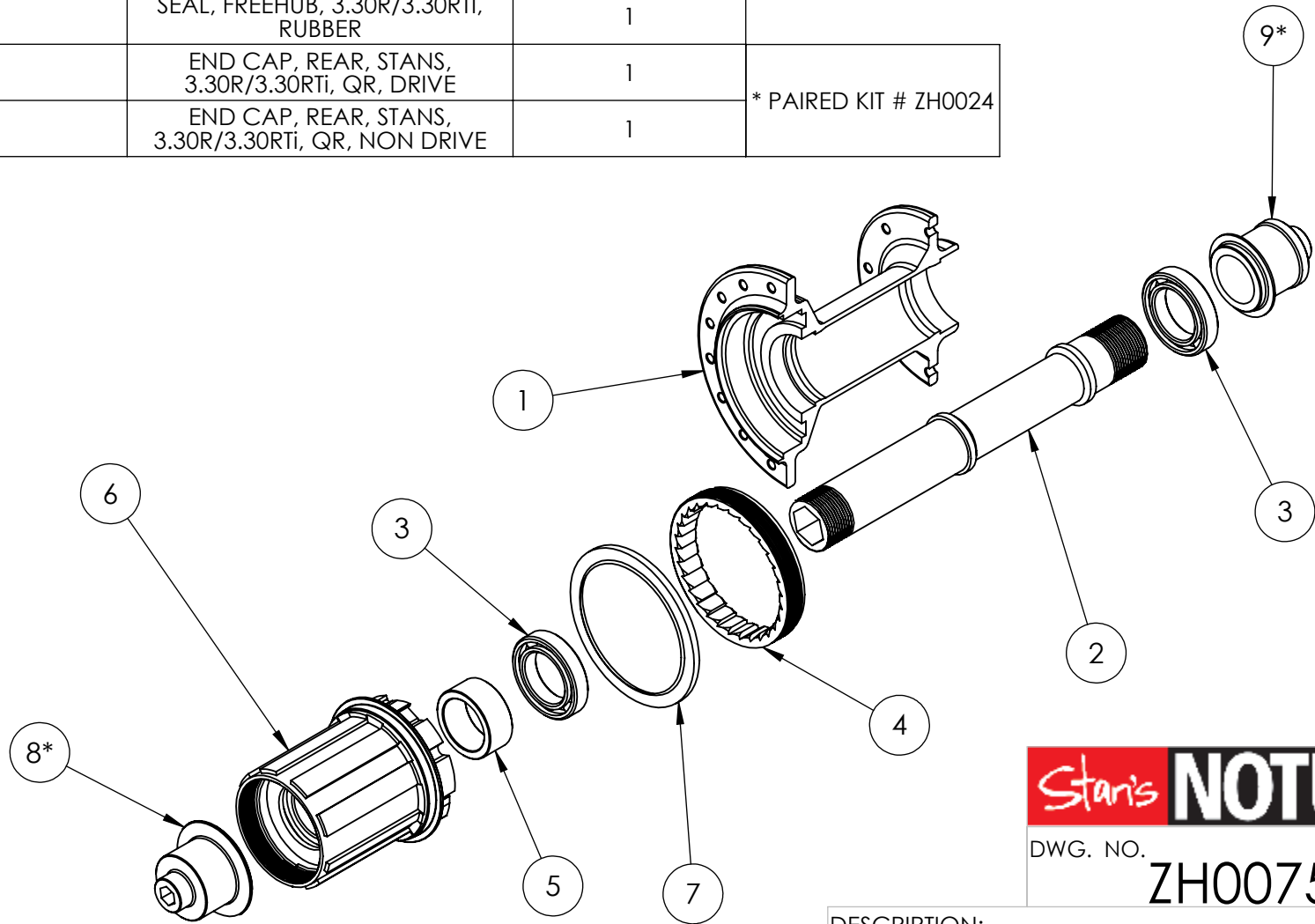
Staris NOTUBES®

DWG. NO. **ZH0074**

DESCRIPTION:
HUB, FRONT, STANS, 3.30RTI, RIM, 18H, 9MM, QR, BLACK

ITEM NO.	PART NUMBER	DESCRIPTION	SECTION/QTY.		
				LEFT	RIGHT
1	ZH0287	HUB SHELL, REAR, STANS, 3.30RTi, 24H, BLK	1		
2	ZH0110	AXLE, REAR, STANS, 3.30 R/RTi	1		
3	ZH0096	BEARING, 6802, STAINLESS, 15x24x5, 3.30	2		
4	ZH0100	RATCHET RING TI, FREEHUB, STANS, 30 TOOTH	1		
5	ZH0048	SPACER, FREEHUB, 8.55MM	1		
6	ZH0042	FREEHUB, STANS, 3.30R, SHIMANO, RED	1		
7	ZH0099	SEAL, FREEHUB, 3.30R/3.30RTi, RUBBER	1		
8*	ZH0229	END CAP, REAR, STANS, 3.30R/3.30RTi, QR, DRIVE	1	* PAIRED KIT # ZH0024	
9*	ZH0230	END CAP, REAR, STANS, 3.30R/3.30RTi, QR, NON DRIVE	1		

	LEFT	RIGHT
FLANGE Ø	45.0 MM	56.0MM
CTR TO FLANGE	37.2 MM	16.7 MM

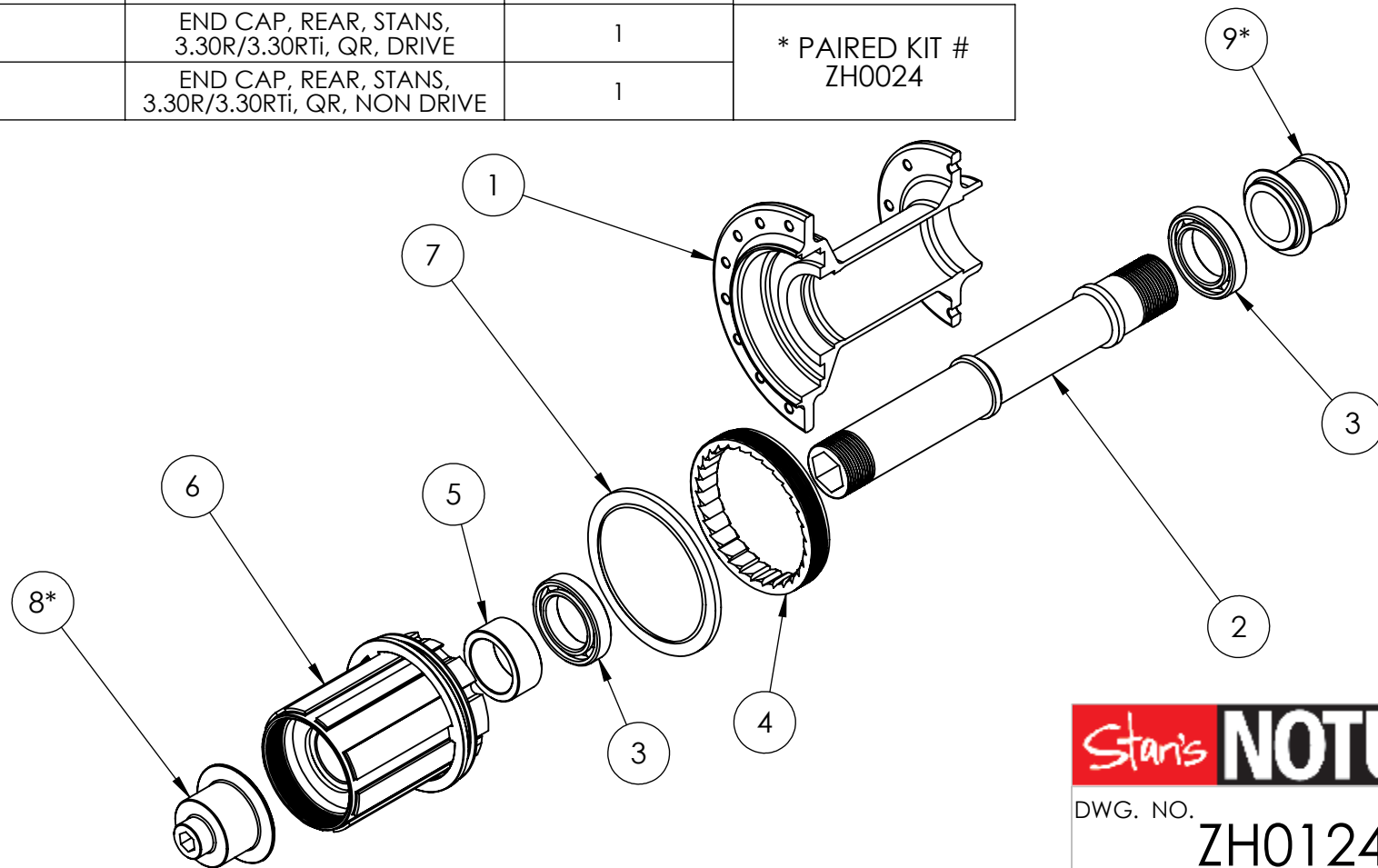


Staris NOTUBES®

DWG. NO. ZH0075

DESCRIPTION:
HUB, REAR, STANS, 3.30RTi, RIM, 24H, 10X130, QR, BLACK, SHIMANO, 10SP

ITEM NO.	PART NUMBER	DESCRIPTION	SECTION/QTY.		
				LEFT	RIGHT
1	ZH0287	HUB SHELL, REAR, STANS, 3.30RTi, 24H, BLK	1	FLANGE Ø	45.0 MM
2	ZH0110	AXLE, REAR, STANS, 3.30 R/RTi	1	CTR TO FLANGE	37.2 MM
3	ZH0096	BEARING, 6802, STAINLESS, 15x24x5, 3.30	2		56.0 MM
4	ZH0100	RATCHET RING TI, FREEHUB, STANS, 30 TOOTH	1		16.7 MM
5	ZH0048	SPACER, FREEHUB, 8.55MM	1		
6	ZH0137	FREEHUB, STANS, 3.30R, SHIMANO, RED	1		
7	ZH0099	SEAL, FREEHUB, 3.30R/3.30RTi, RUBBER	1		
8*	ZH0229	END CAP, REAR, STANS, 3.30R/3.30RTi, QR, DRIVE	1	* PAIRED KIT # ZH0024	
9*	ZH0230	END CAP, REAR, STANS, 3.30R/3.30RTi, QR, NON DRIVE	1		



Staris NOTUBES®

DWG. NO.

ZH0124

DESCRIPTION:

HUB, REAR, STANS, 3.30RTI, RIM, 24H, 10X130, QR, BLACK, SHIMANO, 11SP

5

4

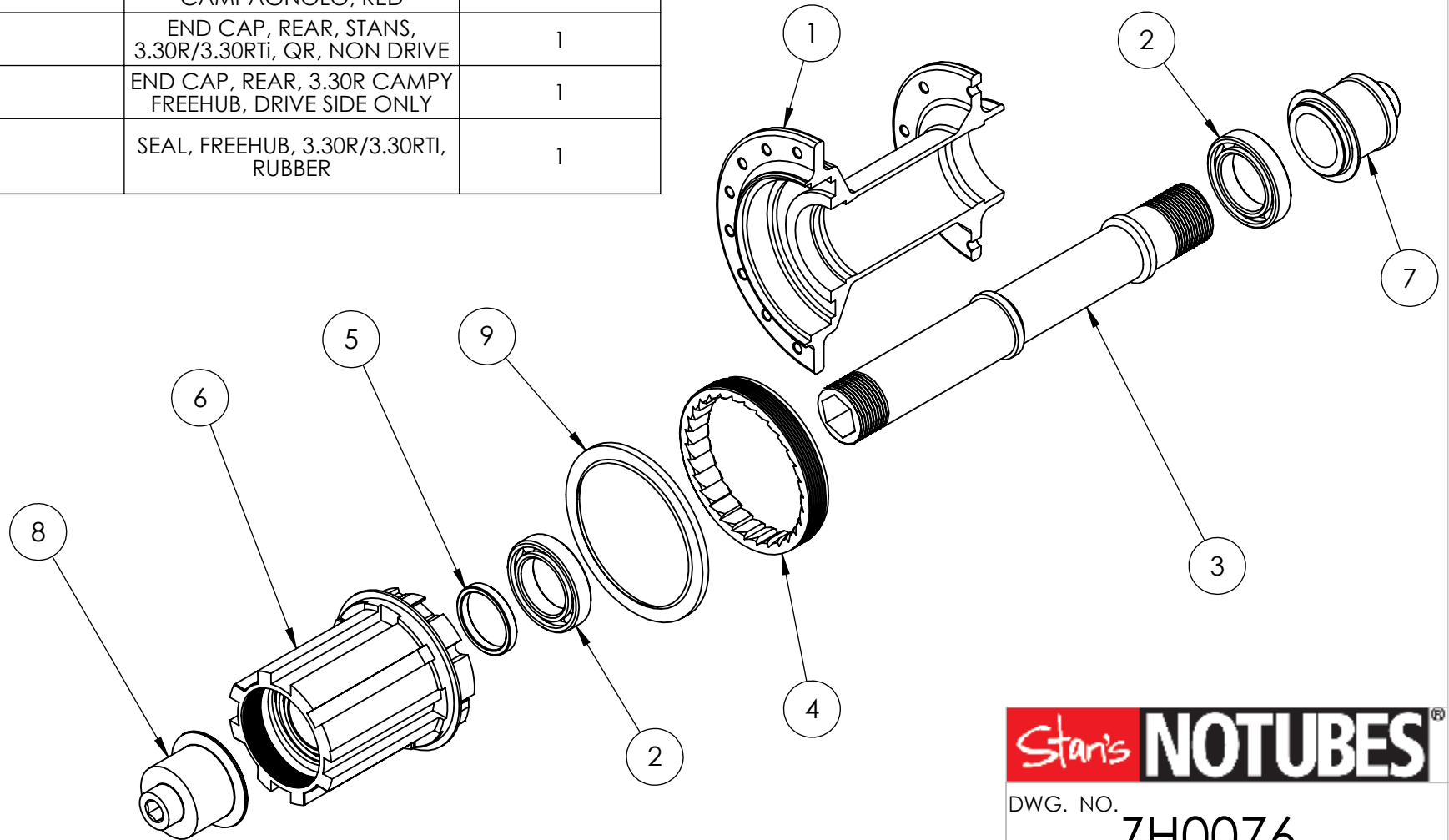
3

2

1

ITEM NO.	PART NUMBER	DESCRIPTION	SECTION/QTY.
1	ZH0287	HUB SHELL, REAR, STANS, 3.30RTi, 24H, BLK	1
2	ZH0096	BEARING, 6802, STAINLESS, 15x24x5, 3.30	2
3	ZH0110	AXLE, REAR, STANS, 3.30 R/RTi	1
4	ZH0100	RATCHET RING TI, FREEHUB, STANS, 30 TOOTH	1
5	ZH0140	SPACER, FREEHUB, 3.30R CAMPY, 2.54MM	1
6	ZH0022	FREE HUB, STANS, 3.30R, CAMPAGNOLO, RED	1
7	ZH0230	END CAP, REAR, STANS, 3.30R/3.30RTi, QR, NON DRIVE	1
8	ZH0108	END CAP, REAR, 3.30R CAMPY FREEHUB, DRIVE SIDE ONLY	1
9	ZH0099	SEAL, FREEHUB, 3.30R/3.30RTI, RUBBER	1

	LEFT	RIGHT
FLANGE Ø	45.0 MM	56.0 MM
CTR TO FLANGE	37.2 MM	16.7 MM



Staris NOTUBES®

DWG. NO.

ZH0076

DESCRIPTION:

HUB, REAR, STANS, 3.30RTI, RIM, 24H, 10X130, QR, BLACK, CAMPY

5

4

3

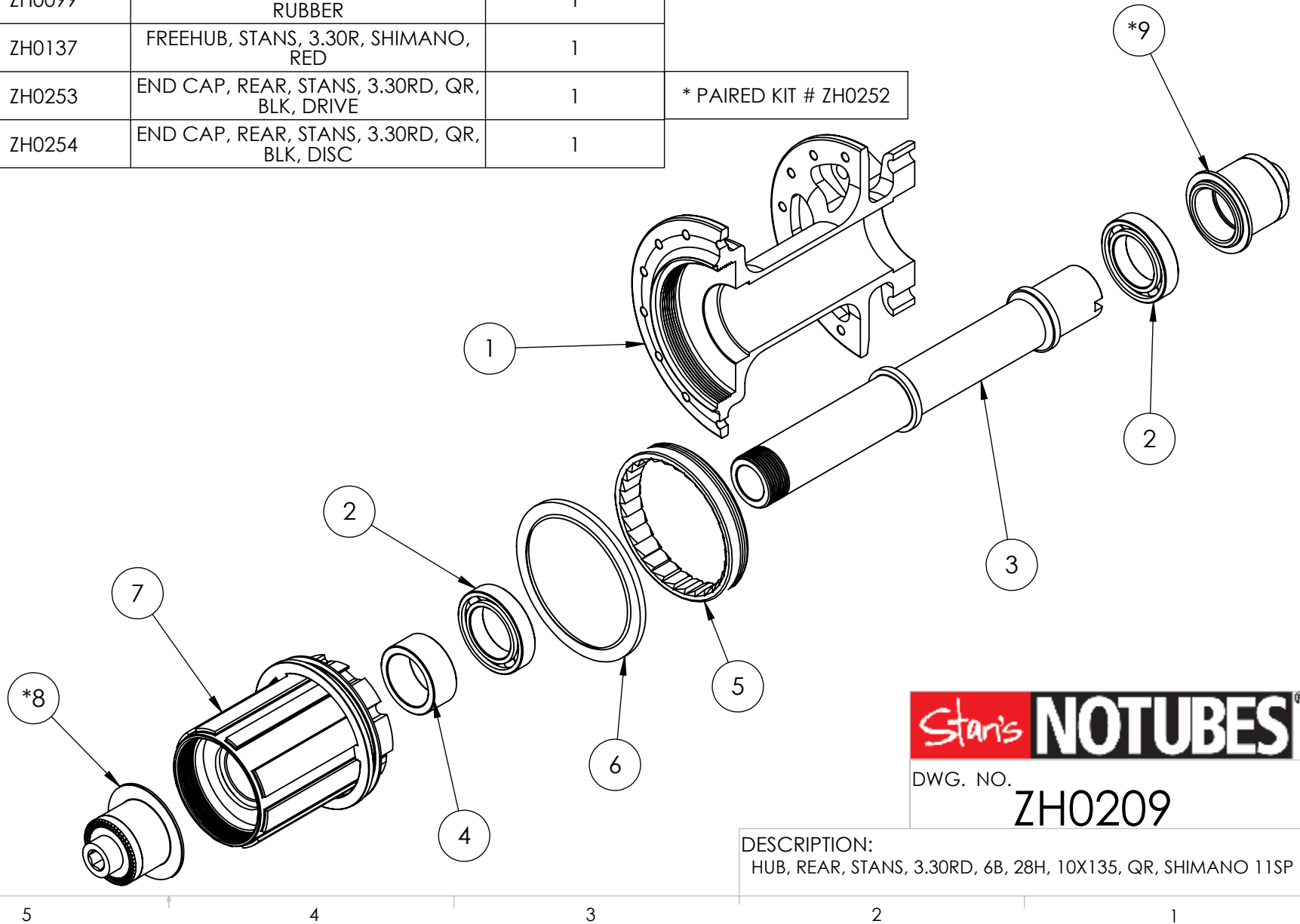
2

1

ITEM NO.	PART NUMBER	DESCRIPTION	SECTION/QTY.
1	ZH0283	HUB SHELL, REAR, STANS, 3.30RD, 28H, BLK	1
2	ZH0011	BEARING, 6802, 24x15x5, CHROME	2
3	ZH0299	AXLE, REAR, STANS, 3.30RD	1
4	ZH0048	SPACER, FREEHUB, 8.55MM	1
5	ZH0028	RATCHET RING, FREEHUB, STAN'S, 3.30, 30 TOOTH	1
6	ZH0099	SEAL, FREEHUB, 3.30R/3.30RTI, RUBBER	1
7	ZH0137	FREEHUB, STANS, 3.30R, SHIMANO, RED	1
*8	ZH0253	END CAP, REAR, STANS, 3.30RD, QR, BLK, DRIVE	1
*9	ZH0254	END CAP, REAR, STANS, 3.30RD, QR, BLK, DISC	1

	LEFT	RIGHT
FLANGE Ø	58.0 MM	58.0 MM
CTR TO FLANGE	33.6 MM	18.8 MM

* PAIRED KIT # ZH0252



Staris NOTUBES®

DWG. NO.

ZH0209

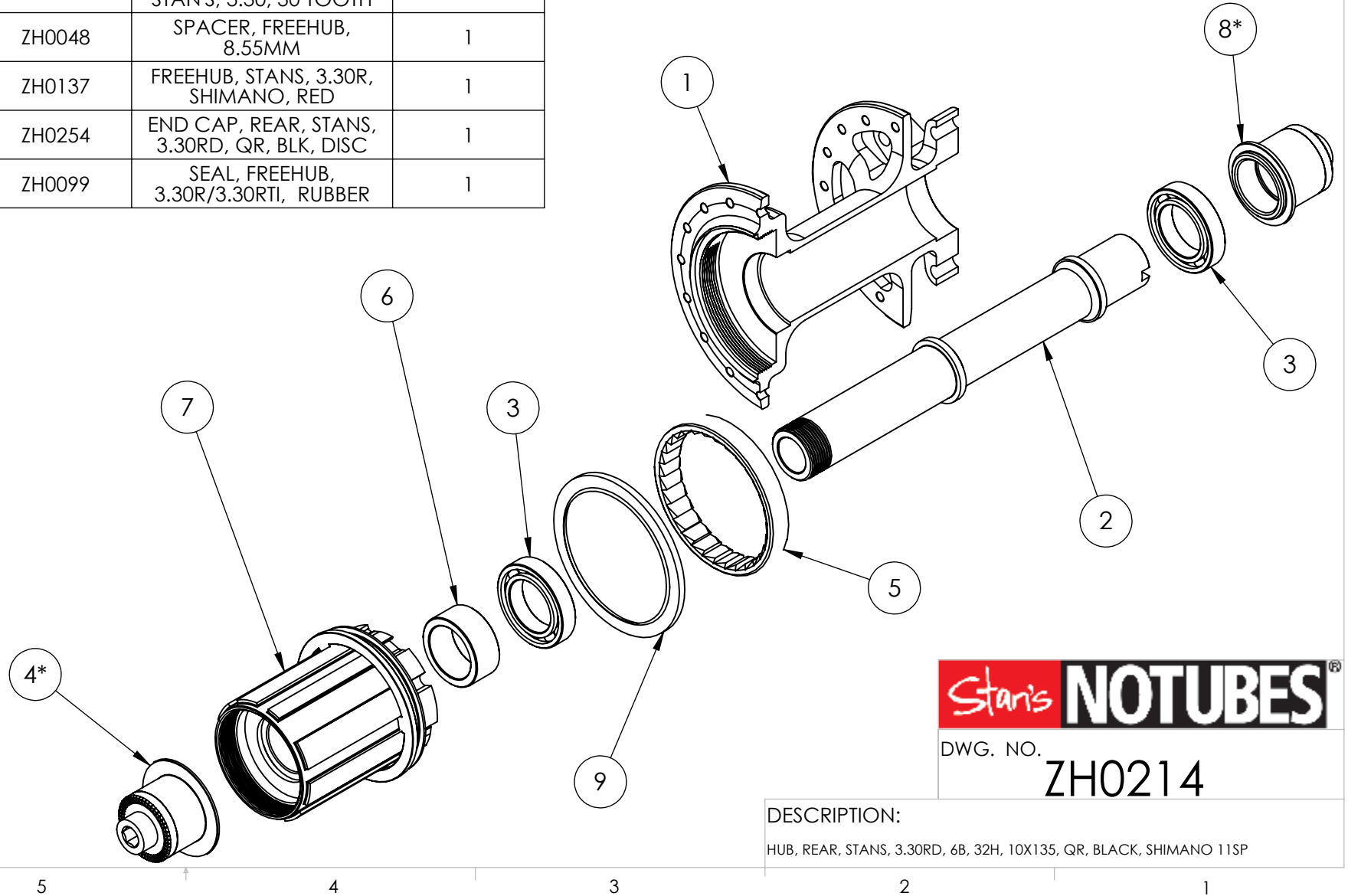
DESCRIPTION:

HUB, REAR, STANS, 3.30RD, 6B, 28H, 10X135, QR, SHIMANO 11SP

ITEM NO.	PART NUMBER	DESCRIPTION	SECTION/QTY.
1	ZH0284	HUB SHELL, REAR, STANS, 3.30RD, 32H, BLK	1
2	ZH0299	AXLE, REAR, STANS, 3.30RD	1
3	ZH0011	BEARING, 6802, 24x15x5, CHROME	2
4*	ZH0253	END CAP, REAR, STANS, 3.30RD, QR, BLK, DRIVE	1
5	ZH0028	RATCHET RING, FREEHUB, STAN'S, 3.30, 30 TOOTH	1
6	ZH0048	SPACER, FREEHUB, 8.55MM	1
7	ZH0137	FREEHUB, STANS, 3.30R, SHIMANO, RED	1
8*	ZH0254	END CAP, REAR, STANS, 3.30RD, QR, BLK, DISC	1
9	ZH0099	SEAL, FREEHUB, 3.30R/3.30RTI, RUBBER	1

	LEFT	RIGHT
FLANGE Ø	58.0 MM	58.0 MM
CTR TO FLANGE	33.6 MM	18.8 MM

*PAIRED KIT # ZH0252



Staris NOTUBES®

DWG. NO.

ZH0214

DESCRIPTION:

HUB, REAR, STANS, 3.30RD, 6B, 32H, 10X135, QR, BLACK, SHIMANO 11SP

5

4

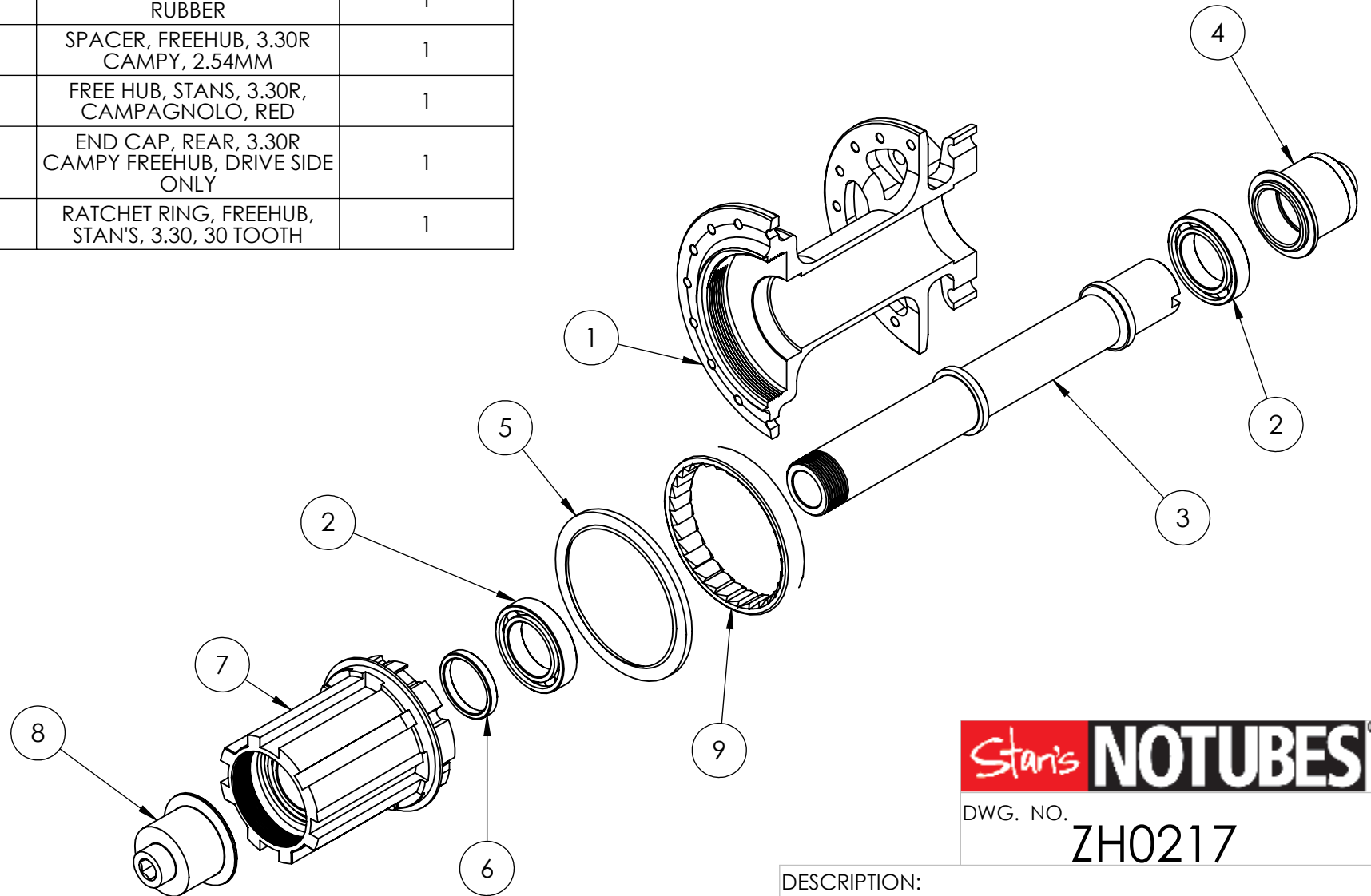
3

2

1

ITEM NO.	PART NUMBER	DESCRIPTION	SECTION/QTY.
1	ZH0284	HUB SHELL, REAR, STANS, 3.30RD, 32H, BLK	1
2	ZH0011	BEARING, 6802, 24x15x5, CHROME	2
3	ZH0299	AXLE, REAR, STANS, 3.30RD	1
4	ZH0254	END CAP, REAR, STANS, 3.30RD, QR, BLK, DISC	1
5	ZH0099	SEAL, FREEHUB, 3.30R/3.30RTI, RUBBER	1
6	ZH0140	SPACER, FREEHUB, 3.30R CAMPY, 2.54MM	1
7	ZH0022	FREE HUB, STANS, 3.30R, CAMPAGNOLO, RED	1
8	ZH0108	END CAP, REAR, 3.30R CAMPY FREEHUB, DRIVE SIDE ONLY	1
9	ZH0028	RATCHET RING, FREEHUB, STAN'S, 3.30, 30 TOOTH	1

	LEFT	RIGHT
FLANGE Ø	58.0 MM	58.0 MM
CTR TO FLANGE	33.6 MM	18.8 MM



Staris NOTUBES®

DWG. NO.

ZH0217

DESCRIPTION:

HUB, REAR, STANS, 3.30RD, 6B, 32H, 10X135, QR, BLACK, CAMPY

5

4

3

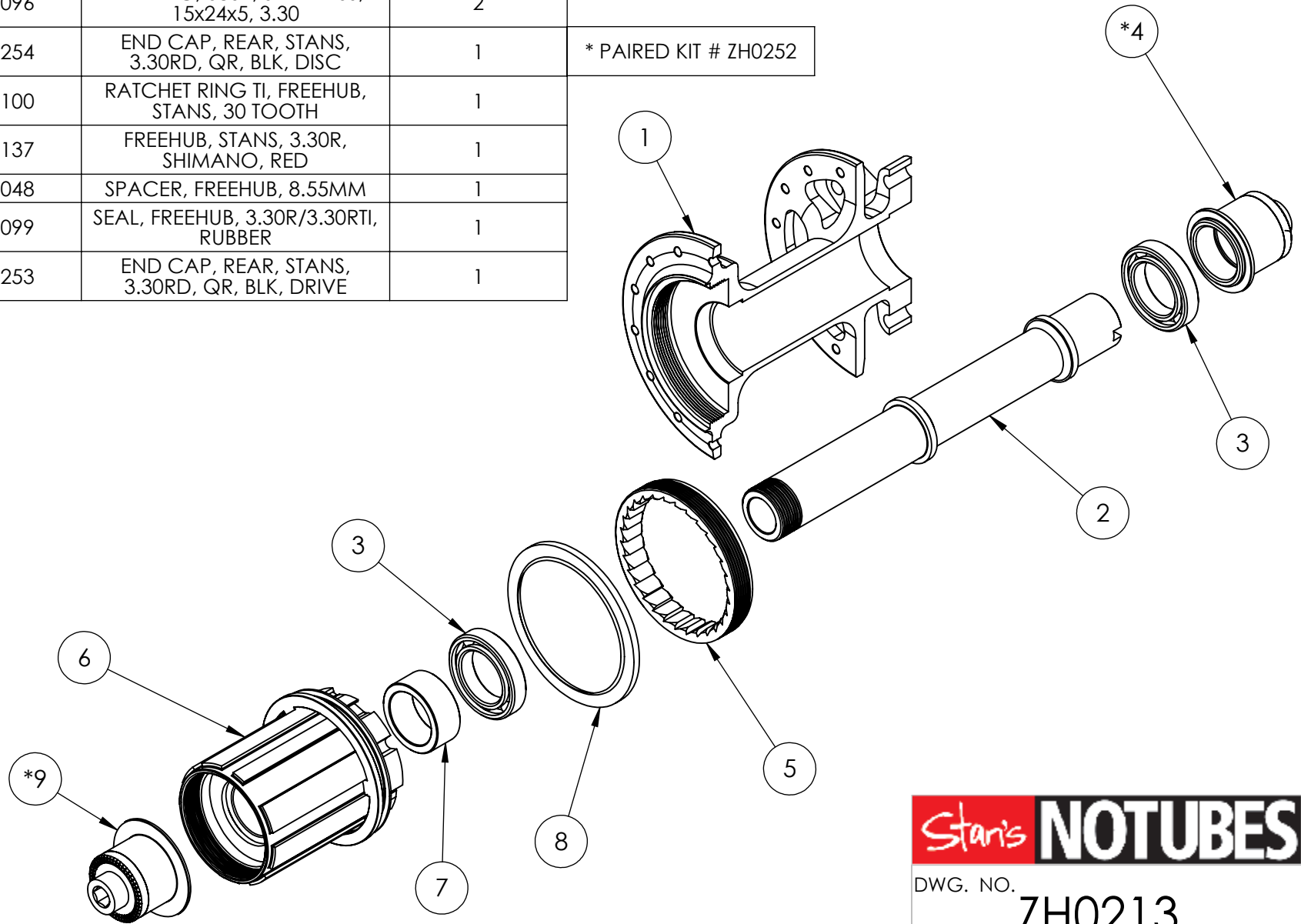
2

1

ITEM NO.	PART NUMBER	DESCRIPTION	SECTION/QTY.
1	ZH0283	HUB SHELL, REAR, STANS, 3.30RD, 28H, BLK	1
2	ZH0299	AXLE, REAR, STANS, 3.30RD	1
3	ZH0096	BEARING, 6802, STAINLESS, 15x24x5, 3.30	2
*4	ZH0254	END CAP, REAR, STANS, 3.30RD, QR, BLK, DISC	1
5	ZH0100	RATCHET RING TI, FREEHUB, STANS, 30 TOOTH	1
6	ZH0137	FREEHUB, STANS, 3.30R, SHIMANO, RED	1
7	ZH0048	SPACER, FREEHUB, 8.55MM	1
8	ZH0099	SEAL, FREEHUB, 3.30R/3.30RTI, RUBBER	1
*9	ZH0253	END CAP, REAR, STANS, 3.30RD, QR, BLK, DRIVE	1

	LEFT	RIGHT
FLANGE ϕ	58.0 MM	58.0 MM
CTR TO FLANGE	33.6 MM	18.8 MM

* PAIRED KIT # ZH0252



Staris NOTUBES[®]

DWG. NO.

ZH0213

DESCRIPTION:

HUB, REAR, STANS, 3.30RD, 6B, 28H, 10X135, QR, BLACK, STAINLESS, SHIMANO 11SP

5

4

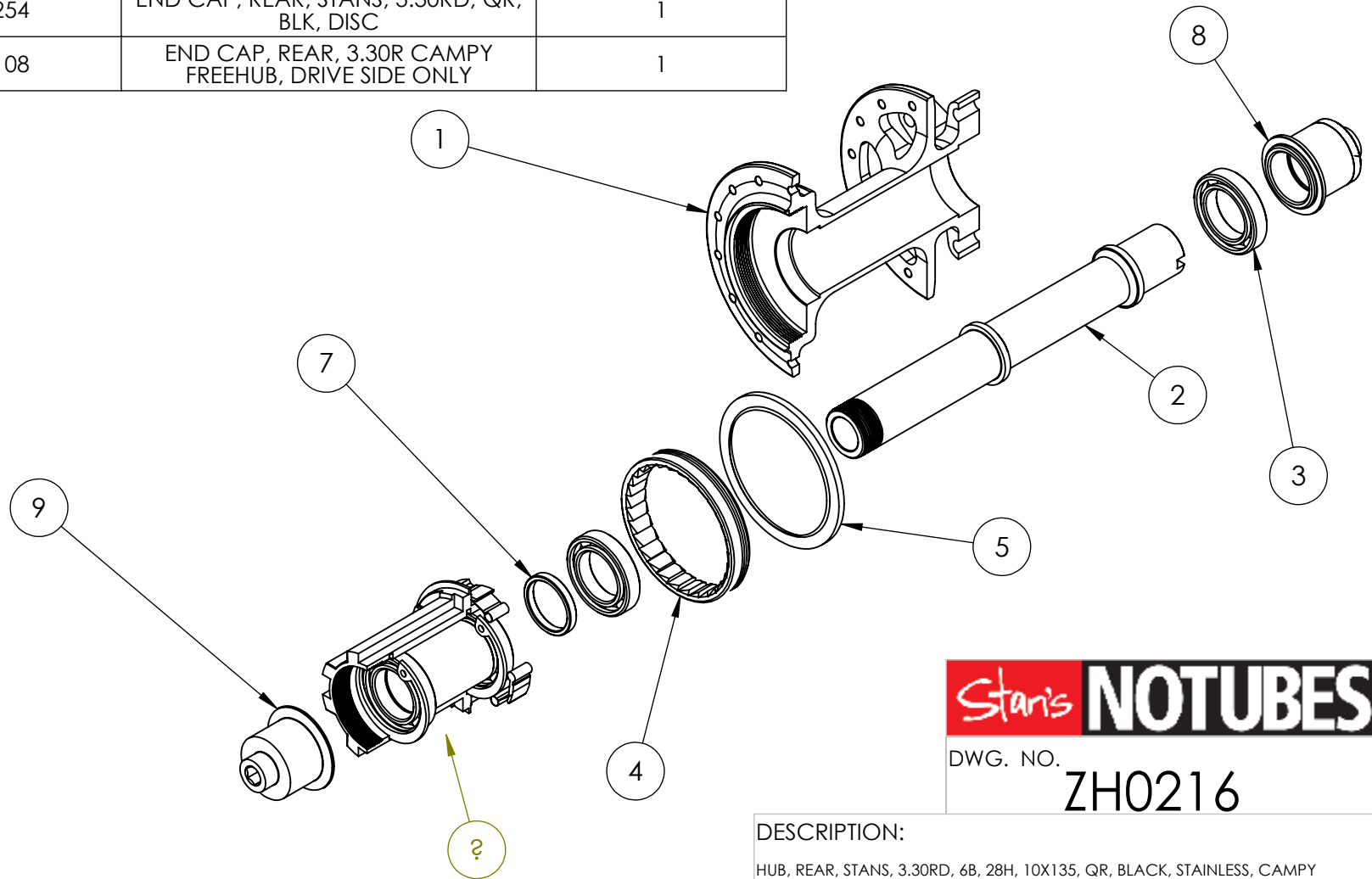
3

2

1

ITEM NO.	PART NUMBER	DESCRIPTION	SECTION/QTY.
1	ZH0283	HUB SHELL, REAR, STANS, 3.30RD, 28H, BLK	1
2	ZH0299	AXLE, REAR, STANS, 3.30RD	1
3	ZH0096	BEARING, 6802, STAINLESS, 15x24x5, 3.30	2
4	ZH0028	RATCHET RING, FREEHUB, STAN'S, 3.30, 30 TOOTH	1
5	ZH0099	SEAL, FREEHUB, 3.30R/3.30RTI, RUBBER	1
6	ZH0302	FREEHUB, STANS, 3.30R, CAMPY, STAINLESS BEARINGS	1
7	ZH0140	SPACER, FREEHUB, 3.30R CAMPY, 2.54MM	1
8	ZH0254	END CAP, REAR, STANS, 3.30RD, QR, BLK, DISC	1
9	ZH0108	END CAP, REAR, 3.30R CAMPY FREEHUB, DRIVE SIDE ONLY	1

	LEFT (DISC)	RIGHT
FLANGE Ø	58.0 MM	58.0MM
CTR TO FLANGE	33.6 MM	18.8 MM



Staris NOTUBES[®]

DWG. NO.

ZH0216

DESCRIPTION:

HUB, REAR, STANS, 3.30RD, 6B, 28H, 10X135, QR, BLACK, STAINLESS, CAMPY

5

4

3

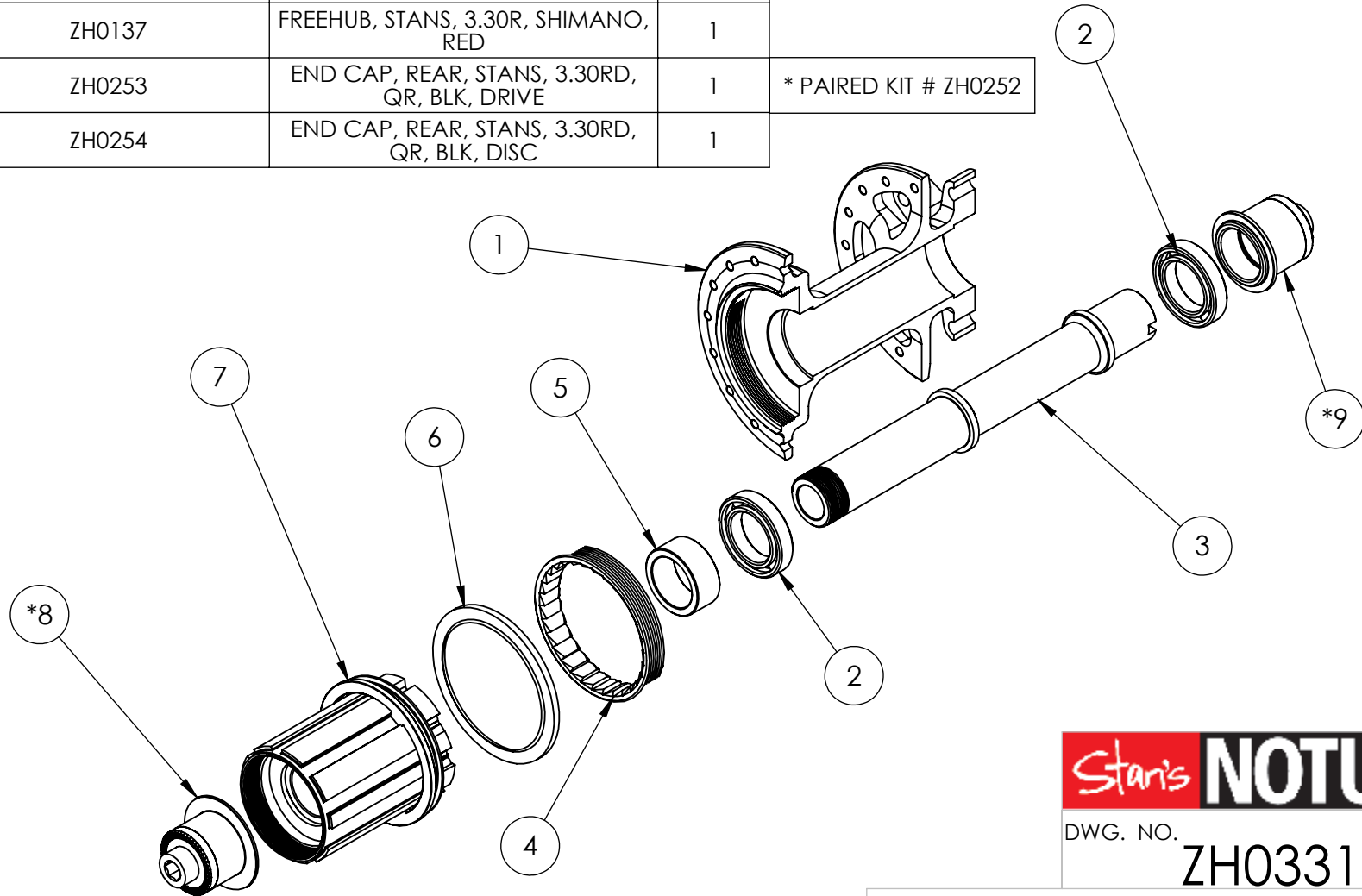
2

1

ITEM NO.	PART NUMBER	DESCRIPTION	QTY.
1	ZH0284	HUB SHELL, REAR, STANS, 3.30RD, 32H, BLK	1
2	ZH0096	BEARING, 6802, STAINLESS, 15x24x5, 3.30	2
3	ZH0299	AXLE, REAR, STANS, 3.30RD	1
4	ZH0028	RATCHET RING, FREEHUB, STAN'S, 3.30, 30 TOOTH	1
5	ZH0048	SPACER, FREEHUB, 8.55MM	1
6	ZH0099	SEAL, FREEHUB, 3.30R/3.30RTI, RUBBER	1
7	ZH0137	FREEHUB, STANS, 3.30R, SHIMANO, RED	1
*8	ZH0253	END CAP, REAR, STANS, 3.30RD, QR, BLK, DRIVE	1
*9	ZH0254	END CAP, REAR, STANS, 3.30RD, QR, BLK, DISC	1

	LEFT (DISC)	RIGHT
FLANGE Ø	56.0 MM	56.0 MM
CTR TO FLANGE	33.6 MM	18.8 MM

* PAIRED KIT # ZH0252



Star's NOTUBES®

DWG. NO.

ZH0331

DESCRIPTION:

HUB, REAR, STANS, 3.30RD, 6B, 32H, 10X135, QR, BLACK, STAINLESS, SHIMANO 11SP

5

4

3

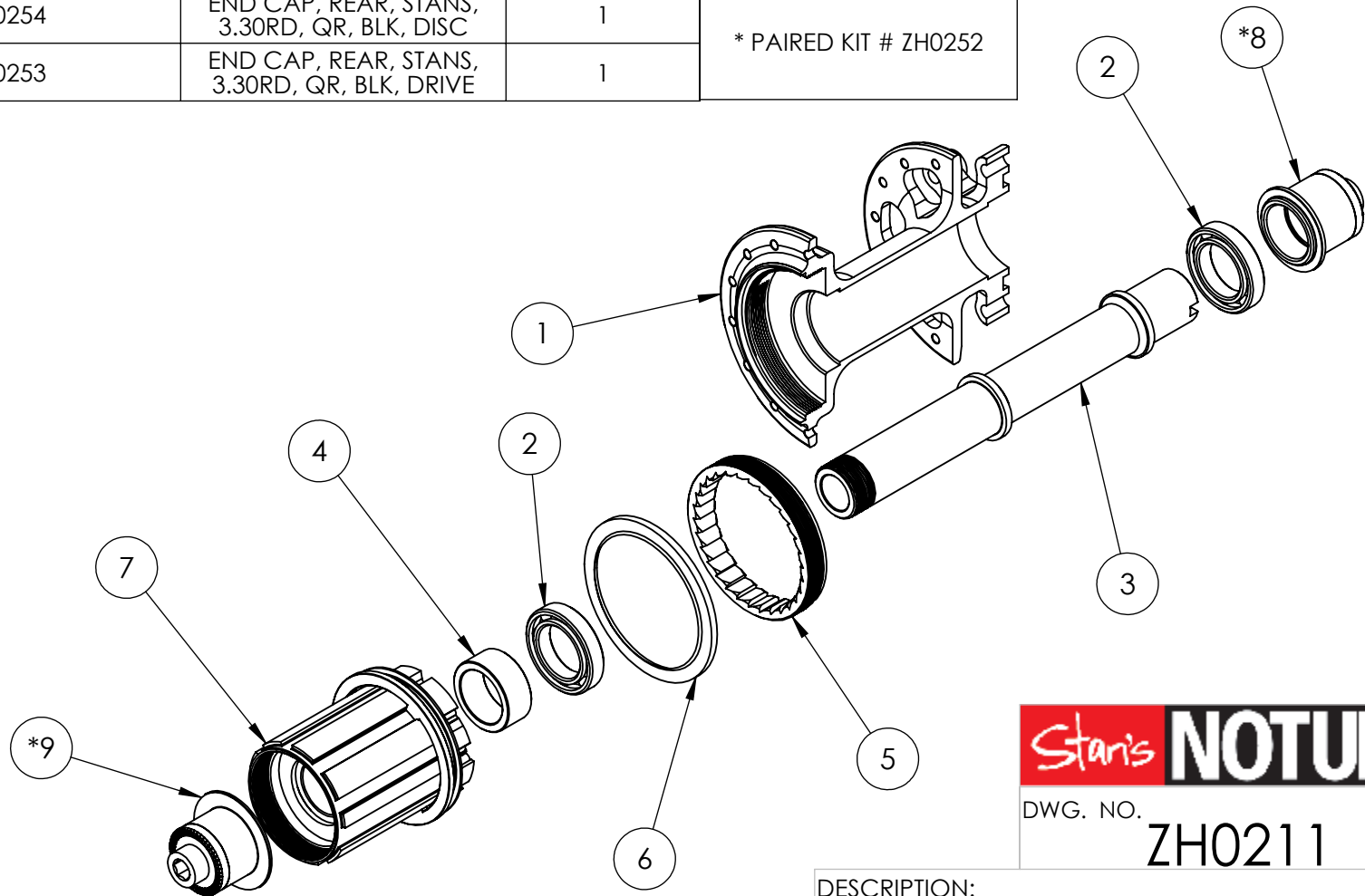
2

1

ITEM NO.	PART NUMBER	DESCRIPTION	SECION/QTY.
1	ZH0285	HUB SHELL, REAR, STANS, 3.30RDTi, 28H, BLK	1
2	ZH0096	BEARING, 6802, STAINLESS, 15x24x5, 3.30	2
3	ZH0299	AXLE, REAR, STANS, 3.30RD	1
4	ZH0048	SPACER, FREEHUB, 8.55MM	1
5	ZH0100	RATCHET RING TI, FREEHUB, STANS, 30 TOOTH	1
6	ZH0099	SEAL, FREEHUB, 3.30R/3.30RTI, RUBBER	1
7	ZH0137	FREEHUB, STANS, 3.30R, SHIMANO, RED	1
*8	ZH0254	END CAP, REAR, STANS, 3.30RD, QR, BLK, DISC	1
*9	ZH0253	END CAP, REAR, STANS, 3.30RD, QR, BLK, DRIVE	1

	LEFT	RIGHT
FLANGE ϕ	56.0	56.0 MM
CTR TO FLANGE	33.6 MM	18.8 MM

* PAIRED KIT # ZH0252



Staris NOTUBES[®]

DWG. NO.

ZH0211

DESCRIPTION:

HUB, REAR, STANS, 3.30RDTI, 6B, 28H, 10X135, QR, BLACK, STAINLESS, SHIMANO 11SP

5

4

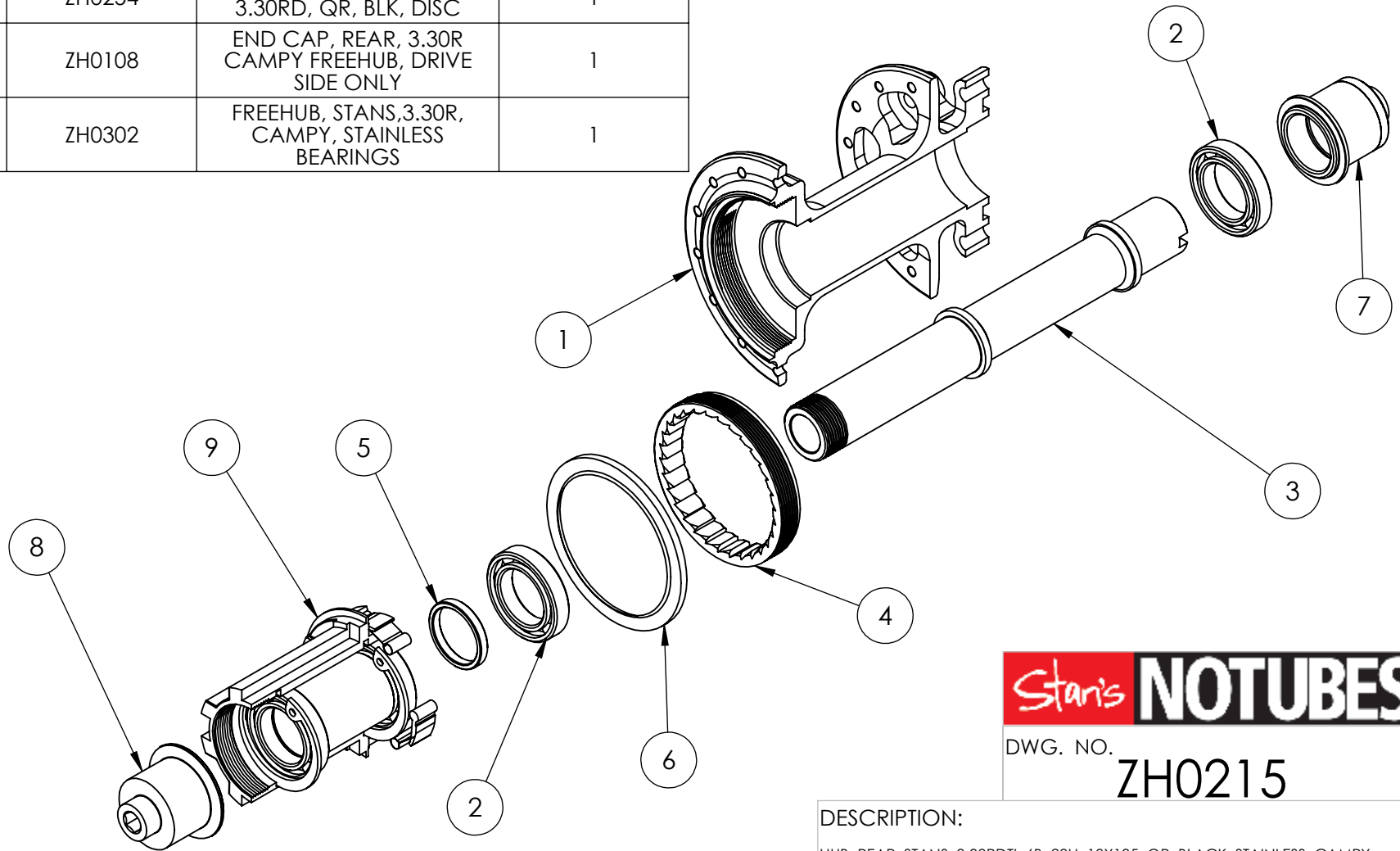
3

2

1

ITEM NO.	PART NUMBER	DESCRIPTION	section/QTY.
1	ZH0285	HUB SHELL, REAR, STANS, 3.30RDTi, 28H, BLK	1
2	ZH0096	BEARING, 6802, STAINLESS, 15x24x5, 3.30	2
3	ZH0299	AXLE, REAR, STANS, 3.30RD	1
4	ZH0100	RATCHET RING TI, FREEHUB, STANS, 30 TOOTH	1
5	ZH0140	SPACER, FREEHUB, 3.30R CAMPY, 2.54MM	1
6	ZH0099	SEAL, FREEHUB, 3.30R/3.30RTI, RUBBER	1
7	ZH0254	END CAP, REAR, STANS, 3.30RD, QR, BLK, DISC	1
8	ZH0108	END CAP, REAR, 3.30R CAMPY FREEHUB, DRIVE SIDE ONLY	1
9	ZH0302	FREEHUB, STANS, 3.30R, CAMPY, STAINLESS BEARINGS	1

	LEFT (DISC)	RIGHT
FLANGE Ø	56.0 MM	56.0 MM
CNTR TO FLANGE	33.6 MM	18.8 MM



Staris NOTUBES®

DWG. NO.

ZH0215

DESCRIPTION:

HUB, REAR, STANS, 3.30RDTI, 6B, 28H, 10X135, QR, BLACK, STAINLESS, CAMPY

5

4

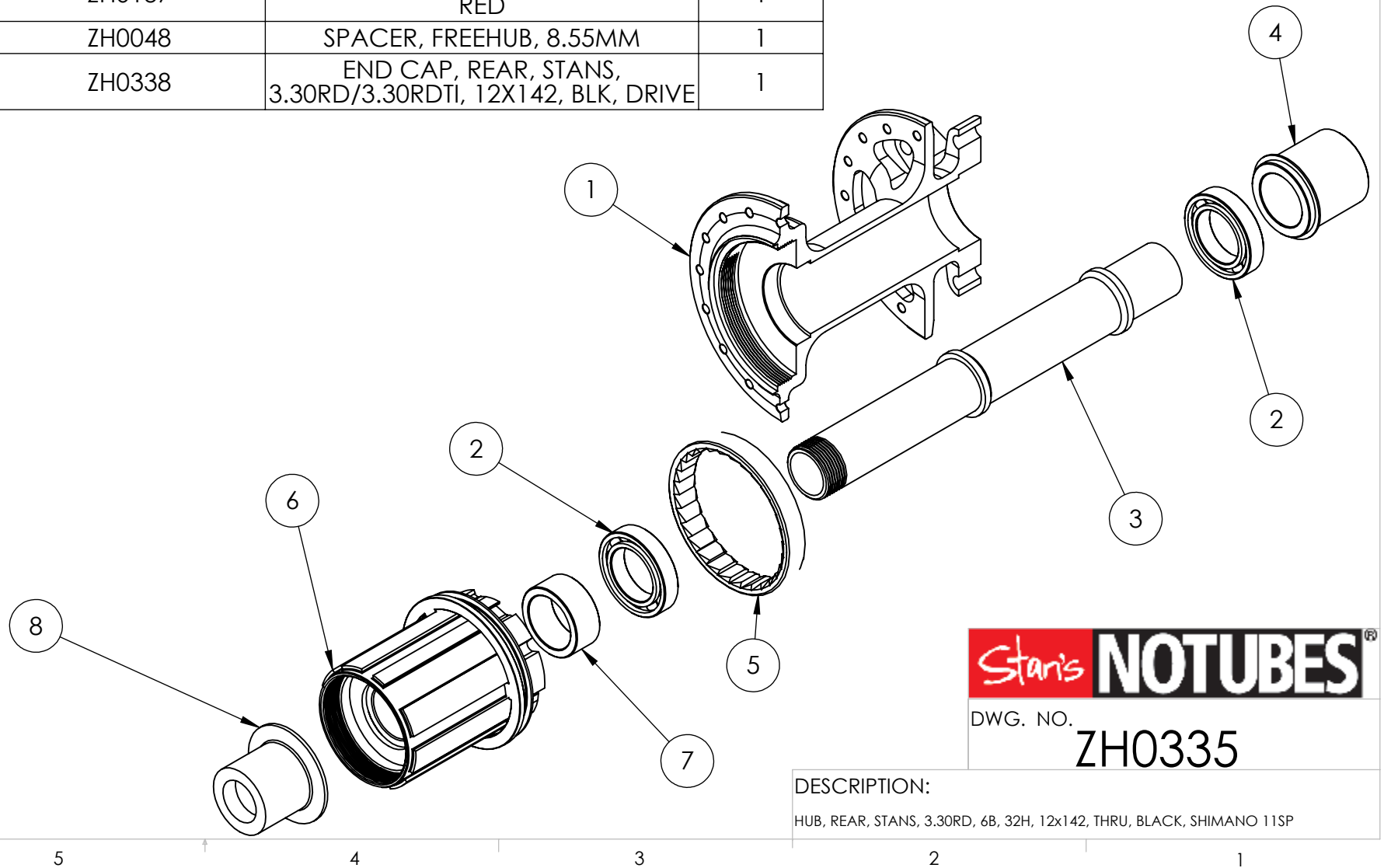
3

2

1

ITEM NO.	PART NUMBER	DESCRIPTION	QTY.
1	ZH0284	HUB SHELL, REAR, STANS, 3.30RD, 32H, BLK	1
2	ZH0011	BEARING, 6802, 24x15x5, CHROME	2
3	ZH0336	AXLE, REAR, STANS 3.30RD/3.30RDTI, 12X142	1
4	ZH0337	END CAP, REAR, STANS, 3.30RD/3.30RDTI, 12X142, BLK, DISC	1
5	ZH0028	RATCHET RING, FREEHUB, STAN'S, 3.30, 30 TOOTH	1
6	ZH0137	FREEHUB, STANS, 3.30R, SHIMANO, RED	1
7	ZH0048	SPACER, FREEHUB, 8.55MM	1
8	ZH0338	END CAP, REAR, STANS, 3.30RD/3.30RDTI, 12X142, BLK, DRIVE	1

	LEFT(DISC)	RIGHT
FLANGE Ø	58.0 MM	58.0 MM
CTR TO FLANGE	33.6 MM	18.8 MM



Staris NOTUBES[®]

DWG. NO.

ZH0335

DESCRIPTION:

HUB, REAR, STANS, 3.30RD, 6B, 32H, 12x142, THRU, BLACK, SHIMANO 11SP

5

4

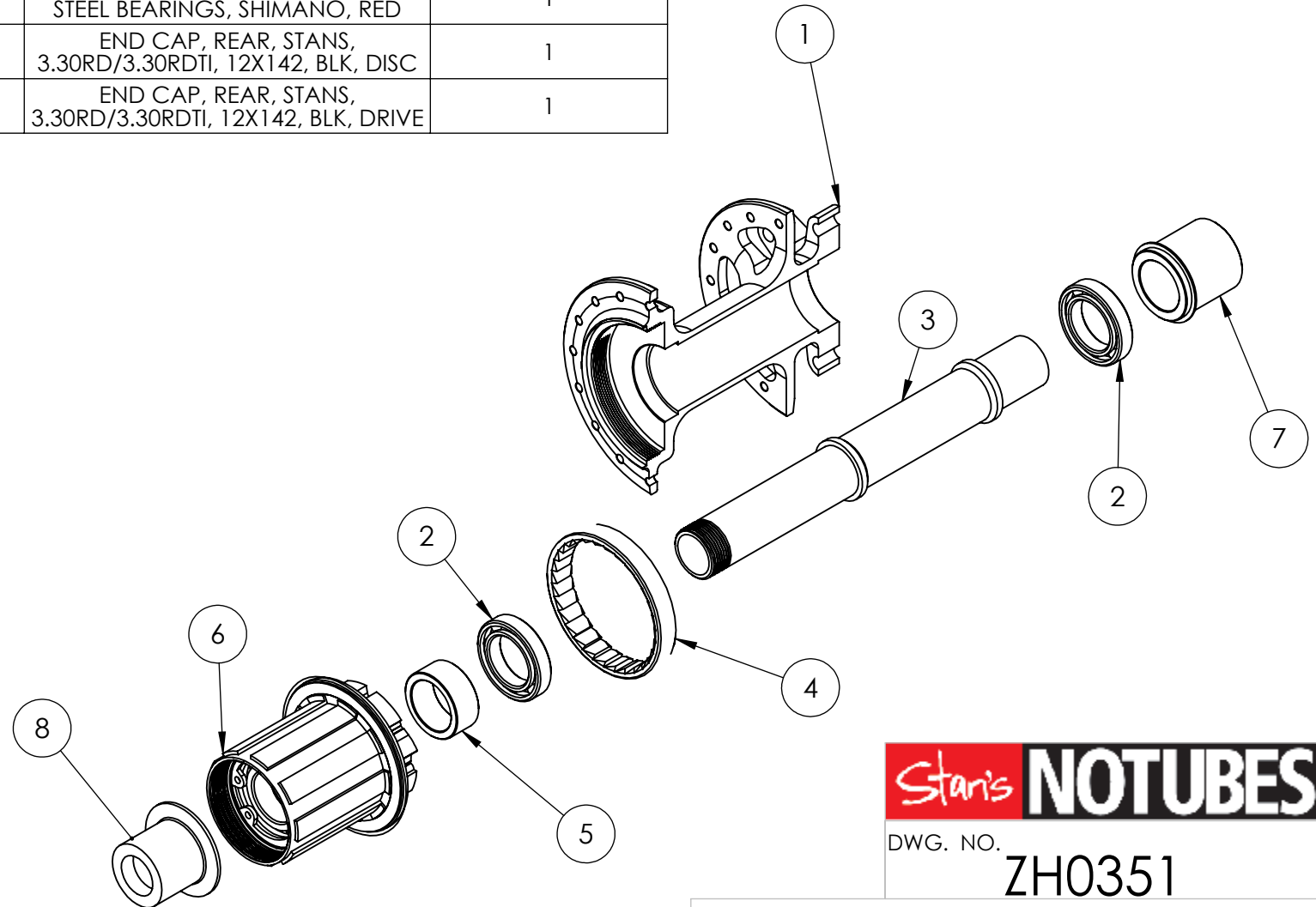
3

2

1

ITEM NO.	PART NUMBER	DESCRIPTION	section/QTY.
1	ZH0284	HUB SHELL, REAR, STANS, 3.30RD, 32H, BLK	1
2	ZH0096	BEARING, 6802, STAINLESS, 15x24x5, 3.30	2
3	ZH0336	AXLE, REAR, STANS 3.30RD/3.30RDTI, 12X142	1
4	ZH0028	RATCHET RING, FREEHUB, STAN'S, 3.30, 30 TOOTH	1
5	ZH0048	SPACER, FREEHUB, 8.55MM	1
6	ZH0101	FREE HUB, STANS, 3.30TI, STAINLESS STEEL BEARINGS, SHIMANO, RED	1
7	ZH0337	END CAP, REAR, STANS, 3.30RD/3.30RDTI, 12X142, BLK, DISC	1
8	ZH0338	END CAP, REAR, STANS, 3.30RD/3.30RDTI, 12X142, BLK, DRIVE	1

	LEFT (DISC)	RIGHT
FLANGE ϕ	58.0 MM	58.0 MM
CTR TO FLANGE	33.6 MM	18.8 MM



Staris NOTUBES[®]

DWG. NO.

ZH0351

DESCRIPTION:

HUB, REAR, STANS, 3.30RD, 6B, 28H, 12x142, THRU, BLACK, STAINLESS, SHIMANO 11SP

5

4

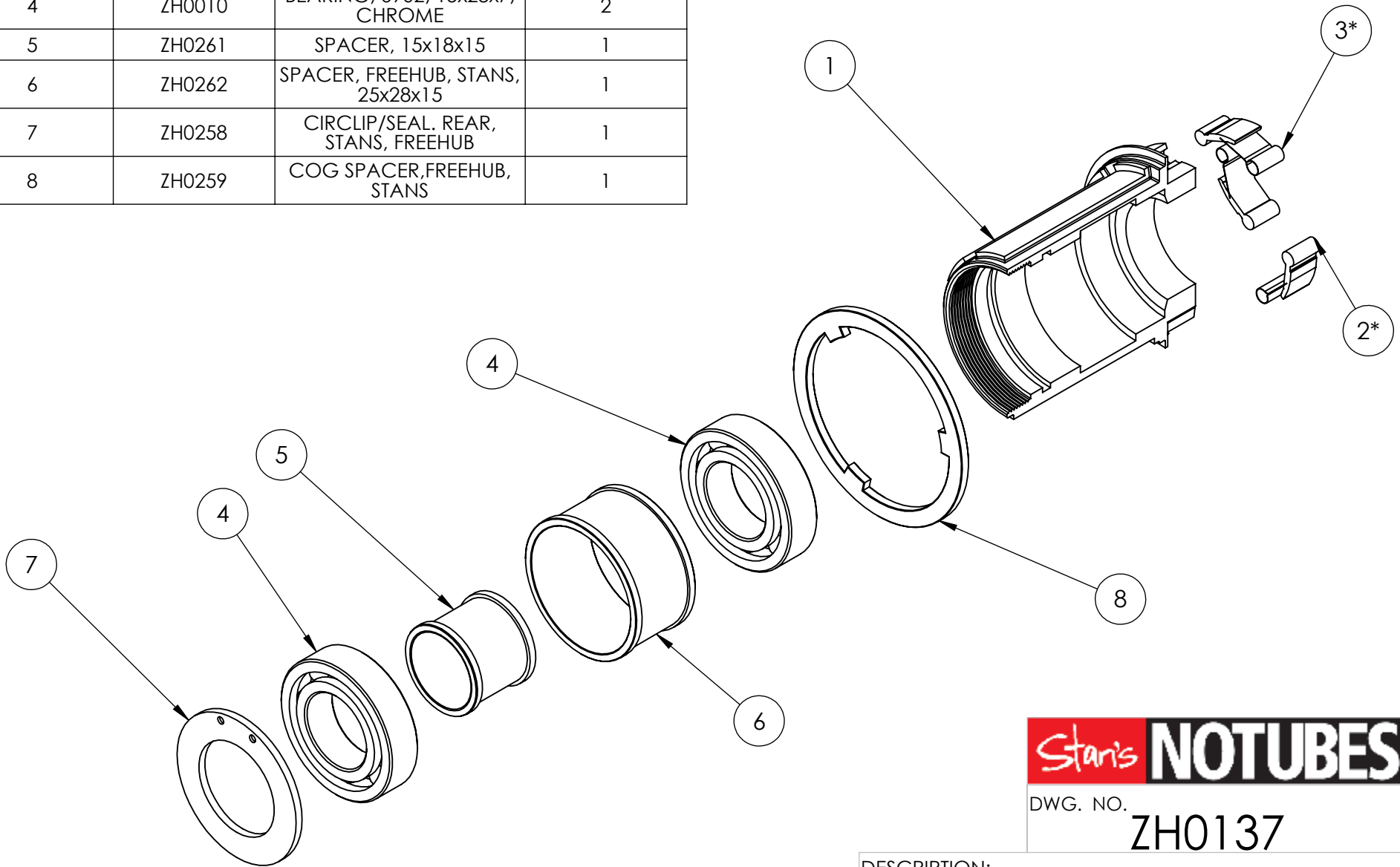
3

2

1

ITEM NO.	PART NUMBER	DESCRIPTION	section/QTY.
1	ZH0300	FREEHUB, SHELL, STANS, 11spd	1
2*	ZH0256	PAWL, REAR, STANS, FREEHUB	3
3*	ZH0255	SPRING, REAR, STANS, FREEHUB	3
4	ZH0010	BEARING, 6902, 15x28x7, CHROME	2
5	ZH0261	SPACER, 15x18x15	1
6	ZH0262	SPACER, FREEHUB, STANS, 25x28x15	1
7	ZH0258	CIRCLIP/SEAL. REAR, STANS, FREEHUB	1
8	ZH0259	COG SPACER, FREEHUB, STANS	1

* ZH0008 KIT INCLUDES
3X ZH0255 & ZH0256



Staris NOTUBES[®]

DWG. NO.

ZH0137

DESCRIPTION:

FREEHUB, STANS, 3.30R, SHIMANO 11-SPEED, RED

5

4

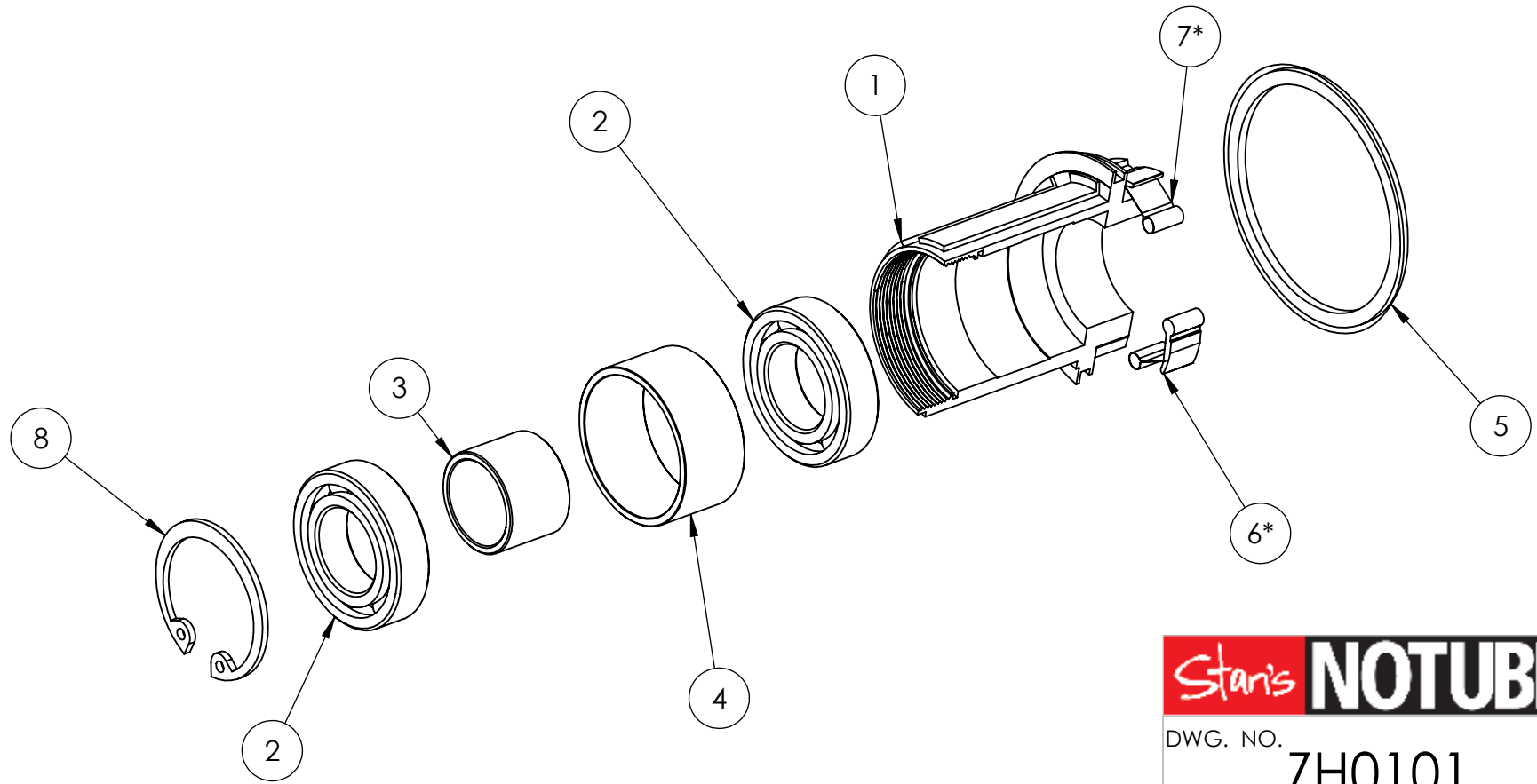
3

2

1

ITEM NO.	PART NUMBER	DESCRIPTION	SECTION/QTY.
1	ZH0289	FREEHUB, SHELL, STANS, 3.30, 9/10SPD	1
2	ZH0097	BEARING, 6902, STAINLESS STEEL, 28x15x7	2
3	ZH0264	SPACER, 15.1x18x13	1
4	ZH0265	SPACER, 25x28x13	1
5	ZH0095	SEAL, RUBBER, 3.30/3.30TI/3.30HD DISC FREEHUB	1
6*	ZH0256	PAWL, REAR, STANS, FREEHUB	3
7*	ZH0255	SPRING, REAR, STANS, FREEHUB	3
8	ZH0301	INTERNAL RETAINING RING	1

* ZH0008 KIT INCLUDES
3X ZH0256 & ZH0255



Staris NOTUBES®

DWG. NO.

ZH0101

DESCRIPTION:

FREE HUB, STANS, 3.30TI, STAINLESS STEEL BEARINGS, SHIMANO, RED

5

4

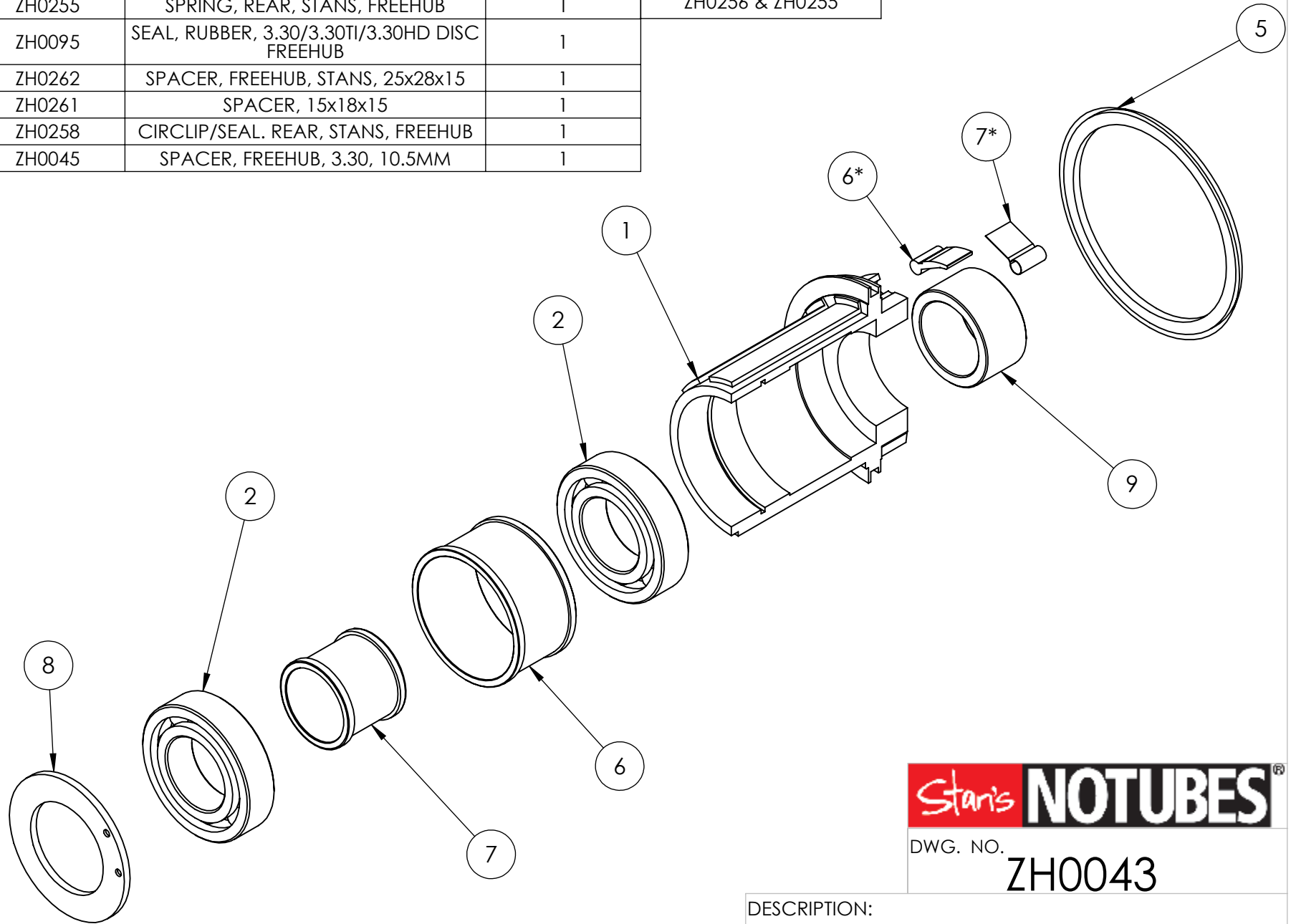
3

2

1

ITEM NO.	PART NUMBER	DESCRIPTION	SECTION/QTY.
1	ZH0292	FREEHUB, SHELL, STANS, 3.30	1
2	ZH0010	BEARING, 6902, 15x28x7, CHROME	2
6*	ZH0256	PAWL, REAR, STANS, FREEHUB	1
7*	ZH0255	SPRING, REAR, STANS, FREEHUB	1
5	ZH0095	SEAL, RUBBER, 3.30/3.30TI/3.30HD DISC FREEHUB	1
6	ZH0262	SPACER, FREEHUB, STANS, 25x28x15	1
7	ZH0261	SPACER, 15x18x15	1
8	ZH0258	CIRCLIP/SEAL. REAR, STANS, FREEHUB	1
9	ZH0045	SPACER, FREEHUB, 3.30, 10.5MM	1

* ZH0008 KIT INCLUDES 3X ZH0256 & ZH0255



Staris NOTUBES®

DWG. NO.

ZH0043

DESCRIPTION:

FREE HUB, ZTR HD/3.30HD, DISC, RED

5

4

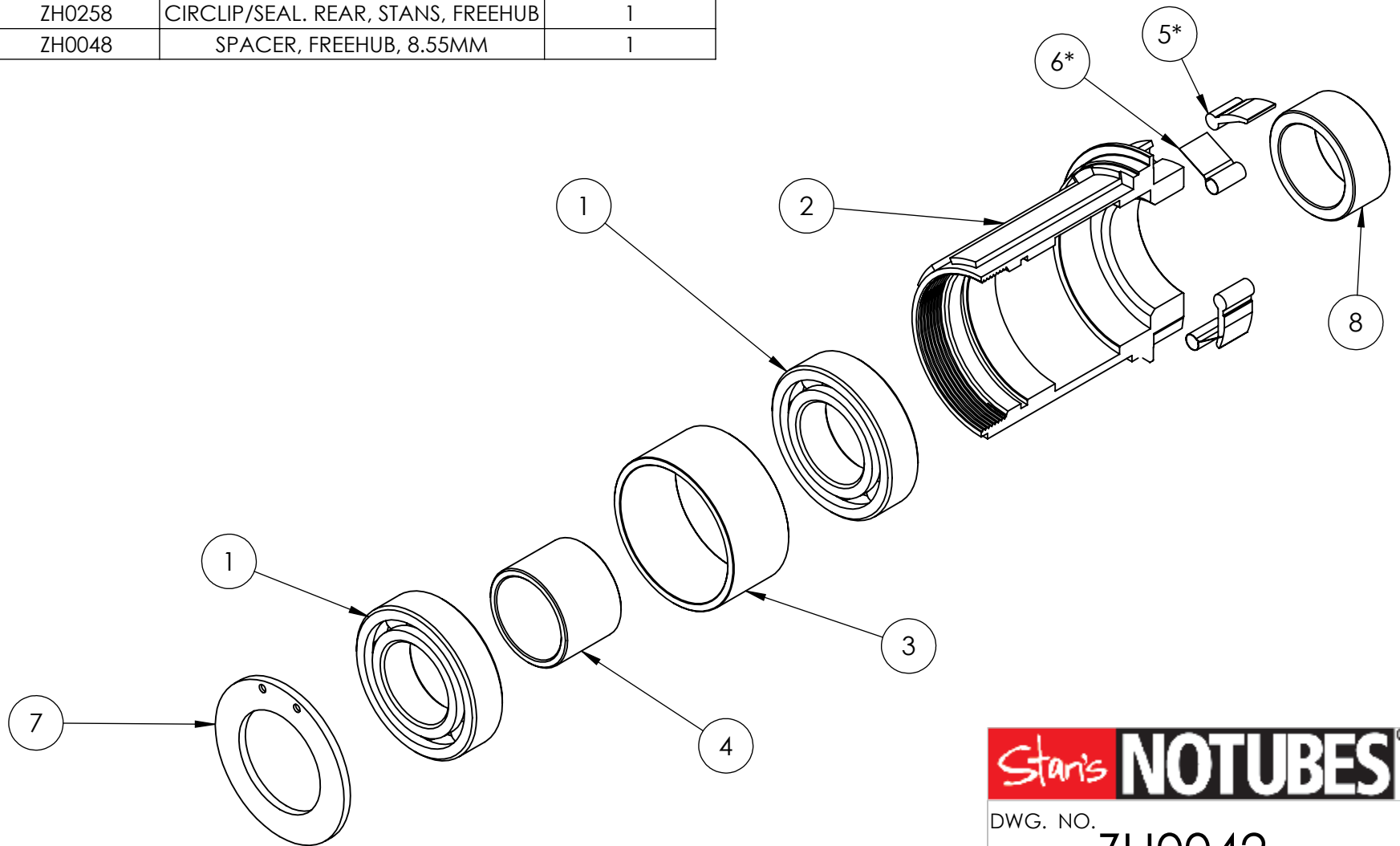
3

2

1

ITEM NO.	PART NUMBER	DESCRIPTION	SECTION/QTY.
1	ZH0097	BEARING, 6902, STAINLESS STEEL, 28x15x7	2
2	ZH0295	FREEHUB, STANS, 3.30R, SHIMANO, RED, 9/10spd	1
3	ZH0265	SPACER, 25x28x13	1
4	ZH0264	SPACER, 15.1x18x13	1
5*	ZH0256	PAWL, REAR, STANS, FREEHUB	3
6*	ZH0255	SPRING, REAR, STANS, FREEHUB	3
7	ZH0258	CIRCLIP/SEAL. REAR, STANS, FREEHUB	1
8	ZH0048	SPACER, FREEHUB, 8.55MM	1

*ZH0008 KIT INCLUDES
3X ZH0255 & ZH0256



Staris NOTUBES[®]

DWG. NO.

ZH0042

DESCRIPTION:

FREEHUB, STANS, 3.30R, SHIMANO, RED

5

4

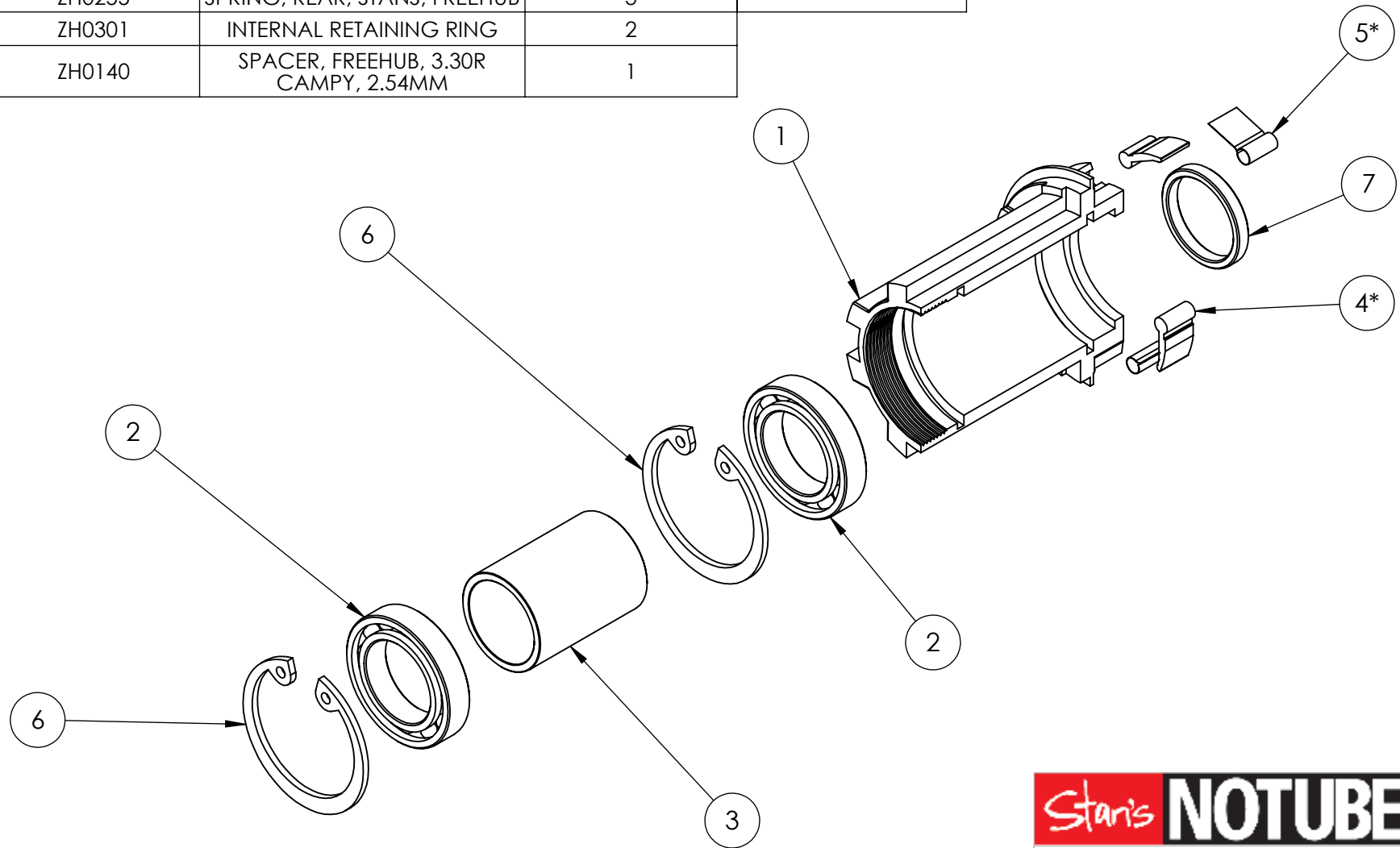
3

2

1

ITEM NO.	PART NUMBER	DESCRIPTION	SECTION/QTY.
1	ZH0294	FREEHUB, SHELL, STANS, 3.30R, CAMPY	1
2	ZH0011	BEARING, 6802, 24x15x5, CHROME	2
3	ZH0263	SPACER, 15.1x18x25	1
4*	ZH0256	PAWL, REAR, STANS, FREEHUB	3
5*	ZH0255	SPRING, REAR, STANS, FREEHUB	3
6	ZH0301	INTERNAL RETAINING RING	2
7	ZH0140	SPACER, FREEHUB, 3.30R CAMPY, 2.54MM	1

*ZH0008 KIT INCLUDES
3X ZH0256 & ZH0255



Staris NOTUBES[®]

DWG. NO.

ZH0022

DESCRIPTION:

FREE HUB, STANS, 3.30R, CAMPAGNOLO, RED

5

4

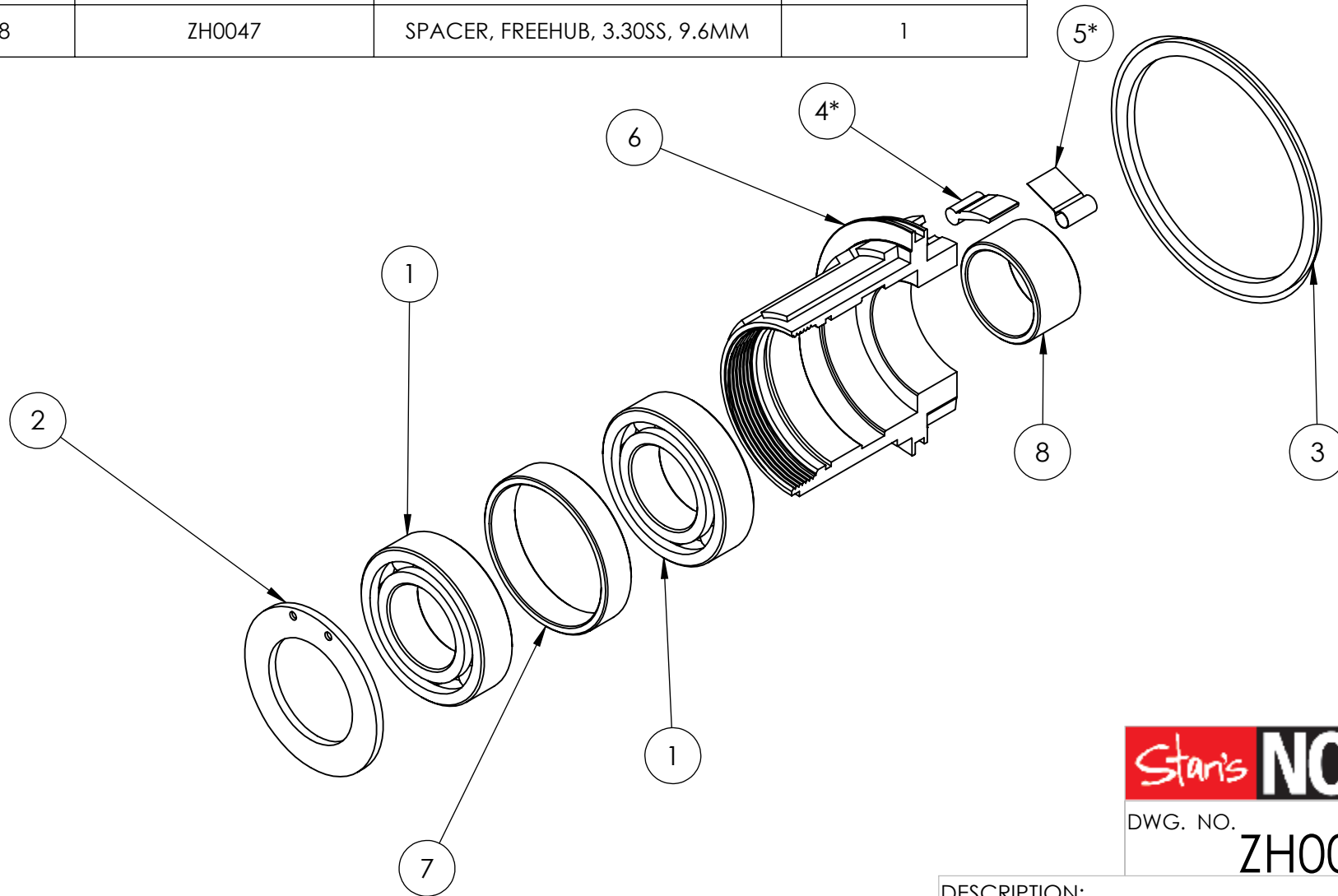
3

2

1

ITEM NO.	PART NUMBER	DESCRIPTION	SECTION/QTY.
1	ZH0010	BEARING, 6902, 15x28x7, CHROME	2
2	ZH0258	CIRCLIP/SEAL. REAR, STANS, FREEHUB	1
3	ZH0095	SEAL, RUBBER, 3.30/3.30TI/3.30HD DISC FREEHUB	1
4*	ZH0256	PAWL, REAR, STANS, FREEHUB	1
5*	ZH0255	SPRING, REAR, STANS, FREEHUB	1
6	ZH0290	FREEHUB, SHELL, STANS, SINGLESPEED	1
7	ZH0267	SPACER, FREEHUB, STANS, 25x28x5.8MM	1
8	ZH0047	SPACER, FREEHUB, 3.30SS, 9.6MM	1

*ZH0008 INCLUDES 3X ZH0255 & ZH0256



Staris NOTUBES[®]

DWG. NO.

ZH0015

DESCRIPTION:

FREE HUB, STANS, 3.30, SINGLESPEED, RED

5

4

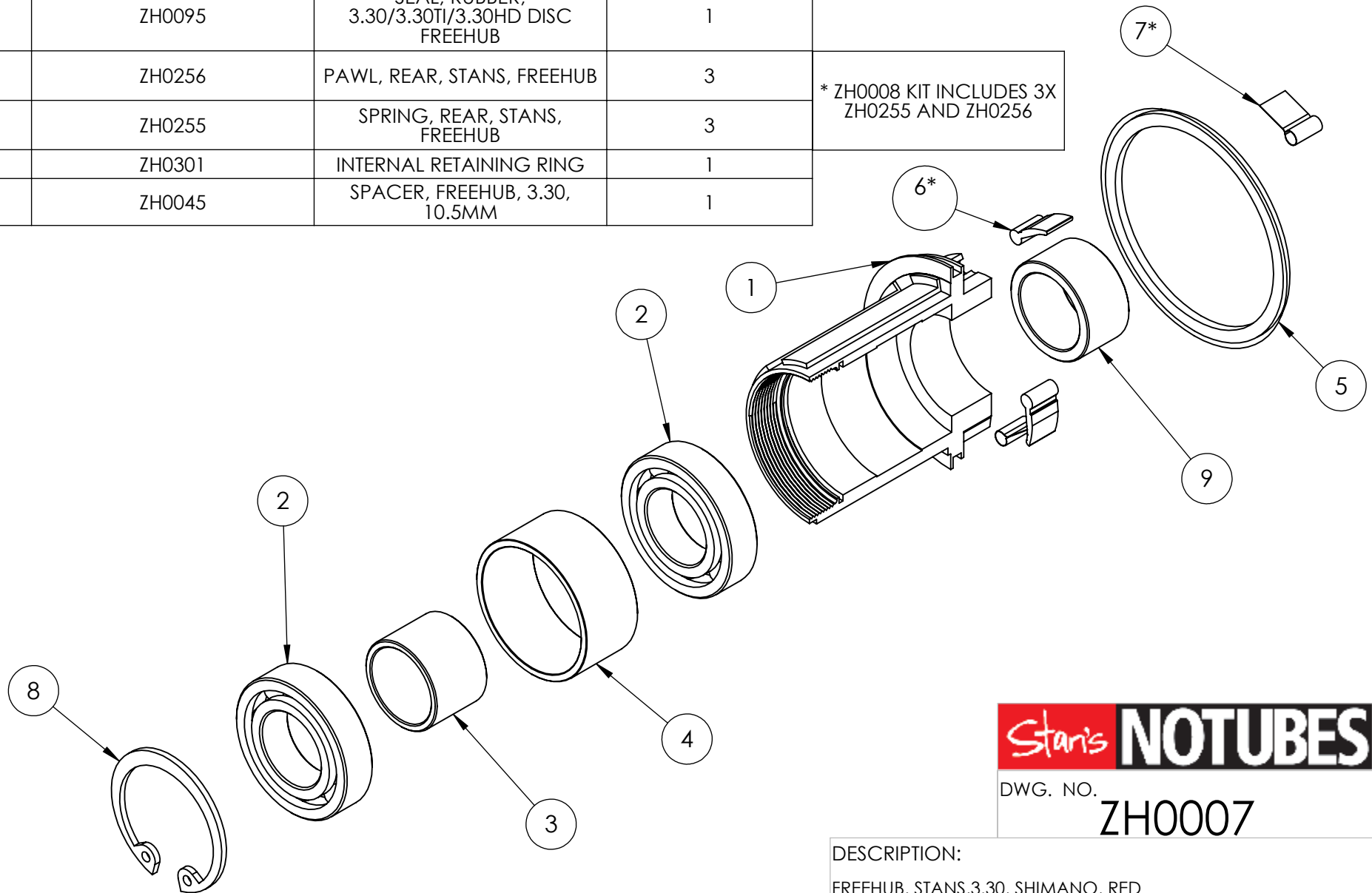
3

2

1

ITEM NO.	PART NUMBER	DESCRIPTION	SECTION/QTY.
1	ZH0289	FREEHUB, SHELL, STANS, 3.30, SHIMANO	1
2	ZH0010	BEARING, 6902, 15x28x7, CHROME	2
3	ZH0264	SPACER, 15.1x18x13	1
4	ZH0265	SPACER, 25x28x13	1
5	ZH0095	SEAL, RUBBER, 3.30/3.30TI/3.30HD DISC FREEHUB	1
6*	ZH0256	PAWL, REAR, STANS, FREEHUB	3
7*	ZH0255	SPRING, REAR, STANS, FREEHUB	3
8	ZH0301	INTERNAL RETAINING RING	1
9	ZH0045	SPACER, FREEHUB, 3.30, 10.5MM	1

* ZH0008 KIT INCLUDES 3X ZH0255 AND ZH0256



Staris NOTUBES®

DWG. NO.

ZH0007

DESCRIPTION:

FREEHUB, STANS, 3.30, SHIMANO, RED

5

4

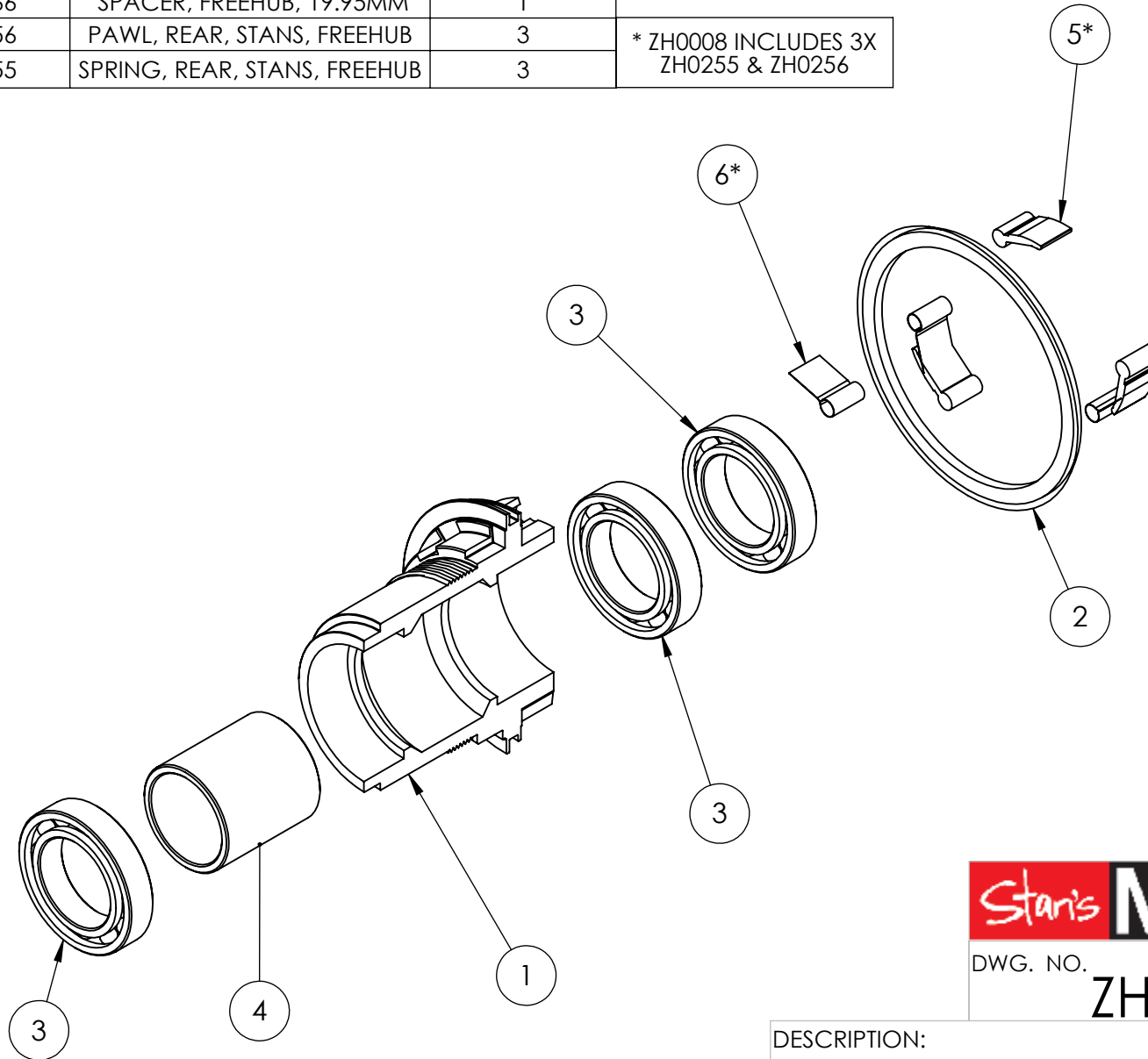
3

2

1

ITEM NO.	PART NUMBER	DESCRIPTION	section/QTY.
1	ZH0298	FREEHUB, SHELL, STANS, XD	1
2	ZH0095	SEAL, RUBBER, 3.30/3.30TI/3.30HD DISC FREEHUB	1
3	ZH0011	BEARING, 6802, 24x15x5, CHROME	3
4	ZH0266	SPACER, FREEHUB, 19.95MM	1
5*	ZH0256	PAWL, REAR, STANS, FREEHUB	3
6*	ZH0255	SPRING, REAR, STANS, FREEHUB	3

* ZH0008 INCLUDES 3X
ZH0255 & ZH0256



Staris NOTUBES®

DWG. NO.

ZH0163

DESCRIPTION:

FREE HUB, STANS, 3.30, XD, RED

5

4

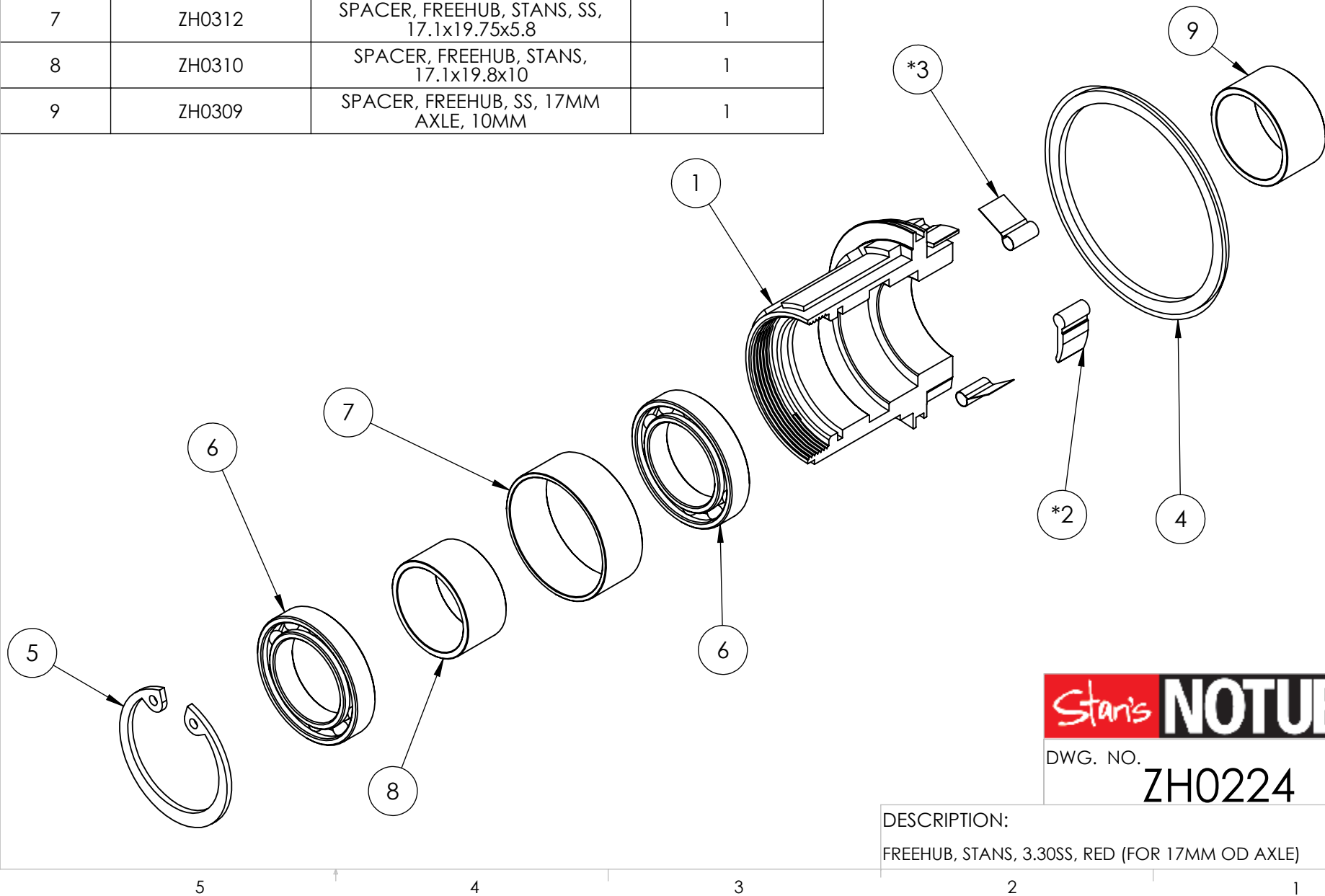
3

2

1

ITEM NO.	PART NUMBER	DESCRIPTION	section/QTY.
1	ZH0293	FREE HUB SHELL	1
*2	ZH0256	PAWL, REAR, STANS, FREEHUB	3
*3	ZH0255	SPRING, REAR, STANS, FREEHUB	3
4	ZH0095	SEAL, RUBBER, 3.30/3.30TI/3.30HD DISC FREEHUB	1
5	ZH0301	INTERNAL RETAINING RING	1
6	ZH0306	BEARING, 6803, 17x26x5, CHROME	2
7	ZH0312	SPACER, FREEHUB, STANS, SS, 17.1x19.75x5.8	1
8	ZH0310	SPACER, FREEHUB, STANS, 17.1x19.8x10	1
9	ZH0309	SPACER, FREEHUB, SS, 17MM AXLE, 10MM	1

*ZH0008 KIT INCLUDES 3X ZH0256 AND ZH0255



Star's NOTUBES®

DWG. NO.

ZH0224

DESCRIPTION:

FREEHUB, STANS, 3.30SS, RED (FOR 17MM OD AXLE)

5

4

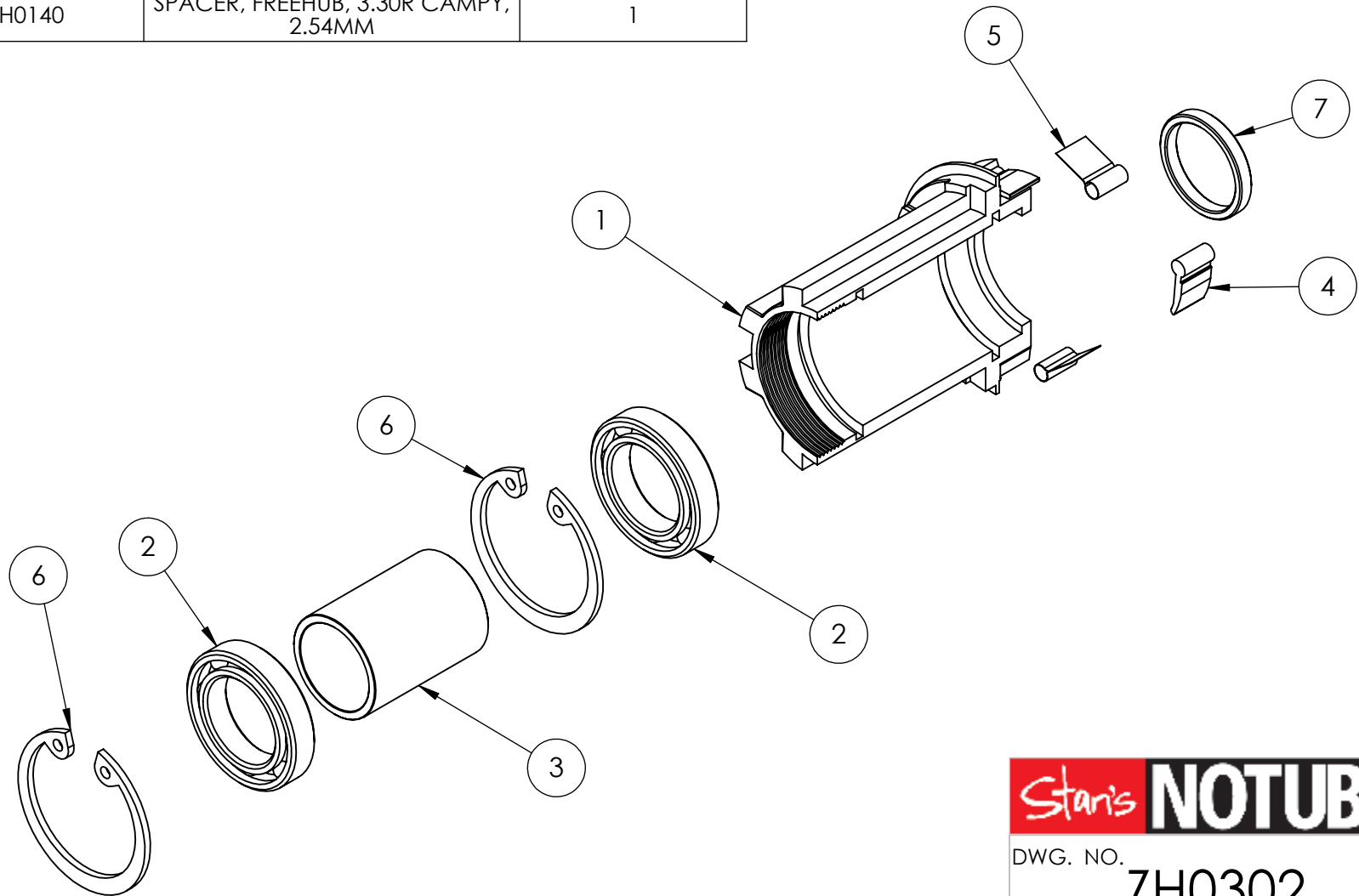
3

2

1

ITEM NO.	PART NUMBER	DESCRIPTION	section/QTY.
1	ZH0294	FREEHUB, SHELL, STANS, 3.30R, CAMPY	1
2	ZH0096	BEARING, 6802, STAINLESS, 15x24x5, 3.30	2
3	ZH0263	SPACER, 15.1x18x25	1
4	ZH0256	PAWL, REAR, STANS, FREEHUB	3
5	ZH0255	SPRING, REAR, STANS, FREEHUB	3
6	ZH0301	INTERNAL RETAINING RING	2
7	ZH0140	SPACER, FREEHUB, 3.30R CAMPY, 2.54MM	1

*ZH0008 KIT INCLUDES
3x ZH0255 AND ZH0256



Staris NOTUBES[®]

DWG. NO.

ZH0302

DESCRIPTION:

FREEHUB, STANS,3.30R, CAMPY, STAINLESS BEARINGS

5

4

3

2

1