

V2520-MPZ

f=25mm F2.0

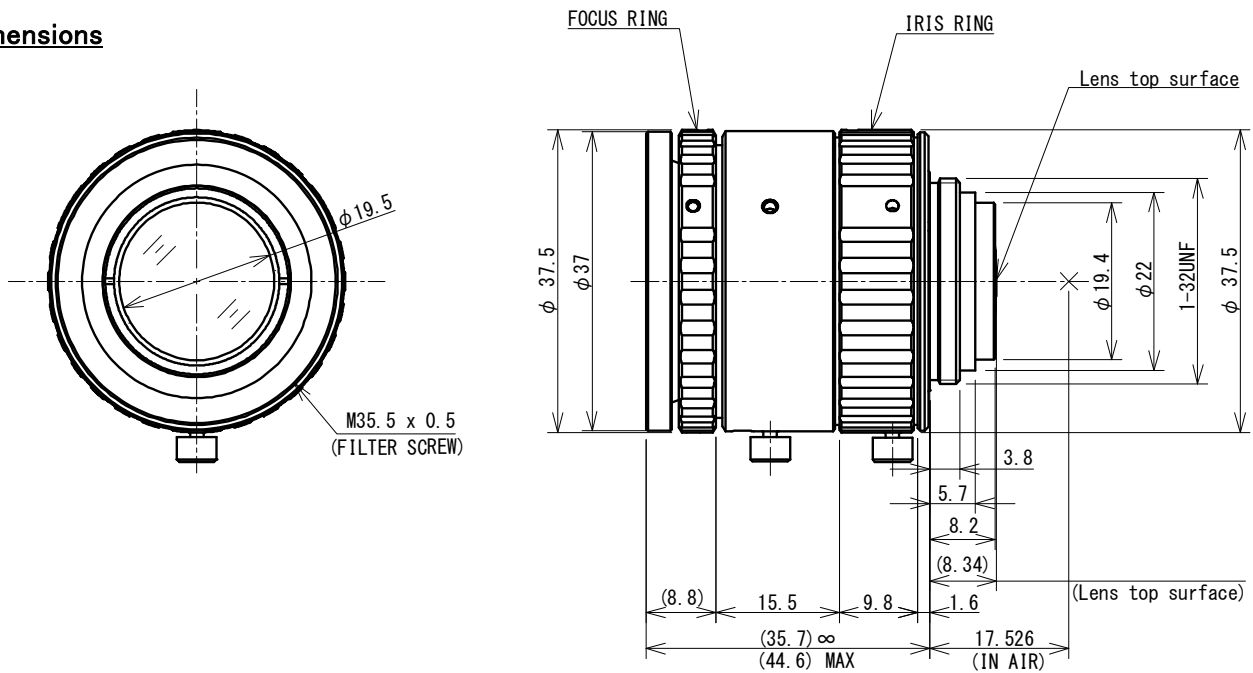
for 1" type cameras, Fixed-focal

C-Mount

Model No.	V2520-MPZ		Effective	Front	φ 19.2mm	
Focal Length	25mm		Lens Aperture	Rear	φ 17.1mm	
Max. Aperture Ratio	1:2.0		Distortion	1 Type	0.0%	
Max. Image Format	12.8mm x 9.6mm(φ 16mm)			2/3 Type	0.0%	
Operation Range	Iris	F2.0 - F16.0		1/1.8 Type	0.0%	
	Focus	0.15m - Inf.	Back Focal Length	9.1mm		
Control	Iris	Manual	Flange Back Length	17.526mm		
	Focus	Manual	Mount	C-Mount		
Object Dimension at M.O.D.	1 Type	66.9mm x 50.1mm	Filter Size	M35.5 P=0.5mm		
	2/3 Type	45.9mm x 34.4mm	Dimensions	φ 37.5mm x 35.7mm		
	1/1.8 Type	37.5mm x 28.1mm	Weight	73.1g		
Angle of View	D	1 Type	2/3 Type	1/1.8 Type	35.5°	
	H				24.9°	20.5°
	V				28.8°	20.0°
					15.1°	12.4°
Operating Temperature	-10°C - +50°C					

M.O.D. : Minimum Object Distance

Dimensions



SCORPION VISION