

V0826-MPZ

f=8mm F2.6

for 1" type cameras, Fixed-focal

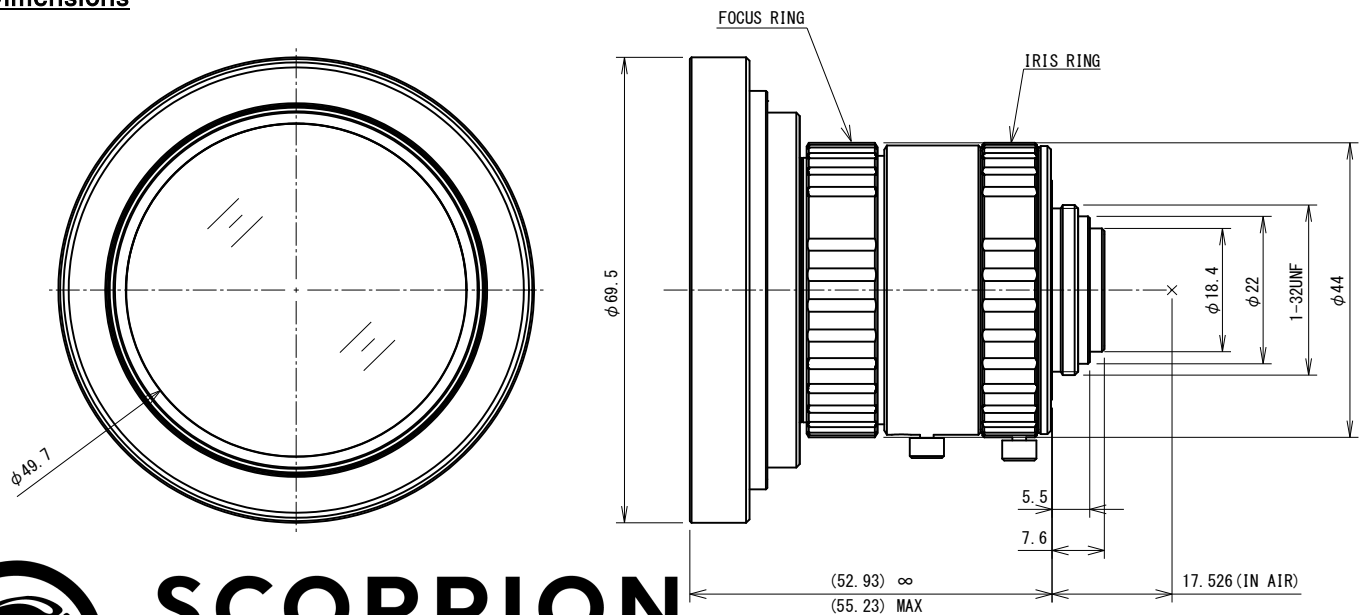
C-Mount

Model No.		V0826-MPZ		Effective	Front	φ 49.4mm	
Focal Length		8mm		Lens Aperture	Rear	φ 15.1mm	
Max. Aperture Ratio		1:2.6			Distortion	1 Type	-0.8%
Max. Image Format		12.8mm x 9.6mm (φ 16mm)		2/3 Type		-2.1%	
Operation Range	Iris	F2.6- F16.0		1/1.8 Type		-1.9%	
	Focus	0.1m - Inf.		Back Focal Length		10.6mm	
Control	Iris	Manual		Flange Back Length		17.526mm	
	Focus	Manual		Mount		C-Mount	
Object Dimension at M.O.D.	1 Type	189.9mm x 140.0mm		Weight		203.1g	
	2/3 Type	127.8mm x 94.8mm		Dimensions		φ 69.5mm x 52.93mm	
	1/1.8 Type	103.7mm x 77.2mm				φ 85.0mm x 53.83mm (with ZM0810)	
Filter Size(*)		-					
Angle of View	D	1 Type	88.8°	2/3 Type	68.6°	1/1.8 Type	58.2°
	H		76.9°		57.1°		47.8°
	V		61.5°		44.2°		36.6°
Operating Temperature		-10°C - +50°C					

M.O.D. : Minimum Object Distance

(*)For using filters, please attach ZM0810.

Dimensions



SCORPION VISION