

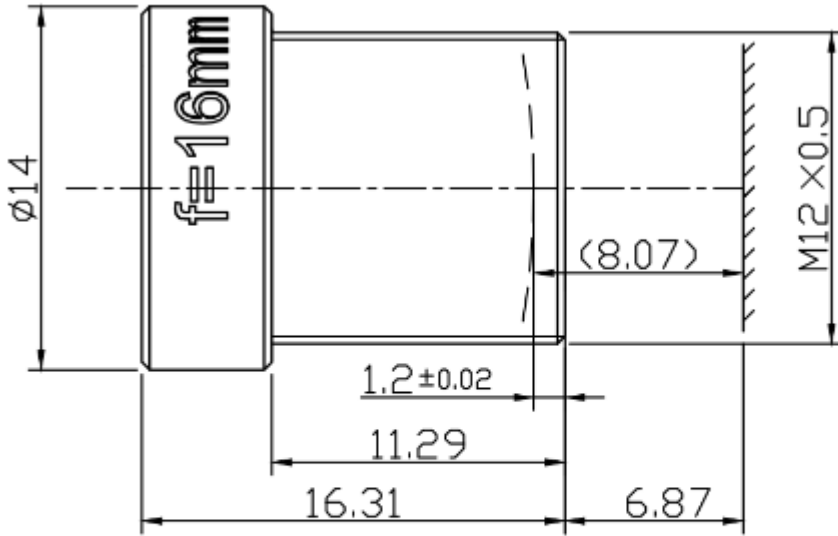


M12 Lens 16mm F4.0

SVL-1640MAC



Focal Length	16mm
F Number	f4.0
Iris	Non Adjustable
Mount	M12
Format	2/ 3"
IR Block	No IR Block
Resolution	10MP
Field of View (D x H x V)	36.03 x 29.10 x 22.01Degrees
Distortion	<0.44%
Back Focus	8.07mm
Suitable Distance	0.2-∞m
Design Wavelength	400nm-950nm
Operating Temperature	-20° C~+65° C
TTL	22.85mm



Unit:mm