

SA3520M-10MP

4/3" 35mm 10MP FA LENS

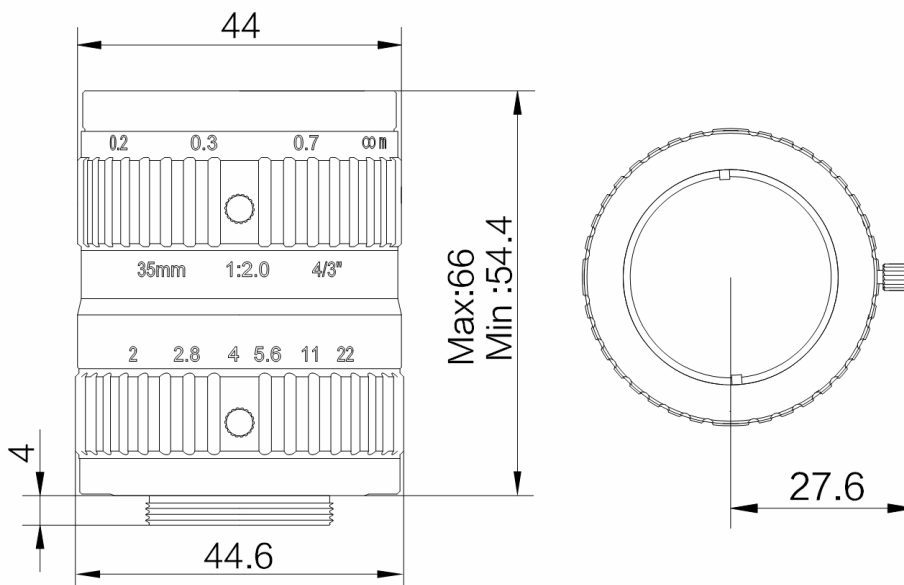
SA series FA Lens are optimized for machine vision light sources and sensors, with high resolution, excellent image uniformity, high transmittance and good stability. Featured with fixed focal length, manual aperture and compact size, it is suitable for machine vision industry application.



Key Features

- High resolution and excellent image uniformity
- F2.0, Maximum image circle of 4/3"
- Low distortion to improve measurement accuracy
- High peripheral brightness ratio to ensure image brightness consistency

Dimension



Unit:mm



## Specification

Model	SA3520M-10MP
Parameter	Fixed focal length, Manual iris, 10MP, FA Lens
<b>Performance</b>	
Focal Length	35 mm
F-Number	F2.0 ~ F22
Image Size	Φ23 mm(4/3")
Optical Distortion	-0.56%
Minimum Operation Distance	0.2 m
Field of View	D (22.6 mm) : 36.6° H (18.13 mm) : 29.6° V (13.6 mm) : 22.4°
<b>Mechanical</b>	
Iris Control	Manual
Focus Control	Manual
Filter Thread	M40.5 × 0.75
Mount	C-Mount
Flange Back Length	17.526 mm
Dimension	Φ44.6×66 mm
Weight	171 g
Temperature	-10 ~ 50°C
<b>General</b>	
Certification	RoHS2.0

## Field of View

Extension (mm)	Working Distance (mm)		Magnification	Field of View (mm)					
				4/3"		1.1"		2/3"	
				H(18.13mm)	V(13.6mm)	H(14.14mm)	V(10.35mm)	H(8.45mm)	V(7.07mm)
10	near	72.48	-0.477	38.03	28.53	29.66	21.71	17.73	14.83
	far	123.37	-0.286	63.38	47.54	49.43	36.18	29.54	24.71
5	near	103.90	-0.334	54.30	40.74	42.35	31.00	25.31	21.18
	far	245.42	-0.143	126.60	94.97	98.74	72.27	59.01	49.37
2	near	140.11	-0.248	73.06	54.81	56.98	41.71	34.05	28.49
	far	609.79	-0.057	315.34	236.55	245.94	180.02	146.97	122.97
1	near	158.46	-0.220	82.57	61.94	64.40	47.14	38.48	32.20
	far	1211.20	-0.029	626.87	470.24	488.91	357.87	292.17	244.46
0		200	-0.183	99.50	74.52	76.96	56.64	46.22	38.65
		250	-0.145	135.57	94.22	97.79	71.48	58.32	48.77
		300	-0.120	151.64	113.55	118.09	86.31	70.42	58.89
		350	-0.103	177.70	133.07	138.38	101.14	82.51	69.01
		400	-0.090	203.77	152.58	158.67	115.97	94.61	79.13
		450	-0.079	229.83	172.09	178.97	130.79	106.71	89.24
		500	-0.071	255.89	191.60	199.26	145.62	118.81	99.36
		550	-0.065	281.95	211.12	219.55	160.45	130.91	109.48
		600	-0.059	308.00	230.63	239.84	175.28	143.01	119.60
		650	-0.055	334.06	250.14	260.13	190.11	155.11	129.72
		700	-0.051	360.12	269.65	280.42	204.94	167.21	139.84
		750	-0.047	386.18	289.16	300.71	219.77	179.31	149.96
		800	-0.044	412.23	308.68	321.01	234.60	191.41	160.08
		850	-0.042	438.29	328.19	341.30	249.43	203.51	170.20
		900	-0.039	464.35	347.70	361.59	264.26	215.61	180.32
		950	-0.037	490.40	367.21	381.88	279.09	227.71	190.43
	1000	-0.035	516.46	386.72	402.17	293.93	239.81	200.55	

Distribution Partner:



**SCORPION  
VISION**