

SA2520M-10MP

4/3" 25mm 10MP FA LENS

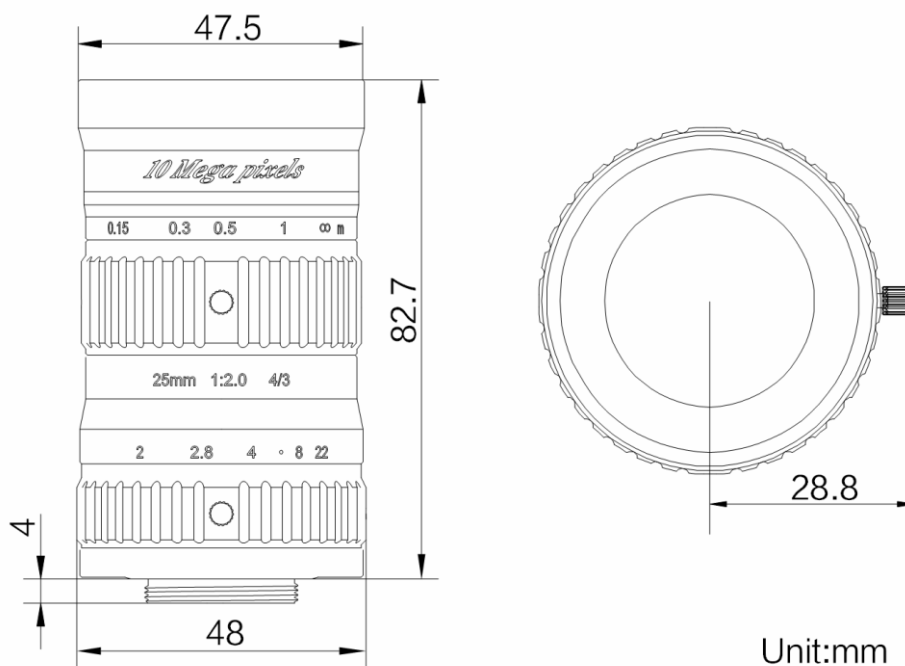
SA series FA Lens are optimized for machine vision light sources and sensors, with high resolution, excellent image uniformity, high transmittance and good stability. Featured with fixed focal length, manual aperture and compact size, it is suitable for machine vision industry application.



Key Features

- High resolution and excellent image uniformity
- F2.0, Maximum image circle of 4/3"
- Low distortion to improve measurement accuracy
- High peripheral brightness ratio to ensure image brightness consistency

Dimension



Specification

Model	SA2520M-10MP
Parameter	Fixed focal length, Manual iris, 10MP, FA Lens
Performance	
Focal Length	25 mm
F-Number	F2.0 ~ F22
Image Size	Φ23 mm(4/3")
Optical Distortion	-0.66%
Minimum Operation Distance	0.15 m
Field of View	D (22.6 mm) : 49.7° H (18.13 mm) : 40.6° V (13.6 mm) : 31.0°
Mechanical	
Iris Control	Manual
Focus Control	Manual
Filter Thread	M46×0.75
Mount	C-Mount
Flange Back Length	17.526 mm
Dimension	Φ48×82.7 mm
Weight	250 g
Temperature	-10 ~ 50°C
General	
Certification	RoHS2.0

Field of View

Extension (mm)	Working Distance (mm)		Magnification	Field of View (mm)					
				4/3"		1.1"		2/3"	
				H(18.13mm)	V(13.6mm)	H(14.14mm)	V(10.35mm)	H(8.45mm)	V(7.07mm)
10	near	27.46	-0.548	33.08	24.82	25.80	18.89	15.42	12.90
	far	42.24	-0.400	45.30	33.98	35.33	25.86	21.11	17.66
5	near	53.68	-0.348	52.10	39.08	40.63	29.74	24.28	20.32
	far	104.62	-0.200	90.54	67.92	70.61	51.69	42.20	35.31
2	near	91.49	-0.228	79.52	59.65	62.02	45.39	37.06	31.01
	far	291.31	-0.080	225.92	169.47	176.20	128.97	105.30	88.10
1	near	114.82	-0.188	96.44	72.34	75.21	55.05	44.95	37.61
	far	600.90	-0.040	450.43	337.89	351.30	257.14	209.94	175.65
0		150	-0.145	126.28	98.38	98.17	71.67	58.45	48.87
		200	-0.112	163.03	121.90	126.79	92.58	75.51	63.14
		250	-0.092	199.69	149.34	155.33	113.43	92.52	79.36
		300	-0.077	236.29	176.75	183.83	134.26	109.51	91.57
		350	-0.070	272.86	204.13	212.30	155.06	126.48	105.77
		400	-0.059	309.41	231.49	240.76	175.86	143.45	119.95
		450	-0.053	345.95	258.84	269.21	196.65	160.41	134.14
		500	-0.048	382.47	286.19	297.64	217.43	177.36	148.32
		550	-0.044	418.98	313.53	326.08	238.21	194.31	162.49
		600	-0.040	455.49	340.87	354.51	258.98	211.26	176.67
		650	-0.037	492.00	368.20	382.93	279.75	228.21	190.84
		700	-0.035	528.50	395.53	411.35	300.52	245.15	205.01
		750	-0.032	564.99	422.86	439.78	321.29	262.09	219.18
		800	-0.030	601.49	450.19	468.19	342.06	279.04	233.35
		850	-0.029	637.98	477.51	496.61	362.82	295.98	247.52
		900	-0.027	674.47	504.84	525.03	383.59	312.92	261.68
	950	-0.026	710.96	532.16	553.44	404.35	329.86	275.85	
	1000	-0.024	747.45	559.48	581.85	425.12	346.80	290.02	

Distribution Partner:



**SCORPION
VISION**