



MVL-KF0618M-12MPE 1.1" 6mm 12MP FA LENS

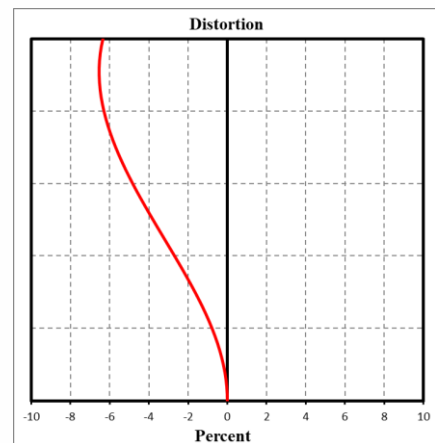
KF-E series FA Lens are optimized for machine vision light sources and sensor, with high resolution, excellent image quality, high transmittance and good stability. Featured with fixed focal length, manual aperture and compact size, it is suitable for machine vision industry applications and ideal for industrial cameras.



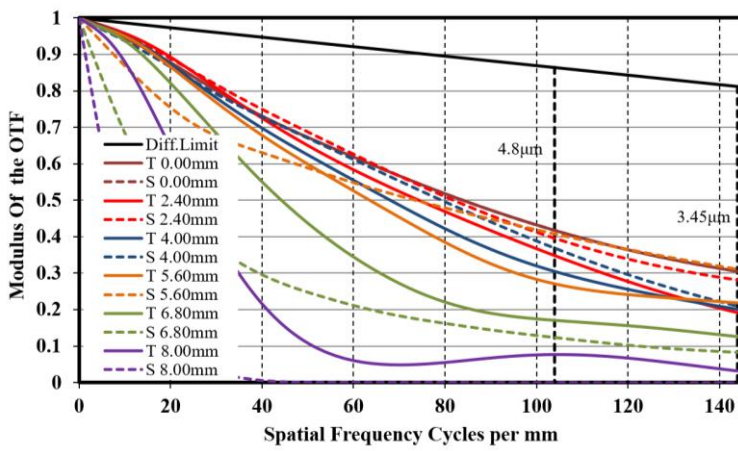
Key Features

- Ultra high resolution and consistency of image clarity
- Lower distortion
- Super high image peripheral brightness ratio
- Excellent optical properties are maintained at different object distances

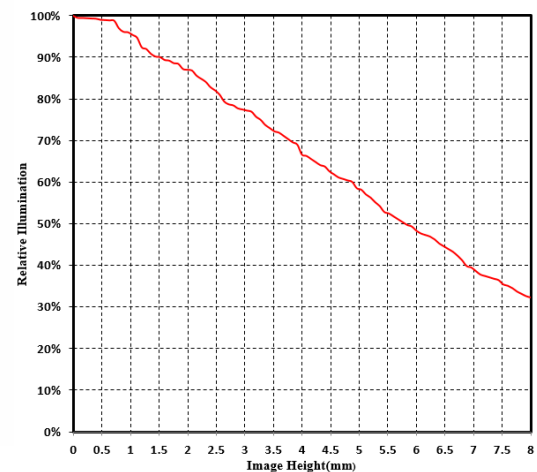
Distortion



MTF



Relative Illumination



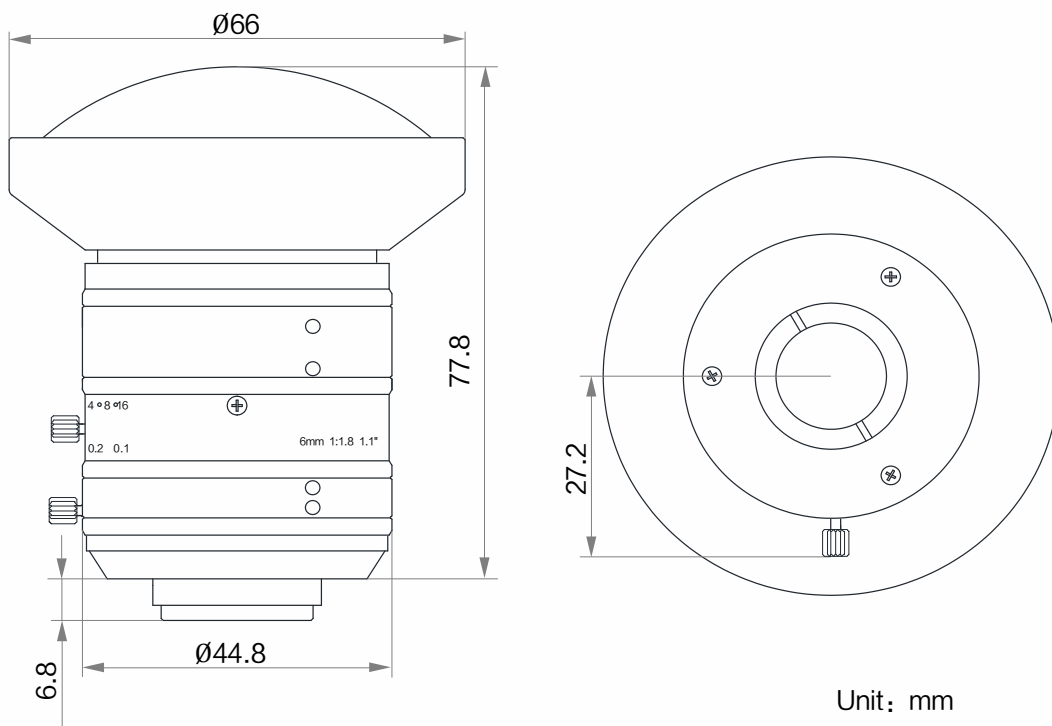
Note: The above curves are the simulate results based on F1.8, $\beta=-0.012$, WD=500 mm.



Specification

| | | |
|----------------------------|-------|---|
| | Model | MVL-KF0618M-12MPE |
| Parameter | | Fixed focal length, Manual iris, 12MP, FA lens |
| Performance | | |
| Focal Length | | 6 mm |
| F-Number | | F1.8 ~ F16 |
| Image Size | | Φ17.6 mm(1.1") |
| Distortion | | 2.5% |
| Minimum Operation Distance | | 0.1 m |
| Field of View | | D (17.52mm) : 118.2° H (14.14mm) : 104.9° V (10.35mm) : 86.2° |
| Mechanical | | |
| Iris Control | | Manual |
| Focus Control | | Manual |
| Mount | | C-Mount |
| Flange Back Length | | 17.526mm |
| Dimension | | Φ66 × 77.8 mm |
| Weight | | 353 g |
| Temperature | | -10 ~ 50°C |
| General | | |
| Certification | | RoHS2.0 |

Dimension



Field of View

| Extension (mm) | Working Distance(mm) | | Magnification | Field of View(mm) | | | | | |
|-------------------|-------------------------|--------|---------------|------------------------------|---------|---------------------------|---------|----------------------------|--------|
| | | | | 1.1'' (14.14mm × 10.35mm) | | 1'' (12.45mm × 9.83mm) | | 2/3'' (8.45mm × 7.07mm) | |
| | | | | H | V | H | V | H | V |
| 1 | near | 6.27 | -0.224 | 99.00 | 72.50 | 90.00 | 68.90 | 62.00 | 46.50 |
| | far | 21.56 | -0.142 | 63.00 | 46.14 | 57.00 | 43.64 | 40.00 | 30.00 |
| 0 | | 100 | -0.050 | 291.28 | 217.54 | 256.47 | 202.50 | 174.07 | 145.64 |
| | | 150 | -0.036 | 407.90 | 298.61 | 359.20 | 283.60 | 243.79 | 203.98 |
| | | 200 | -0.028 | 525.78 | 384.86 | 462.94 | 365.52 | 314.20 | 262.89 |
| | | 250 | -0.023 | 641.59 | 469.62 | 564.91 | 446.03 | 383.40 | 320.79 |
| | | 300 | -0.019 | 766.53 | 561.07 | 674.92 | 532.88 | 458.07 | 383.20 |
| | | 350 | -0.017 | 877.30 | 642.19 | 772.50 | 609.93 | 524.31 | 438.68 |
| | | 400 | -0.015 | 997.50 | 730.10 | 878.32 | 693.40 | 596.13 | 498.77 |
| | | 450 | -0.013 | 1120.00 | 820.00 | 986.42 | 778.83 | 669.50 | 560.16 |
| | | 500 | -0.012 | 1234.25 | 903.43 | 1086.73 | 858.00 | 737.58 | 617.10 |
| | | 550 | -0.011 | 1387.80 | 1015.83 | 1221.90 | 964.79 | 829.35 | 693.90 |
| | | 600 | -0.010 | 1506.37 | 1102.61 | 1326.30 | 1047.20 | 900.20 | 753.18 |
| | | 650 | -0.009 | 1629.10 | 1192.50 | 1434.45 | 1132.58 | 973.58 | 814.58 |
| | | 700 | -0.009 | 1748.93 | 1280.16 | 1539.91 | 1215.84 | 1045.10 | 874.46 |
| | | 800 | -0.008 | 1990.49 | 1456.90 | 1752.59 | 1383.77 | 1189.51 | 995.25 |
| | 900 | -0.007 | 2230.42 | 1632.59 | 1963.84 | 1550.57 | 1332.89 | 1115.21 | |
| | 1000 | -0.006 | 2473.33 | 1810.40 | 2177.70 | 1719.40 | 1478.10 | 1236.70 | |

Distribution Partner:



**SCORPION
VISION**