



MVL-HF3028M-6MPE

1/1.8" 30mm 6MP FA LENS

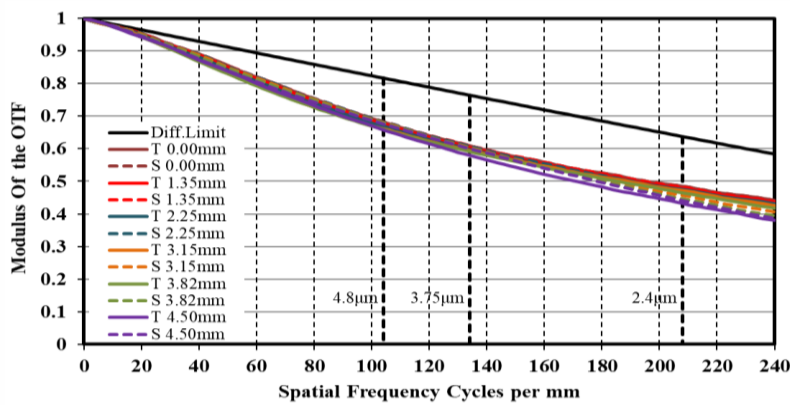
HF-E series FA Lens are optimized for machine vision light sources and sensor, with high resolution, excellent image quality, high transmittance and good stability. Featured with fixed focal length, manual aperture and compact size, it is suitable for machine vision industry applications and ideal for industrial cameras.



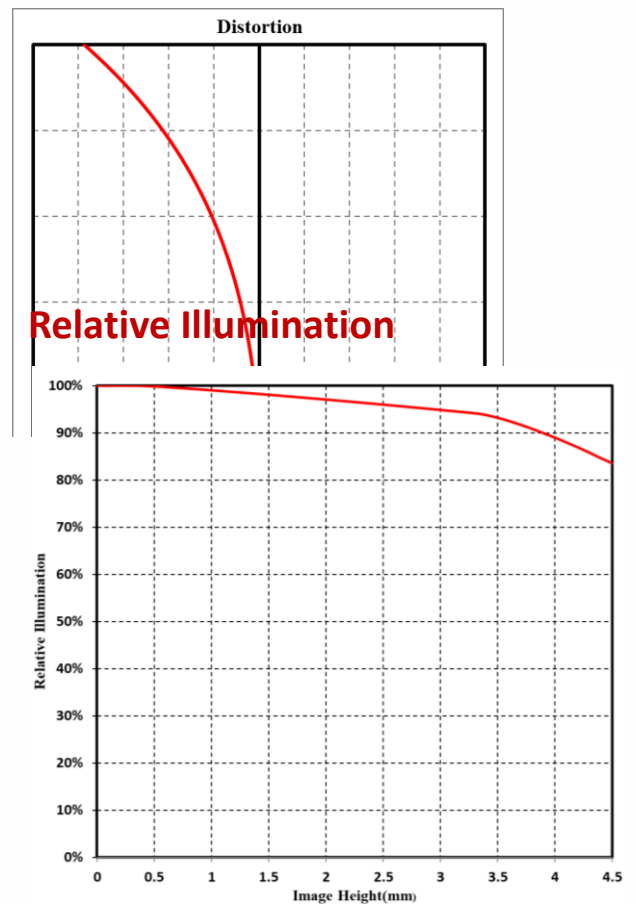
Key Features

- Higher image clarity and contrast ratio
- Ultra-low distortion and higher relative illumination rate
- Good optical performance at ultra-short working distance
- Compact design, convenient for device integration

MTF



Distortion



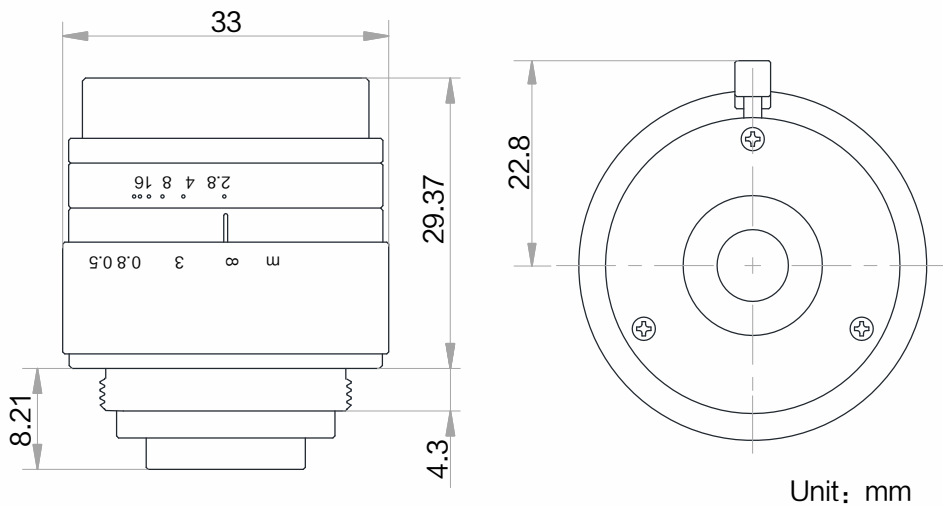
Note: The above curves are the simulate results based on F2.8, $\beta=-0.0603$, WD=500 mm.



Specification

Model	MVL-HF3028M-6MPE
Parameter	Fixed focal length, Manual iris, 6MP, FA Lens
Performance	
Focal Length	30 mm
F-Number	F2.8 ~ F16
Image Size	Φ9 mm(1/1.8'')
Distortion	-0.031%
Minimum Operation Distance	0.2 m
Field of View	D (8.96mm) : 16.99° H (7.38mm) : 14.01° V (4.92mm) : 9.38°
Mechanical	
Iris Control	Manual
Focus Control	Manual
Filter Thread	M27×P0.5
Mount	C-Mount
Flange Back Length	17.526 mm
Dimension	Φ33×29.4 mm
Weight	49.2 g
Temperature	-10 ~ 50°C
General	
Certification	RoHS2.0

Dimension



Field of View

Extension (mm)	Working Distance (mm)		Magnification	Field of View (mm)			
				1/1.8"		1/2"	
				H(7.38mm)	H(4.92mm)	H(6.22mm)	V(4.67mm)
10	near	62	-0.514	14.43	9.60	12.15	9.11
	far	111	-0.296	25.20	16.72	21.18	15.86
5	near	92	-0.329	22.57	15.01	19.00	14.25
	far	225	-0.148	50.03	33.29	42.12	31.59
2	near	134	-0.217	34.16	22.74	28.77	21.58
	far	569	-0.059	124.40	82.96	104.86	78.75
1	near	160	-0.179	41.26	27.47	34.75	26.07
	far	1141	-0.030	248.18	165.64	209.29	157.24
0		200	-0.142	52.09	34.69	43.88	32.93
		250	-0.115	64.29	42.82	54.16	40.64
		300	-0.097	76.21	50.76	64.20	48.18
		350	-0.084	87.94	58.58	74.09	55.60
		400	-0.074	99.52	66.31	83.85	62.94
		450	-0.067	111.00	73.97	93.53	70.21
		500	-0.060	122.40	81.57	103.14	77.43
		550	-0.055	133.73	89.14	112.70	84.61
		600	-0.051	145.00	96.66	122.20	91.75
		650	-0.047	156.23	104.16	131.67	98.86
		700	-0.044	167.42	111.63	141.11	105.95
		800	-0.039	189.70	126.50	159.90	120.08
		900	-0.035	211.88	141.31	178.61	134.14
	1000	-0.032	233.98	156.07	197.26	148.15	

Distribution Partner:



**SCORPION
VISION**