

MVL-HF1228M-6MPE 1/1.8" 12mm 6MP FA LENS

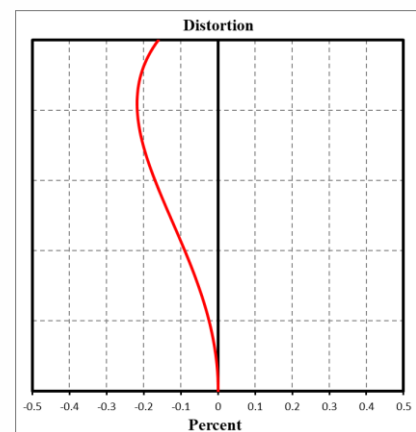
HF-E series FA Lens are optimized for machine vision light sources and sensor, with high resolution, excellent image quality, high transmittance and good stability. Featured with fixed focal length, manual aperture and compact size, it is suitable for machine vision industry applications and ideal for industrial cameras.



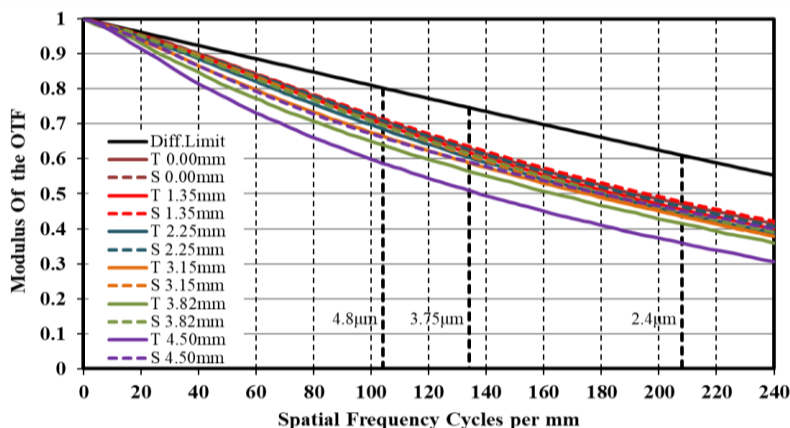
Key Features

- Higher image clarity and contrast ratio.
- Ultra-low distortion and higher relative illumination rate
- Good optical performance at ultra-short working distance
- Compact design, convenient for device integration

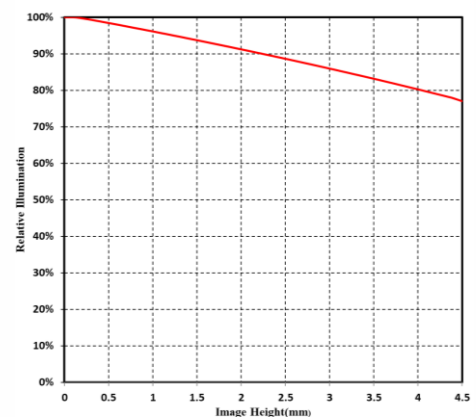
Distortion



MTF



Relative Illumination



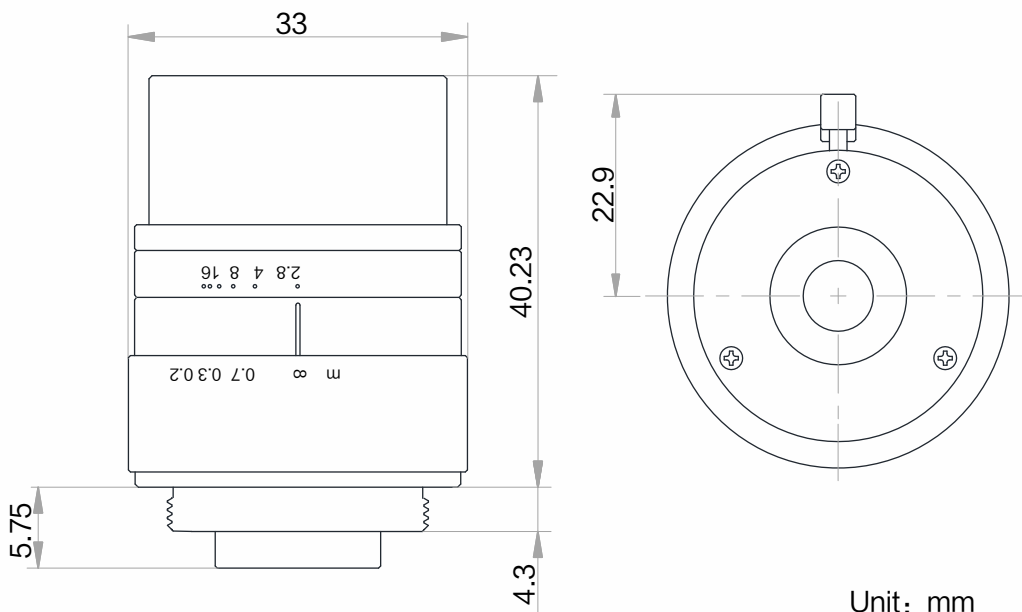
Note: The above curves are the simulate results based on F2.8, $\beta=-0.039$, WD=300 mm.



Specification

Model	MVL-HF1228M-6MPE
Parameter	Fixed focal length, Manual iris, 6MP, FA Lens
Performance	
Focal Length	12 mm
F-Number	F2.8 ~ F16
Image Size	Φ9 mm(1/1.8'')
Distortion	-0.005%
Minimum Operation Distance	0.1 m
Field of View	D (8.96mm) : 40.94° H (7.38mm) : 34.14° V (4.92mm) : 23.17°
Mechanical	
Iris Control	Manual
Focus Control	Manual
Filter Thread	M27×P0.5
Mount	C-Mount
Flange Back Length	17.526 mm
Dimension	Φ33×40.2 mm
Weight	61.7 g
Temperature	-10 ~ 50°C
General	
Certification	RoHS2.0

Dimension



Unit: mm

Field of View

Extension(mm)	Working Distance(mm)		Magnification	Field of View(mm)			
				1/1.8"		1/2"	
				H(7.38mm)	V(4.92mm)	H(6.22mm)	V(4.67mm)
2	near	31.86	-0.276	27.13	17.94	22.77	17.02
	far	63.42	-0.163	45.68	30.32	38.42	28.77
1	near	50.88	-0.192	38.94	25.80	32.72	24.48
	far	139.1	-0.082	90.87	60.48	76.53	57.39
0		100	-0.107	69.40	46.10	58.39	43.74
		150	-0.075	99.49	66.17	83.77	62.80
		200	-0.057	129.46	86.18	109.04	81.78
		250	-0.046	159.38	106.14	134.28	100.74
		300	-0.039	189.27	126.09	159.49	119.67
		350	-0.034	219.13	146.03	184.69	138.60
		400	-0.030	248.99	165.97	209.88	157.52
		450	-0.027	278.84	185.89	235.06	176.44
		500	-0.024	308.68	205.82	260.23	195.35
		550	-0.022	338.53	225.74	285.41	214.26
		600	-0.020	368.36	245.66	310.58	233.16
		650	-0.019	398.20	265.57	335.75	252.07
		700	-0.017	428.03	285.49	360.91	270.98
		800	-0.015	487.69	325.32	411.25	308.78
		900	-0.013	547.35	365.15	461.57	346.59
	1000	-0.012	607.00	404.98	511.90	384.39	

Distribution Partner:



**SCORPION
VISION**