

MV-CU013-A0GM/GC

1.3 MP 1/2" CMOS GigE Area Scan Camera



GEN*<i>i>*CAM

GigE
VISION

Introduction

MV-CU013-A0GM/GC camera provides high-quality images. It uses GigE interface to transmit non-compressed images in real time, and its max. frame rate can reach 91.3 fps in full resolution.

Key Feature

- Adopts low consumption design with stable performance.
- Supports auto or manual adjustment of gain, exposure time, and manual adjustment of LUT, Gamma correction, etc.
- Supports hardware trigger, software trigger, free run, etc.
- Adopts GigE interface and max. transmission distance of 100 meters without relay.
- Compatible with GigE Vision V2.0 Protocol, GeniCam Standard, and third-party software based on the protocol and standard.

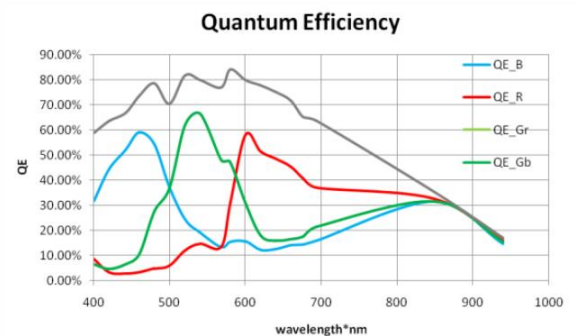
Available Model

- Mono camera: MV-CU013-A0GM
- Color camera: MV-CU013-A0GC

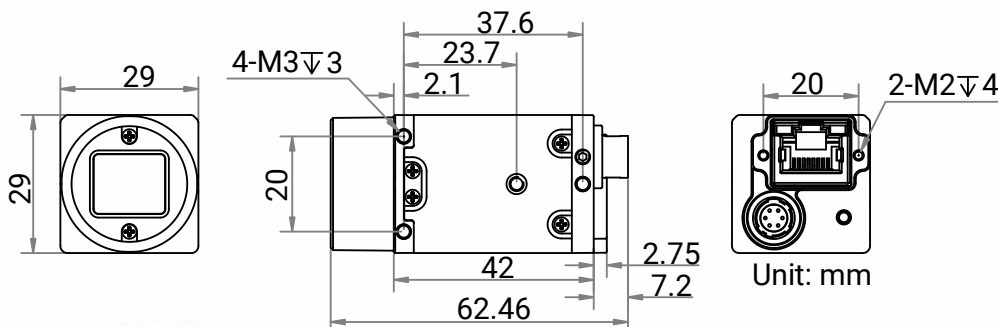
Applicable Industry

Electronics and semiconductor, factory automation, logistics and code reading, medicine package, etc.

Sensor Quantum Efficiency



Dimension



Specification

Model	MV-CU013-A0GM	MV-CU013-A0GC
Camera		
Sensor type	CMOS, global shutter	
Pixel size	4.8 μm \times 4.8 μm	
Sensor size	1/2"	
Resolution	1280 \times 1024	
Max. frame rate	91.3 fps@1280 \times 1024 Mono 8	91.3 fps@1280 \times 1024 Bayer GB 8
Dynamic range	54 dB	
SNR	40.6 dB	
Gain	0 dB to 16 dB	
Exposure time	10 μs to 10 sec	
Exposure mode	Off/Once/Continuous exposure mode	
Mono/color	Mono	Color
Pixel format	Mono 8/10/10Packed/12/12Packed	Bayer GB 8/10/10Packed/12/12Packed
Binning	Supports 1 \times 1, 2 \times 2, 4 \times 4	
Decimation	Supports 1 \times 1, 2 \times 2, 4 \times 4	
Reverse image	Supports horizontal and vertical reverse image output	
Electrical features		
Data interface	Gigabit Ethernet, compatible with Fast Ethernet	
Digital I/O	6-pin P7 connector provides power and I/O, including opto-isolated input \times 1 (Line 0), opto-isolated output \times 1 (Line 1), bi-directional non-isolated I/O \times 1 (Line 2).	
Power supply	9 VDC to 24 VDC, PoE is optional	
Power consumption	Typ. 1.8 W@12 VDC	
Mechanical		
Lens mount	C-Mount	
Dimension	29 mm \times 29 mm \times 42 mm (1.1" \times 1.1" \times 1.7")	
Weight	Approx. 100 g (0.2 lb.)	
Ingress protection	IP30 (under proper lens installation and wiring)	
Temperature	Working temperature: 0 $^{\circ}\text{C}$ to 50 $^{\circ}\text{C}$ (32 $^{\circ}\text{F}$ to 122 $^{\circ}\text{F}$) Storage temperature: -30 $^{\circ}\text{C}$ to 70 $^{\circ}\text{C}$ (-22 $^{\circ}\text{F}$ to 158 $^{\circ}\text{F}$)	
Humidity	20% to 95% RH, non-condensing	
General		
Client software	MVS or third-party software meeting with GigE Vision Protocol	
Operating system	32/64-bit Windows XP/7/10, 32/64-bit Linux and 64-bit MacOS	
Compatibility	GigE Vision V2.0, GenICam	
Certification	CE, FCC, RoHS, KC	

Distribution Partner:



**SCORPION
VISION**