

MV-CS040-A0UM/UC

4 MP 1" CMOS USB3.0 Area Scan Camera



GEN*i*CAM

USBTM VISION

Introduction

MV-CS040-A0UM/UC camera adopts CMOS sensor to provide high-quality images. It uses USB3.0 interface to transmit non-compressed images in real time, and its max. frame rate can reach 90.1 fps in full resolution.

Key Feature

- Adopts global shutter CMOS sensor providing high signal-to-noise ratio, wide dynamic range and high quality images.
- Resolution of 2048 × 2048, pixel size of 5.5 μm × 5.5 μm.
- Supports hardware trigger, software trigger, free run.
- Compact design with mounting holes on panels for flexible mounting from 4 sides.
- Compatible with USB3 Vision Protocol, GenICam Standard, and the third-party software based on the protocol and standard.

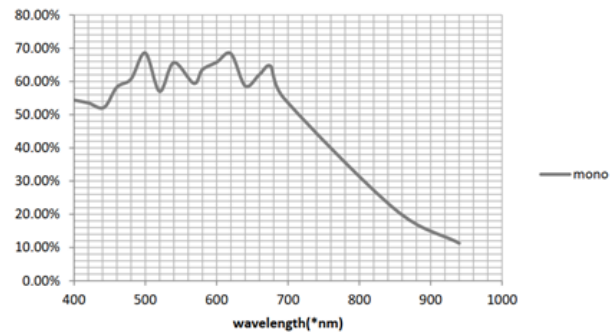
Available Model

- Mono camera: MV-CS040-A0UM
- Color camera: MV-CS040-A0UC

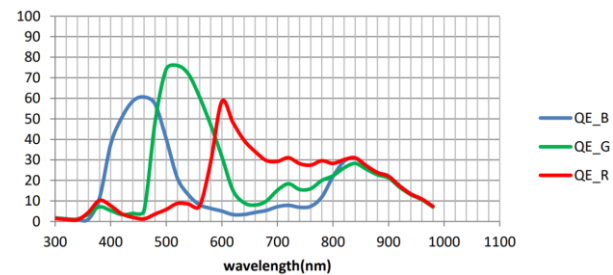
Applicable Industry

Electronics and semiconductor, factory automation, medicine package, etc.

Sensor Quantum Efficiency

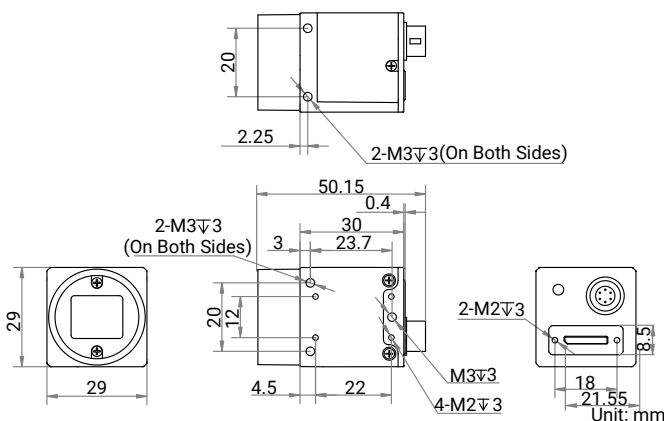


MV-CS040-A0UM



MV-CS040-A0UC

Dimension



Specification

Model	MV-CS040-A0UM	MV-CS040-A0UC
Performance		
Sensor type	CMOS, global shutter	
Pixel size	5.5 μm \times 5.5 μm	
Sensor size	1"	
Resolution	2048 \times 2048	
Max. frame rate	90.1 fps @2048 \times 2048 Mono 8	90.1 fps @2048 \times 2048 Bayer GB 8
Dynamic range	59.7 dB	
SNR	39.6 dB	
Gain	0 dB to 12 dB	
Exposure time	30 μs to 10 sec	
Exposure mode	Off/Once/Continuous exposure mode	
Mono/color	Mono	Color
Pixel format	Mono 8/10/10Packed/12/12Packed	Mono 8/10/12, Bayer GB 8/10/10Packed/12/12Packed, YUV422Packed, YUV422_YUYV_Packed, RGB 8, BGR 8
Binning	Supports 1 \times 1, 2 \times 2	Supports 1 \times 1, 2 \times 2, 4 \times 4
Decimation	Supports 1 \times 1, 2 \times 2	Supports 1 \times 1, 2 \times 2, 4 \times 4
Reverse image	Supports horizontal and vertical reverse image output	
Electrical features		
Data interface	USB3.0, compatible with USB2.0	
Digital I/O	6-pin P7 connector provides power and I/O, including opto-isolated input \times 1 (Line 0), opto-isolated output \times 1 (Line 1), bi-directional non-isolated I/O \times 1 (Line 2).	
Power supply	9 VDC to 24 VDC, supports USB3.0 power supply	
Power consumption	Typ. 2.4 W@5 VDC (USB3.0 provides power supply)	
Mechanical		
Lens mount	C-mount	
Dimension	29 mm \times 29 mm \times 30 mm (1.1" \times 1.1" \times 1.2")	
Weight	Approx. 88 g (0.2 lb.)	
Ingress protection	IP40 (under proper lens installation and wiring)	
Temperature	Working temperature: -30 $^{\circ}\text{C}$ to 60 $^{\circ}\text{C}$ (-22 $^{\circ}\text{F}$ to 140 $^{\circ}\text{F}$) Storage temperature: -30 $^{\circ}\text{C}$ to 70 $^{\circ}\text{C}$ (-22 $^{\circ}\text{F}$ to 158 $^{\circ}\text{F}$)	
Humidity	20% to 95% RH, non-condensing	
General		
Client software	MVS or third-party software meeting with USB3 Vision Protocol	
Operating system	32/64-bit Windows XP/7/10, 64-bit Windows 11, 32/64-bit Linux and 64-bit MacOS	
Compatibility	USB3 Vision, GenICam	
Certification	CE, RoHS, KC	

Distribution Partner:



**SCORPION
VISION**

Hangzhou Hikrobot Co. Ltd.
en.hikrobotics.com

shop.scorpion.vision +44 (0) 1590 679333 sales@scorpion.vision

© Hangzhou Hikrobot Co., Ltd. All Rights Reserved.

Hangzhou Hikrobot does not tolerate any infringement. Any organization or individual may not imitate or reproduce in whole or in part of the content. The data herein is based on Hikrobot's internal evaluation. Actual data may vary depending on specific configuration and operating condition. The information herein is subject to change without notice. All the content has been checked conscientiously. Nevertheless, Hikrobot shall not be liable to damages resulting from errors, inconsistencies or omissions.