

# MV-CS023-10GM/GC

2.3 MP 1/1.2" CMOS GigE Area Scan Camera



**GEN*i*CAM**

**GigE**  
VISION

## Introduction

MV-CS023-10GM/GC camera adopts Sony® IMX249 sensor to provide high-quality images. It uses GigE interface to transmit non-compressed images in real time, and its max. frame rate can reach 41 fps in full resolution.

## Key Feature

- Adopts brand new design to reduce power consumption.
- Compact design with mounting holes on panels for flexible mounting from 4 sides.
- Supports auto or manual adjustment for gain, exposure control, LUT, Gamma correction, etc.
- Supports hard trigger, software trigger, free run, etc.
- Compatible with GigE Vision V2.0 Protocol, GenCam Standard, and third-party software based on the protocol and standard.

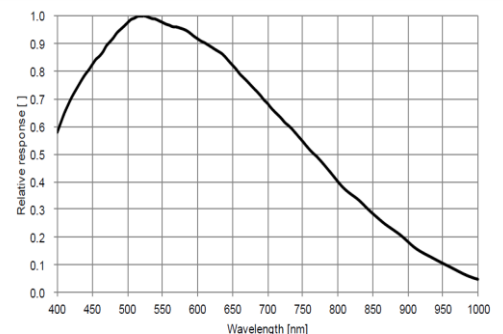
## Available Model

- Mono: MV-CS023-10GM
- Color: MV-CS023-10GC

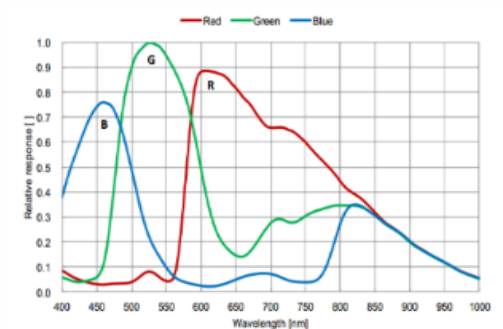
## Applicable Industry

Electronic semiconductor, factory automation, food and beverage, medical packaging, etc.

## Sensor Quantum Efficiency

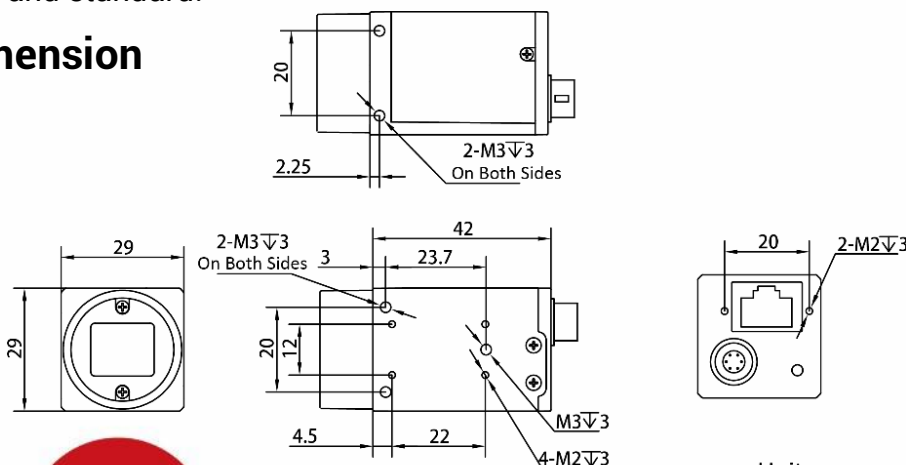


MV-CS023-10GM



MV-CS023-10GC

## Dimension



# Specification

Model	MV-CS023-10GM	MV-CS023-10GC
<b>Performance</b>		
Sensor type	CMOS, global shutter	
Sensor model	Sony® IMX249	
Pixel size	5.86 μm × 5.86 μm	
Sensor size	1/1.2"	
Resolution	1920 × 1200	
Max. frame rate	41 fps @1920 × 1200 Mono 8	41 fps @1920 × 1200 Bayer RG 8
Dynamic range	72.6 dB	
SNR	44.9 dB	
Gain	0 dB to 24 dB	
Exposure time	15 μs to 10 sec	
Exposure mode	Off/Once/Continuous exposure mode	
Mono/color	Mono	Color
Pixel format	Mono 8/10/10Packed/12/12Packed	Mono 8/10/12, Bayer RG 8/10/10Packed/12/12Packed, YUV422Packed, YUV422_YUYV_Packed RGB 8, BGR 8
Binning	Supports 1 × 1, 2 × 2, 4 × 4	
Decimation	Supports 1 × 1, 2 × 2, 4 × 4	
Reverse image	Supports horizontal and vertical reverse image output	
<b>Electrical features</b>		
Data interface	Gigabit Ethernet, compatible with Fast Ethernet	
Digital I/O	6-pin P7 connector provides power and I/O, including opto-isolated input × 1 (Line 0), opto-isolated output × 1 (Line 1), bi-directional non-isolated I/O × 1 (Line 2).	
Power supply	9 VDC to 24 VDC, supports PoE	
Power consumption	Typ. 2.2 W@12 VDC	Typ. 2.6 W@12 VDC
<b>Mechanical</b>		
Lens mount	C-Mount	
Dimension	29 mm × 29 mm × 42 mm (1.1" × 1.1" × 1.2")	
Weight	Approx. 100 g (0.22 lb.)	
Ingress protection	IP40 (under proper lens installation and wiring)	
Temperature	Working temperature: -30 °C to 60 °C (-22 °F to 140 °F) Storage temperature: -30 °C to 70 °C (-22 °F to 158 °F)	
Humidity	20% to 95% RH, non-condensing	
<b>General</b>		
Client software	MVS or third-party software meeting with GigE Vision Protocol	
Operating system	32/64-bit Windows XP/7/10, 32/64-bit Linux and 64-bit MacOS	
Compatibility	GigE Vision V2.0, GenICam	
Certification	CE, FCC, RoHS, KC	

Distribution Partner:



# SCORPION VISION