

# MV-CS020-10GM/GC

2 MP 1/1.7" CMOS GigE Area Scan Camera



**GEN*i*CAM**

**GigE**  
VISION

## Introduction

MV-CS020-10GM/GC camera adopts Sony® IMX430 sensor to provide high-quality images. It uses GigE interface to transmit non-compressed images in real time, and its max. frame rate can reach 60 fps in full resolution.

## Key Feature

- Adopts brand new design to reduce power consumption.
- Compact design with mounting holes on panels for flexible mounting from 4 sides.
- Supports sequencer, contrast ratio, super palette, etc.
- Supports hard trigger, software trigger, free run, etc.
- Compatible with GigE Vision V2.0 Protocol, GenICam Standard, and third-party software based on the protocol and standard.

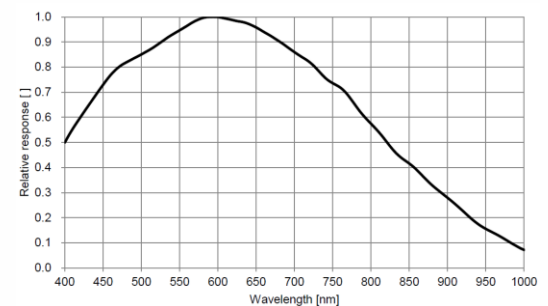
## Available Model

- Mono: MV-CS020-10GM
- Color: MV-CS020-10GC

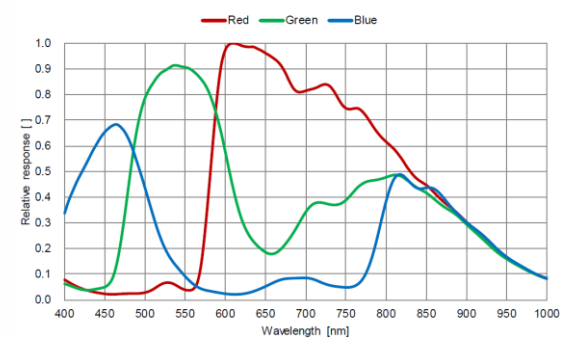
## Applicable Industry

Electronic semiconductor, new energy, medical packaging, etc.

## Sensor Quantum Efficiency

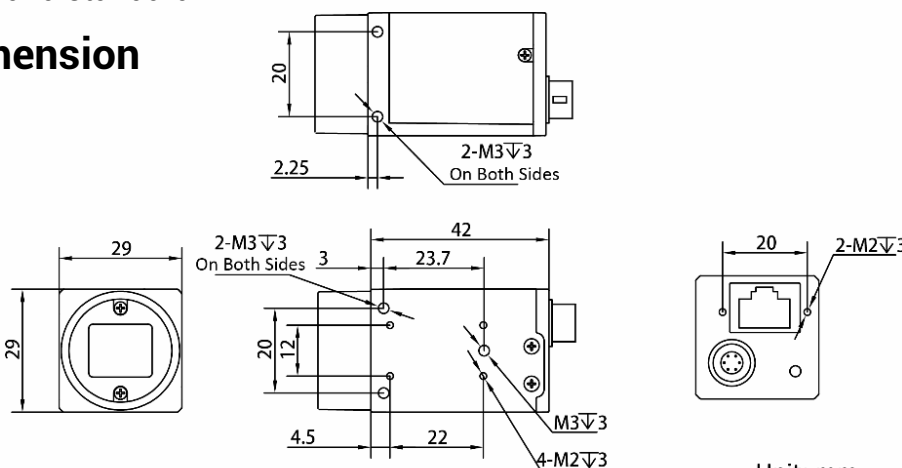


MV-CS020-10GM



MV-CS020-10GC

## Dimension



# Specification

| Model                      | MV-CS020-10GM   | MV-CS020-10GC  |
|----------------------------|---|--|
| <b>Camera</b>              |   |  |
| Sensor type                | CMOS, global shutter  |  |
| Sensor model               | Sony® IMX430  |  |
| Pixel size                 | 4.5 µm × 4.5 µm   |  |
| Sensor size                | 1/1.7"  |  |
| Resolution                 | 1624 × 1240   |  |
| Max. frame rate            | 60 fps @1624 × 1240 Mono 8  | 60 fps @1624 × 1240 Bayer RG 8   |
| Dynamic range              | 72.1 dB   |  |
| SNR                        | 43.8 dB   |  |
| Gain                       | 0 dB to 24 dB   |  |
| Exposure time              | UltraShort exposure mode: 1 µs to 5 µs  |  |
|                            | Standard exposure mode: 6 µs to 10 sec  |  |
| Exposure mode              | Off/Once/Continuous exposure mode   |  |
| Mono/color                 | Mono  | Color  |
| Pixel format               | Mono 8/10/10Packed/12/12Packed  | Mono 8/10/12,<br>Bayer RG 8/10/10Packed/12/12Packed,<br>YUV422Packed, YUV422_YUYV_Packed<br>RGB 8, BGR 8 |
| Binning                    | Supports 1 × 1, 2 × 2   |  |
| Decimation                 | Supports 1 × 1, 2 × 2   |  |
| Reverse image              | Supports horizontal and vertical reverse image output   |  |
| <b>Electrical features</b> |   |  |
| Data interface             | Gigabit Ethernet, compatible with Fast Ethernet   |  |
| Digital I/O                | 6-pin P7 connector provides power and I/O, including opto-isolated input × 1 (Line 0), opto-isolated output × 1 (Line 1), bi-directional non-isolated I/O × 1 (Line 2). |  |
| Power supply               | 9 VDC to 24 VDC, supports PoE   |  |
| Power consumption          | Typ. 2.8 W@12 VDC   | Typ. 3.0 W@12 VDC  |
| <b>Mechanical</b>          |   |  |
| Lens mount                 | C-Mount   |  |
| Dimension                  | 29 mm × 29 mm × 42 mm (1.1" × 1.1" × 1.2")  |  |
| Weight                     | Approx. 100 g (0.22 lb.)  |  |
| Ingress protection         | IP40 (under proper lens installation and wiring)  |  |
| Temperature                | Working temperature: -30 °C to 60 °C (-22 °F to 140 °F)   |  |
|                            | Storage temperature: -30 °C to 70 °C (-22 °F to 158 °F)   |  |
| Humidity                   | 20% to 95% RH, non-condensing   |  |
| <b>General</b>             |   |  |
| Client software            | MVS or third-party software meeting with GigE Vision Protocol   |  |
| Operating system           | 32/64-bit Windows XP/7/10, 32/64-bit Linux and 64-bit MacOS   |  |
| Compatibility              | GigE Vision V2.0, GenICam   |  |
| Certification              | CE, FCC, RoHS, KC   |  |

Distribution Partner:



# SCORPION VISION