

MV-CL086-91CC

8192 P Camera Link Line Scan Camera



GEN*i*CAM



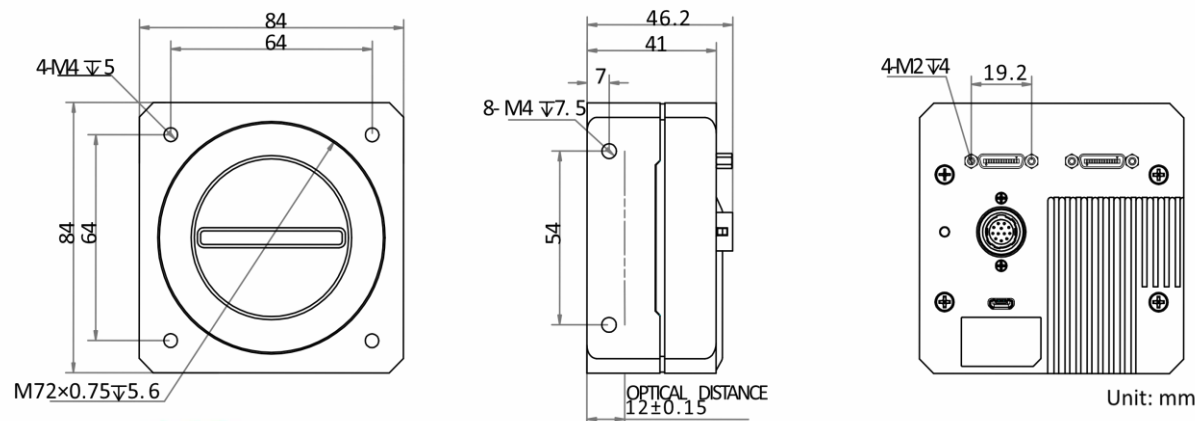
Introduction

MV-CL086-91CC camera uses Camera Link interface to transmit images, and its max. line rate can reach 33.7 kHz. It supports RGB true color, TDI, and ISP image signal processing technology. It is applicable to new energy, consumer electronics, PCB, printing, and other industries.

Key Feature

- Supports configuration modes of Base, Medium and 80-bit via the Camera Link interface.
- Supports TDI function to select different image modes.
- Supports exposure time and gain adjustment, PRNUC correction, LUT, Gamma correction, etc.
- Adopts compact design and supports flexible installation.
- Compatible with Camera Link Protocol and GeniCam Standard.

Dimension



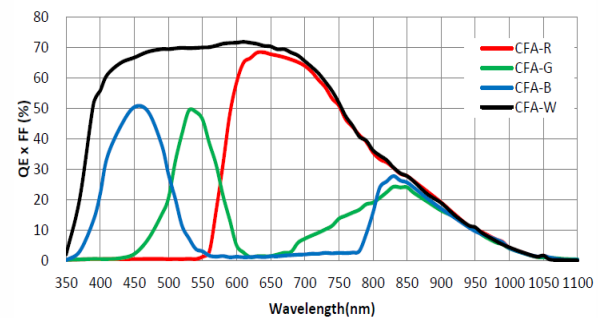
Available Model

MV-CL086-91CC

Applicable Industry

New energy, consumer electronics, PCB, printing, etc.

Sensor Quantum Efficiency



Specification

Model	MV-CL086-91CC
Camera	
Sensor type	CMOS
Pixel size	5 μm
Resolution	8192 \times 6
Image mode	Supports 1-line, 2-TDI
Max. line rate	10.1 kHz (Base), 20.2 kHz (Medium), 33.7 kHz (80-bit)
Configuration mode	Base, Medium, 80-bit
Tap geometry	1 \times 1, 1 \times 2, 1 \times 10
Tap number	1 Tap, 2 Taps, 10 Taps
Pixel clock	40 MHz, 66 MHz, 80 MHz, 85 MHz
Dynamic range	62 dB
SNR	40 dB
Gain	Supports 1.2 \times , 2.7 \times , 3.0 \times , 3.5 \times , 4.6 \times , 6.2 \times
Exposure time	3 μs to 10 ms
Exposure mode	Off/ Once/ Continuous exposure mode; supports fixed exposure time, trigger-width exposure
Mono/color	Color
Pixel format	RGB 8, BGR 8, Mono 8
Binning	Supports 1 \times 1, 2 \times 2, 4 \times 4
Reverse image	Supports horizontal reverse image output
Trigger mode	External trigger, internal trigger
External trigger mode	Line trigger, frame trigger, line + frame trigger
Electrical features	
Data interface	Camera Link; USB interface for updating firmware
Digital I/O	12-pin P10 connector provides power and I/O: configurable input and output \times 4 (Line 0/1/3/4), and support single-end/differential. Camera Link provides I/O (CC1/CC2/CC3/CC4).
Power supply	12 VDC to 24 VDC
Power consumption	Typ. 9.6 W@12 VDC
Mechanical	
Lens mount	M72*0.75, optical back focal length: 12 mm (0.5"), applicable to F-mount via lens adapter
Dimension	84 mm \times 84 mm \times 46.2 mm (3.3" \times 3.3" \times 1.8")
Weight	Approx. 476 g (1.0 lb.)
Ingress protection	IP40 (under proper lens installation and wiring)
Temperature	Working temperature: -20 $^{\circ}\text{C}$ to 55 $^{\circ}\text{C}$ (-4 $^{\circ}\text{F}$ to 131 $^{\circ}\text{F}$) Storage temperature: -30 $^{\circ}\text{C}$ to 80 $^{\circ}\text{C}$ (-22 $^{\circ}\text{F}$ to 176 $^{\circ}\text{F}$)
Humidity	5% to 90% RH, non-condensing
General	
Client software	MVS and frame grabber software meeting with Camera Link Protocol
Operating system	32/64-bit Windows 7/10
Compatibility	Camera Link V1.2, GenICam
Certification	CE, FCC, RoHS2.0, KC

Distribution Partner:



**SCORPION
VISION**