

# MV-CL084-91GM

8192 P CMOS GigE Line Scan Camera



GEN*i*CAM

GIG*E*  
VISION

## Introduction

MV-CL084-91GM camera adopts CMOS sensor to provide high-quality image, and uses GigE interface to transmit images in real time. It adopts multiple ISP image algorithms and functions, and supports external trigger modes like line trigger, frame trigger, and trigger-width exposure.

## Key Feature

- Supports image compression mode, TDI, trigger-width exposure, etc.
- Supports manual adjustment for Gamma correction, PRNUC correction, LUT, black level, etc.
- Adopts bi-directional I/O hardware design.
- Compact design and flexible installation.
- Compatible with GigE Vision V2.0 and GenICam standard.

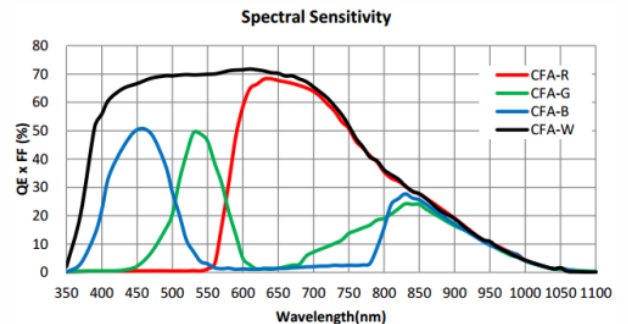
## Available Model

MV-CL084-91GM

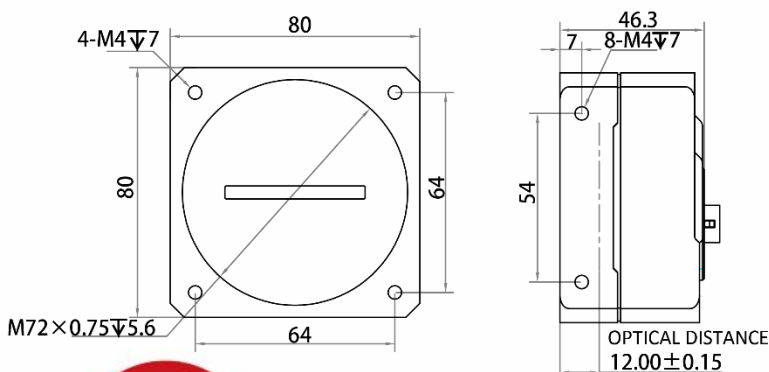
## Applicable Industry

Printing, textiles, railway, logistics, metallurgy, food, pharmaceutical manufacturing, material sorting, etc.

## Sensor Quantum Efficiency



## Dimension



# Specification

<b>Model</b>	<b>MV-CL084-91GM</b>
<b>Camera</b>	
<b>Sensor type</b>	CMOS
<b>Pixel size</b>	5 $\mu$ m
<b>Resolution</b>	8192 $\times$ 4
<b>Image mode</b>	Supports 1-line, 2-TDI, 4-TDI
<b>Max. line rate</b>	14 kHz @Mono 8, 7 kHz @Mono 10/12, 9.4 kHz @Mono 10p/12p Image compression mode: 40 kHz @Mono 8, 20 kHz @Mono 10/12
<b>Dynamic range</b>	54.8 dB
<b>SNR</b>	40.3 dB
<b>Gain</b>	Supports 1.2 $\times$ , 2.7 $\times$ , 4.6 $\times$
<b>Exposure time</b>	3 $\mu$ s to 10 ms
<b>Exposure mode</b>	Off/ Once/ Continuous exposure mode, and supports trigger-width exposure
<b>Mono/color</b>	Mono
<b>Pixel format</b>	Mono 8/10/10p/12/12p
<b>Binning</b>	Supports 1 $\times$ 1, 1 $\times$ 2, 1 $\times$ 4, 2 $\times$ 1, 2 $\times$ 2, 2 $\times$ 4, 4 $\times$ 1, 4 $\times$ 2, 4 $\times$ 4
<b>Reverse image</b>	Supports horizontal reverse image output
<b>Trigger mode</b>	External trigger, internal trigger
<b>External trigger mode</b>	Line trigger, frame trigger, line + frame trigger
<b>Electrical feature</b>	
<b>Data interface</b>	Gigabit Ethernet, compatible with Fast Ethernet
<b>Digital I/O</b>	12-pin Hirose connector provides power and I/O: configurable input or output $\times$ 4 (Line 0/1/3/4) and support single-ended/differential
<b>Power supply</b>	12 VDC to 24 VDC
<b>Power consumption</b>	Typ. 12.4 W@12 VDC
<b>Mechanical</b>	
<b>Lens mount</b>	M72 *0.75, optical back focal length: 12 mm (0.5")
<b>Dimension</b>	80 mm $\times$ 80 mm $\times$ 46.3 mm (3.1" $\times$ 3.1" $\times$ 1.8")
<b>Weight</b>	Approx. 465 g (1.0 lb.)
<b>Ingress protection</b>	IP40 (under proper lens installation and wiring)
<b>Temperature</b>	Working temperature: -20 $^{\circ}$ C to 55 $^{\circ}$ C (-4 $^{\circ}$ F to 131 $^{\circ}$ F) Storage temperature: -30 $^{\circ}$ C to 80 $^{\circ}$ C (-22 $^{\circ}$ F to 176 $^{\circ}$ F)
<b>Humidity</b>	5% to 90% RH, non-condensing
<b>General</b>	
<b>Client software</b>	MVS or the third-party software meeting with GigE Vision protocol
<b>Operating system</b>	32/64-bit Windows XP/7/10, 32/64-bit Linux, and 64-bit MacOS
<b>Compatibility</b>	GigE Vision V2.0, GenICam
<b>Certification</b>	CE, FCC, RoHS, KC

Distribution Partner:



# SCORPION VISION