

# MV-CL084-91CM

8192 P Camera Link Line Scan Camera



GEN<i>i</i>CAM



## Introduction

MV-CL084-91CM camera uses Camera Link interface to transmit images, and its max. line rate can reach 100 kHz. It supports TDI, ISP image signal processing technology, and different image modes. It is applicable to new energy, consumer electronics, screen detection, metallurgy, and other industries.

## Key Feature

- Supports configuration modes of Base, Medium, Full and 80-bit via the Camera Link interface.
- Supports TDI function to select different image modes.
- Supports exposure time and gain adjustment, PRNUC correction, LUT, Gamma correction, etc.
- Adopts compact design and supports flexible installation.
- Compatible with Camera Link Protocol and GenICam Standard.

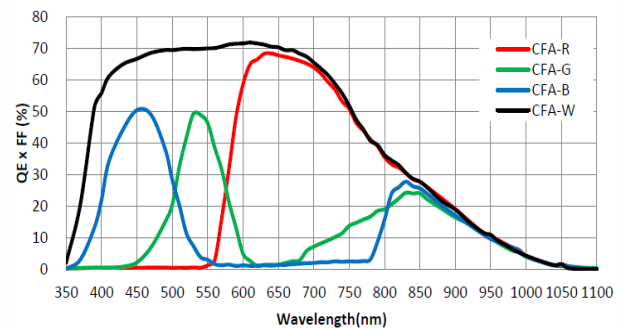
## Available Model

MV-CL084-91CM

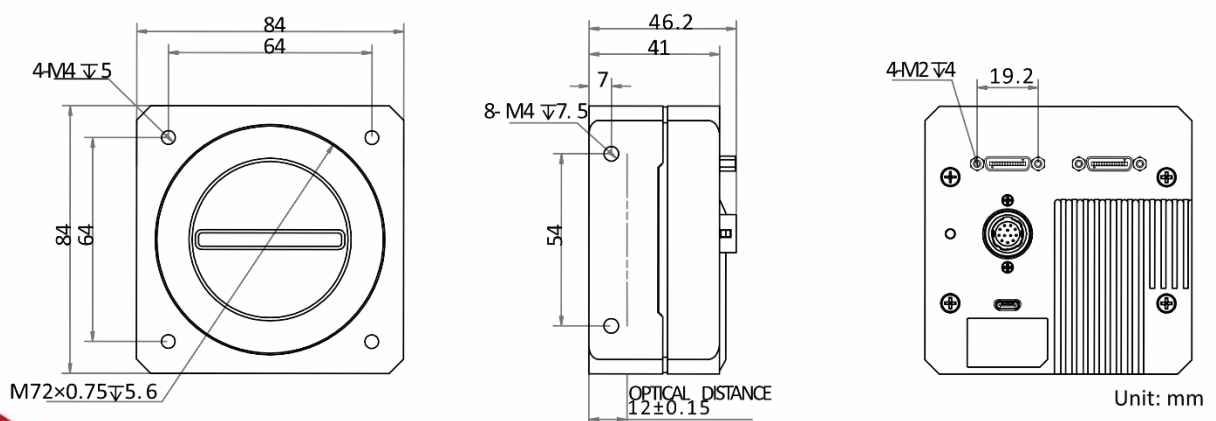
## Applicable Industry

New energy, consumer electronics, screen detection, metallurgy, etc.

## Sensor Quantum Efficiency



## Dimension



# Specification

<b>Model</b>	<b>MV-CL084-91CM</b>
<b>Camera</b>	
<b>Sensor type</b>	CMOS
<b>Pixel size</b>	5 $\mu$ m
<b>Resolution</b>	8192 $\times$ 4
<b>Image mode</b>	Supports 1-line, 2-TDI, 4-TDI
<b>Max. line rate</b>	20 kHz (Base), 40 kHz (Medium), 80 kHz (Full), 100 kHz (80-bit)
<b>Configuration mode</b>	Base, Medium, Full, 80-bit
<b>Tap geometry</b>	1 $\times$ 2, 1 $\times$ 4, 1 $\times$ 8, 1 $\times$ 10
<b>Tap number</b>	2 Taps, 4 Taps, 8 Taps, 10 Taps
<b>Pixel clock</b>	40 MHz, 66 MHz, 80 MHz, 85 MHz
<b>Dynamic range</b>	62 dB
<b>SNR</b>	42 dB
<b>Gain</b>	Supports 1.2 $\times$ , 2.7 $\times$ , 3.0 $\times$ , 3.5 $\times$ , 4.6 $\times$ , 6.2 $\times$
<b>Exposure time</b>	3 $\mu$ s to 10 ms
<b>Exposure mode</b>	Off/ Once/ Continuous exposure mode; supports fixed exposure time, trigger-width exposure
<b>Mono/color</b>	Mono
<b>Pixel format</b>	Mono 8/10/12
<b>Binning</b>	Supports 1 $\times$ 1, 2 $\times$ 2, 4 $\times$ 4
<b>Reverse image</b>	Supports horizontal reverse image output
<b>Trigger mode</b>	External trigger, internal trigger
<b>External trigger mode</b>	Line trigger, frame trigger, line + frame trigger
<b>Electrical features</b>	
<b>Data interface</b>	Camera Link; USB interface for updating firmware
<b>Digital I/O</b>	12-pin P10 connector provides power and I/O: configurable input and output $\times$ 4 (Line 0/1/3/4), and support single-end/differential. Camera Link provides I/O (CC1/CC2/CC3/CC4).
<b>Power supply</b>	12 VDC to 24 VDC
<b>Power consumption</b>	Typ. 9.7 W@12 VDC
<b>Mechanical</b>	
<b>Lens mount</b>	M72*0.75, optical back focal length: 12 mm (0.5"), applicable to F-mount via lens adapter
<b>Dimension</b>	84 mm $\times$ 84 mm $\times$ 46.2 mm (3.3" $\times$ 3.3" $\times$ 1.8")
<b>Weight</b>	Approx. 476 g (1.0 lb.)
<b>Ingress protection</b>	IP40 (under proper lens installation and wiring)
<b>Temperature</b>	Working temperature: -20 $^{\circ}$ C to 55 $^{\circ}$ C (-4 $^{\circ}$ F to 131 $^{\circ}$ F) Storage temperature: -30 $^{\circ}$ C to 80 $^{\circ}$ C (-22 $^{\circ}$ F to 176 $^{\circ}$ F)
<b>Humidity</b>	5% to 90% RH, non-condensing
<b>General</b>	
<b>Client software</b>	MVS and frame grabber software meeting with Camera Link Protocol
<b>Operating system</b>	32/64-bit Windows 7/10
<b>Compatibility</b>	Camera Link V1.2, GenICam
<b>Certification</b>	CE, FCC, RoHS2.0, KC

Distribution Partner:



**SCORPION  
VISION**