

MV-CL042-91CM/CC

4096 P Camera Link Line Scan Camera

GEN*i*CAM

CAMERA Link



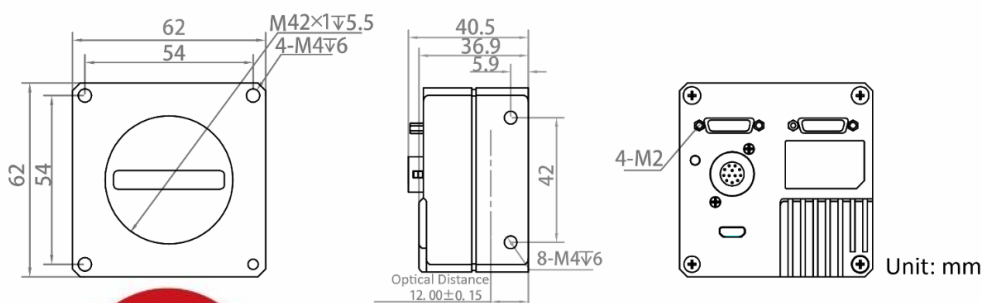
Introduction

MV-CL042-91CM/CC camera adopts CMOS sensor to provide high quality images and uses Camera Link interface to transmit images in real time. It adopts multiple ISP technologies, and supports external trigger modes like line trigger, frame trigger, and trigger-width exposure.

Key Feature

- Supports multiple exposure and image acquisition methods with max. line rate of 100 kHz.
- Applies multiple ISP technologies and supports manual adjustment for Gamma correction, PRNUC correction, LUT, black level, etc.
- Supports bi-directional I/O wiring for flexible input/output settings.
- Compact design and flexible installation.
- Compatible with Camera Link Protocol and GenCam Standard.

Dimension



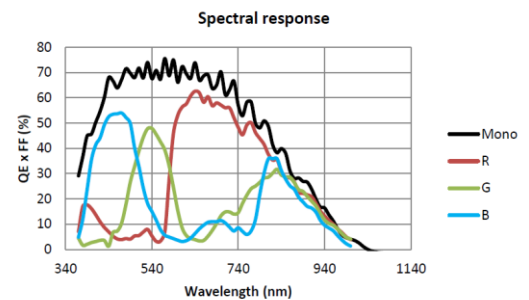
Available Model

- Mono camera: MV-CL042-91CM
- Color camera: MV-CL042-91CC

Applicable Industry

Printing, metallurgy, food, logistics, transportation, material sorting, pharmaceutical manufacturing, etc.

Sensor Quantum Efficiency



Specification

Model	MV-CL042-91CM	MV-CL042-91CC
Camera		
Sensor type	CMOS	
Pixel size	7 μm	
Resolution	4096 \times 2	
Image mode	Supports 1-line and 2-TDI	Supports 1-line
Max. line rate	100 kHz@ 1-line, 50 kHz@ 2-TDI	40 kHz@ Mono 8 (Base), 50 kHz@ RGB 8 (80-bit), 100 kHz@ Bayer RGBG 8 (Full)
Configuration mode	Base, Medium, Full	Base, Medium, Full, 80-bit
Tap geometry	1X2, 1X4, 1X8	1X, 1X2, 1X4, 1X8, 1X10
Tap number	2 Taps, 4 Taps, 8 Taps	1 Tap, 2 Taps, 4 Taps, 8 Taps, 10 Taps
Pixel clock	40 MHz, 60 MHz, 70 MHz, 85 MHz	
Dynamic range	65.6 dB	
SNR	40 dB	
Gain	Supports 1.0 \times , 1.4 \times , 1.6 \times , 2.4 \times , 3.2 \times	
Exposure time	5 μs to 10 ms	
Exposure mode	Off/ Once/ Continuous exposure mode; supports fixed time exposure, trigger-width exposure	
Mono/color	Mono	Color
Pixel format	Mono 8/10/12	Mono 8, RGB 8, Bayer RGBG 8
Binning	Supports 1 \times 1, 1 \times 2, 1 \times 4, 2 \times 1, 2 \times 2, 2 \times 4, 4 \times 1, 4 \times 2, 4 \times 4	
Reverse image	Supports horizontal reverse image output	
Trigger mode	External trigger, internal trigger	
External trigger mode	Line trigger, frame trigger, line + frame trigger	
Electrical features		
Data interface	Camera Link; USB interface for updating firmware	
Digital I/O	12-pin Hirose connector provides power and I/O: configurable input/output \times 4 (Line 0/1/3/4) and support single-ended/differential. Camera Link provides I/O (CC1/CC2/CC3/CC4).	
Power supply	12 VDC to 24 VDC	
Power consumption	Typ. 5.5 W@12 VDC	Typ. 6.1 W@12 VDC
Mechanical		
Lens mount	M42*1, optical back focal length: 12 mm (0.5"), applicable to F-mount, C-mount and lens of other types via lens adapter	
Dimension	62 mm \times 62 mm \times 36.9 mm (2.4" \times 2.4" \times 1.5")	
Weight	Approx. 238 g (0.5 lb.)	
Ingress protection	IP40 (under proper lens installation and wiring)	
Temperature	Working temp.: -20 $^{\circ}\text{C}$ to 55 $^{\circ}\text{C}$ (-4 $^{\circ}\text{F}$ to 131 $^{\circ}\text{F}$), storage temp.: -30 $^{\circ}\text{C}$ to 80 $^{\circ}\text{C}$ (-22 $^{\circ}\text{F}$ to 176 $^{\circ}\text{F}$)	
Humidity	5% to 95% RH, non-condensing	
General		
Client software	MVS and frame grabber software meeting with Camera Link Protocol	
Operating system	32/64-bit Windows XP/7/10	
Compatibility	Camera Link V1.2, GenICam	
Certification	CE, FCC, RoHS, KC	

Distribution Partner:



**SCORPION
VISION**