

**M3514-MP**

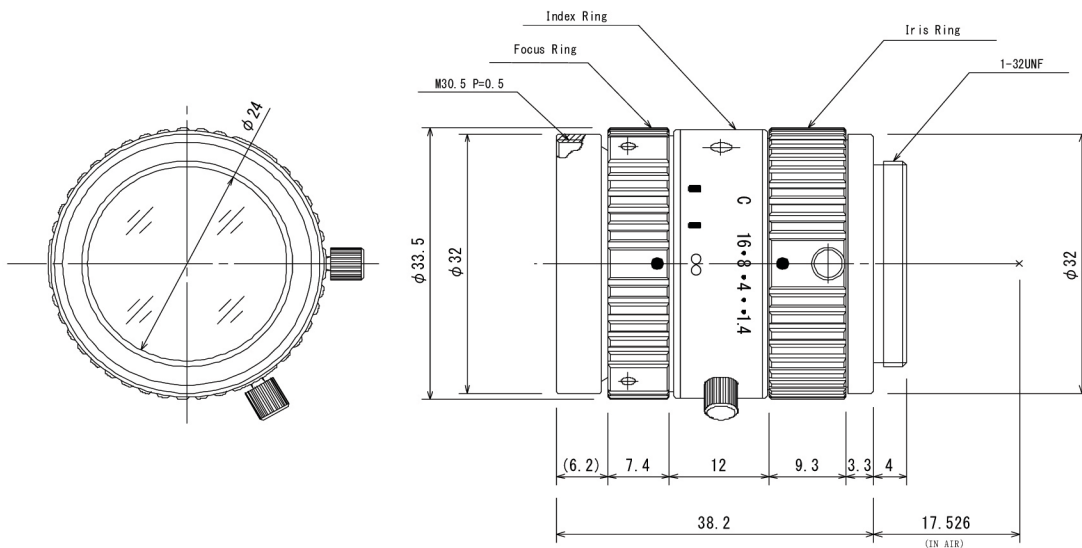
f=35mm F1.4  
for 2/3 type Megapixel Cameras  
C-Mount



|                           |          |                       |       |                    |          |                   |  |       |
|---------------------------|----------|-----------------------|-------|--------------------|----------|-------------------|--|-------|
| Model No.                 |          | M3514-MP              |       | Effective          | Front    | φ 24mm            |  |       |
| Focal Length              |          | 35mm                  |       | Lens Aperture      | Rear     | φ 12mm            |  |       |
| Max. Aperture Ratio       |          | 1:1.4                 |       | Distortion         | 2/3 type | -0.8%(y=5.5)      |  |       |
| Max. Image Format         |          | 8.8mm x 6.6mm(φ 11mm) |       |                    | 1/2 type | -0.39%(y=4.0)     |  |       |
| Operation Range           | Iris     | F1.4 - F16C           |       | Back Focal Length  |          | 17.1mm            |  |       |
|                           | Focus    | 0.3m - Inf.           |       | Flange Back Length |          | 17.526mm          |  |       |
| Control                   | Iris     | Manual                |       | Mount              |          | C-Mount           |  |       |
|                           | Focus    | Manual                |       | Filter Size        |          | M30.5 P=0.5mm     |  |       |
| Object Dimension at M.O.D | 2/3 type | 8.1cm x 6cm           |       | Dimensions         |          | φ 33.5mm x 38.2mm |  |       |
|                           | 1/2 type | 5.9cm x 4.4cm         |       | Weight             |          | 87g               |  |       |
| Angle of View             | D        | 2/3 type              | 17.3° | 1/2 type           | 12.6°    |                   |  |       |
|                           |          |                       | 13.9° |                    |          |                   |  | 10.1° |
|                           |          |                       | 10.4° |                    |          |                   |  |       |
|                           | H        |                       |       |                    |          |                   |  |       |
|                           | V        |                       |       |                    |          |                   |  |       |
| Operating Temperature     |          | -10°C - +50°C         |       |                    |          |                   |  |       |

M.O.D : Minimum Object Distance

**Dimensions**



Distribution Partner:



**SCORPION VISION**