

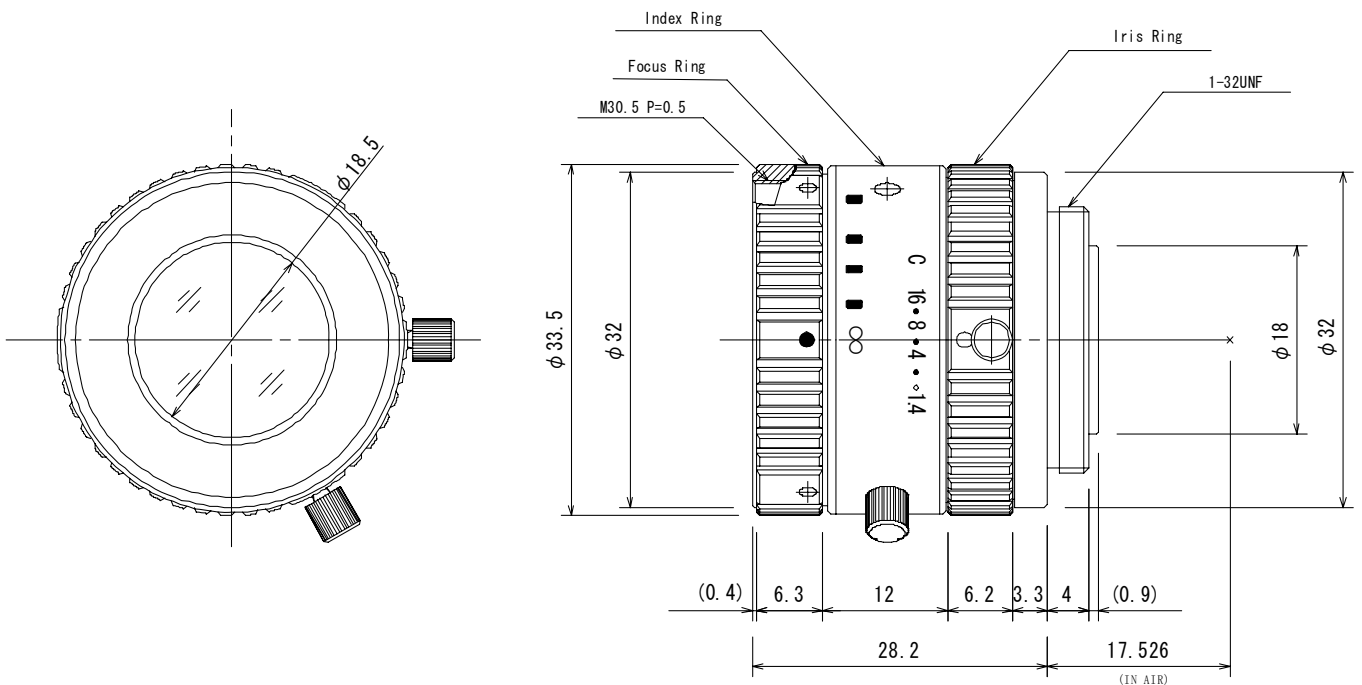
M1614-MP2

f=16mm F1.4
for 2/3 type Megapixel Cameras
C-Mount

Model No.		M1614-MP2		Effective	Front	φ 18.5mm	
Focal Length		16mm		Lens Aperture	Rear	φ 13.2mm	
Max. Aperture Ratio		1:1.4		Distortion	2/3type	-0.1%(y=5.5)	
Max. Image Format		8.8mm x 6.6mm(φ 11mm)			1/2type	-0.3%(y=4.0)	
Operation Range	Iris	F1.4- F16C		Back Focal Length		13.1mm	
	Focus	0.3m - Inf.		Flange Back Length		17.526mm	
Control	Iris	Manual		Mount		C-Mount	
	Focus	Manual		Filter Size		M30.5 P=0.5mm	
Object Dimension at M.O.D	2/3 type	17.2cm x 12.9cm		Dimensions		φ 33.5mm x 28.2mm	
	1/2 type	12.5cm x 9.3cm		Weight		60g	
Angle of View	D	2/3 type	38.0°	1/2 type	28.2°		
	H		30.8°		22.7°		
	V		23.4°		17.1°		
Operating Temperature		-10°C - +50°C					

M.O.D : Minimum Object Distance

Dimensions



SCORPION VISION

shop.scorpion.vision +44 (0) 1590 679333 sales@scorpion.vision