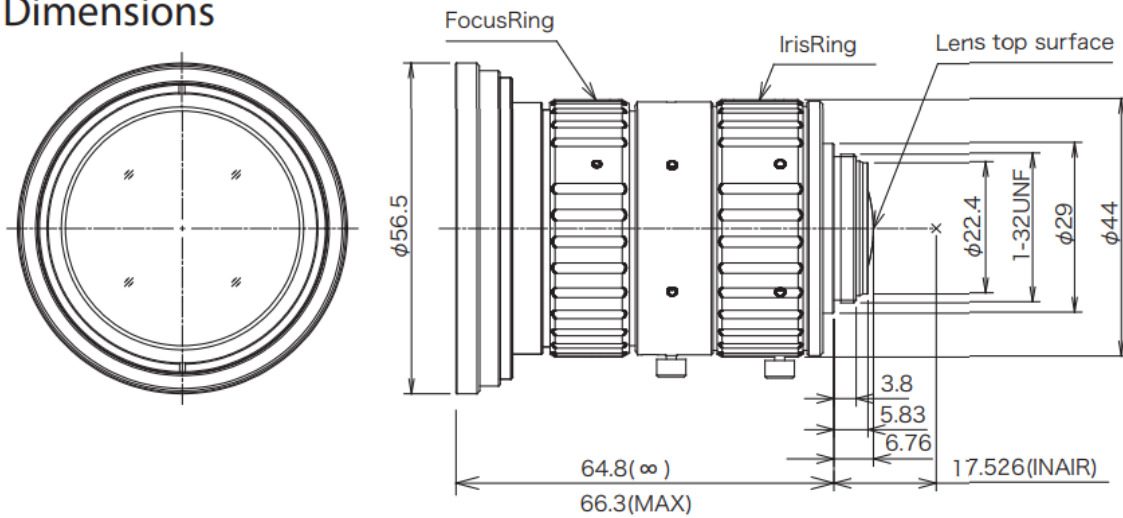


# F1228-MPT

## F1228-MPT

Focal Length		12mm		Distortion (Inf.)	1.4 Type	0.13%	
Max. Aperture Ratio		1:2.8		Operating Temperature		-10°C - +50°C	
Max. Image Format		φ23.1mm		Mount		C-Mount	
Operation Range	Iris	F2.8 - F16.0		Filter Size	M72 P=0.75mm*		
	Focus	0.15m - Inf.		Weight	205g		
Angle of View	D	1.4 Type	86.1°	1.2 Type	76.6°	1.1 Type	71.6°
	H		76.0°		61.9°		60.4°
	V		56.2°		54.8°		46.1°

### Dimensions



Distribution Partner:



**SCORPION VISION**