



# Meet Your

# Encore LITE

## The Latest Generation of Cafection Brewers!

- Reliable technology
  - Patented reverse French press system.
  - Commercial grade burr grinder.
  - Improved whipping system for solubles.
- Elegant design
- Environmentally friendly and sustainable brewer
- Connected through a secure cellular network
  - Compliant with Sophia – Global Management System.
- Multiple Customizable Options
  - Adjust the cup sizes from 4 to 20 oz.
  - Set the recipes, brew strengths and gram throw to meet the roasters' high quality taste profile.
  - Upload the logo of your favorite roasters to display on the beverage settings screen\*.
  - Change the beverage names & coffee tags.
  - Display promo videos during the brew time or screen saver\*.
  - Add your logo and tagline to the right part of the screen saver\*.
  - Change the beverage descriptions displayed during the screen saver\*.
  - Choose the interface and fascia colors to fit your coffee area.

Black  
Onyx

White  
Coral

Jade

Sapphire

Amber

Default color

\*Sophia license required.



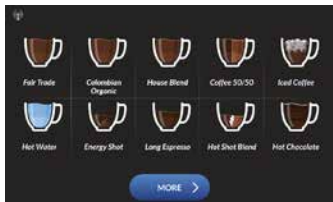
**Cafection**

# Interface & Technology

## Graphic User Interface

Enhanced user experience through an intuitive and improved touchscreen technology.

- Easily recognizable images for each beverage showing the recipes' content.
- Add milk (up to 2), modify strength: watch the regular coffee image displayed change.
- Get your beverages in 2 steps only!



Default color: blue



## Sophia

Global Management System

Manage your assets through our web-based application, connected to a secure and private cellular network (optional).

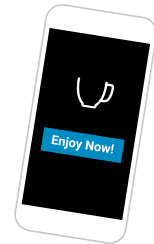


## SOPHIA

TOUCHLESS SOLUTIONS

Order coffee without ever touching the brewer.

SCAN. SELECT. ENJOY.



# Technical Specifications & Options

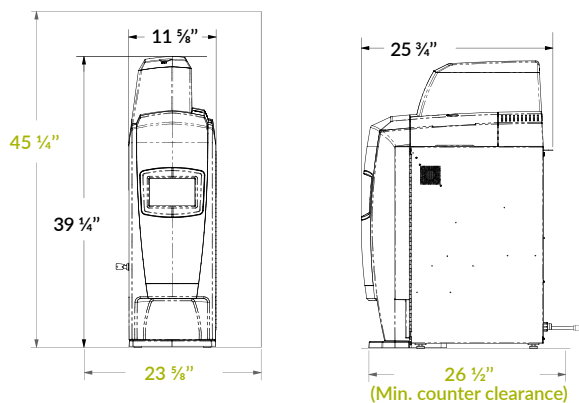
## Description

- Fresh bean to cup coffee machine
- 3 bean hopper (3.7 lb, 2.3 lb, 3.5 lb)
- 2 soluble canisters (2.5 lb, 2 lb)
- 3 cup sizes
- 3 brew strengths
- 7" touch screen
- Cellular modem included
- 1,600 coffee capacity filter paper rolls

## Requirements

- Electricity:** 120 VAC, 15 A, 60 Hz
- Water services:** plumbed or bottled
- Water tank capacity:** 0.8 gal
- Weight:** 94 lb

## Dimensions & Minimum Space Requirements



## Beverages Selection

- Coffee (3 choices)
- Coffee 50/50
- Iced Coffee\*\*
- Hot Water
- Long Espresso
- Energy Shot
- Hot Shot Blend
- Hot Chocolate
- Mokaccino

### Vanilla Option (Default):

- Vanilla Coffee
- Vanilla Choco
- Vanilla Choco Coffee
- French Vanilla

### Milk Option:

- Café Latte
- Cappuccino
- Choco Latte

## Compliant Accessories & Options

- Cup & condiment dispenser
- Wood base cabinets
- Chute kit (for coffee waste)
- Extended hopper

### Connectivity

- Sophia Optimum license

### Space Improvement Options

- Drawer kit
- Extended base (fits a mug of 9")

### Integrated Option

ADA compliant touchpad:  
An adapted keyboard to help people who are not able to reach the screen or are not comfortable using it to order coffee. Also compliant with the Americans with Disabilities Act (ADA).

### Vending Options

- Coin mechanism & coin kit
- Bill acceptor & bill box
- Credit card reader



Complete brochure also available. Contact your territory manager for more info.

\*\*Ice machine required.



2355, avenue Dalton, Québec (Québec) G1P 3S3 Canada  
T: 800-561-6162 F: 800-463-2739  
www.cafection.com

