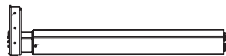


Quickstand Desk

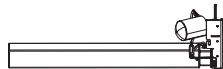
Assembly Instructions

Quickstand Desk

Components List



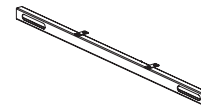
A - Lifting Column



B - Lifting Column with Gerabox



C - 2 x Foot



D - Crossbar



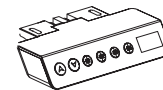
E - Sync Rod



F - 2 x Side Bracket



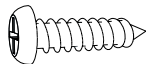
G - Power Cable



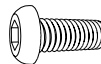
H - Handset



I - Power Adapter



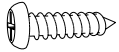
J - Medium Wood Screw
(28 x for 48")
(32 x for 55")
(36 x for 63")



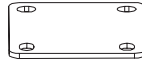
K - Medium Machine Screw
(8 x M8)



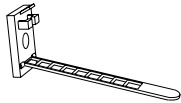
L - Small Machine Screw
(10 x M6)



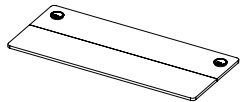
M - 2 x Small Wood Screw



N - Connection Strap
(3 x for 48"/55")
(4 x for 63")



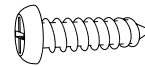
O - 10 x Cable Clip



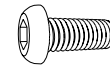
Q - 2 x Tabletop



R - Bolt
(5 x for 48")
(6 x for 55"/63")



Wood Screws: Pointy End



Machine Screws: Flat End



M5



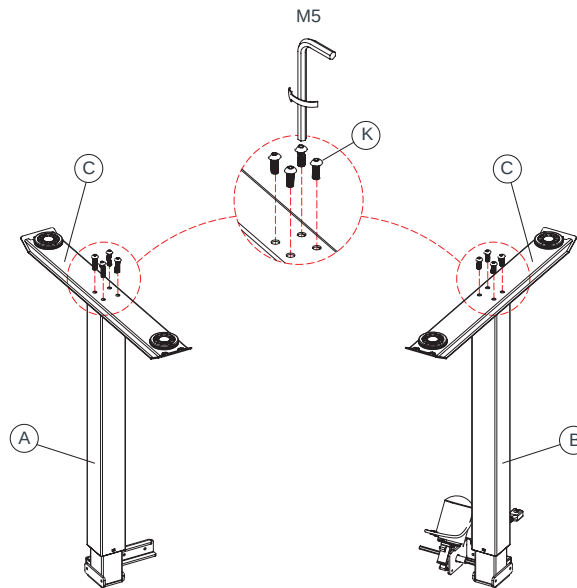
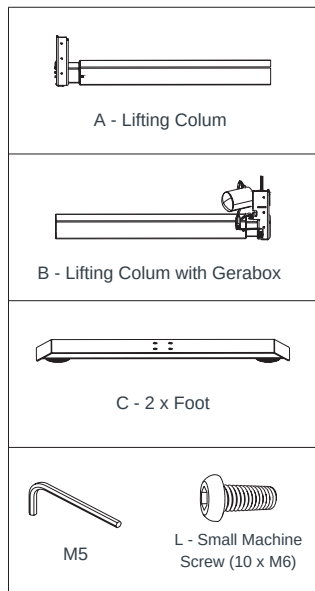
M4

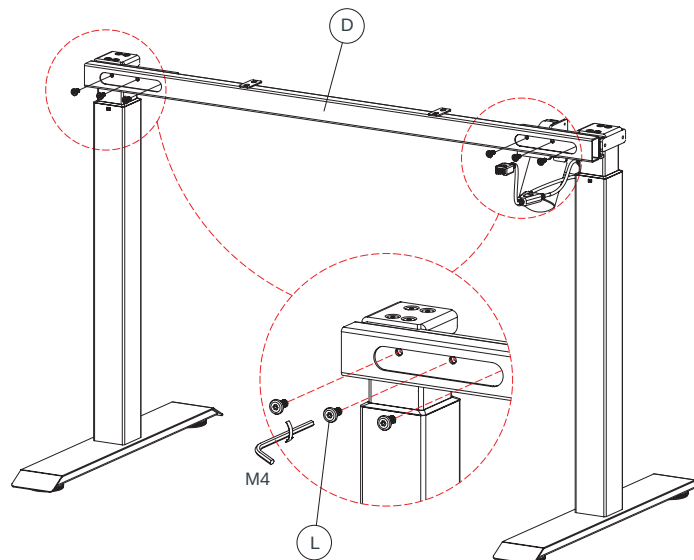
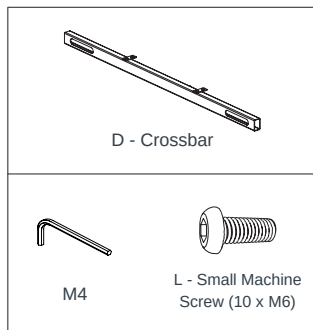


M2.5

Quickstand Desk

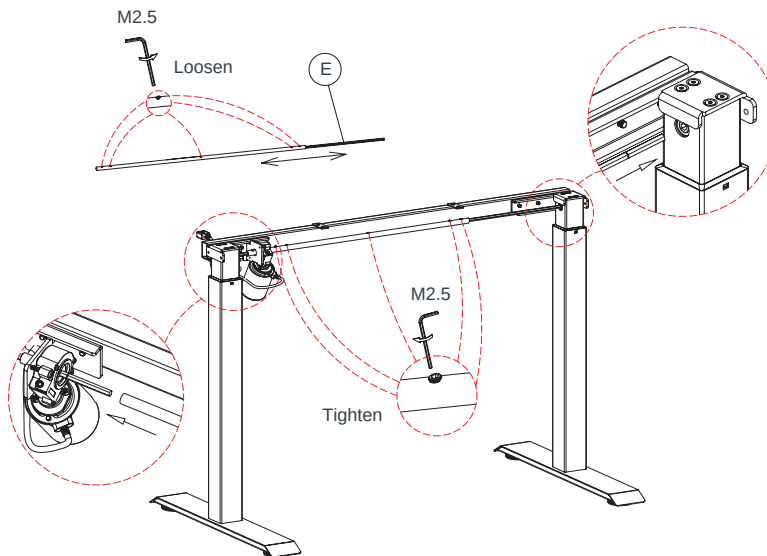
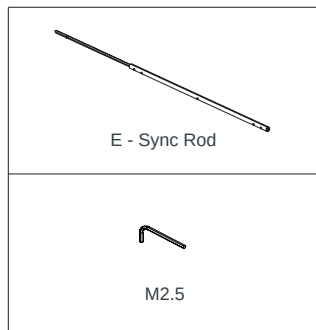
Assembly Instructions

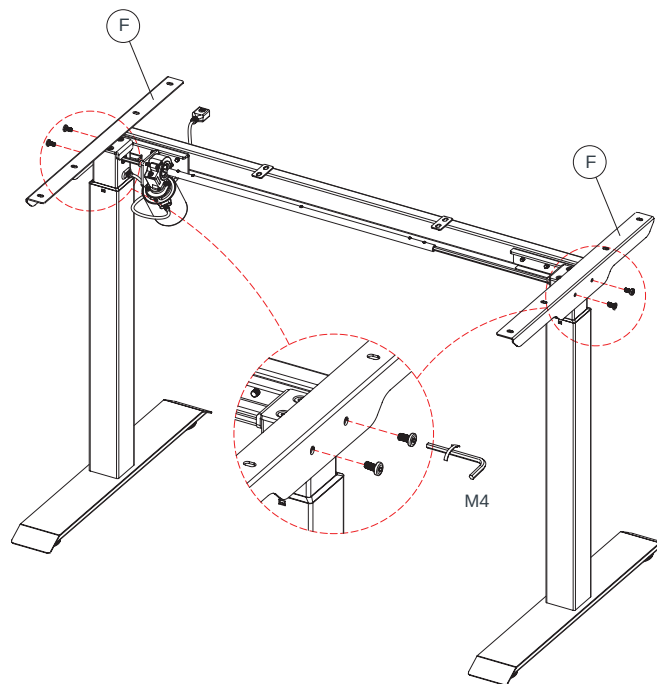
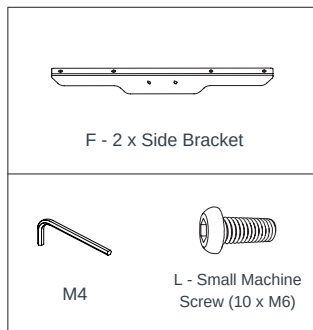




Quickstand Desk

Assembly Instructions





Quickstand Desk

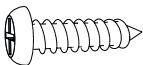
Assembly Instructions



R - Bolt
(5 x for 48")
(6 x for 55"/63")



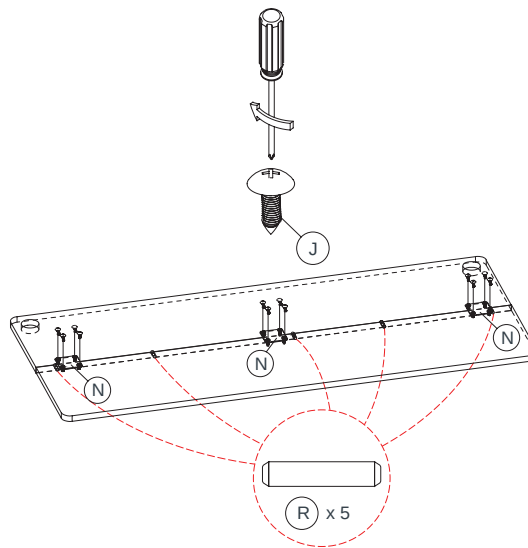
N - Connection Strap
(3 x for 48"/55")
(4 x for 63")

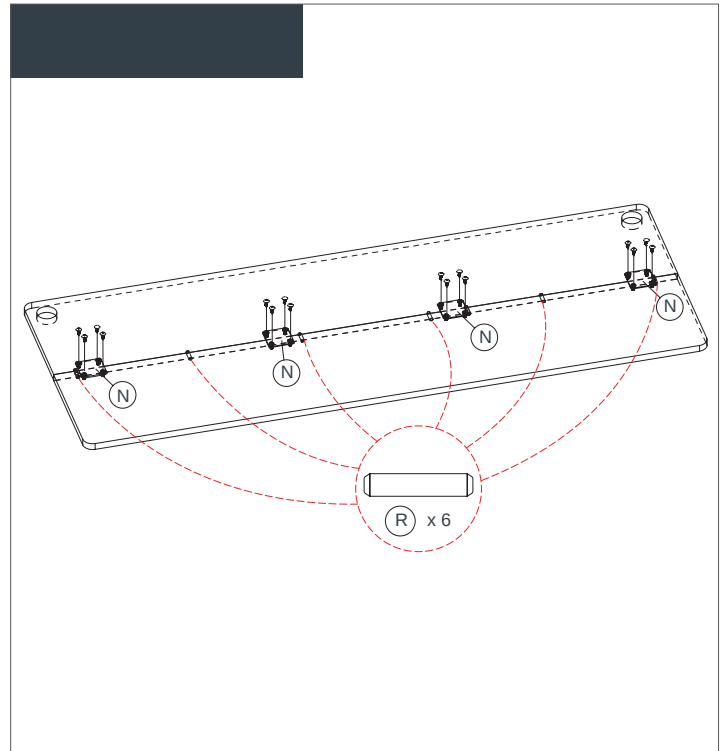
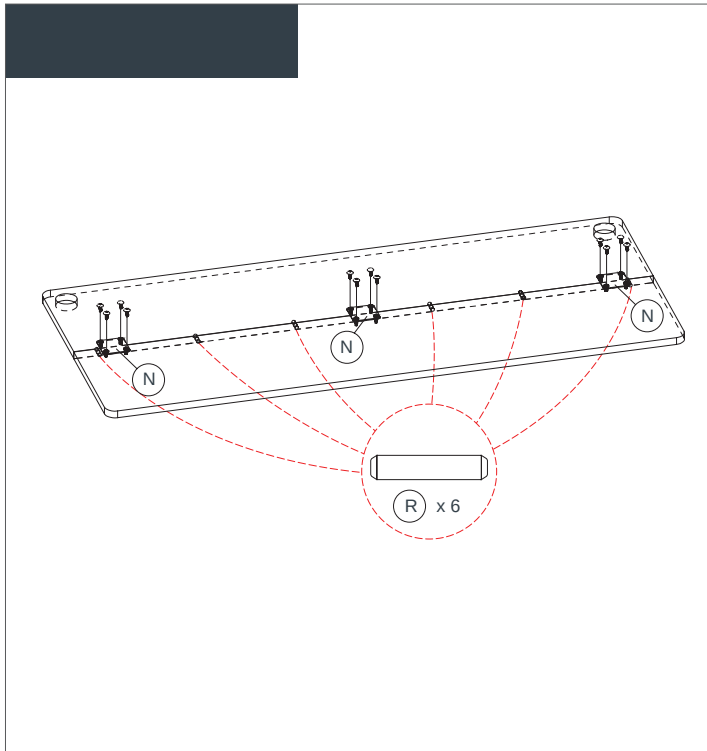


J - Medium Wood Screw
(12 x for 48"/55")
(16 x for 63")



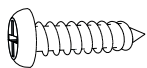
M2.5



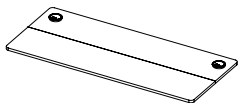


Quickstand Desk

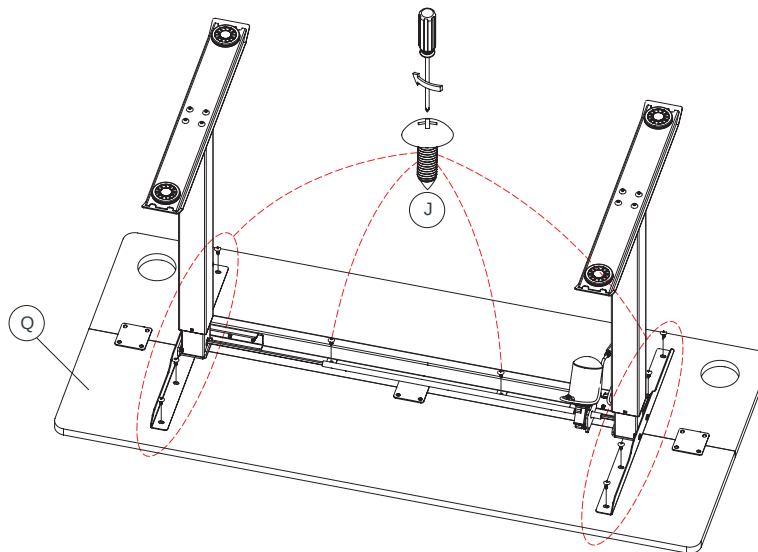
Assembly Instructions



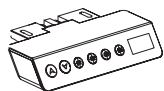
J - 10 x Medium Wood Screw



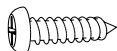
Q - 2 x Tabletop



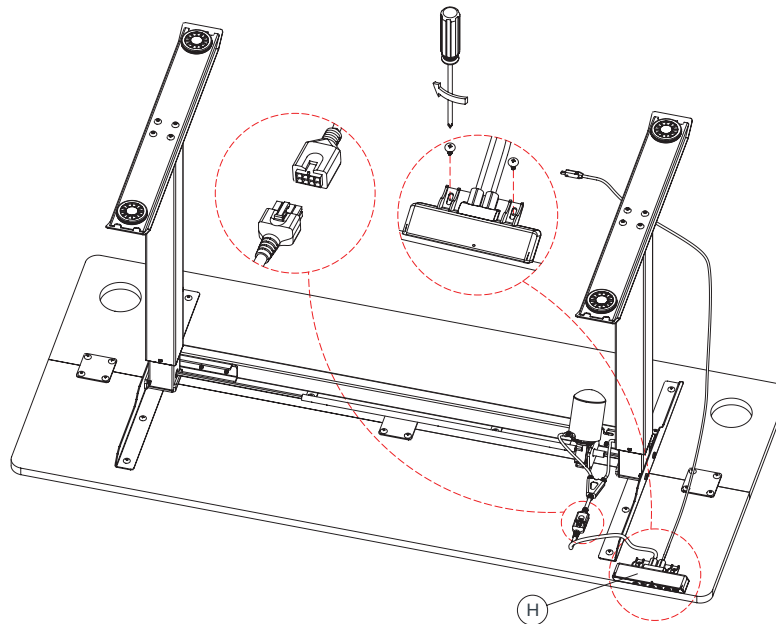
Note: Please make sure the Part E (sync) is facing you.



H - Handset



M - 2 x Small Wood Screw



Quickstand Desk

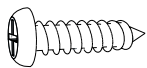
Assembly Instructions



G - Power Cable



I - Power Adapter



J - 2 x Medium Wood Screw

