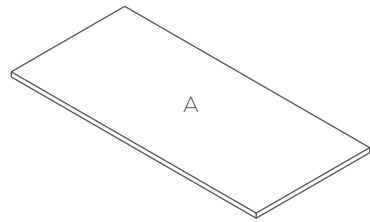


Axis Caddy Mobile Bookcase (2 x Drawer Insert)

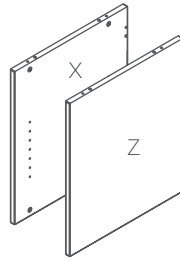
Assembly Instructions

Axis Caddy Mobile Bookcase

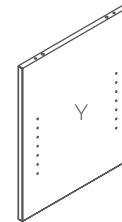
Components List



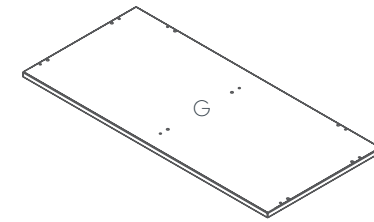
Top Panel



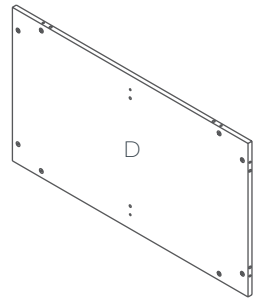
Left (X) & Right (Z) Side Panel



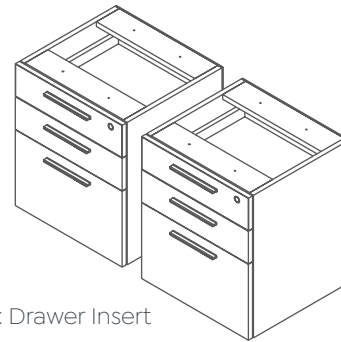
Partition



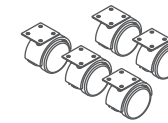
Bottom Panel



Back Panel



2 x Drawer Insert



5 x Castor



22 - 6 x 35mm
Cam Bolts

c1



22 - 8 x 30mm
Dowel Pin

d1



22 - 5/8"
Cam Cover

c2



20 - ST4 x 20mm
Screw

s1



8 - ST4 x 25mm
Screw

s2



Pre-installed Parts:

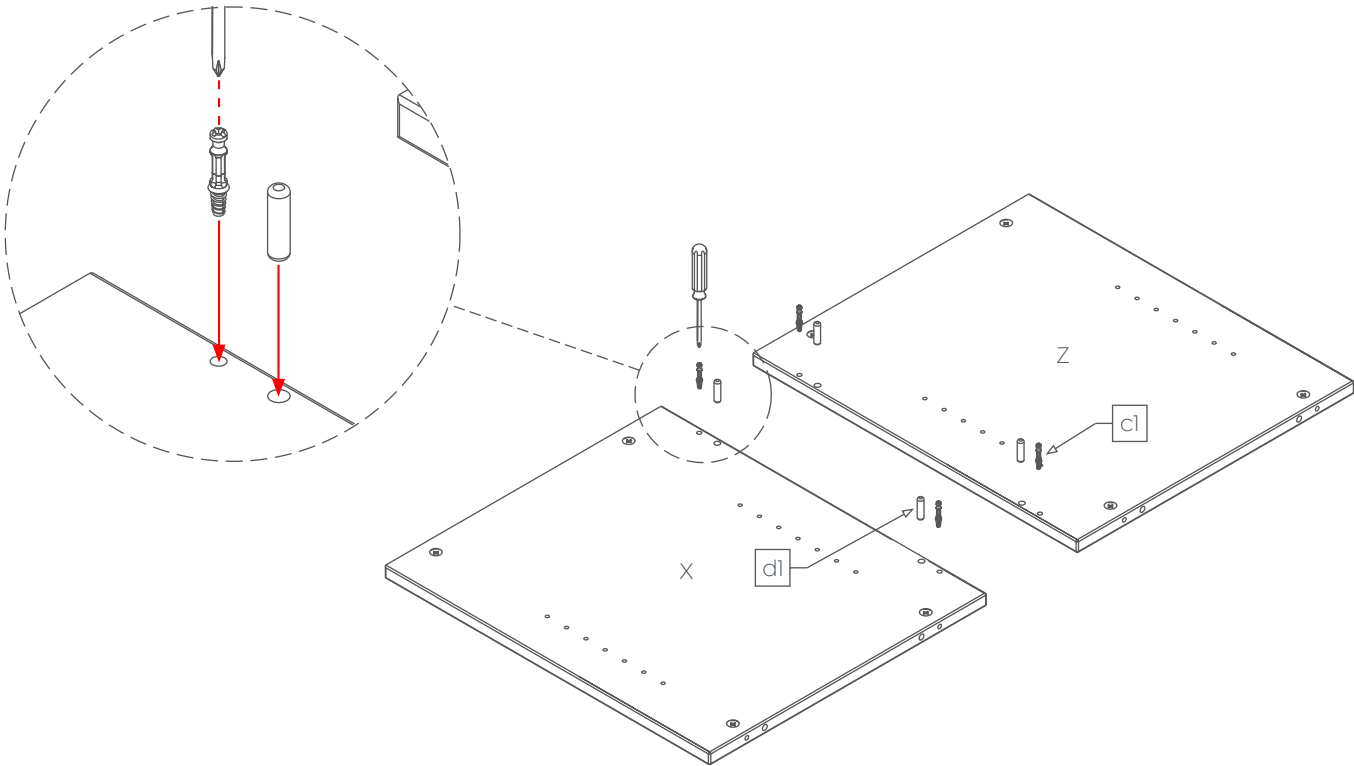


Cam

c5

STEP 1:

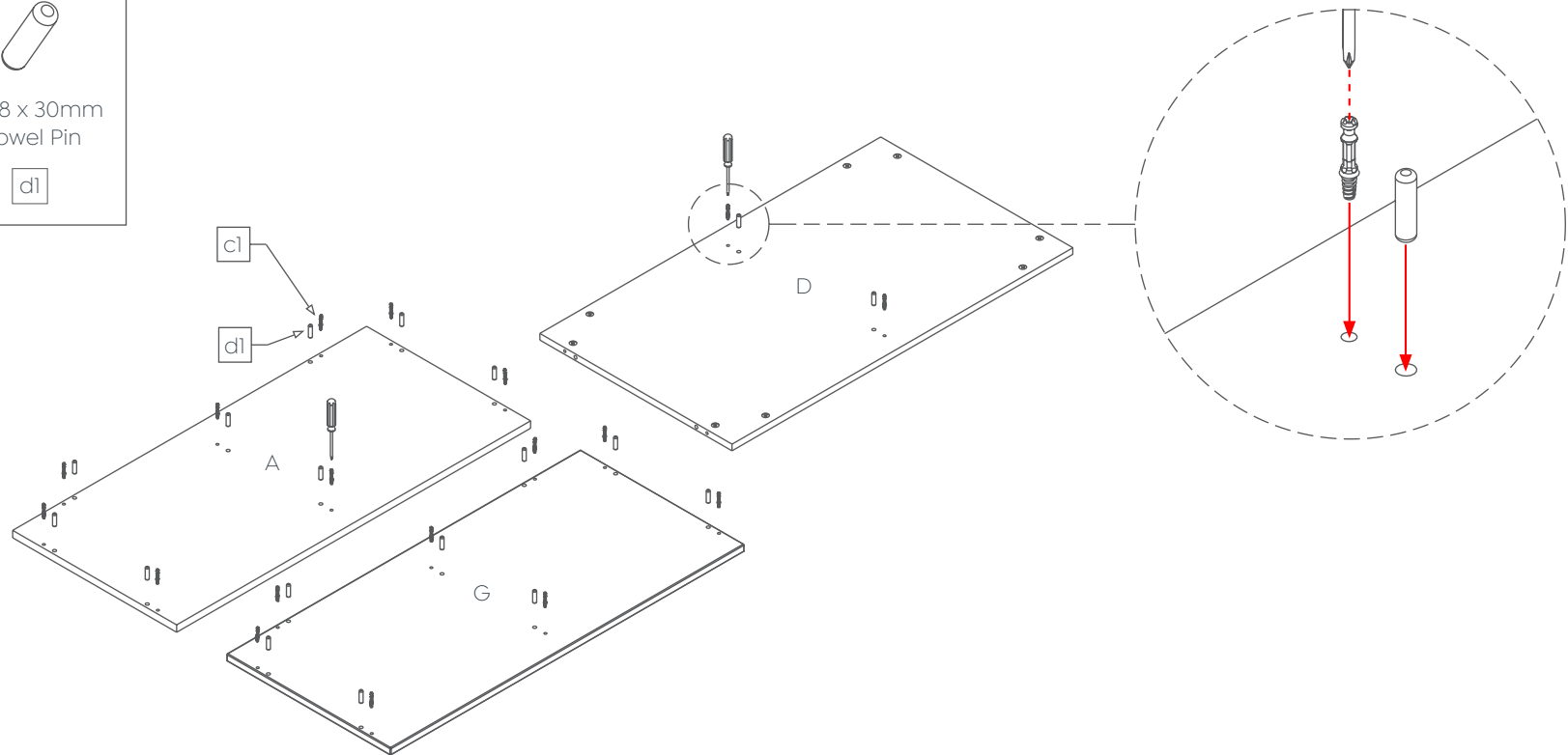
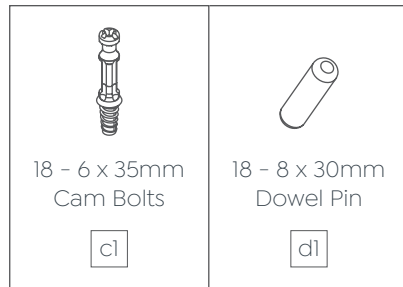
 4 - 6 x 35mm Cam Bolts cl	 4 - 8 x 30mm Dowel Pin d1
---	---



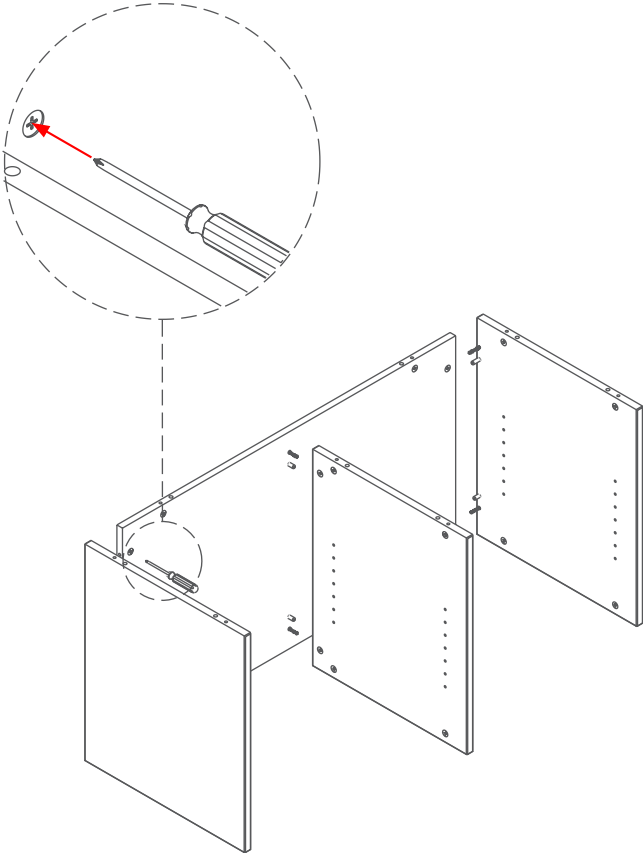
Axis Caddy Mobile Bookcase

Assembly Instructions

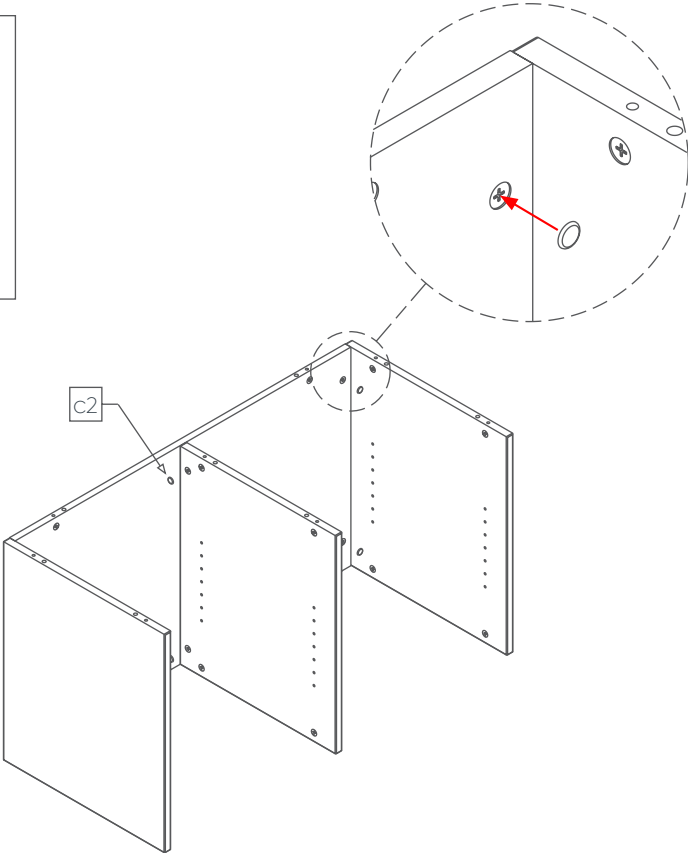
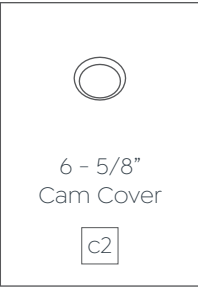
STEP 2:



STEP 3:



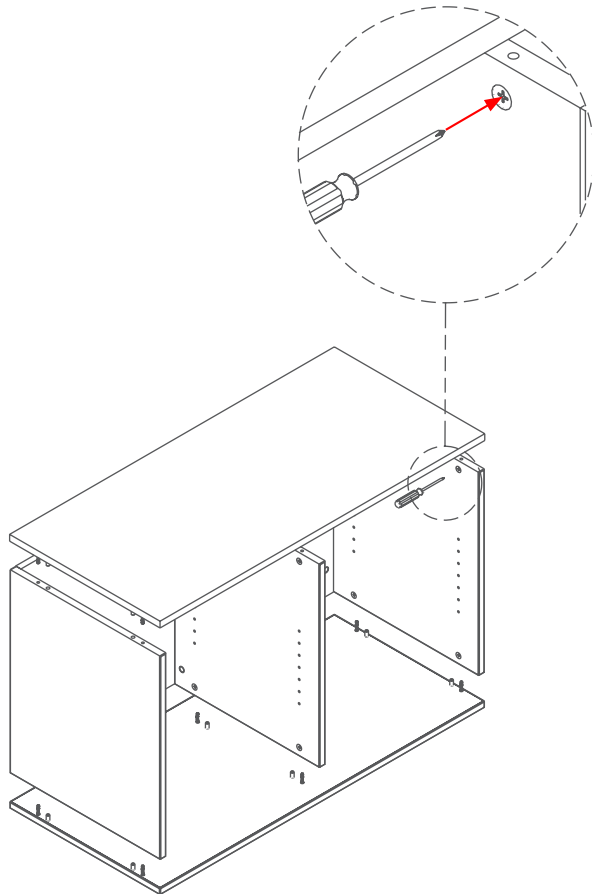
STEP 3.1:



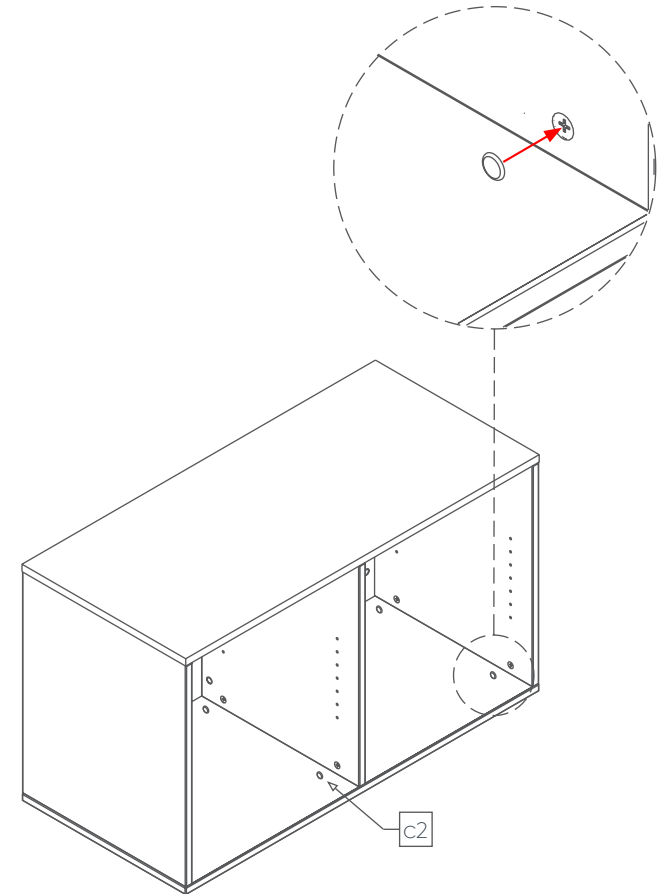
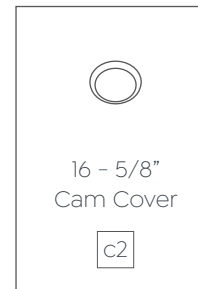
Axis Caddy Mobile Bookcase

Assembly Instructions

STEP 4:

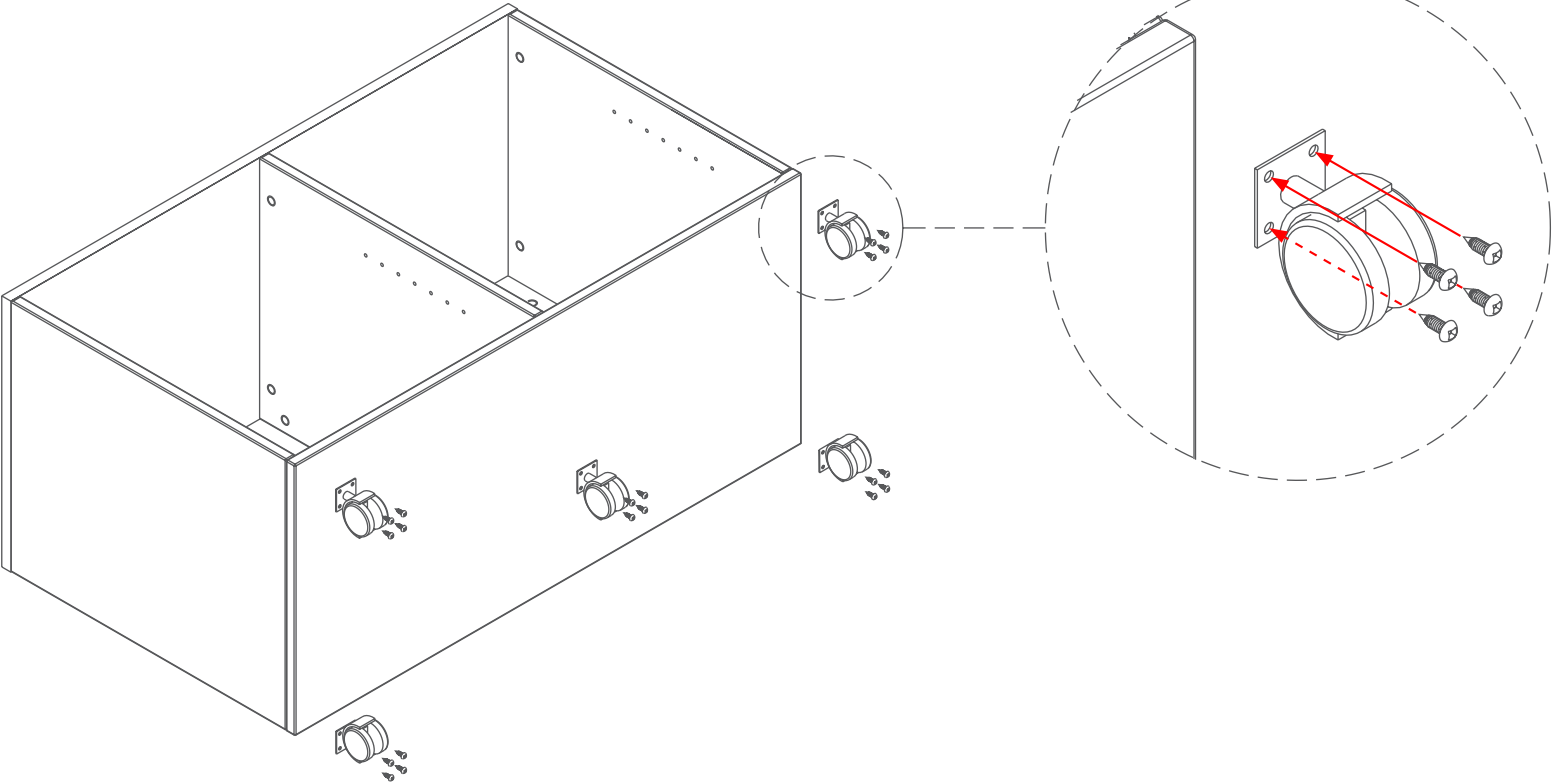


STEP 4.1:



STEP 5:


20 - ST4 x 20mm
Screw

Axis Caddy Mobile Bookcase

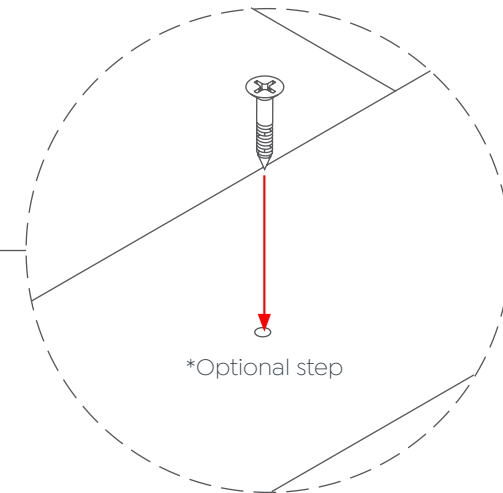
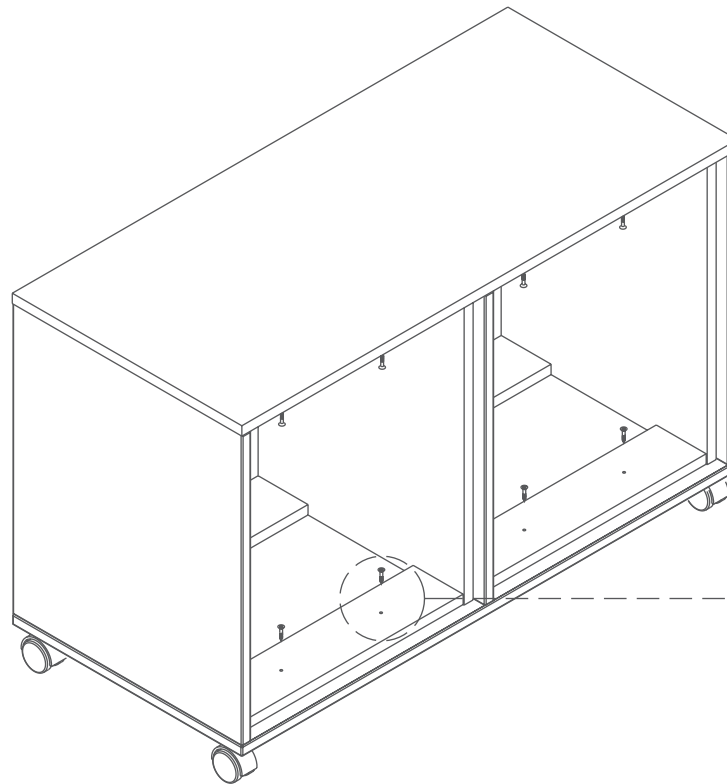
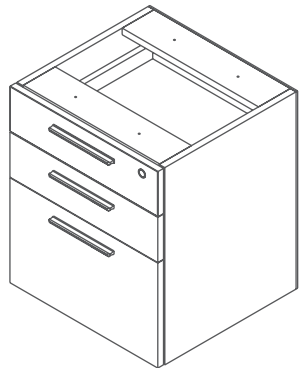
Assembly Instructions

STEP 6:



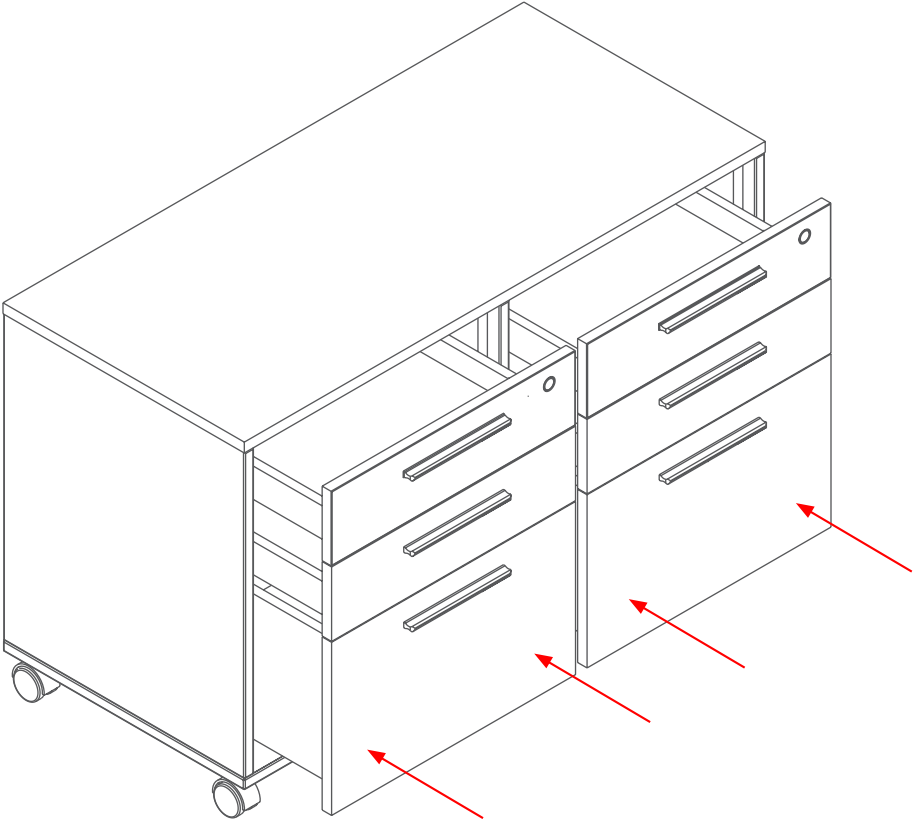
16 - ST4 x 25mm
Screw

s2



Remove drawers from drawer unit and fit carcass to caddy.

STEP 7:



Axis Caddy Mobile Bookcase

Assembly Instructions

Complete:

