

ASSEMBLY INSTRUCTIONS:

Product Code : AM100

Product Name: AM100 Chair

TIME REQUIRED:

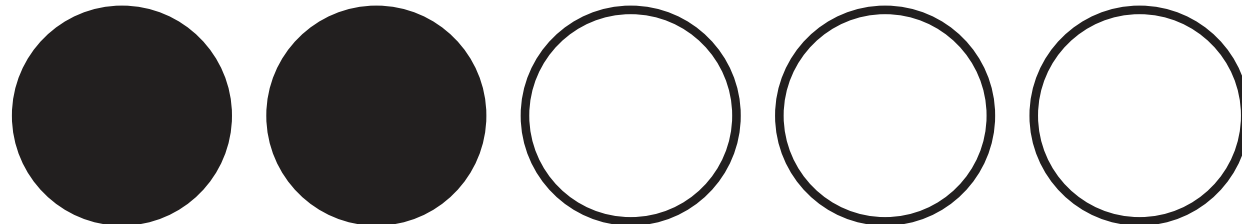
15 minutes

TOOLS REQUIRED:

Screwdriver, Electric Drill, Pencil, Measuring tape/Ruler

*Tools are not included.

SKILL REQUIRED:

Easy  Hard

The Assembly Skill Rating is a 5-point system that shows the degree of effort needed in assembling a specific product. With 1 being easy for the average person and 5 requiring an expert. For most products, two persons are recommended.

NOTE

- As this is a commercial product, some intermediate skills may be required.
 - No pre-drill holes or markings are provided on our table or desk tops.
 - Please check you have all hardware before assembling.
- If you are missing any hardware, please contact your Rapidline reseller. Please ensure you have the name of the item, required hardware part and quantity.
 - Please retain your receipt as proof of purchase to validate your warranty.
- Assemble on a clean, flat, smooth surface such as a rug or carpet to avoid parts from being scratched.
 - Remove all wrapping materials, including staples and packing straps before you start to assemble
 - Keep all hardware parts out of reach of children.

CAUTION

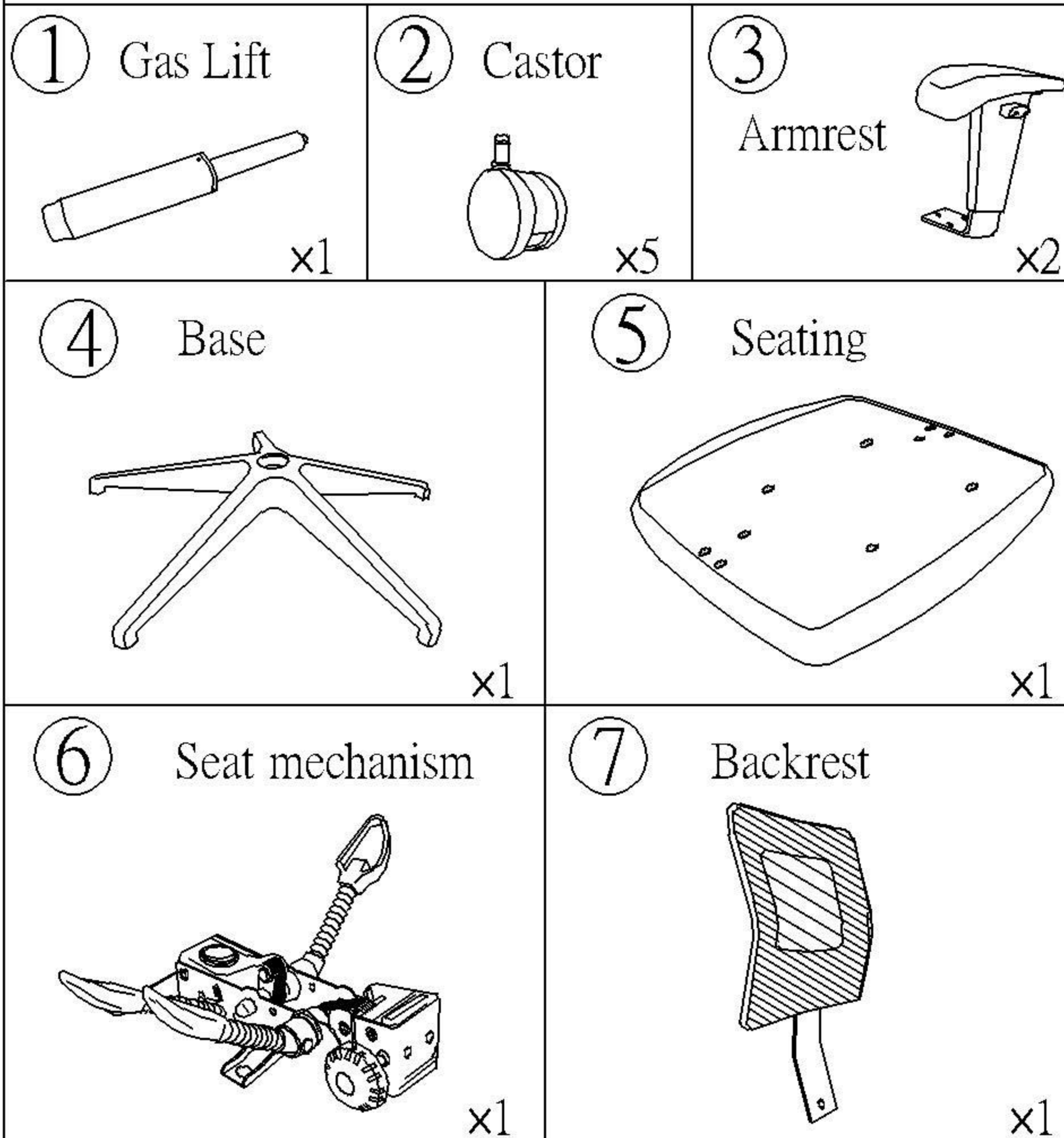
- Heavy product. Do not attempt to lift or move without help
- Do not tighten screws and bolts until completely assembled.
- Do not use this product unless all bolts and screws are firmly secured and tightened.

WARNING

- If parts are missing, broken, damaged or worn stop using the product until all repairs are made.
 - Failure to follow these warnings could result in serious injury.

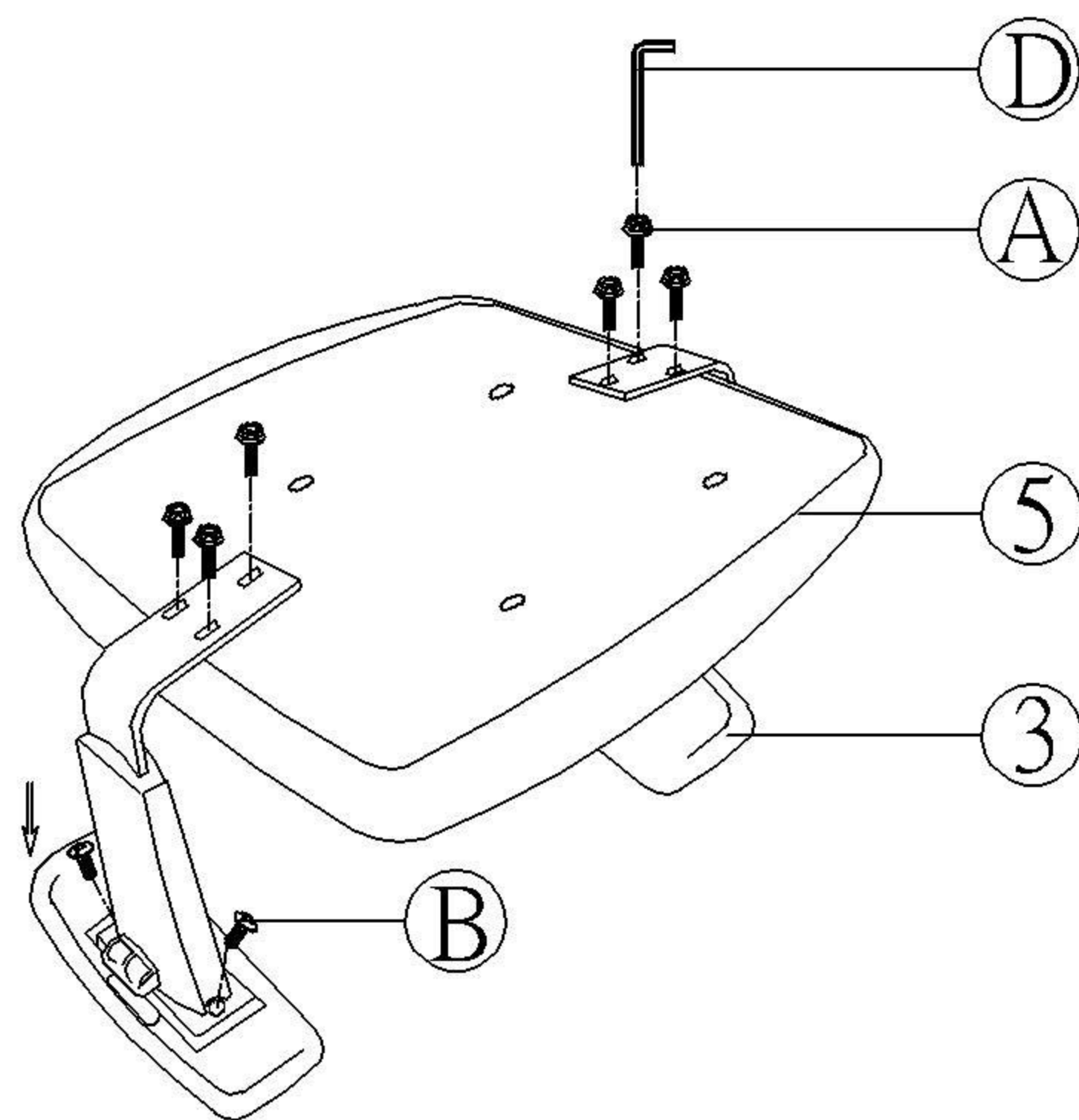
AM100 Assembly instructions

List of the chair parts
(Note:Some parts are different from picture.
Please make the object as the standard)



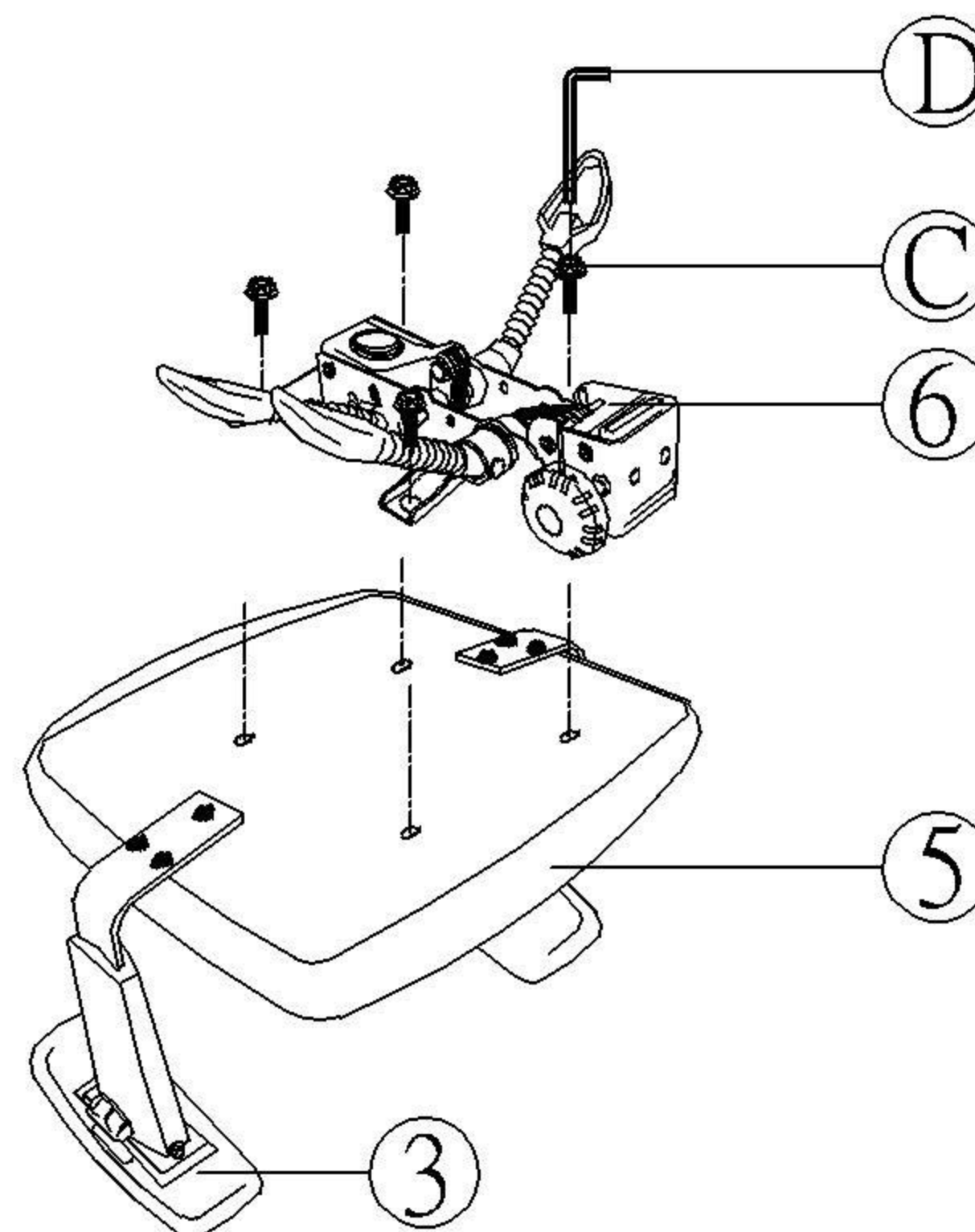
STEP 1: Remove Screws from Seat Pan

1. Insert armrest on the seating.
2. Tighten the screws A x 6 pcs and B x 4 pcs.



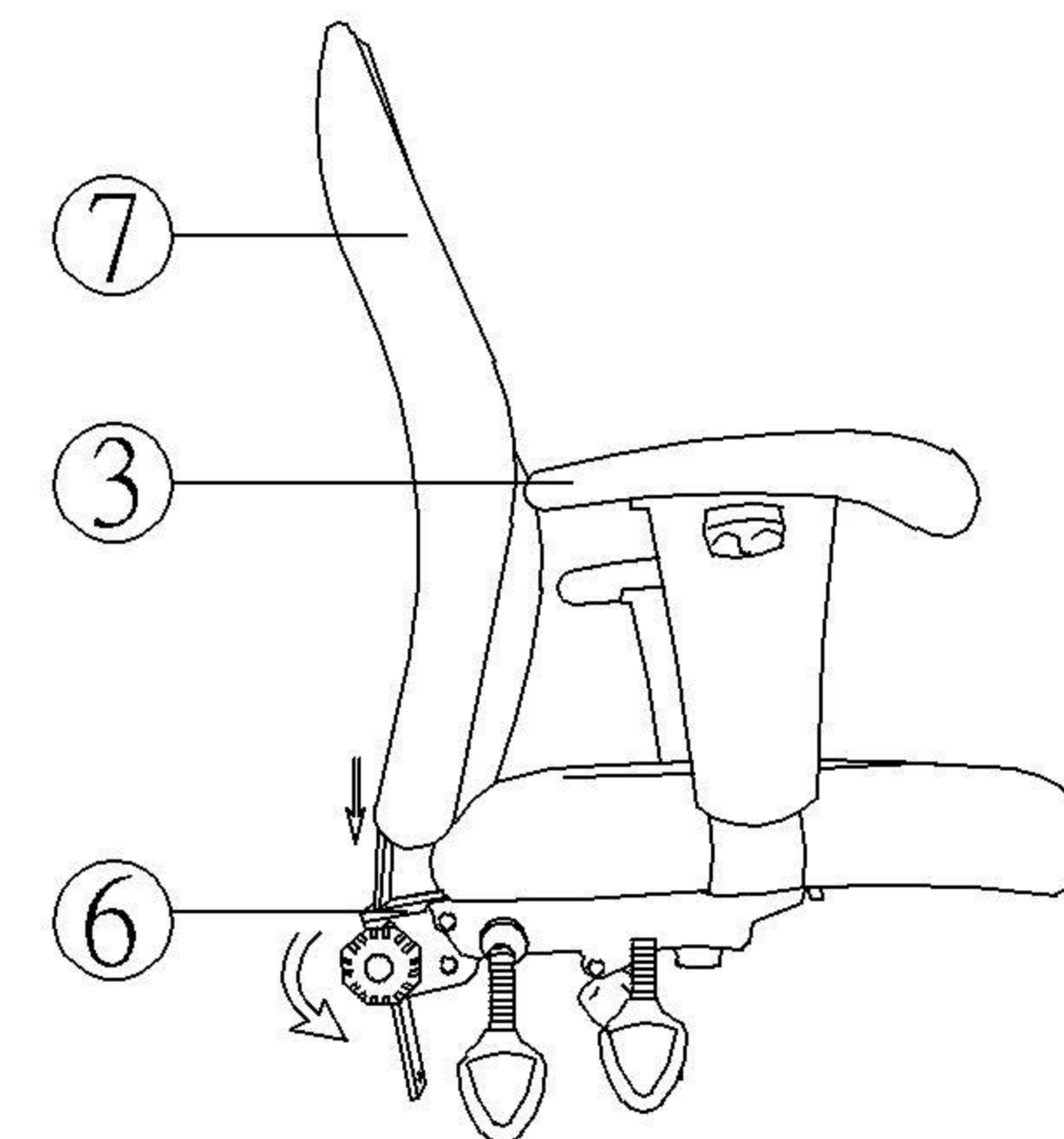
STEP 2:

1. Insert seat mechanism on the seating.
2. Tighten the screws C x 4 pcs.



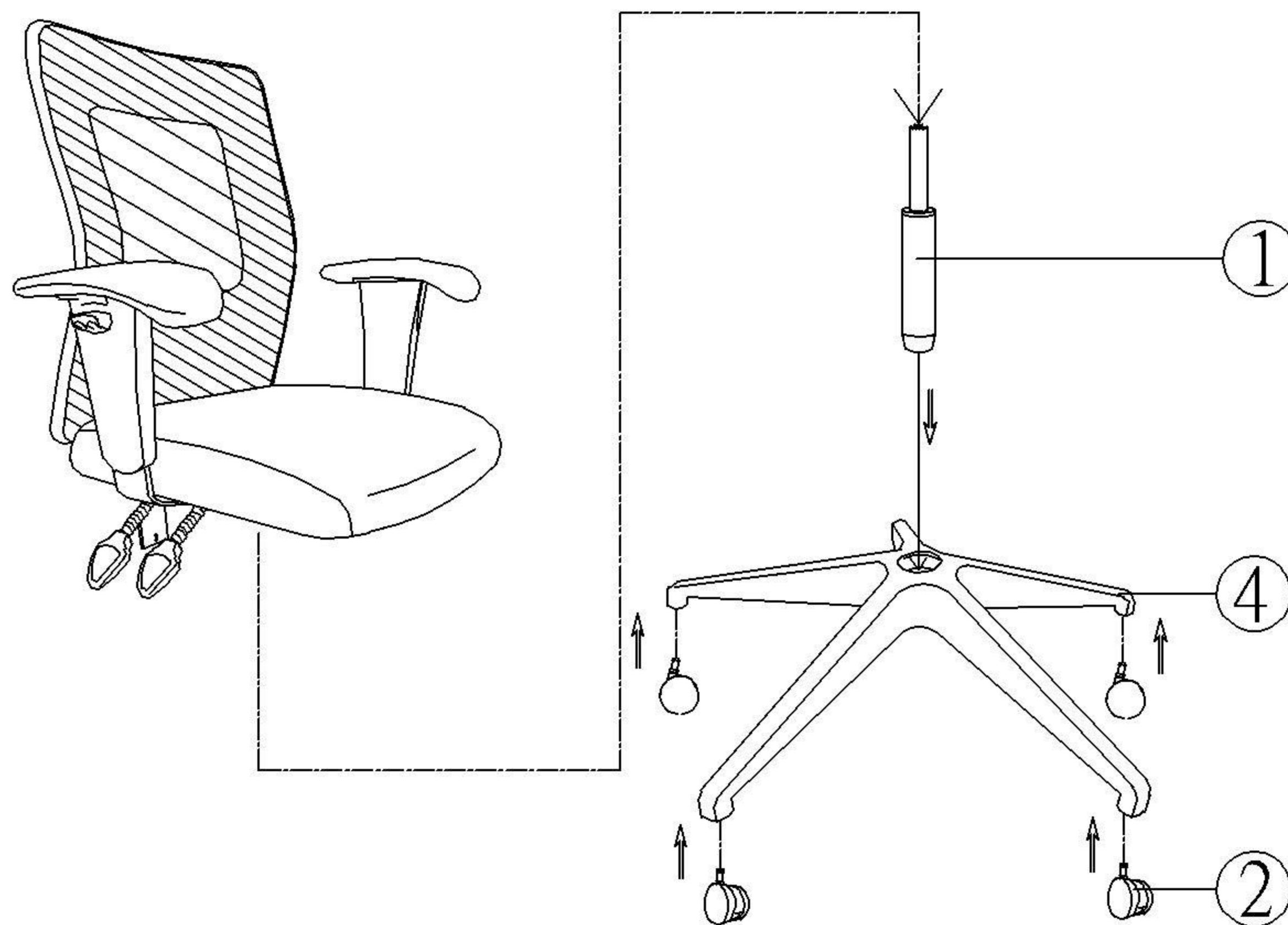
STEP 3:

1. Insert backrest into the seat mechanism.
2. Adjust the backrest to the proper height and tighten the stabilizer on the back steel.



STEP 4:

1. Insert five castors into the base and the gas lift also.
2. Insert the chair body with the base part together.



User Guide

Maintenance and Attention:

1. Make sure that the chair can only carry one person at a time.
2. Do not use the chair as a step stool or ladder.
3. Do not use the chair before all parts are properly assembled.
4. Do not use the chair unless all screws have been tightened.
5. If destroyed by outside forces or defect word, stop use the chair until repaired.
6. For your safety, the instructions listed above must be strictly observed.

⑧ Spare parts

No	Figure	Screw	Qty
A*		M6*30mm	6PCS
B		M6*20mm	4PCS
C*		M6*25mm	4PCS
D		M6	1PCS

Model no

AM100

*Note : All Screws stored on bottom of Seat Pan
Not in separate bag