

OLG

Optic Chair.

Product **Specifications**



Innovative Thinking • Responsive Support • Open Communication

myolg.online

Optic Chair.

A versatile and stylish chair designed for the digital age, the Optic Chair is what happens when modern engineering meets all-day comfort. Whether in the boardroom, meeting room or office workstation, the Optic chair feels right at home.

Built on a reinforced black nylon star base with heavy-duty 60mm castors, the Optic Chair boasts an impressive 140kg weight rating and 10-year warranty. Height adjustment comes via gas lift while a tension adjustment controls the chair's recline. A high-resistance moulded foam cushion wrapped in Breathe fabric forms the seat while the backrest is made from a high-quality, dual-layer of mesh. Adjustable lumbar support promotes pain-free, all-day comfort.

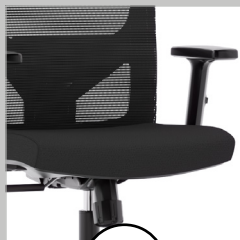
Upgrade to a premium task chair to include adjustable armrests that can be configured at three different heights.

Key Features



A. Black Mesh Backrest

High quality black mesh backrest with adjustable lumbar for additional back support.



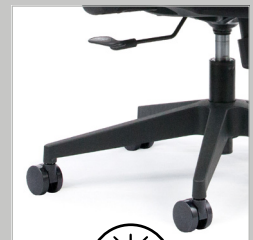
B. Molded Seat Foam

High resistance molded seat foam with standard black Breathe fabric provides ultimate comfort.



C. Height-Adjustable Arms

Upgrade to include premium height adjustable armrests that can be configured at three different locking heights.



D. Stylish Base

Fashionable reinforced black nylon star base to suite any modern office environment.

Optic Chair.

In Detail



Warranty

10 year warranty is the best in it's class giving you peace of mind.



Versatile

Suitable for task, executive, conference and boardroom seating.



Heavy Duty Castors

Roll your way across the office floor with 60mm heavy duty unhooded castors.



Strong and Durable

Reinforced nylon 5 star base and premium materials guarantees extra strength and ensures 140kg weight rating.



Single Lever Simplicity

Single lever for both height adjustment and tilt recline lock.

Optional Height Adjustable Arms

Armrests can be configured to your own personal taste with three different locking heights.

Single Lever

All-in-one single lever for height adjustment and tilt recline lock.

5-Star Base

Comes standard with a reinforced black nylon base for added strength and stability.

Strength

140kg load rating ensure long term durability with frequent use.

Mesh Backrest

Mesh backrest with adjustable lumbar for additional comfort on those longer seating sessions.

High Resistance Molded Seat

Standard, high resistance molded seat upholstered in high quality black Breathe fabric.

10 Year Warranty
Best in it's class.

Tension Adjustment
for chair reclining.

Easy moving

Heavy duty 60mm unhooded castors on each foot for easy movement around the office.



* Refer to page 5 for Ratings & Certifications details.

Optic Chair.

Optional Upgrades



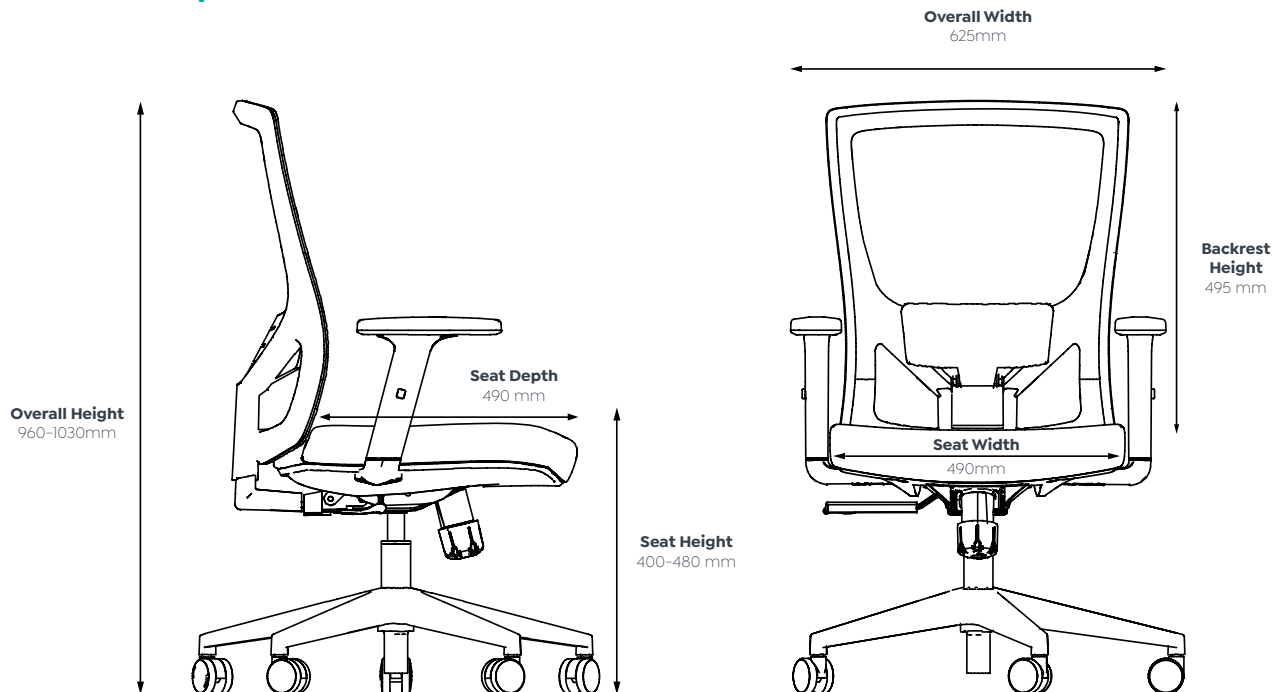
Optic Chair with Arms
and Lumbar

Colour



Black

Dimension Specifications



OLG's Ratings & Certifications.



10 Year Warranty

OLG Warranty promises the original purchaser that it will repair or replace with comparable product, at its option and free of charge (for material and components), any product, part or component which fails under normal use over the duration of the specified warranty term (taken from the date of purchase). Normal commercial usage is defined as the equivalent of a single shift, 40 hour work-week.



Weight Rating

All seating products have an OLG endorsed 120kg minimum weight rating. All OLG seating products are designed with reference to relevant international standards, including ANSI/BIFMA and AS/NZS. These standards stipulate strength & durability requirements and give the user confidence about the product's longevity. OLG's ISO certified factories use propriety test rigs to issue OLG's own weight ratings for chairs.



ISO 14001

ISO 14001 Certification is the international standard that specifies requirements for an effective Environmental Management System (EMS). It provides a framework that OLG as an organization can follow. At OLG we are using this framework as an approach to continuous improvement across all environmental aspects of our business.



ISO 9001

ISO 9001 Certification is the world's most widely recognized Quality Management System (QMS). At OLG its our guiding principle to meet the expectations and needs of our customers through quality management systems that continually monitor and manage quality across all operations to deliver consistent performance and service.



AS/NZS 4801

AS/NZS 4801 is the benchmark to assess Occupational Health & Safety Management systems for organisations. This standard contains vital information about meeting legal requirements and invaluable guidance on how to establish sustained improvement in health and safety performance in your business.



GECA Certification

GECA (The Good Environmental Choice Australia) Ecolabelling Program, operates a national third-party, independently verified ecolabel, in conformance with Environmental labels and declarations (ISO 14024), that can be applied to a wide range of products and services. This certification gives you an independent, reliable and convenient way to select OLG products and services that are certified by GECA to deliver better environmental outcomes. Anvil and Axis (available to GECA specification by special request). EkoSystem approved as EKO Brand.



AFRIDI Certification

AFRDI Certification is a set of standards covering strength, durability, stability and safety (and ergonomics in the case of desks and workstations). This means that OLG are accountable for maintaining the quality of our products, submitting them for regular auditing to ensure they meet the highest standards for commercial use. Applies to: Urban Mesh (Level 6 – Severe Commercial), Modulus Flip Table (Level 3 – Severe Commercial, tested with 1500 x 750 top and Agile+ Single Sided Dual Motor Electric Desk).



BIFMA Certification

BIFMA Certification focuses on safety and performance standards developed by the BIFMA Engineering Committee. The standards provide manufacturers, specifiers, and users with a common basis for evaluating safety, durability, and the structural adequacy of the specified furniture, independent of construction materials. The standards define specific tests, laboratory equipment to be used, the conditions of test, and the minimum acceptance levels to be used in evaluating these products. Applies to: Balance Executive, Balance Task, Optic Chair, Adapta Chair, Game Chair 4 leg, Game Chair 4 leg with seat and back pads, Game Sled, Game Sled with seat and back pads, Agile+, Agile Electric 2-Column single motor, Motion Sync



Australian Trusted Trader

Australian Trusted Trader Certification is a standard that rewards companies showing compliant behaviour, secure supply chain with strong security practices, to enjoy a wide range of trade facilitation benefits. OLG have held this status since 2017.



FSC

FSC is the leading catalyst and defining force for improved forest management and market transformation, shifting the global forest trend toward sustainable use, conservation, restoration, and respect for all. Applies to: Plantation timber legs



GREENGUARD Certification

A GREENGUARD Certification ensures that a product has met some of the world's most rigorous and comprehensive standards for low emissions of volatile organic compounds (VOCs) into indoor air. GREENGUARD Gold Certification offers certification criteria that considers safety factors to account for sensitive individuals (such as children and the elderly), and ensures that a product is acceptable for use in environments such as schools and healthcare facilities.

Optic Chair.

Cheat Sheet Quick Guide

Standard Features

Single lever for height adjustment and tilt recline lock.

Tension adjustment for chair reclining.

High quality black mesh backrest with adjustable lumbar.

High resistance molded seat foam upholstered in standard Breathe black fabric.

Stylish black nylon star base with heavy duty 60mm unhooded castors.

Suitable for task, executive, conference and boardroom seating.

Optional Upgrades

Height adjustable arms - pair

Dimensions

Seat Height 400 - 480 mm

Seat Width 490 mm

Seat Depth 490 mm

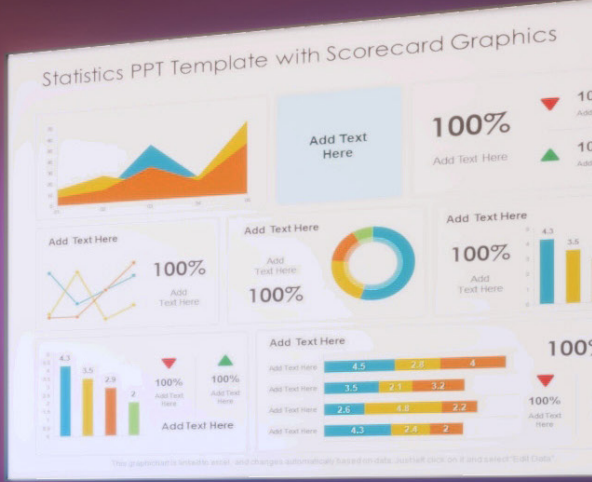
Overall Height 960 - 1030 mm

Colour



Black





Axis desk with AcoustiQ hung screen, Agile mobile caddy and Optic chair.



How can we be of help?

02 8188 2732

info@olgoffice.com

myolg.online

olgoffice.com

officedesigner.net

motionoffice.com

officefitoutcalculator.com.au

myolgpricelist.online

acoustiq.com.au

Innovative Thinking • Responsive Support • Open Communication