

Part of the Krix Architectural Series, the IC-32 (Hemispherix A20) can be used for home theatre, stereo listening, or high-quality background music. It features a 20 degree angled baffle to project the sound to your primary listening area, meaning less sound is reflected off walls and other surfaces. Your experience is clearer, there is a more three-dimensional soundstage, better definition for music listening, more articulate dialogue, and more realistic and involving sound effects in movies.

The fully-enclosed back box maximises and controls bass, protects from ceiling debris and drastically reduces sound leakage into adjoining rooms. With speaker components mounted directly to the front baffle of the speaker, the IC-32 delivers a true high fidelity sound in a neat package.

Tonally balanced to the Krix floorstanding and bookshelf range, the IC-32 allows you to enjoy accurate and controlled bass, as well as midrange clarity delivered by a 100mm driver with a large magnet and aluminium shorting ring. Extended high frequency performance is provided by the 26mm ring radiator tweeter.

The paintable bezel grille, which is slim and attractively-styled in rust-resistant stainless steel, locks onto magnets at the front of the speaker for easy installation, producing the ultimate sound with magical simplicity.

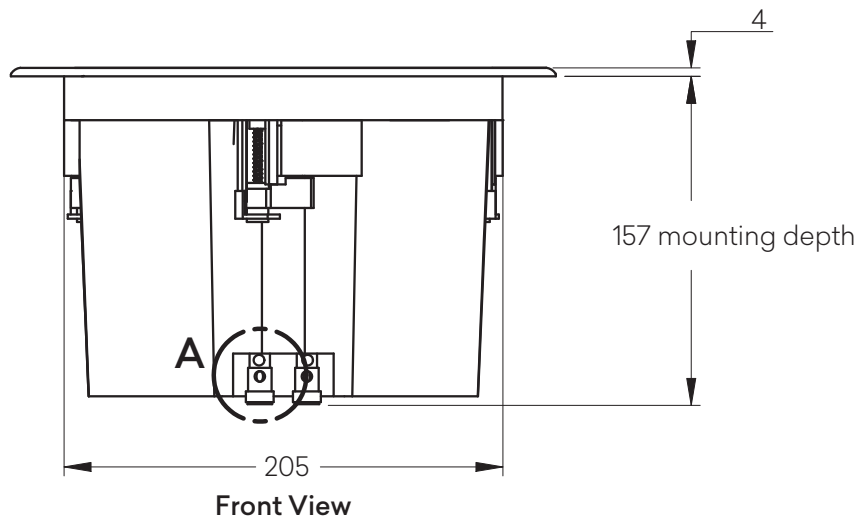
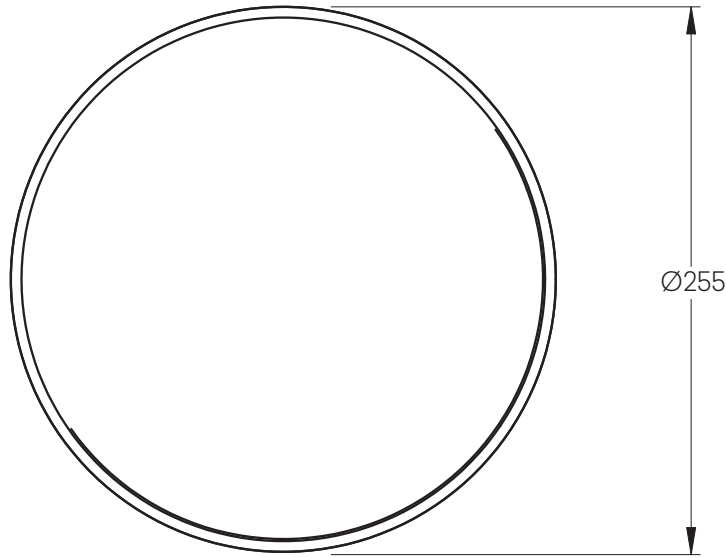
FEATURES

- Sound directed to your listening position
- High fidelity performance in your ceiling
- Fully-enclosed back box



	IC-32
Frequency Range	65Hz - 40kHz (in room response)
Power Handling	20 - 100 Watts RMS recommended amplifier power
Sensitivity	86 dB (2.83V / 1m)
Impedance	Nominal 6 Ohms (Minimum 4.2 Ohms)
Configuration	2-Way
Low Frequency Driver	Nominal 100mm (4") doped paper cone. 25mm (1") voice coil wound on high temperature Kapton former
High Frequency Driver	20mm (¾") ring radiator, adjustable 'eyeball'
Enclosure Type	Bass reflex, front vented
Input Terminals	Gold plated spring terminals
Dimensions	255mm diameter x 157mm mounting depth
Cut Out Diameter	207mm diameter recommended (template provided)
Net Weight	2 kg

DETAILED DIMENSIONS



Cut-out Dimensions	Ø 208mm
Mounting Depth	157mm
Clamping Thickness	6-30mm
Binding Post Hole Size	Ø 3.5mm
Maximum Wire Gauge	12 AWG

