

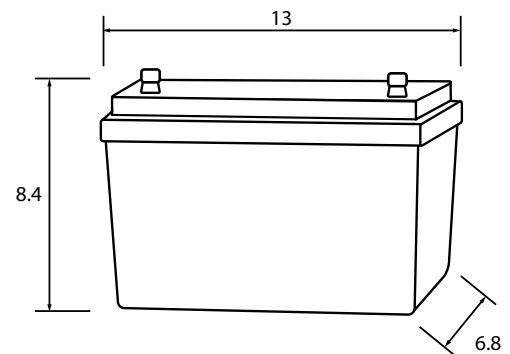
## FEATURES:

- High energy density
- Automatic protection with internal battery management system
- Low self-discharge rate
- Long cycle life
- Excellent performance in all operating temperatures

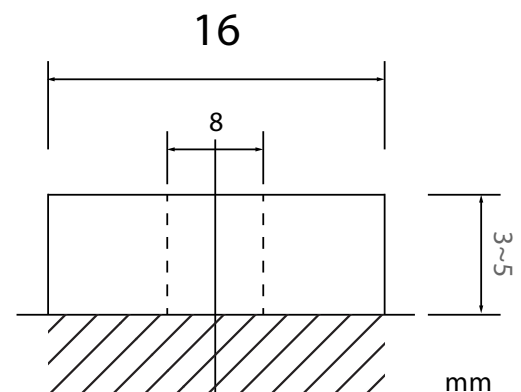
## BATTERY SPECIFICATIONS

Nominal Characteristics	
Nominal Voltage /V	12.8V
Nominal Capacity /Ah (25°C , 0.2C)	≥ 100Ah
Mechanical Characteristics	
Weight	22.6 lbs
Dimensions LxWxH	13 x 6.8 x 8.4 in
Terminal	M8
Electrical Characteristics	
Voltage Window	9.2 – 14.6V
Charge Voltage	14.4V
Standby Voltage	13.8V
Max. Continue Discharge Current	100A
Max. Permanent Discharge Current	200A 2Sec.
Max. Continue Charge Current	50A
Operation Conditions	
Cycle Life (+20°C 0.2C 100%DOD)	>2500 Cycles
Operating Temperature	Discharge: - 4 – 140°F Charge: 32 – 140°F
Storage Temperature	32 – 86°F
Storage Duration	12 Months at 77°F
Safety Standard	UI1642 at cell level

## BATTERY DIMENSIONS:



## TERMINAL DIMENSIONS:



## BMS SPECIFICATIONS

Protection		Protection Condition		Recovery
Current	Charging	> 100A	Delay 15 ± 2S	a. Discharge > 1A or b. 45 ± 2S
		> 120 ± 2.5A	Delay 2 ± 1S	
	Discharging	> 100A	Delay 15 ± 2S	a. Charge > 1A or b. 45 ± 2S
		> 200 ± 2.5A	Delay 2 ± 1S	
		> 250 ± 2.5A	Delay 1 ± 0.5S	
Voltage	Charging	Battery	≥ 14.8V, Delay 1 ~ 2S	a. ≤ 14.0V or b. Discharging > 1A
		Single Cell	≥ 3.8V, Delay 1 ~ 2S	a. ≤ 3.5V or b. Discharging > 1A
	Discharging	Battery	≤ 9.6V, Delay 1 ~ 2S	a. ≥ 12.0V or b. Charging > 1A
		Single Cell	≤ 2V, Delay 1 ~ 2S	a. ≥ 3.0V or b. Charging > 1A
Temperature	Battery	# of Sesnsor(s)	Charging: ≥ 149°F or < 23°F	< 140°F > 32°F
		1	Discharging: ≥ 149°F or < - 13°F	< 140°F and > 5°F
	BMS	# of Sesnsor(s)	≥ 176°F	≤ 149°F
		1		
Cell Balance		Balancing Voltage		3.5 ± 0.05V
		Balancing Current		150 ± 20mA
Short Circuit Protection		Discharging Short Circuit		Disconnect Load