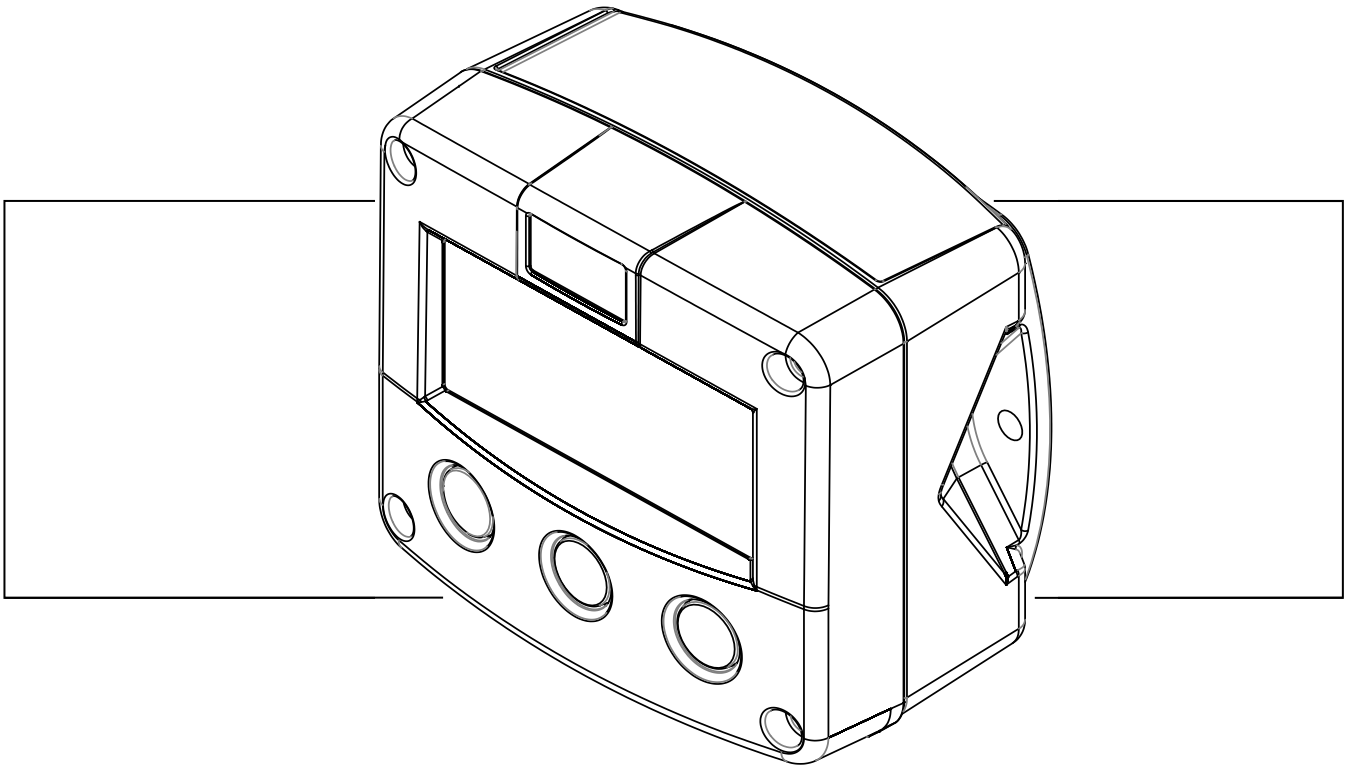


F127-P-EL-TP

DIFFERENTIAL FLOW COMPUTER

temperature compensation for corrected liquid volume



Signal input flowmeter: pulse, Namur and coil

Signal input temperature: PT100

Output: (0)4-20mA / 0-10V ref. corrected flow rate, Scaled pulse ref. accumulated total

Options: Intrinsically safe, Modbus communication and backlight



SAFETY INSTRUCTIONS



- Any responsibility is lapsed if the instructions and procedures as described in this manual are not followed.
- LIFE SUPPORT APPLICATIONS: The F127-P is not designed for use in life support appliances, devices, or systems where malfunction of the product can reasonably be expected to result in a personal injury. Customers using or selling these products for use in such applications do so at their own risk and agree to fully indemnify the manufacturer and supplier for any damages resulting from such improper use or sale.
- Electro static discharge does inflict irreparable damage to electronics! Before installing or opening the F127-P, the installer has to discharge himself by touching a well-grounded object.
- The F127-P must be installed in accordance with the EMC guidelines (Electro Magnetic Compatibility).
- Do connect a proper grounding to the metal enclosure as indicated if the F127-P has an incoming power line which carries a 115-230V AC. The Protective Earth (PE) wire may never be disconnected or removed.
- Intrinsically safe applications: follow the instructions as mentioned in Chapter 0 and consult "Fluidwell F1...-XI - Documentation for Intrinsic safety"

DISPOSAL OF ELECTRONIC WASTE



- The WEEE Directive requires the recycling of disposed electrical and electronic equipment in the European Union. When the WEEE Directive does not apply to your region, we support its policy and ask you to be aware on how to dispose of this product.
- The crossed out wheelee bin symbol as illustrated and found on our products tells that this product shall not be disposed of into the general waste system or into a landfill.
- At the end of its life, equipment shall be disposed of according to the local regulations regarding waste of the electrical and the electronic equipment.
- Please contact your local dealer, national distributor or the manufacturer's Technical helpdesk for information on the product disposal.

SAFETY RULES AND PRECAUTIONARY MEASURES

- The manufacturer accepts no responsibility whatsoever if the following safety rules and precautions instructions and the procedures as described in this manual are not followed.
- Modifications of the F127-P implemented without preceding written consent from the manufacturer, will result in the immediate termination of product liability and warranty period.
- Mounting, electrical installation, start-up and maintenance of this device may only be carried out by trained persons authorized by the operator of the facility. Persons must read and understand this manual before carrying out its instructions.
- This device may only be operated by persons who are authorized and trained by the operator of the facility. All instructions in this manual are to be observed.
- Check the mains voltage and information on the manufacturer's plate before installing the unit.
- Check all connections, settings and technical specifications of the various peripheral devices with the F127-P supplied.
- Open the enclosure only if all leads are free of potential.
- Never touch the electronic components (ESD sensitivity).
- Never expose the system to heavier conditions than allowed according the classification of the enclosure (see manufacture's plate and chapter 4).
- If the operator detects errors or dangers, or disagrees with the safety precautions taken, then inform the owner or principal responsible.
- The local labor and safety laws and regulations must be adhered to.

ABOUT THE MANUAL

This manual is divided into two main sections:

- The daily use of the F127-P is described in chapter 2 “Operational”. These instructions are meant for users.
- The following chapters and appendices are exclusively meant for electricians/technicians. These provide a detailed description of all software settings and hardware installation guidance.

This manual describes the standard unit as well as the available options. For additional information, please contact your supplier.

A hazardous situation may occur if the F127-P is not used for the purpose it was designed for or is used incorrectly. Please carefully note the information in this manual indicated by the pictograms:



A "**warning !**" indicates actions or procedures which, if not performed correctly, may lead to personal injury, a safety hazard or damage of the F127-P or connected instruments.



A "**caution !**" indicates actions or procedures which, if not performed correctly, may lead to personal injury or incorrect functioning of the F127-P or connected instruments.



A "**note !**" indicates actions or procedures which, if not performed correctly, may indirectly affect operation or may lead to an instrument response which is not planned.

WARRANTY AND TECHNICAL SUPPORT

For warranty and technical support for your Fluidwell products, visit our internet site www.fluidwell.com or contact us at support@fluidwell.com.

Hardware version : 03.01.xx
 Software version : 03.01.xx
 Manual : FW_F127PELTP_v1901_02_EN.docx
 © Copyright 2021 : Fluidwell B.V. - The Netherlands.

Information in this manual is subject to change without prior notice. The manufacturer is not responsible for mistakes in this material or for incidental damage caused as a direct or indirect result of the delivery, performance or use of this material.

© All rights reserved. No parts of this publication may be reproduced or used in any form or by any means without written permission of your supplier.

CONTENTS MANUAL

SAFETY INSTRUCTIONS	2
DISPOSAL OF ELECTRONIC WASTE	2
SAFETY RULES AND PRECAUTIONARY MEASURES	2
ABOUT THE MANUAL	3
WARRANTY AND TECHNICAL SUPPORT	3
CONTENTS MANUAL	4
1 INTRODUCTION	5
1.1 System description.....	5
2 OPERATIONAL	6
2.1 Control panel.....	6
2.2 Operator information and functions.....	7
3 CONFIGURATION	8
3.1 How to program the F127-P.....	8
3.1.1 Setup menu - Settings.....	10
3.1.2 Explanation of SETUP-menu 1 - Total-A.....	11
3.1.3 Explanation of SETUP-menu 2 - Flow rate-A.....	12
3.1.4 Explanation of SETUP-menu 3 - Total-B.....	13
3.1.5 Explanation of SETUP-menu 4 - Flow rate-B.....	13
3.1.6 Explanation of SETUP-menu 5 - Display.....	14
3.1.7 Explanation of SETUP-menu 6 - Power management.....	15
3.1.8 Explanation of SETUP-menu 7 - Flowmeter.....	15
3.1.9 Explanation of SETUP-menu 8 - Temperature A/B.....	16
3.1.10 Explanation of SETUP-menu 9 - Formula.....	16
3.1.11 Explanation of SETUP-menu A - Analog output.....	17
3.1.12 Explanation of SETUP-menu B - Pulse.....	18
3.1.13 Explanation of SETUP-menu C - Communication (option).....	19
3.1.14 Explanation of SETUP-menu D - Others.....	19
4 INSTALLATION	20
4.1 General directions.....	20
4.2 Installation / surrounding conditions.....	20
4.3 Dimensions- Enclosure.....	21
4.4 Installing the hardware.....	23
4.4.1. General installation guidelines.....	23
4.4.2. Protective Earth (PE) connections.....	24
4.4.3. Aluminum enclosure - Field mounted.....	25
4.4.4. Aluminum enclosure - Panel mounted.....	25
4.4.5. Plastic (GRP) enclosure.....	26
4.4.6. Terminal connectors.....	27
4.4.7. Sensor supply.....	27
5 INTRINSICALLY SAFE APPLICATIONS	34
5.1 General information and instructions.....	34
5.2 Terminal connectors Intrinsically safe applications.....	36
5.3 Configuration examples Intrinsically safe applications.....	38
6 MAINTENANCE	40
6.1 General directions.....	40
6.2 Instructions for repair.....	40
6.3 Repair policy.....	40
6.4 Battery replacement.....	41
6.4.1 Safety instructions.....	41
6.4.2 Replace the battery (hazardous area).....	41
6.4.3 Disposal of batteries.....	41
APPENDIX A. TECHNICAL SPECIFICATION	42
APPENDIX B. PROBLEM SOLVING	45
APPENDIX C. COMMUNICATION	46
APPENDIX D. DECLARATION OF CONFORMITY	50
INDEX OF THIS MANUAL	51
LIST OF FIGURES IN THIS MANUAL	52

1 INTRODUCTION

1.1 SYSTEM DESCRIPTION

Functions and features

The flow computer, model F127-P is a microprocessor driven instrument for the calculation of differential flow measurement applications using flow equations for liquids. This product has been designed with a focus on:

- two multi-purpose pulse inputs;
- ultra-low power consumption to allow long-life battery powered applications (type PB/PC),
- Intrinsic safety for use in hazardous applications (type XI);
- several mounting possibilities with aluminum or GRP enclosures for harsh industrial surroundings;
- ability to process all types of flowmeter signals;
- transmitting possibilities with analog / pulse and communication outputs.

Flowmeter and temperature input

This manual describes the unit with a pulse input from the flowmeter. The F127-P has also a PT100 temperature input. Other versions are available to process (0)4-20mA signals. Two flowmeters with a passive or active pulse, Namur or sine wave (coil) signal output can be connected to the F127-P. To power the sensor, several options are available.

Standard output

- Pulse output to transmit a pulse that represents a totalized quantity as programmed.
- Linear (0)4-20mA or 0-10V analog output to represent the actual calculated differential flow rate as programmed. The (0)4-20mA or 0-10V signal limits can be tuned.

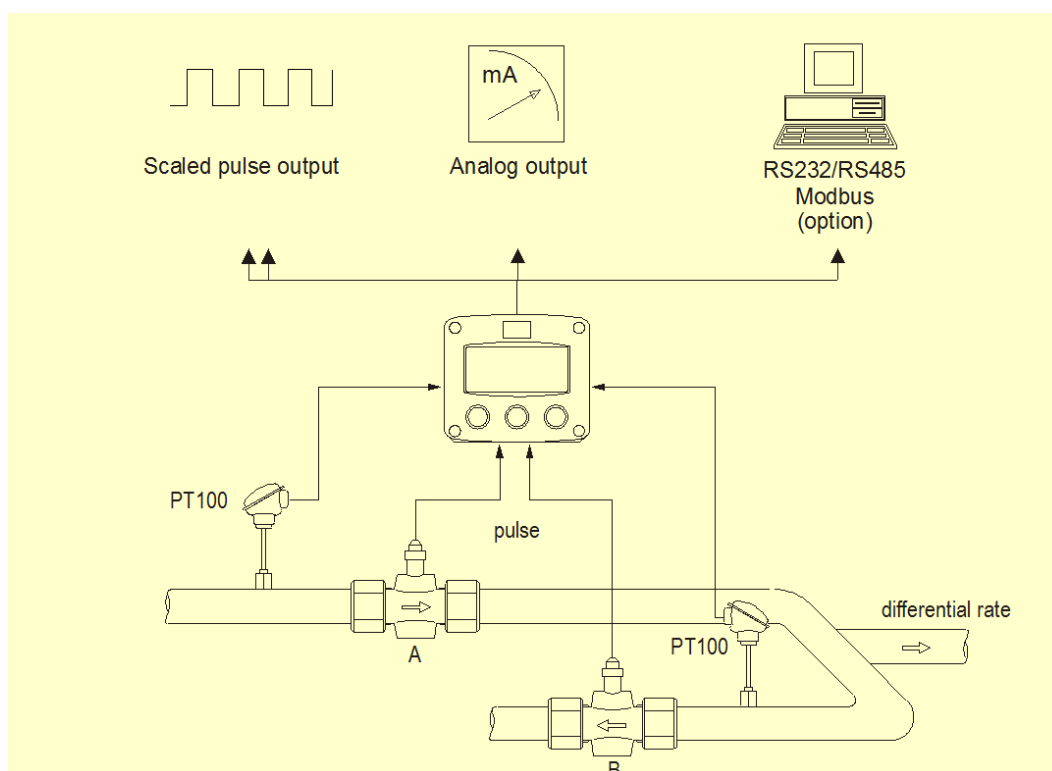


Fig. 1: Typical application

Configuration

The F127-P is designed for use in many types of applications. For that reason, a setup menu is available to program the F127-P according to your specific requirements.

The setup includes several important features, such as K-Factors, engineering units, signal selection, power management (to extend battery life-time), etc. All settings are stored in a non-volatile memory and therefore kept in the event of a power failure or an exhausted battery.

Display information

The unit has a LCD with (optional) backlight to show the process information, status and alarm messages. The display refresh rate is programmed in the setup menu.

At a key press, the display refresh rate will switch to FAST for 30 seconds. When 'OFF' is selected, the display goes off after 30 seconds after the last key press. The display temporarily comes on after a key press.

A backup of the total and accumulated total in EEPROM memory is made every minute.

Backlight

A backlight is available as an option. The brightness can be tuned as desired (requires power supply type PD/PF/PM). For battery and loop powered applications the backlight will not function.

Options

The following options are available: isolated or active (0)4-20mA / 0-10V analog output, full Modbus communication RS232/485/TTL (also battery powered), Intrinsic safety, mechanical relay or active output, power- and sensor-supply options, extended measurement range for PT100, panel-mount, wall-mount and weather-proof enclosures, flame proof enclosure and LED backlight.

2 OPERATIONAL



Caution !

- This device may only be operated by persons who are authorized and trained by the operator of the facility. All instructions in this manual are to be observed.
- Take careful notice of the "Safety rules, instructions and precautionary measures" in the front of this manual.

This chapter describes the daily use of the F127-P. This instruction is meant for users / operators.

2.1 CONTROL PANEL

The control panel has three keys. The available keys are:



Fig. 2: Control panel

Functions of the keys



This key is used to program and save new values or settings. The PROG/ENTER key is also used to gain access to the setup menu (read chapter 3).



This key is used to select the accumulated total and temperature. The SELECT/▲ key is also used to increase a value after the PROG/ENTER key has been pressed (read chapter 3)..



This key is used to reset the total. The CLEAR/▶ key is also used to select a digit or an option after the PROG/ENTER key has been pressed (read chapter 3).

2.2 OPERATOR INFORMATION AND FUNCTIONS

In general, the F127-P operates in the operator mode. The shown information depends on the settings which are made in the setup menu.

The signal from the connected sensor is processed by the F127-P in the background, independent from the selected display refresh rate.



Fig. 3: Process information (typical)

For the Operator, the following functions are available:

- Display calculated differential flow rate and calculated differential total**
 This is the main display information of the F127-P. After the selection of any other information, it will always return to this main display automatically. Total is shown on the upper line of the display and flow rate on the bottom line. When selected in the setup menu, the display shows the flow rate only. When you press the select key, the total shows momentarily.
 When "-----" is shown, then the flow rate value is too high to be shown. The arrows \blacklozenge indicate the increase/decrease of the flow rate trend. If the consumption is very low, it might be that a stable low flow rate and total is shown; this is due to the settings of the F127-P.
- Clear total**
 The value for total can be reset. To do so, press the CLEAR/ \blacktriangleright key twice. When the key is pressed once, the text "PUSH CLEAR" is shown. To avoid a reset at this stage, press another key other than the CLEAR/ \blacktriangleright key or wait for 20 seconds. A reset of the total does not influence the accumulated total.
 Type IB: When a Normally Closed (NC) contact is used, the local clear total function is disabled and a clear total is only possible with the external reset command.
- Display calculated differential accumulated total**
 When the SELECT/ \blacktriangle key is pressed, total and accumulated total are shown. The accumulated total cannot be reset. The value will count up to 99,999,999,999. The unit and number of decimals are shown according to the settings for the total.
- Display line temperature and calculated flow rate INLET / OUTLET**
 When the SELECT/ \blacktriangle key is pressed twice, the actual INLET / OUTLET temperature is shown at the top line of the display. At the bottom line, the calculated INLET / OUTLET flow rate is shown together with the engineering units for flow rate and temperature
- Range error**
 As soon as the input value is out of the calibrated PT100 measurement range, the alarm indicator shows. When the SELECT/ \blacktriangle key is pressed a few times, the alarm code is shown in the alarm display. This alarm is also activated at a wire break or faulty sensor.
 (standard range -100°C - +200°C or extended range, type ZV: -200° - +800°C).
- Low-battery alarm**



Note !

*Only use original batteries. Original batteries can be ordered at the manufacturer.
The use of unapproved batteries will void the warranty.*

At the end of the battery's life-time, the voltage starts to drop. When the voltage becomes too low, the battery indicator comes on. When the battery indicator is on, install a new and fresh battery as soon as possible.

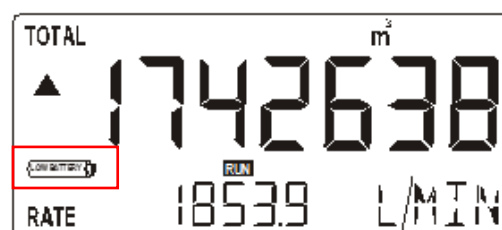


Fig. 4: Low-battery alarm (typical)

- Alarm**
 When the alarm indicator is shown, refer to Appendix B: Problem Solving.

3 CONFIGURATION

This and the following chapters are exclusively meant for electricians and non-operators. In these, an extensive description of all software settings and hardware connections are provided.



Caution !

- Mounting, electrical installation, start-up and maintenance of this device may only be carried out by trained persons authorized by the operator of the facility. Persons must read and understand this manual before carrying out its instructions.
- This device may only be operated by persons who are authorized and trained by the operator of the facility. All instructions in this manual are to be observed.
- Make sure, the measuring system is correctly wired up according to the wiring diagrams. Protection against accidental contact is no longer assured when the enclosure cover is removed or the panel cabinet has been opened (danger from electrical shock). The enclosure may only be opened by trained persons authorized by the operator of the facility.
- Take careful notice of the "Safety rules, instructions and precautionary measures" in the front of this manual.

The SETUP menu is used to program the F127-P

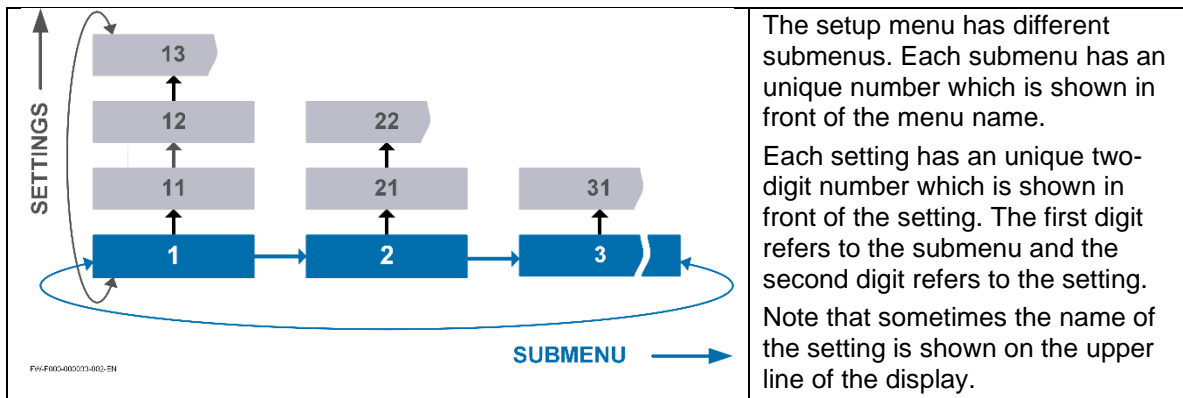
The SETUP menu is accessible at all times while the F127-P remains fully operational. Be aware that in this case any change to the settings may have an influence on the operation.



Note !

It is possible to prevent access to the SETUP menu with a password. A password may be required to enter the SETUP menu. Without this password, access to SETUP is denied.

3.1 HOW TO PROGRAM THE F127-P



How to enter the setup menu

When the setup menu is protected by a password, the F127-P asks for a password to access the setup menu. When in the operator mode, press and hold the PROG/ENTER key for 7 seconds to access the setup menu.

How to navigate in the setup menu

The setup menu has different submenus to program the F127-P. For navigation, the submenus and the settings are identified with numbers (for the submenu: e.g. 1; for the setting: e.g. 12.). The CLEAR/▶ key and the PROG/ENTER key are used for navigation. The explanation assumes that you are in the submenu TOTAL.

Action	Result	Remark
1	Press the CLEAR/▶ key to select the next submenu.	• The submenu FLOW RATE shows -
2	Press again to go to the next submenu.	• The submenu DISPLAY shows. -
3	Momentarily, press the PROG/ENTER key to select the previous submenu.	• The submenu FLOW RATE shows The PROG/ENTER key is used as a ◀ key.
4	Press again to go to the previous submenu.	• The submenu TOTAL shows The PROG/ENTER key is used as a ◀ key.

The SELECT/▲ key and the CLEAR/▶ key are used for navigation.

The explanation assumes that you are in the submenu TOTAL. When you are:

- in the first setting and you navigate to the previous setting, the F127-P goes back to the related main menu.
- in the last setting and you navigate to the next setting, the F127-P goes to the related main menu.

Action	Result	Remark	
1	Press the SELECT/▲ key to select the first setting.	• The setting UNIT shows.	-
2	Press the SELECT/▲ key again to go to the next setting.	• The setting DECIMALS shows.	-
3	Press the CLEAR/▶ key to select the previous setting.	• The setting UNIT shows.	-
4	Press the CLEAR/▶ key again to go to the previous setting.	• The submenu TOTAL shows	This is normal behavior because the setting UNIT is the first setting of the submenu TOTAL.

How to make a setting



Caution !

Changes are only saved when you press the PROG/ENTER key.

The explanation assumes that you are in the submenu TOTAL and the setting UNIT. When you do not want to save the change, wait for approximately 20 seconds or press and hold the PROG/ENTER key for approximately 3 seconds.



Action	Result	Remark	
1	Momentarily, press the PROG/ENTER key.	• The PROG indicator blinks. • The engineering unit L shows.	To access the setting.
2	Press the SELECT/▲ key to select the next engineering unit.	• The PROG indicator blinks. • The engineering unit m ³ shows.	If you wait too long, the program mode goes off and changes are not saved, this is normal behavior.
3	Press the SELECT/▲ key to select the next engineering unit.	• The PROG indicator blinks. • The engineering unit US GAL shows.	-
4	Press the CLEAR/▶ key to select the previous engineering unit	• The PROG indicator blinks. • The engineering unit m ³ shows.	-
5	To confirm the changes: Momentarily, press the PROG/ENTER key.	• The PROG indicator goes off. • The change is saved. • The engineering unit m ³ shows.	If you do not press the PROG/ENTER key to confirm, your selection is not saved.
	To discard the changes: Press and hold the PROG/ENTER key for approximately 3 seconds.	• The PROG indicator goes off. • The change is discarded. • The engineering unit L shows.	-

3.1.1 SETUP MENU - SETTINGS

1	TOTAL-A	
11	unit	L; m3; kg; lb; GAL; USGAL; bbl; no unit
12	decimals	0000000; 111111.1; 22222.22; 3333.333
13	K-factor	0.000010 - 9999999
14	decimals K-factor	0 - 6
2	FLOW RATE-A	
21	unit	mL; L; m3; mg; g; kg; ton; gal; bbl; lb; cf; rev; - - - - (no unit); scf; nm3; nL; p
22	time	/sec; /min; /hour; /day
23	decimals	0000000; 111111.1; 22222.22; 3333.333
24	K-factor	0.000010 - 9999999
25	decimals K-factor	0 - 6
26	filter	0 - 99
27	period	0.1 - 99.9 seconds
3	TOTAL-B	
31	K-factor:	0.000010 - 9999999
32	decimals K-factor	0 - 6
4	FLOW RATE-B	
41	K-factor	0.000010 - 9999999
42	decimals K-FACTOR	0 - 6
5	DISPLAY	
51	function	total; rate
52	light	0% (off); 20%; 40%; 60%;- 80%; 100% (full brightness)
53	measurement	bi-direct; not negative; threshold; stationary
54	stationary flow rate	0000.000 - 9999999
55	stationary total	0000.000 - 9999.999
6	POWER MANAGEMENT	
61	LCD new	fast; 1 sec; 3 sec; 15 sec; 30 sec; off
62	battery mode	operational; shelf
7	FLOWMETER	
71	signal A	npn; npn-lp; reed; reed-lp; pnp; pnp-lp; namur; coil-hi; coil-lo; 8-1 DC; 12 DC; 24 DC
72	signal B	npn; npn-lp; reed; reed-lp; pnp; pnp-lp; namur; coil-hi; coil-lo; 8-1 DC; 12 DC; 24 DC
8	TEMPERATURE A/B	
81	display	°C; °F; K
82	no. of wires	2; 3
83	filter	01 - 99
9	FORMULA	
91	equations type	EL (fixed)
92	thermal expansion coefficient	0.000000 - 9.999999 (*10-3/K)
93	normal temperature	0.00 - 99,999.99 K
A	ANALOG	
A1	output	disable; enable
A2	rate-min	000.000 - 999999
A3	rate-max	000.000 - 999999
A4	cut-off	0.0 - 9.9%
A5	tune-min	0 - 9999
A6	tune-max	0 - 9999
A7	filter	01 - 99




B PULSE			
B1	mode		signed; not negative; separated
B2	width		0.001 – 9
B3	decimals		0000000; 111111.1; 22222.22; 3333.333
B4	amount		0.001 – 9999999
C COMMUNICATION			
C1	speed		1200; 2400; 4800; 9600
C2	address		1 - 247
C3	mode		bus-rtu; bus-asc; off
D OTHERS			
D1	model		F127-P
D2	software version		nn:nn:nn
D3	serial no.		nnnnnnn
D4	password		0000 - 9999
D5	tag-nr		0000000 - 9999999

3.1.2 EXPLANATION OF SETUP-MENU 1 - TOTAL-A

1 TOTAL-A		
11	unit	<p>This setting is used to select the engineering unit for the indication of the total (A and B), the accumulated total (A and B), and the pulse output.</p> <p>When you change the engineering unit, you must recalculate and reprogram the K-factor for the (accumulated) total. When you recalculate and reprogram the K-Factor, the history for (accumulated) total is not correct anymore, because the (accumulated) total is not recalculated. For future reference, best practice is to make a note of the accumulated total before you program the recalculated K-Factor.</p> 
12	decimals	<p>This setting is used to set the amount of digits behind the decimal point for the (accumulated) total indication (A and B).</p>
13	K-factor	<p>This setting is used to set the K-Factor for the total (A). With the K-Factor, the flowmeter pulse signals are converted to a quantity. The K-Factor is based on the number of pulses generated by the flowmeter per selected engineering unit, for example per m³. A more accurate K-Factor (more decimals, as set in decimals K-Factor) allows for a more accurate operation of the system.</p> <p>Example 1: Calculating the K-Factor. The flowmeter generates 2.4813 pulses per liter and the selected unit is m³. A cubic meter consists of 1000 liter which gives 2.4813 pulses*1000 liter=2481.3 pulses per m³. So, the K-Factor is 2481.3. Enter for the Flowmeter K-Factor: 24813 and for the flowmeter K-Factor decimals: 1.</p> <p>Example 2: Calculating the K-Factor. The flowmeter generates 6.5231 pulses per gallon and the selected engineering unit is gallons. So, the K-Factor is 6.5231. Enter for the Flowmeter K-Factor: 65231 and for the Flowmeter K-Factor decimals: 4.</p> <p>When you recalculate and reprogram a new K-Factor, the history for (accumulated) total is not correct anymore, because the (accumulated) total is not recalculated. For future reference, best practice is to make a note of the accumulated total before you program the recalculated K-Factor.</p> 
14	decimals K-factor	<p>This setting is used to set the amount of digits behind the decimal point for the K-Factor (A).</p>

3.1.3 EXPLANATION OF SETUP-MENU 2 - FLOW RATE-A

The settings for total and flow rate are entirely separate. In this way, different engineering units can be used for each e.g. cubic meters for total and liters for flow rate.

2		FLOW RATE-A				
21	unit	 <p>This setting is used to select the engineering unit for the indication of the flow rate (A and B).</p> <p>Alteration of the engineering unit will have consequences for operator and setup values, they will not be automatically recalculated to the value of the new selected unit. The K-Factor has to be adapted as well; the calculation is not done automatically.</p>				
22	time	 <p>This setting is used to set the time unit for the flow rate calculation (A and B). Note that the flow rate is given in engineering unit/time unit, e.g. liters/minute (l/min).</p> <p><i>When you change this setting, also recalculate and change the settings for the analog rate-min and analog rate-max.</i></p>				
23	decimals	This setting is used to set the amount of digits behind the decimal point for the flow rate indication (A and B).				
24	K-factor	This setting is used to set the K-Factor for the flow rate (A). With the K-Factor, the flowmeter pulse signals are converted to a quantity. The K-Factor is based on the number of pulses generated by the flowmeter per selected engineering unit, for example per m ³ . A more accurate K-Factor (more decimals, as set in decimals K-Factor) allows for a more accurate operation of the system.				
25	decimals K-factor	This setting is used to set the amount of digits behind the decimal point for the K-Factor (A).				
26	filter	<p>This setting is used to stabilize the output signal. With the help of this digital filter a more stable but less actual representation of the flow rate can be obtained.</p> <p>The filter principal is based on three input values: the filter level (01-99), the last calculated flow rate and the last average value. The higher the filter level, the longer the response time on a value change will be.</p>				
	filter value	RESPONSE TIME ON STEP CHANGE OF ANALOG VALUE. TIME IN SECONDS				
	influence	50%	75%	90%	99%	
	01	filter disabled	filter disabled	filter disabled	filter disabled	
	02	0.1 sec	0.2 sec	0.4 sec	0.7 sec	
	03	0.2 sec	0.4 sec	0.6 sec	1.2 sec	
	05	0.4 sec	0.7 sec	1.1 sec	2.1 sec	
	10	0.7 sec	1.4 sec	2.2 sec	4.4 sec	
	20	1.4 sec	2.8 sec	4.5 sec	9.0 sec	
	30	2.1 sec	4.0 sec	7.0 sec	14 sec	
	50	3.5 sec	7.0 sec	11 sec	23 sec	
	75	5.2 sec	10 sec	17 sec	34 sec	
	99	6.9 sec	14 sec	23 sec	45 sec	
27	period	 <p>This setting is used to calculate the flow rate by counting the number of pulses within a certain time, for example 1 second. The longer the time the more accurate the flow rate will be.</p> <ul style="list-style-type: none"> <i>This setting does influence the update time for the analog output directly. If the output response is too slow, decrease the number of pulses.</i> <i>The shorter the update time, the higher the power consumption of the unit will be (important for battery powered applications).</i> 				

3.1.4 EXPLANATION OF SETUP-MENU 3 - TOTAL-B



Note !

The engineering units are the same as used in SETUP-menu 1 - Total-A.

3 TOTAL-B		
31	K-factor	This setting is used to set the K-Factor for the total (B). With the K-Factor, the flowmeter pulse signals are converted to a quantity. The K-Factor is based on the number of pulses generated by the flowmeter per selected engineering unit, for example per m ³ . A more accurate K-Factor (more decimals, as set in decimals K-Factor) allows for a more accurate operation of the system.
32	decimals K-factor	This setting is used to set the amount of digits behind the decimal point for the (accumulated) total indication (B).

3.1.5 EXPLANATION OF SETUP-MENU 4 - FLOW RATE-B





Note !

The engineering units are the same as used in SETUP-menu 2 - Flow rate-A.

4 FLOW RATE-B		
41	K-factor	This setting is used to set the K-Factor for the flow rate (B). With the K-Factor, the flowmeter pulse signals are converted to a quantity. The K-Factor is based on the number of pulses generated by the flowmeter per selected engineering unit, for example per m ³ . A more accurate K-Factor (more decimals, as set in decimals K-Factor) allows for a more accurate operation of the system.
42	decimals K-factor	This setting is used to set the amount of digits behind the decimal point for the K-Factor (B).

3.1.6 EXPLANATION OF SETUP-MENU 5 - DISPLAY

5		DISPLAY
51	function	<p>This setting can be set to display total or rate.</p> <ul style="list-style-type: none"> • When 'total' is selected, simultaneously, total is shown with the large digits and flow rate with the smaller digits. When SELECT is pressed, the accumulated total is shown temporarily. • When 'rate' is selected, only flow rate will be shown with the large digits together with its measuring unit. When SELECT is pressed, the total and the accumulated total are shown temporarily.
52	light	<p>The backlight brightness can be adjusted from 0% (off) to 100% (full brightness) in steps of 20%.</p> <p>When the F127-P is only loop powered, the backlight is disabled. An external power supply is required to supply the backlight.</p>
53	measurement bi-directional not negative threshold stationary	<p>To solve undesired display readings during low or even negative consumption situations, four different measurement methods have been implemented. Note that the selection does influence the analog output value (ref. flow rate) as well.</p> <p>Shown flow rate: positive and negative. Shown total: increases or decreases.</p> <p>Shown flow rate: only positive or zero. Shown total: increases or decreases.</p> <p>Shown flow rate: as soon as the flow rate is lower than SETUP 54 or negative, zero flow rate is shown. Shown total: as soon as the flow rate is lower than SETUP 54 or negative, totalization will stop.</p> <p>Shown flow rate: as soon as the flow rate is lower than SETUP 54 or negative, the stationary flow rate (SETUP 54) is shown. Shown total: as soon as the flow rate is lower as SETUP 54 or negative, stationary totalization (SETUP 55) will be activated. However, if the value of setting 54 is zero, totalization increases or decreases.</p>
54	stationary flow rate threshold stationary  Note !	<p>Enter here the flow rate according SETUP 53: threshold or stationary. The time and measuring units are according to flow rate SETUP 21 and 22.</p> <p>Flow rate zero is shown as soon as the flow rate will be lower as this setting.</p> <p>As soon as the flow rate is lower as this setting, this flow rate is shown.</p> <p><i>If the flowmeters do not generate pulses, the flow rate shows zero.</i></p>
55	stationary total  Note !	<p>Enter here a flow rate per hour according to SETUP 53 – 'stationary'. The measuring unit is according to TOTAL (A and B) - SETUP 11. This flow rate is converted to a total which will be used as long as the flow rate is lower as SETUP 54.</p> <ul style="list-style-type: none"> • <i>If the flowmeters do not generate pulses, the totalization will stop.</i> • <i>This function is disabled if value zero has been entered.</i>

3.1.7 EXPLANATION OF SETUP-MENU 6 - POWER MANAGEMENT

When used with the internal battery option (type PB/PC), the user can expect reliable measurement over a long period of time. The F127-P has several smart power management functions to extend the battery life time significantly. Two of these functions can be set.

6 POWER MANAGEMENT		
61	lcd new	<p>The calculation of the display-information influences the power consumption significantly. When the application does not require a fast display refresh rate, it is strongly advised to select a slow refresh rate. Please understand that NO information will be lost; every pulse will be counted and the output signals will be generated in the normal way.</p> <p>At a key press, the display refresh rate will switch to FAST for 30 seconds. When 'OFF' is selected, the display goes off after 30 seconds after the last key press. The display temporarily comes on after a key press.</p> <p>Example battery life-time with a coil pick-up:</p> <ul style="list-style-type: none"> • 1kHz pulse and FAST update: about 2 years; • 1kHz pulse and 1 sec update: about 5 years.
62	battery mode	<p>The F127-P has two modes: operational or shelf.</p> <p>After "shelf" has been selected, the F127-P can be stored for several years; it will not process the sensor signal; the display is switched off but all settings and totals are stored. In this mode, power consumption is extremely low.</p> <p>To wake up the F127-P again, press the SELECT/▲ key two times.</p>

3.1.8 EXPLANATION OF SETUP-MENU 7 - FLOWMETER

The F127-P is able to handle several types of input signal. The pickup / signal is selected with:

- SETUP 71 (Input A), Read also chapter 4
- SETUP 72 (Input B), Read also chapter 4.



Note !

The selections "active pulse" offer a detection level of 50% of the supply voltage.

7 FLOWMETER					
71/72	SIGNAL				
	TYPE OF SIGNAL	EXPLANATION	RESISTANCE	FREQ. / mV	REMARK
	NPN	NPN input	100 kΩ pull-up	max. 6 kHz.	(open collector)
	NPN-LP	NPN with low pass filter	100 kΩ pull-up	max. 1.2 kHz.	(open collector) less sensitive
	REED	Reed-switch input	1 MΩ pull-up	max. 600 Hz.	
	REED-LP	Reed-with low pass filter	1 MΩ pull-up	max. 120 Hz.	Less sensitive
	PNP	PNP input	100 kΩ pull-down	max. 6 kHz.	
	PNP-LP	PNP with low pass filter	100 kΩ pull-down	max. 1.2 kHz.	Less sensitive
	NAMUR	NAMUR input	820 Ω pull-down	max. 4 kHz.	External power required
	COIL-HI	High sensitive coil input	-	min. 20 mV _{pp}	Sensitive for interference!
	COIL-HI (option ZF)			min. 10 mV _{pp}	
	COIL-HI (option ZG)			min. 5 mV _{pp}	
	COIL-LO	Low sensitive coil input	-	min. 80 mV _{pp}	Normal sensitivity
	8-1 DC	Active pulse input detection level 8.2V DC	3.9 kΩ	max. 10 kHz.	External power required
	12 DC	Active pulse input detection level 12V DC	4 kΩ	max. 10 kHz.	External power required
24 DC	Active pulse input detection level 24V DC	3 kΩ	max. 10 kHz.	External power required	

3.1.9 EXPLANATION OF SETUP-MENU 8 - TEMPERATURE A/B






8		TEMPERATURE A/B			
81	display	This setting is used to program the temperature unit which is shown to the operator. This setting does not influence the actual calculations.			
82	no. of wires	This setting is used to program the number of wires for the PT100 sensors.			
83	filter	<p>The analog output signal of a sensor represents the actual temperature. This signal is measured several times a second. The value measured is a "snap-shot" of the real temperature as it will be fluctuating.</p> <p>With the help of this digital filter a stable and accurate reading can be obtained while the filter level can be set to a desired value.</p> <p>The filter principal is based on three input values: the filter level (01-99), the last measured analog value and the last average value. The higher the filter level, the longer the response time on a value change will be..</p>			
	filter value	Response time on step change of analog value. (Time in seconds).			
	influence	50%	75%	90%	99%
	10	1.8 sec	3.5 sec	5.6 sec	11 sec
	20	3.5 sec	7.0 sec	11 sec	23 sec
	30	5.3 sec	10 sec	17 sec	34 sec
	50	8.8 sec	17 sec	29 sec	57 sec
	75	13 sec	26 sec	43 sec	86 sec
	99	17 sec	34 sec	57 sec	114 sec

3.1.10 EXPLANATION OF SETUP-MENU 9 - FORMULA

9		FORMULA			
91	equations type	<p>This setting shows the formula. The type EL stands for Equations Liquid - flow computer for corrected liquid volume</p> <p>The formula used: $Q_{normal} = Q * (1 + \alpha (T_{normal} - T))$ where:</p> <p>Q_{normal} : calculated volume at reference conditions Q : measured volume α : thermal expansion coefficient T_{normal} : reference temperature T : measured temperature</p>			
92	thermal expansion coefficient	<p>Enter here the thermal expansion coefficient α for the liquid used. The value to be entered has to be multiplied with 1000. The decimal position is fixed but cannot be shown: x,xxxxxx.</p> <p>With the default value of 0.000000 the volume correction is <u>disabled</u>.</p> <p>Examples: Calculation of the thermal expansion coefficient α for water is 0,00031 per K. Enter: 0310000. α for petrol is 0,00110 per K. Enter: 1100000.</p>			
93	normal temperature	Enter here the reference temperature T_{normal} in degrees Kelvin (K). In most applications, the volume has to be calculated at 15°C which is 288,15 K.			

3.1.11 EXPLANATION OF SETUP-MENU A - ANALOG OUTPUT

A linear 4-20mA signal (option AB: 0-20mA or option AU: 0-10V) output signal is generated that represents the flow rate. The settings for the flow rate influence the analog output directly. The relationship between the flow rate and the analog output is set with the following settings.

A ANALOG OUTPUT		
A1	output	<p>If the analog output is not used, select disable to minimize the power consumption (e.g. save battery life-time).</p> <p><i>Option AP: When a power supply is available but the output is disabled, a 3.5mA signal will be generated.</i></p> 
A2	rate-min	<p>Enter here the flow rate at which the output should generate the minimum signal (0)4mA or 0V - in most applications at zero flow. The number of decimals shown depend upon setup 23. The engineering units/time (e.g. L/min) are dependent upon setup 21 and 22.</p>
A3	rate-max	<p>Enter here the flow rate at which the output should generate the maximum signal (20mA or 10V) - in most applications at maximum flow. The number of decimals shown depend upon setup 23. The engineering units/time (e.g. L/min) are dependent upon setup 21 and 22.</p>
A4	cut-off	<p>To ignore leakage of the flow for example, a low flow cut-off can be set as a percentage of the full range of 16mA, 20mA or 10V. When the flow is less than the required rate, the current will be the minimum signal (0)4mA or 0V.</p> <p>Example: Calculate the cut-off. Rate-min: 0L/min [4mA], Rate-max: 100 L/min [16mA], Cut-off: 2% Required rate [L/min]: (rate-max - rate-min)*cut-off: (100-0)*2%=2.0L/min Output [mA]: rate-min + (rate-max*cut-off): 4+(16*2%)=4.32mA</p>
A5	tune-min	<p>The (0)4mA or 0V value can be tuned precisely with this setting. The initial minimum analog output value is (0)4mA or 0V. However, this value might differ slightly due to ambient influences such as temperature for example.</p> <p>Before tuning the signal, make sure that the analog signal is idle (not used) for any application!</p> <p>After pressing PROG, the current will be about 4mA (0mA or 0V). The current can be increased / decreased with the arrow keys and is directly active. Press ENTER to store the new value.</p>   <p><i>If required, you can program the analog output 'up-side-down'. The (0)4mA or 0V represents the maximum flow rate and the 20mA or 10V represents the minimum flow rate.</i></p>
A6	tune-max	<p>The 20mA or 10V value can be tuned precisely with this setting. The initial maximum analog output value is 20mA or 10V. However, this value might differ slightly due to ambient influences such as temperature for example.</p> <p>Before tuning the signal, make sure that the analog signal is idle (not used) for any application!</p> <p>After pressing PROG, the current will be about 20mA or 10V. The current can be increased / decreased with the arrow keys and is directly active. Press ENTER to store the new value.</p>   <p><i>If required, you can program the analog output 'up-side-down'. The (0)4mA or 0V represents the maximum flow rate and the 20mA or 10V represents the minimum flow rate.</i></p>

A7	filter	This setting is used to stabilize the output signal. With the help of this digital filter a more stable but less actual representation of the flow rate can be obtained. The filter principal is based on three input values: the filter level (01-99), the last calculated flow rate and the last average value. The higher the filter level, the longer the response time on a value change will be.			
	filter value	RESPONSE TIME ON STEP CHANGE OF ANALOG VALUE. TIME IN SECONDS			
	influence	50%	75%	90%	99%
	01	filter disabled	filter disabled	filter disabled	filter disabled
	02	0.1 sec	0.2 sec	0.4 sec	0.7 sec
	03	0.2 sec	0.4 sec	0.6 sec	1.2 sec
	05	0.4 sec	0.7 sec	1.1 sec	2.1 sec
	10	0.7 sec	1.4 sec	2.2 sec	4.4 sec
	20	1.4 sec	2.8 sec	4.5 sec	9.0 sec
	30	2.1 sec	4.0 sec	7.0 sec	14 sec
	50	3.5 sec	7.0 sec	11 sec	23 sec
	75	5.2 sec	10 sec	17 sec	34 sec
	99	6.9 sec	14 sec	23 sec	45 sec

3.1.12 EXPLANATION OF SETUP-MENU B - PULSE

B	PULSE	
B1	mode	The unit has three scaled pulse output modes. This functionality drives two pulse outputs which, depending on the mode, can be used as follows:
	signed	On pulse output R1 a pulse will be send when the total has increased or decreased with the set quantity (SETUP B4). Pulse output R2 will send a 0 for increase or 1 for decrease.
	not negative	On pulse output R1 a pulse will be sent when the total has increased with the set quantity (SETUP B4). On pulse output R2 the sign of the flow rate will be send (positive=0, negative=1).
	separated	On pulse output R1 a pulse will be sent when the total has increased with the set quantity (SETUP B4). On pulse output R2 a pulse will be sent when the total has decreased with the set quantity (SETUP B4).
B2	width	The pulse width determines the time that the output will be active; in other words the pulse duration. Value "zero" will disable the pulse output. The pulse signal always has a 50% duty cycle, hence the minimum time between the pulses is equal to the pulse width setting. If the frequency should go out of range – when the flow rate increases for example – an internal buffer will be used to "store the missed pulses": As soon as the flow rate slows down, the buffer will be "emptied". It might be that pulses will be missed due to a buffer-overflow, so it is advised to program this setting within its range!
B3	decimals	This setting is used to set the amount of digits behind the decimal point for the amount.
B4	amount	A pulse will be generated every time a certain quantity is added to the total. Enter this quantity here while taking the decimals for pulse into account.

3.1.13 EXPLANATION OF SETUP-MENU C - COMMUNICATION (OPTION)

This product is designed for the connection to a communication network. Products with a communication option do not include cyber security functions. Fluidwell cannot take any responsibility for the cyber security, omissions or errors in the communication safety. To maintain a secure operation, automation and control, it is the sole responsibility of the owner to install and manage the appropriate safety measures to protect the network, the product and the communication against any kind of security breaches.

The functions described below deal with hardware that is not part of the standard delivery. Programming of these functions does not have any effect if this hardware has not been installed. Consult Appendix C and the Modbus communication protocol description for a detailed explanation.

C	COMMUNICATION	
C1	speed	This setting is used to set the Baudrate.
C2	address	This setting is used to set the communication address for the F127-P.
C3	mode	This setting is used to set the Modbus transmission mode. Select OFF to disable the communication.

3.1.14 EXPLANATION OF SETUP-MENU D - OTHERS

For support and maintenance it is important to have information about the characteristics of the F127-P. Your supplier will ask for this information when support is required.

D	OTHERS	
D1	model	This setting shows the model name.
D2	software version	This setting shows the version number of the firmware (software).
D3	serial no.	This setting shows the serial number.
D4	password	This setting is used to set a password (pin code) to limit the access for the setup menu. Only persons who know the pin code can access the setup menu. The pin code 0000 disables the pin code to allow for access by any person.
D5	tag-nr	This setting is used to set a tag number for the F127-P.

4 INSTALLATION

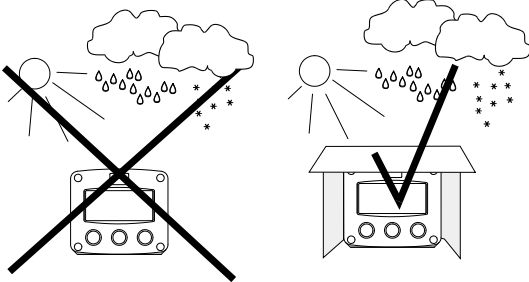
4.1 GENERAL DIRECTIONS



Caution !

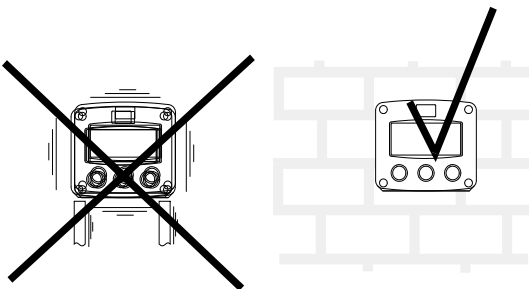
- Mounting, electrical installation, start-up and maintenance of this device may only be carried out by trained persons authorized by the operator of the facility. Persons must read and understand this manual before carrying out its instructions.
- This device may only be operated by persons who are authorized and trained by the operator of the facility. All instructions in this manual are to be observed.
- Make sure, the measuring system is correctly wired up according to the wiring diagrams. Protection against accidental contact is no longer assured when the enclosure cover is removed or the panel cabinet has been opened (danger from electrical shock). The enclosure may only be opened by trained persons authorized by the operator of the facility.
- Take careful notice of the "Safety rules, instructions and precautionary measures" at the front of this manual.

4.2 INSTALLATION / SURROUNDING CONDITIONS



Take the relevant IP classification of the enclosure into account (see identification plate). Even an enclosure rated for IP67 / TYPE 4(X) should NEVER be exposed to strongly varying (weather) conditions.

When used in very cold surroundings or varying climatic conditions, inside the instrument case, take the necessary precautions against moisture.



Mount the F127-P onto a solid structure to avoid vibrations.

For use in Safe and Hazardous Areas (or Locations), the following conditions apply:

Relative humidity:	< 90% RH
Outdoor use:	suitable for outdoor use
IP and TYPE rating:	IP65 (panel mount), IP67 (field mount) and Type 4X
Supply voltage fluctuation:	As indicated by the supply range (e.g. 10V to 30V), otherwise +/- 10% unless stated otherwise
Means of protection:	Intrinsically safe: IS Ordinary locations: Class I (PE connected metal enclosure) Class II (non-metallic enclosure)
Over-voltage category:	II (when supplied from mains)
Pollution degree:	2 (internal environment), 3 (external environment)
Ambient:	Intrinsically safe: -40 °C to +70 °C, -40 °F to +158 °F (limited to +50 °C, 122 °F for EPL Da) Ordinary locations: -40 °C to +80 °C, -40 °F to +176 °F
Altitude:	up to 2000 m

4.3 DIMENSIONS- ENCLOSURE

Aluminum and stainless enclosures (where "H" turns to "HS" for stainless, e.g. HA → HSA):

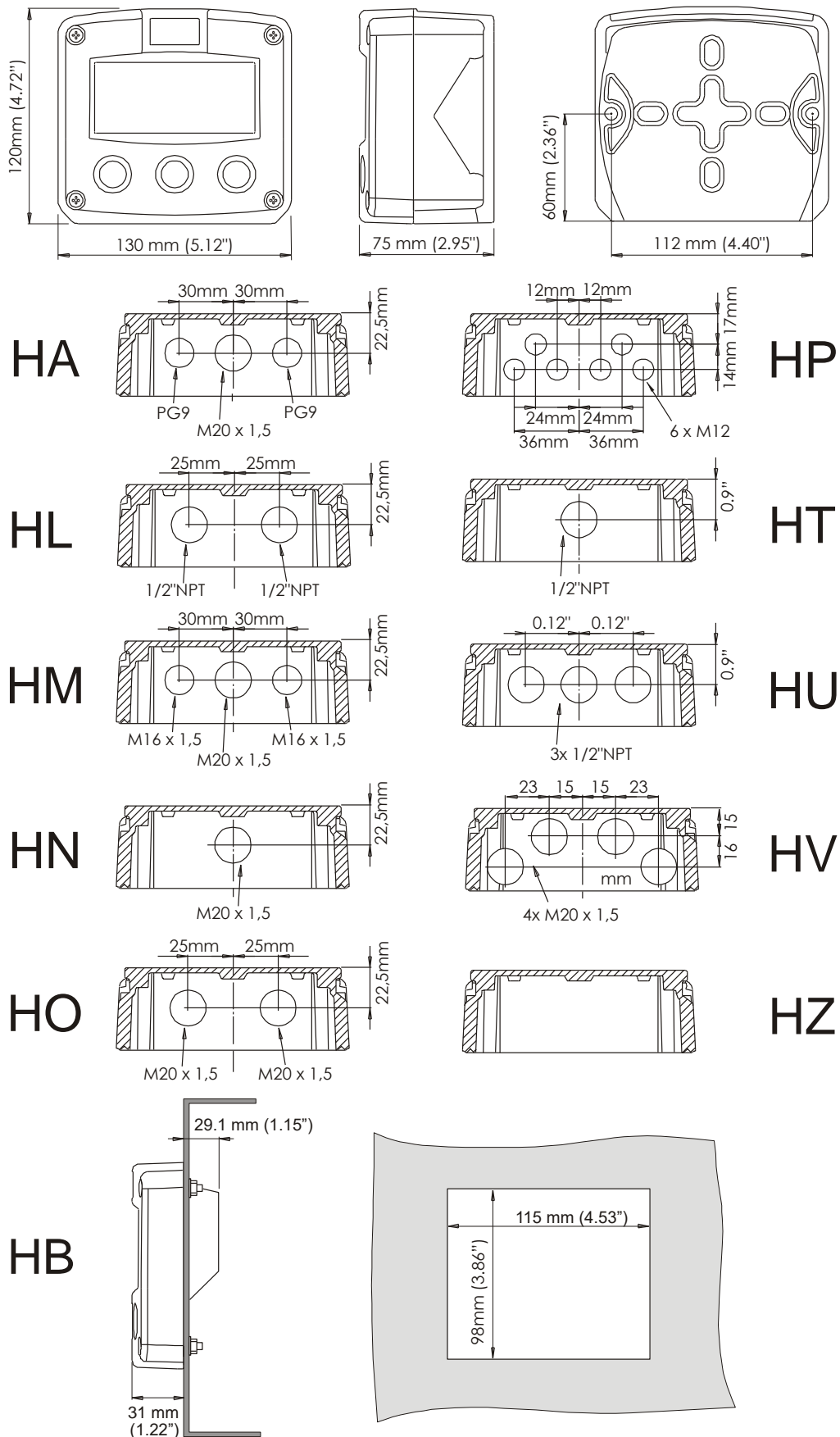


Fig. 5: Aluminum and stainless enclosures – Dimensions

Optionally, metal enclosures are available with a 15 mm, 0.6" deeper rear cover.

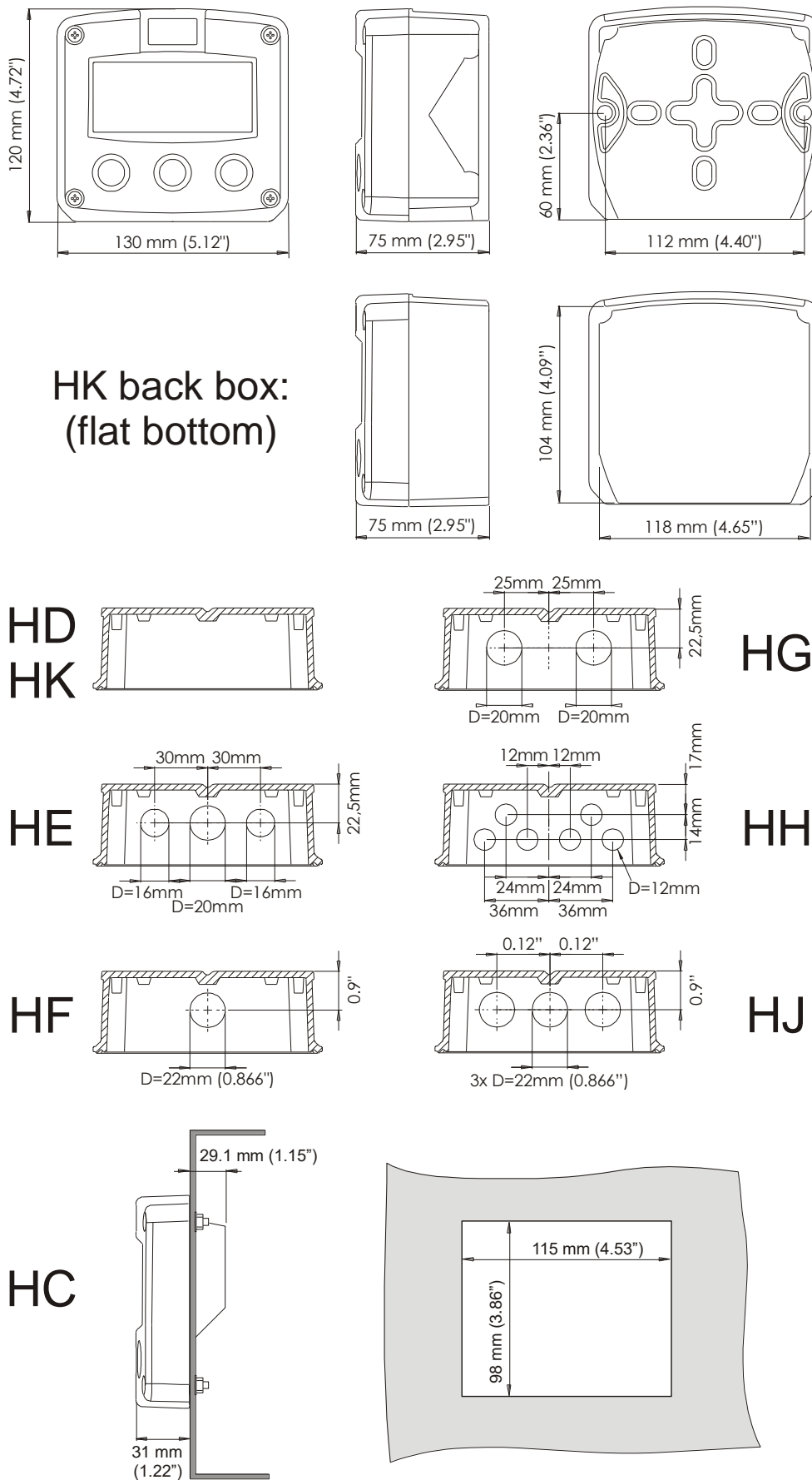


Fig. 6: GRP enclosures - Dimensions

4.4 INSTALLING THE HARDWARE



- Electro static discharge does inflict irreparable damage to electronics! Before installing or opening the F127-P , the installer has to discharge himself by touching a well-grounded object.
- For reasons of ESD and safety, always ground the metal enclosure properly as indicated, especially if the unit has been supplied with the 115-230V AC power-supply type PM or relays type OR. It is the responsibility of the installer to install, connect and test the Protective Earth connections in accordance with the (inter)national Rules and Regulations.
- This chapter shows general information regarding the electrical installation of the F127-P . Chapter 5 gives additional specific information regarding Intrinsically safe installation and overrules the information given in this chapter.



- When installed in an aluminum enclosure and a potentially explosive atmosphere requiring apparatus of equipment protection level Ga and Da, the unit must be installed such that, even in the event of rare incidents, an ignition source due to impact or friction sparks between the enclosure and iron/steel is excluded.
- Do not blend metal front covers with non-metallic rear covers, vice versa and / or cable glands. A metal cover on a non-metallic rear cover could lead to ESD. A metal cable gland in a non-metallic enclosure could invalidate isolation.

4.4.1. GENERAL INSTALLATION GUIDELINES

- The F127-P that came with a power module type PM; 110V-230V AC or type PD/PF with an option OR (the relays can handle 110V-230V AC) shall be connected to the Protective Earth (PE) stud which is installed in the metal back panel. The metal front panel is connected to the Protective Earth by the mounting screws and serrated washers.
- For V AC applications, the terminal 00 shall not be connected to avoid earth loops. For V DC applications, the terminal 00 shall be connected to the common (do NOT use for PE).
- The wire screens (shield) are meant to prevent electromagnetic interference and shall be, galvanic isolated, connected to the common ground terminals that belong to the specific sensor connection. The wire screens shall be terminated at one side to prevent wire loops. Inside of the Fluidwell unit, the different common ground terminals are connected to each other. It is advised, as illustrated, to terminate the wire screens in the vicinity of the sensor and to insulated the wire screen with a shrink tube at the Fluidwell unit side.
- Separate cable glands with effective IP67 / TYPE 4(X) seals for all wires.
- Unused cable entries: ensure that you fit IP67 / TYPE 4(X) plugs to maintain rating.
- A reliable ground connection for both the sensor, and if applicable, for the metal enclosure (above).
- An effective screened cable for the input signal, and grounding of its screen to the “⊥ “ terminal or at the sensor itself, whichever is appropriate to the application.

4.4.2. PROTECTIVE EARTH (PE) CONNECTIONS

Inside the unit, different types of bonding and earthing are used. The common ground is mostly used for termination of the wire shields; the Protective Earth (PE) is used for electrical safety.

For externally powered installations, route the Protective Earth (PE) grounding conductor into the enclosure together with the incoming power conductors.



Risk of damage to equipment!

Be very careful when connecting terminal 00 / GND to Protective Earth (PE).

This terminal is internally connected to the common ground of the system and (especially when multiple power supplies are connected) the PE connection can cause ground loop currents that could damage the equipment.

Metal enclosure

When the F127-P is supplied with a metal enclosure (aluminum or stainless steel), the enclosure must be grounded in accordance with national and local electrical codes.

To ground the field mounted unit, the PE conductor must be connected to the PE stud which is located in the metal back cover, as indicated in the image below. To connect the conductor, a screw (M4 x 6mm) with a serrated washer, a terminal and a washer is used (torque: 2 Nm). The metal front cover is connected to the Protective Earth by the mounting screws with serrated washers.

To ground the panel mounted unit, the PE conductor must be connected to the metal front cover through one of the four mounting screws. For this purpose, an additional nut, terminal and washer is supplied.

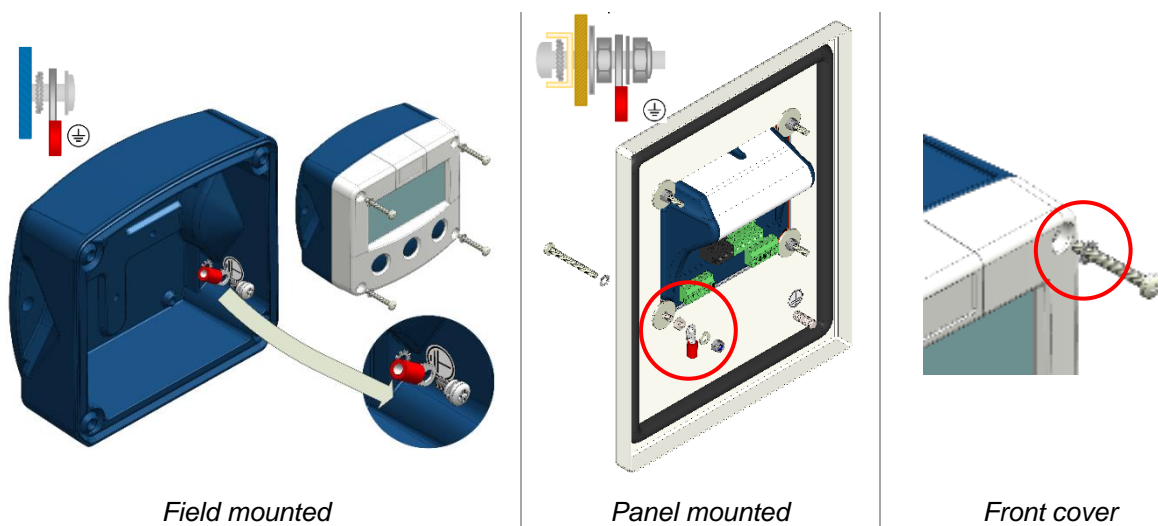


Fig. 7: Protective Earth (PE) connections on metal enclosure

Plastic enclosure

When the F127-P is supplied with a non-metal enclosure (e.g. plastic), the field mount enclosure meets the requirements of class 2 (double insulated). Therefore any incoming PE conductor can be terminated with an insulating end cap.

When the F127-P is panel mounted, the installation class and protective earth requirements depend on the panel or type of cabinet.

4.4.3. ALUMINUM ENCLOSURE - FIELD MOUNTED

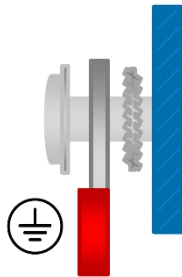


Risk of damage to equipment!

Do not use the terminal 00 to connect the protective earth wire, the 00 and the common ground terminals are internally connected. Be careful, to prevent damage to equipment when you connect different power supplies (sensor, PLC, etc.). Inside the Fluidwell display, the common grounds are internally connected to each other.

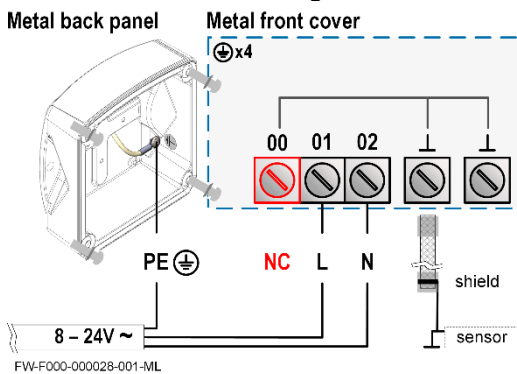
The PE connection

The PE connection is made with the PE stud inside the back panel and the 4 mounting screws that attach the cover to the back panel.

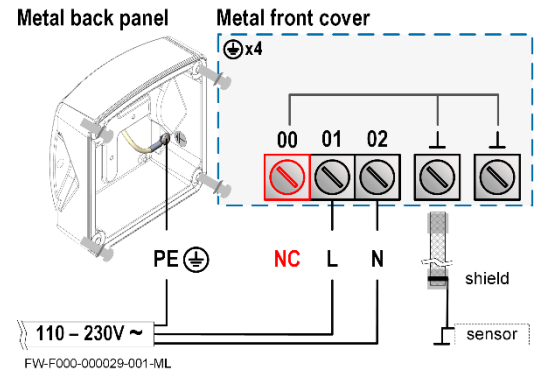


The PE connection in the metal back panel is made with a serrated washer, a terminal, a washer and a screw.

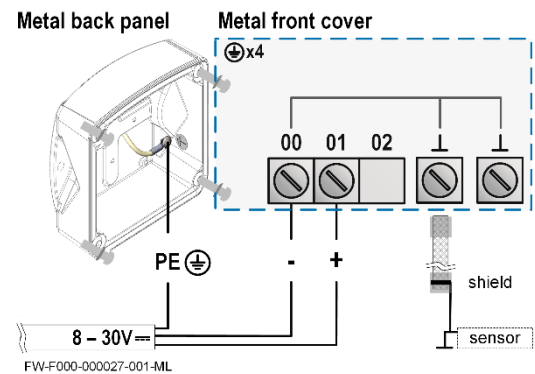
The PE connection to the metal cover is made with the serrated washers and the mounting screws.



Type OR (8-24V AC)



Type PM (110-230V AC)

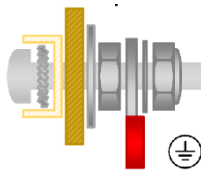


Type OR (8-30V DC)

4.4.4. ALUMINUM ENCLOSURE - PANEL MOUNTED

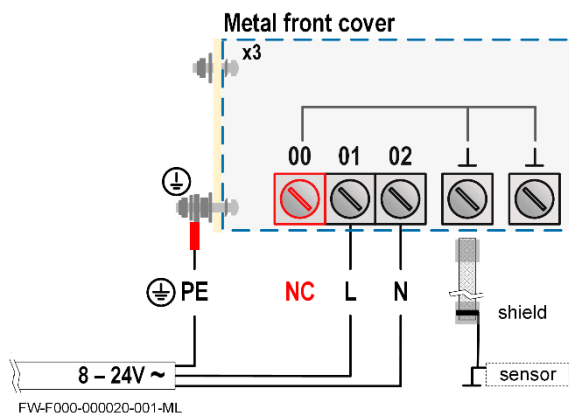
The PE connection

The PE connection is made with one of the mounting screws that attaches the front panel to the panel.

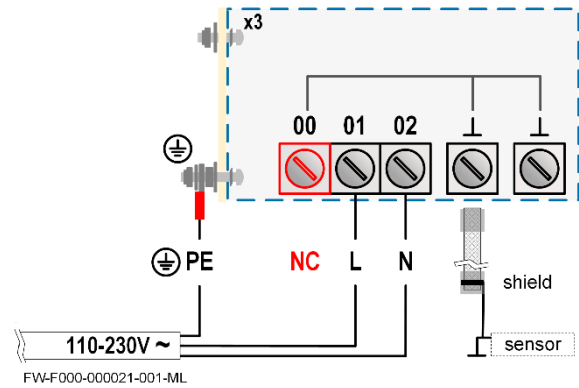


The PE connection to the metal cover is made with the serrated washers and the mounting screws.

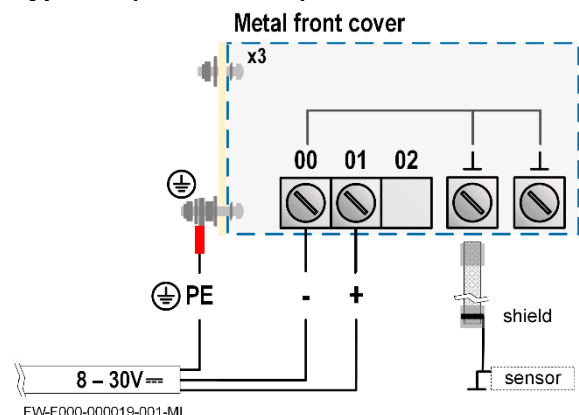
The PE connection to the panel is made with the washer, the nut, the terminal, the washer and a lock nut.



Type OR (8-24V AC)



Type PM (110-230V AC)

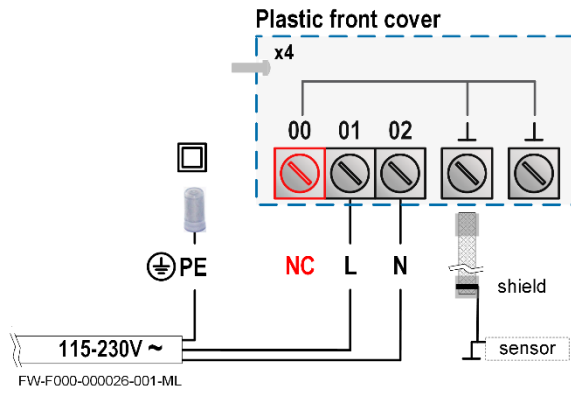


Type OR (8-30V DC)

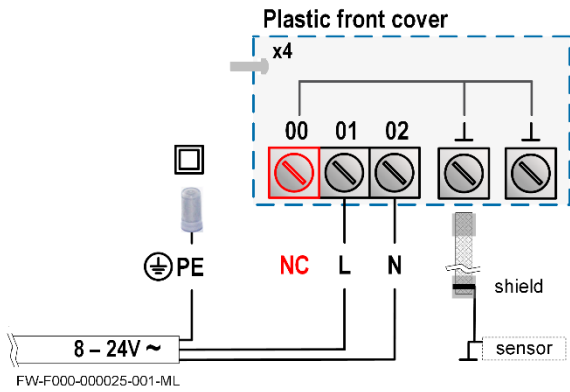
4.4.5. PLASTIC (GRP) ENCLOSURE

The PE connection

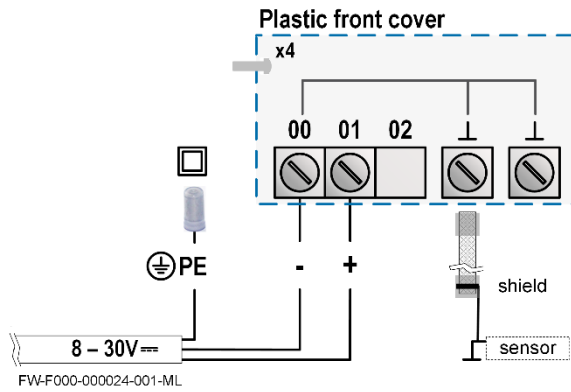
The F127-P in a GRP enclosure meets the requirements of class 2 (double insulated). Therefore the incoming PE wire is terminated with an insulating end cap.



Type PM (110-230V AC)



Type OR (8-24V AC)



Type OR (8-30V DC)

4.4.6. TERMINAL CONNECTORS



For *Intrinsically safe* applications: read chapter 5.
Refer to Appendix A: Technical Specification

	Power supply			Digital Output 2		Digital Output 1		Analog Output		Sensor A Input Supply			Sensor B Input Supply		
	00	01	02	03	04	05	06	07	08	09	10	11	12	13	14
PD; PF ~		L	N									+ ↓			+ ↓
PD; PF ≡	-	+										+ ↓			+ ↓
PM ~		L	N									+ ↓			+ ↓
PX ≡	-	+										+ ↓			+ ↓
P										⊥	⏏	⏏	⊥	⏏	⏏
OA; OT				⊥	⏏	⊥	⏏								
OR				com	NO	com	NO								
AA; AB; AI; AP								I-	I+						
AU								U-	U+						

	PB; PC	Battery supply: 3.6V ≡ (PX remains available, battery supply operates as back-up power)
	PX	Sensor supply A (11) and B (14) by software (Coil; Reed) 1.2; 3V ≡
	PD; PF; PM	Sensor supply A (11) and B (14) by switch 1, 2, 3 and 4 8.2; 12; 24V ≡
		Fieldmount: use the PE terminal and the mounting screws/serrated washers. Panel mount: create a PE terminal by the mounting screws/serrated washers.

	Temperature Sensor A			Temperature Sensor B			Communication (DTR = 12V DC)					
	20	21	22	23	24	25	26	27	28	29	30	31
TP												
TP							⊥	DTR	RxD↑	TxD↓		
							⊥		A	B		
							⊥		A	B	Y	Z

FW-F127-000001-001-EN

Fig. 8: Overview of terminal connectors - Standard configuration and options

4.4.7. SENSOR SUPPLY

For type PB/PC; PX; AP: There is no real sensor supply out available. Only a limited power supply is available. This power supply MAY NOT be used to supply the flowmeters electronics, converters etc. as it will not provide adequate sustained power ! All energy used by the flowmeters pick-up will directly influence the battery life-time. It is strongly advised to use a "zero power" pickup such as a coil or reed-switch when operating without external power. It is possible to use some low power NPN or PNP output signals, but the battery life time will be significantly reduced (consult your distributor). The sensor supply is fixed: 1.2V DC or 3V DC (set by the firmware).

For type PD; PF; PM: It is possible to supply the sensor with different voltages. You can set the voltage with the switches. Internal power is only applicable for low power sensors (Coil, Reed). External power is only available when the main external power supply is connected. The sensor supply voltage is selectable: 1.2; 3; 8.2; 12 or 24V DC.

Set the sensor supply

1. Make the F127-P safe. If applicable, mind the battery power.
2. Open the F127-P and carefully remove the cable-connectors and the protective cover.
3. Find and set the switches and select the V_{out} as required.
4. Close the protective cover and install the cable connectors.
5. Close the F127-P.



Risk of electrocution - High voltage!

Make sure, all the leads to the terminals are disconnected from the F127-P and NEVER connect the mains power supply to the unit when the protection cover has been removed!

Type PD	Power supply in: 8-24V AC / 10-30V DC				
<p>FW-PD-000001-001-EN Switch location (typical)</p>	Sensor A		V_{out} selection		Sensor supply out
	1	2	3	4	NOTE: Use an AC autotransformer (spartrafo) with galvanic isolation.
	int	-	off	off	Coil 1.2V DC; <1mA Reed 3V DC; <1mA
	ext	-	on on off	on off off	8.2V DC @8V _{in} AC / 10V _{in} DC 12V DC @10V _{in} AC / 14V _{in} DC 24V DC @18V _{in} AC / 26V _{in} DC
Type PF	Power supply in: 15-24V AC / 20-30V DC				
<p>FW-PFPM-000001-001-EN Switch location (typical)</p>	Sensor A		V_{out} selection		Sensor supply out
	1	2	3	4	
	int	-	off	off	Coil 1.2V DC; <1mA Reed 3V DC; <1mA
	ext	-	on on off	on off off	8.2V DC @8V _{in} AC / 10V _{in} DC 12V DC @10V _{in} AC / 14V _{in} DC 24V DC @18V _{in} AC / 26V _{in} DC
Type PM	Power supply in: 115V - 230V AC				
<p>FW-PFPM-000001-001-EN Switch location (typical)</p>	Sensor A		V_{out} selection		Sensor supply out
	1	2	3	4	
	int	-	off	off	Coil 1.2V DC; <1mA Reed 3V DC; <1mA
	ext	-	on on off	on off off	8.2V DC 12V DC 24V DC

Fig. 9: Sensor supply voltage - Switch setting

Terminal 05-06 (R1) / 03-04 (R2); scaled pulse output

SETUP 8 (read chapter 3) determines the pulse output function. The maximum pulse frequency of this output is 60Hz. If a relay output option has been supplied, be sure that the output frequency does not exceed 5Hz or else the life-time of the relay will be reduced significantly.

Type OA

An active 24V DC pulse signal output is available with this option. Max. driving capacity 50mA@24V per output. (Requires power supply type PD/PF/PM).

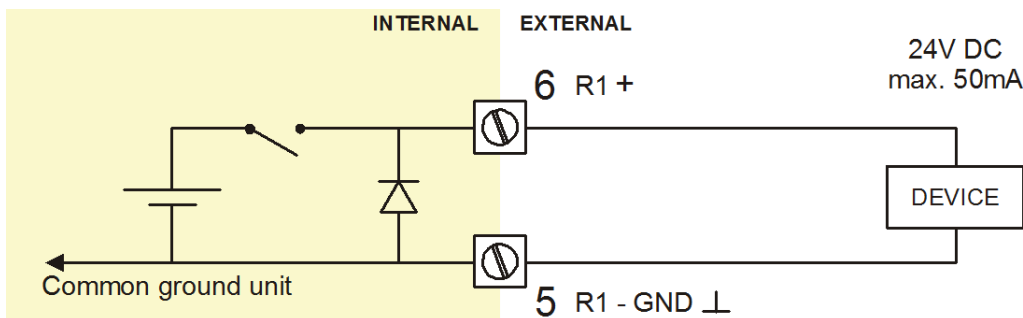


Fig. 10: Terminal connections - Active output (typical)

Type OR

A mechanical relay output is available with this option. Max. switch power 240V 0,5A per output. (Requires power supply type PD/PF/PM). Be sure that the output frequency does not exceed 5Hz, else the relay life time will be reduced significantly.

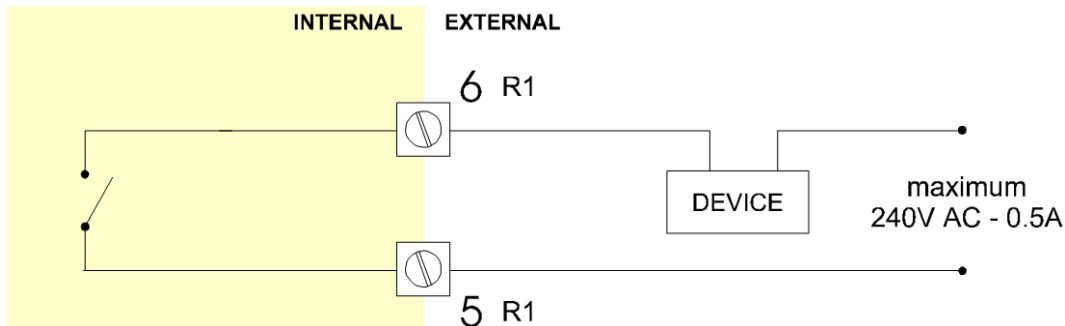


Fig. 11: Terminal connections - Mechanical relay output (typical)

Type OT

A passive transistor output is available with this option. Max. driving capacity 300mA@50V DC.

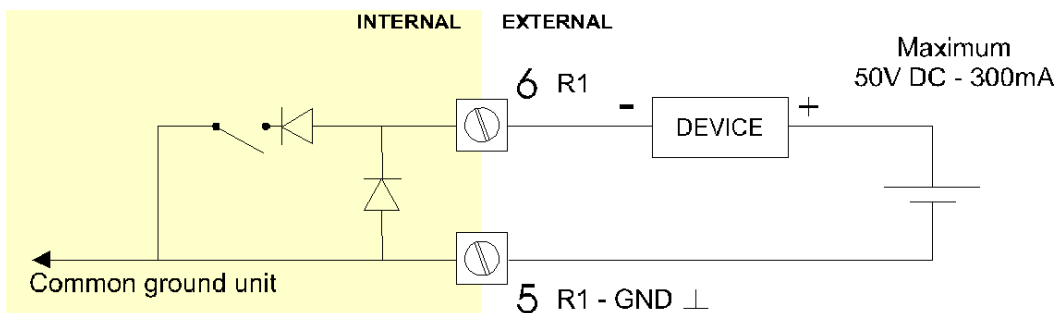


Fig. 12: Terminal connections - Pulse output (typical)

Terminal 07-08; basic POWER SUPPLY - type AP - output loop powered

Connect an external power supply of 8-30VDC to these terminals or a (0)4-20mA loop. Do not connect the "-" to terminal 7 and the "+" to terminal 8. When power is applied to these terminals, the (optional) internal battery will be disabled / enabled automatically to extend the battery life time.

Terminal 07-08 analog output (SETUP A) :

An analog output signal proportional to the differential flow rate is available as standard.

Type AA

An active 4-20mA signal proportional to the flow rate is available with this option.

When the output is disabled, a 3.5mA signal will be generated on these terminals.

Max. driving capacity 1000 Ohm @ 24VDC. (Requires power supply type PD/PF/PM).

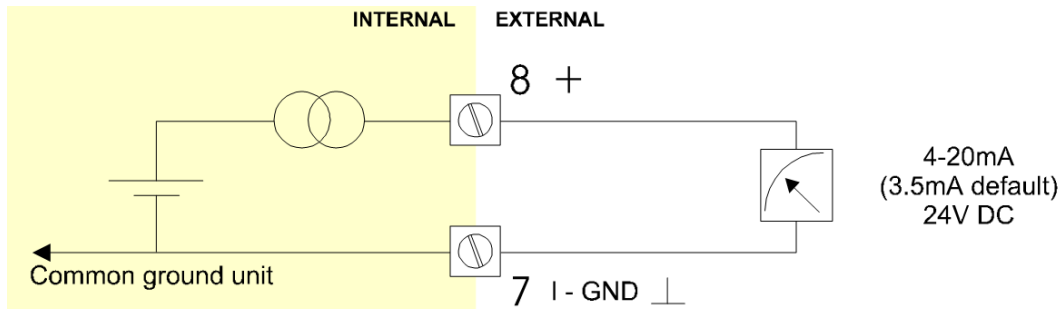


Fig. 13: Terminal connections - 4-20mA analog output (typical)

Type AB

An active 0-20mA signal proportional to the flow rate is available with this option.

Max. driving capacity 1000 Ohm @ 24VDC. (Requires power supply type PD/PF/PM).

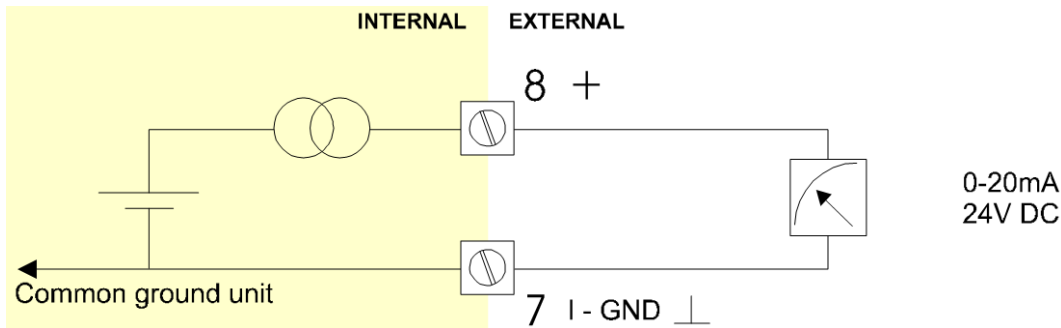


Fig. 14: Terminal connections - Active 0-20mA analog output (typical)

Type AF

For the Intrinsically safe floating 4-20mA signal: please read Chapter 5.

Type AI

An isolated 4-20mA signal proportional to the flow rate is available with this option. When the output is disabled, a 3.5mA signal will be generated on these terminals.

Max. driving capacity 1000 Ohm @ 30VDC.

This option can be used with a battery powered unit but the battery life time is about 2 -3 years.

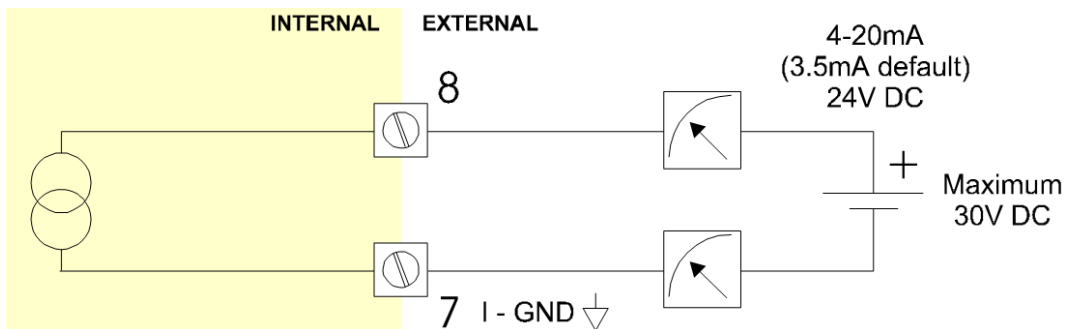


Fig. 15: Terminal connections - Isolated 4-20mA analog output (typical)

Type AP

A passive 4-20mA signal proportional to the flow rate is available with this option. When a power supply is connected but the output is disabled, a 3.5mA signal will be generated. Max. driving capacity 1000 Ohm. This output does loop power the unit as well.

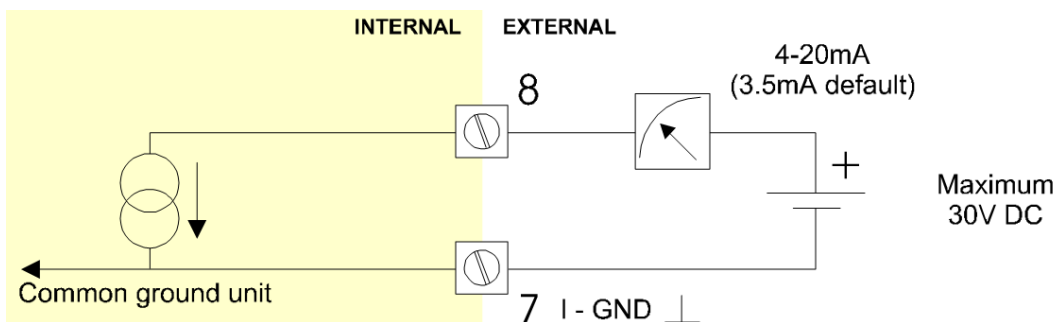


Fig. 16: Terminal connections - Passive 4-20mA analog output (typical)

Type AU

A 0-10VDC signal proportional to the flow rate is available with this option. Max. load 10mA @ 10VDC. (Requires power supply type PD/PF/PM).

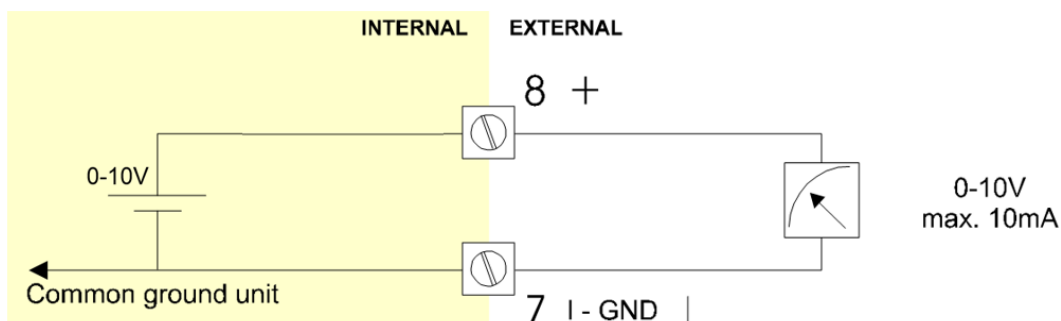


Fig. 17: Terminal connections - Active 0-10V analog output (typical)

Terminal 09-11; Terminal 12-14; Flowmeter input A and B:

Three basic types of flowmeter signals can be connected to the unit: pulse, active pulse or coil. The connections for flowmeter A (Terminal 09-11) and B (Terminal 12-14) are the same. The screen of the signal wire must be connected to the related common ground terminal (unless earthed at the sensor itself) The maximum input frequency is approximately 10 kHz (depending on the type of signal). The input signal type has to be selected in the flowmeter setup (read chapter 3).

Sine-wave signal (Coil):

The F127-P is suitable for use with flowmeters which have a coil output signal.

Two sensitivity levels can be selected:

- COIL-LO: sensitivity from about 80mV_{pp};
- COIL-HI: sensitivity from about 20mV_{pp};
- type ZF, COIL-HI: sensitivity from about 10mV_{pp};
- type ZG, COIL-HI: sensitivity from about 5mV_{pp}.

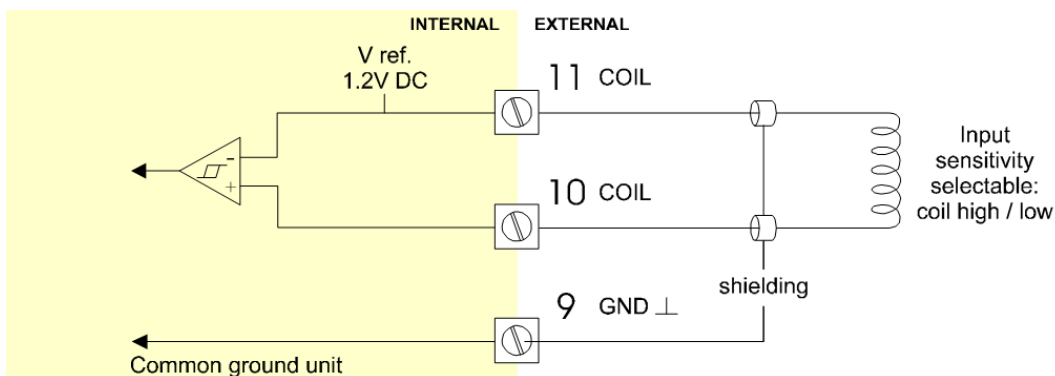


Fig. 18: Terminal connections - Coil signal input (typical)

Pulse-signal NPN / NPN-LP:

The F127-P is suitable for use with flowmeters which have a NPN output signal. For reliable pulse detection, the pulse amplitude has to go below 1.2V. Signal setting NPN-LP employs a low-pass signal noise filter, which limits the maximum input frequency (read chapter 3).

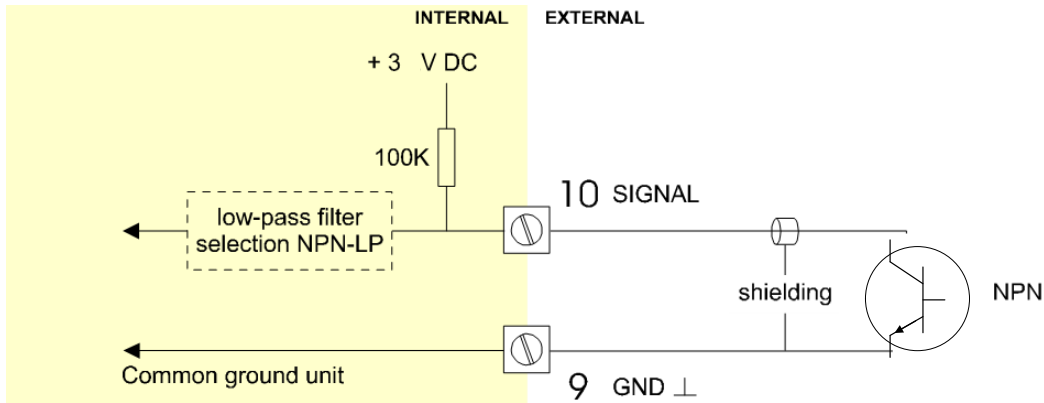


Fig. 19: Terminal connections - NPN signal input (typical)

Pulse-signal PNP / PNP-LP:

The F127-P is suitable for use with flowmeters which have a PNP output signal. 3V is offered on terminal 11 which has to be switched by the sensor to terminal 10 (SIGNAL). For a reliable pulse detection, the pulse amplitude has to go above 1.2V. Signal setting PNP-LP employs a low-pass signal noise filter, which limits the maximum input frequency (read chapter 3).

A sensor supply voltage of 8.2, 12 or 24V DC can be provided with power supply type PD, PF, PM. For a signal detection level of 50% of the supply voltage: please refer to "active signals".

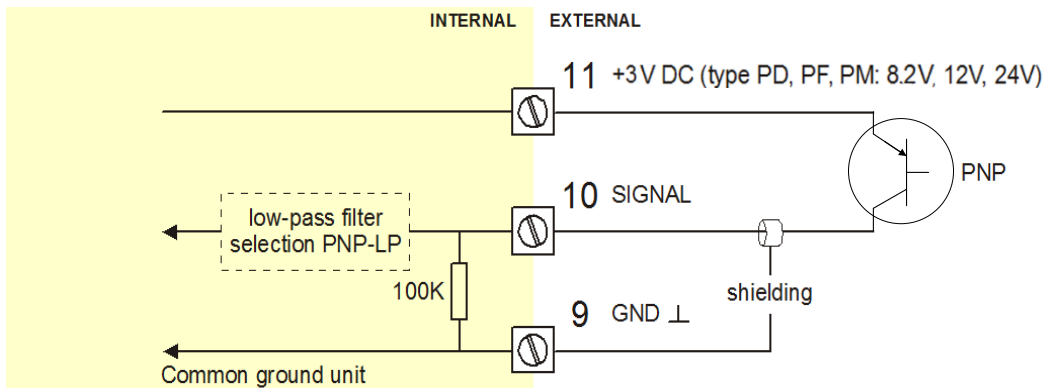


Fig. 20: Terminal connections - PNP signal input (typical)

Active signal 8.2V, 12V and 24V:

If a sensor gives an active signal (read chapter 3). The detection levels are 50% of the selected supply voltage; approx. 4V (8-1 DC) or 6V (12 DC) or 12V (24 DC). Active signal selection may well be desired in case of power supply type PD, PF, PM is available for sensor supply.

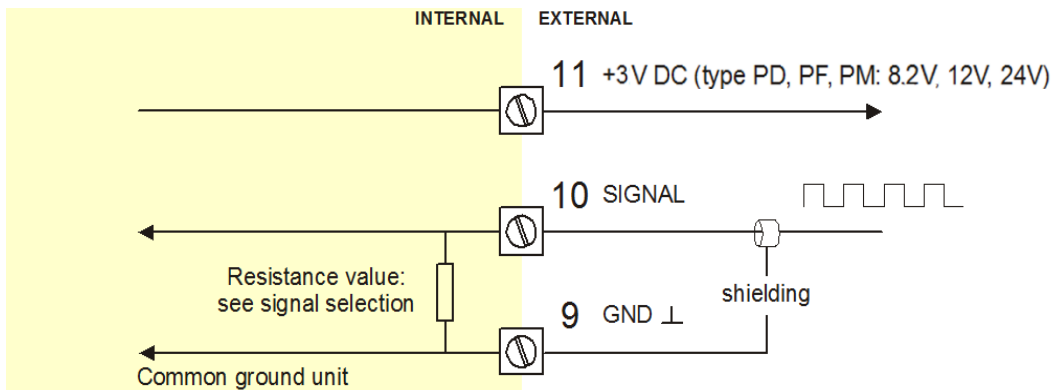


Fig. 21: Terminal connections - Active signal input (typical)

Reed-switch:

The F127-P is suitable for use with flowmeters which have a reed-switch. To avoid pulse bounce from the reed-switch, it is advised to select REED LP - low-pass filter (read chapter 3).

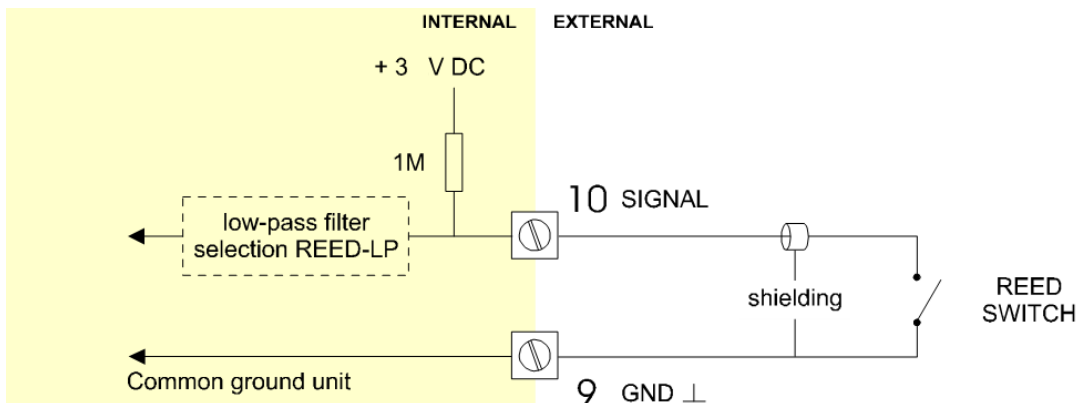


Fig. 22: Terminal connections - Reed-switch signal input (typical)

NAMUR-signal:

The F127-P is suitable for flowmeters with an NAMUR signal. The standard F127-P is not able to power the NAMUR sensor, as an external power supply for the sensor is required. However, a 8.2V sensor supply voltage (terminal 11) can be provided with type PD, PF, PM.

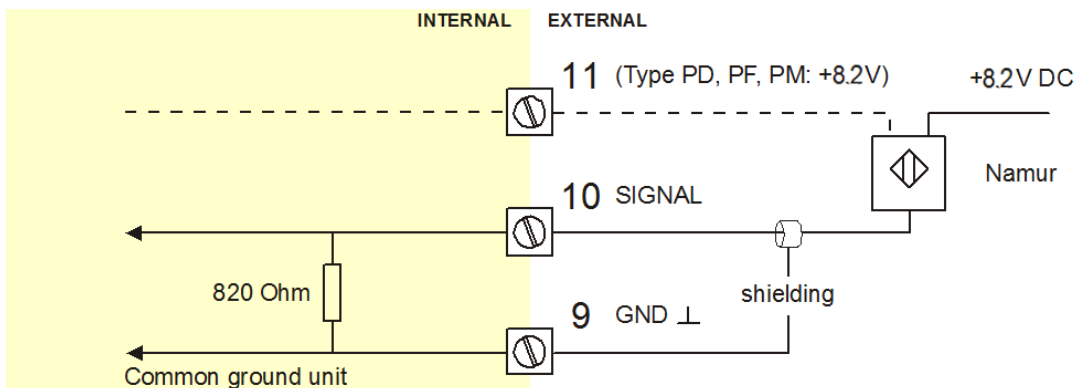


Fig. 23: Terminal connections - NAMUR signal input (typical)

Terminal 20-22 and 23-25; Temperature inputs TP - PT100

Two types of PT100 elements can be connected: 2 or 3-wire. The temp coefficient for the RTD is 0.00385 ohms/ohms/°C. The R_0 is 100 ohms at 0.0°C.

The temperature of the inlet flow will be measured with sensor A - terminal 20-22.

The temperature of the outlet flow will be measured with sensor B - terminal 23-25.

Terminal 26-31: type CB / CH / CI / CT - communication RS232 / RS485 / TTL (option)

For connections, refer to figure: Overview of terminal connectors - Standard configuration and options

Full serial communications and computer control in accordance with RS232 (length of cable max. 15 meters) or RS485 (length of cable max. 1200 meters) is possible.

When using the RS232 communication option, terminal 27 is used for supplying the interface.

Please connect the DTR (or the RTS) signal of the interface to this terminal and set it active (+12V).

If no active signal is available it is possible to connect a separate supply between terminals 26 and 27 with a voltage between 8V and 24V.

Terminal 00 - 01: type ZB backlight (option):

If the unit is supplied with a power supply:

- type PD, PF or PM, the backlight supply is integrated.
- type PX, use the terminals 00 and 01 to supply the backlight.

The backlight intensity is set in the setup menu: Display.

5 INTRINSICALLY SAFE APPLICATIONS

5.1 GENERAL INFORMATION AND INSTRUCTIONS



Caution !

Cautions

- Mounting, electrical installation, start-up and maintenance of this device may only be carried out by trained persons authorized by the operator of the facility. Persons must read and understand this manual before carrying out its instructions.
- This device may only be operated by persons who are authorized and trained by the operator of the facility. All instructions in this manual are to be observed.
- Make sure the measuring system is correctly wired up according to the wiring diagrams. Protection against accidental contact is no longer assured when the enclosure cover is removed or the panel cabinet has been opened (danger from electrical shock). The enclosure may only be opened by trained persons authorized by the operator of the facility.
- To maintain the degree of protection of at least IP65 in accordance with IEC 60529, suitable cable entries and blanking elements must be used and correctly installed.
- Take careful notice of the "Safety rules, instructions and precautionary measures" in the front of this manual.
- Chapter 4 shows general information regarding the electrical installation of your indicator. This chapter gives additional specific information regarding Intrinsically safe installation and overrules the information given in chapter 4.



- **Specific conditions of use:**
- Specific conditions of use mentioned in both the certificate and the installation instructions must be observed for the connection of power to both input and / or output circuits.
- **When the enclosure of the indicator is made of aluminum alloy, when used in a potentially explosive atmosphere requiring apparatus of equipment protection level Ga and Da, the unit must be installed such that, even in the event of rare incidents, an ignition source due to impact or friction sparks between the enclosure and iron/steel is excluded.**
- **For EPL Da the ambient temperature Ta shall not exceed 50 °C.**



- **Safety instructions**
- When two or more active Intrinsically safe circuits are connected to the indicator, in order to prevent voltage and/or current addition, applicable to the external circuits, precautions must be taken to separate the Intrinsically safe circuits in accordance with EN 60079-11.
- For the combined connection of the different supply, input and output circuits, the instructions in this manual must be observed.
- From the safety point of view the circuits shall be considered to be connected to earth.
- For installation under ATEX directive: this Intrinsically safe device must be installed in accordance with the latest ATEX directive and product certificate KEMA 03ATEX1074 X.
- For installation under IECEx scheme: this Intrinsically safe device must be installed in accordance the product certificate IECEx DEK 11.0042X.
- Exchange of Intrinsically safe battery FWLiBAT-0xx with certificate number KEMA 03ATEX1071 U or IECEx KEM 08.0005U is allowed in Hazardous Area. Read chapter 5.4 for battery replacement instructions.
- For reasons of ESD and safety, always ground the metal enclosure properly as indicated in section "4.4. Installing the hardware" of this manual.
- Do not blend metal front covers with non-metallic rear covers, vice versa and / or cable glands. A metal cover on a non-metallic rear cover could lead to ESD. A metal gable gland in a non-metallic enclosure could invalidate isolation.
- For enclosures and windows with a high surface resistance, potential charging hazard exists. Do not rub these surfaces of the indicator. Clean window and enclosure only with a lint-free cleaning cloth made damp with a mild soap solution.



Note !

- **Please note**
- Certificates, safety values, control drawing and declaration of conformity can be found in the document named: "Fluidwell F1...-XI - Documentation for Intrinsic safety".
- When installing this device in hazardous areas, the wiring and installation must comply with the appropriate installation standards for your industry.
- Study the following pages with wiring diagrams per classification.

Serial number and year of production

This information can be looked-up in the setup menu: Others.

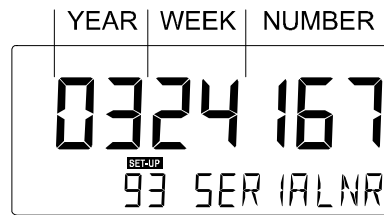


Fig. 24: Example serial number (typical)

Label information pulse input type – F1xx-...-XI (inside and outside the enclosure)

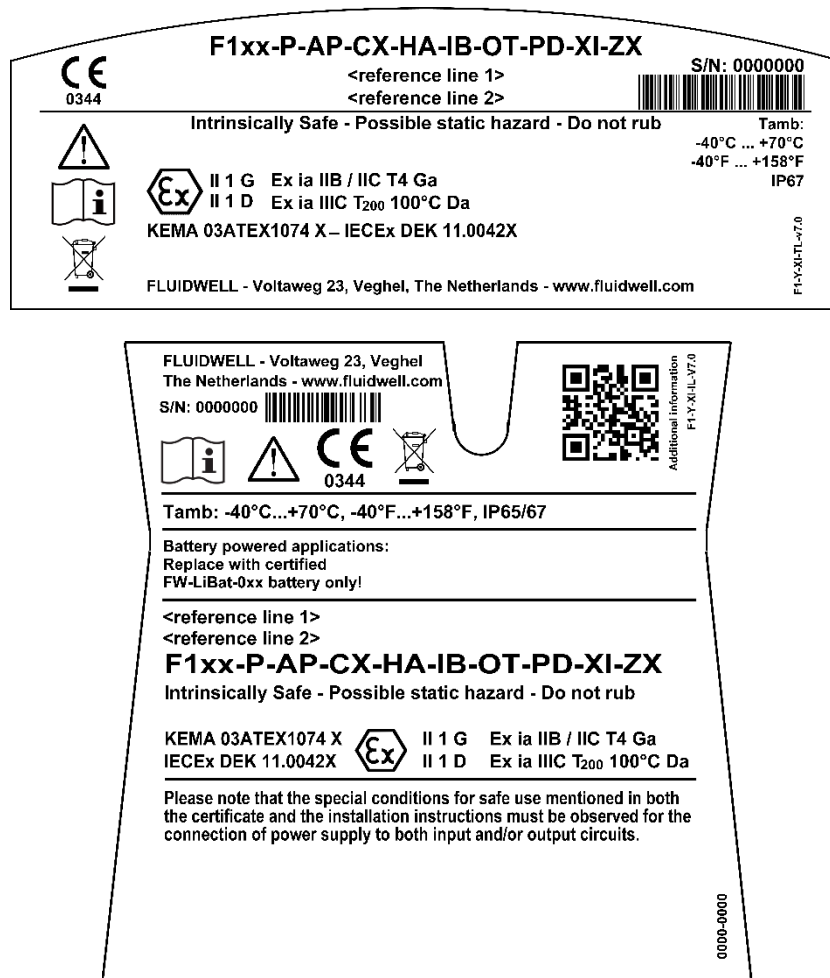


Fig. 25: Label information - Intrinsically safe application (typical)

5.2 TERMINAL CONNECTORS INTRINSICALLY SAFE APPLICATIONS



The unit is classified as group IIB/IIIC by default

Note !

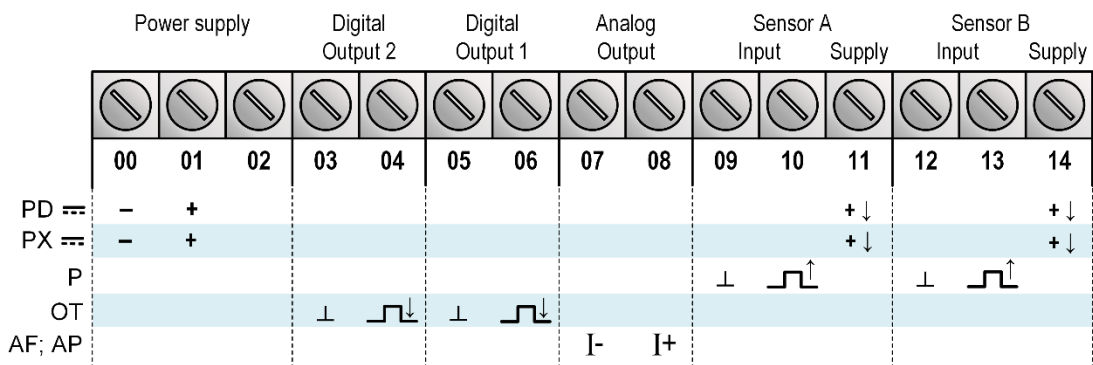
Classification of the unit as group IIC is only possible under the following conditions:

The indicator is either supplied by

- the internal supply (type PC);
- the external supply connected to terminals 0 and 1 (type PD);
- the circuit supply connected to terminals 7 and 8 (type AP);
- The maximum values for any of those circuits are those as defined for group IIB/IIIC;
- No other active external Intrinsically safe circuits may be connected to the indicator, with exception of circuits connected to terminals 3 and 4 and/or terminals 5 and 6; the maximum values for any of those circuits are those as defined for group IIB/IIIC.

Terminal connectors F127-P-EL-TP-XI:

For intrinsically safe applications, consult the safety values in the certificate.

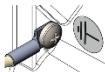


PC Battery supply: 3.6V \equiv
(PX remains available, battery supply operates as back-up power)

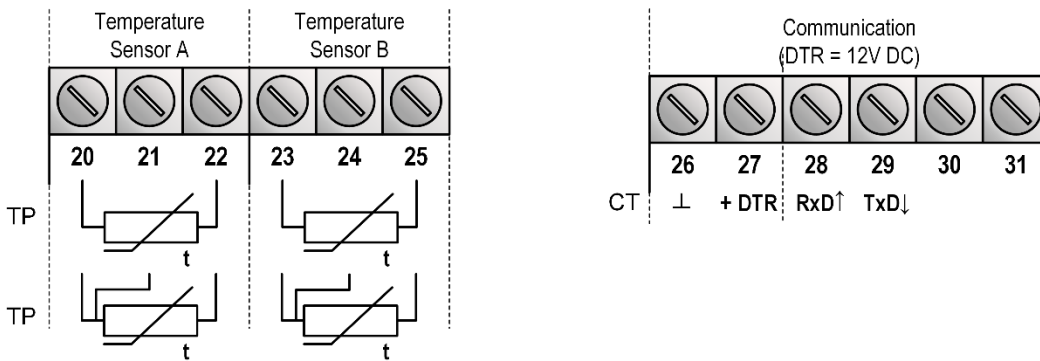


PX Sensor supply A (11) and B (14) by software (Coil; Reed) | 1.2; 3V

PD Sensor supply A (11) and B (14) by switch 1, 2, 3 and 4 | 8.2 \equiv



⊕ Fieldmount: use the PE terminal and the mounting screws/serrated washers.
Panel mount: create a PE terminal by the mounting screws/serrated washers.



FW-F127-000002-001-EN

Fig. 26: Overview terminal connectors - Intrinsically safe (typical)

Type AF - Intrinsically safe floating 4-20mA analog output - Terminal 7-8

A floating 4-20mA signal proportional to the flow rate is available with this option. When the output is disabled, a 3.5mA signal will be generated. Max. driving capacity 1000 Ohm @ 30V DC.



It is required to link the minus from the analog output - terminal 7 - with a ground terminal of the unit; terminal: 00, 03, 05, 09, 12 or 15.

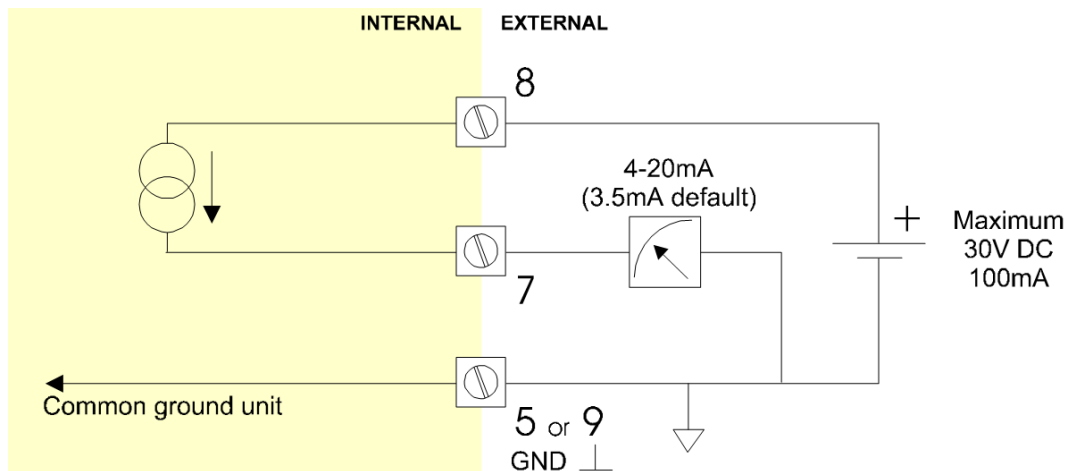


Fig. 27: Terminal connections - Intrinsically safe floating 4-20mA analog output (typical)

For type PD-XI: It is possible to supply the sensor with different voltages. You can set the voltage with the switches. Internal power is only applicable for low power sensors (Coil, Reed). The sensor supply is set by the firmware: 1.2V DC or 3V DC. External power is only available when the main external power supply is connected. The sensor supply voltage is fixed: 8.2V DC.

Set the sensor supply

1. Make the F127-P safe. If applicable, mind the battery power.
2. Open the F127-P and carefully remove the cable-connectors and the protective cover.
3. Find and set the switches and select the V_{out} as required.
4. Close the protective cover and install the cable connectors.
5. Close the F127-P.



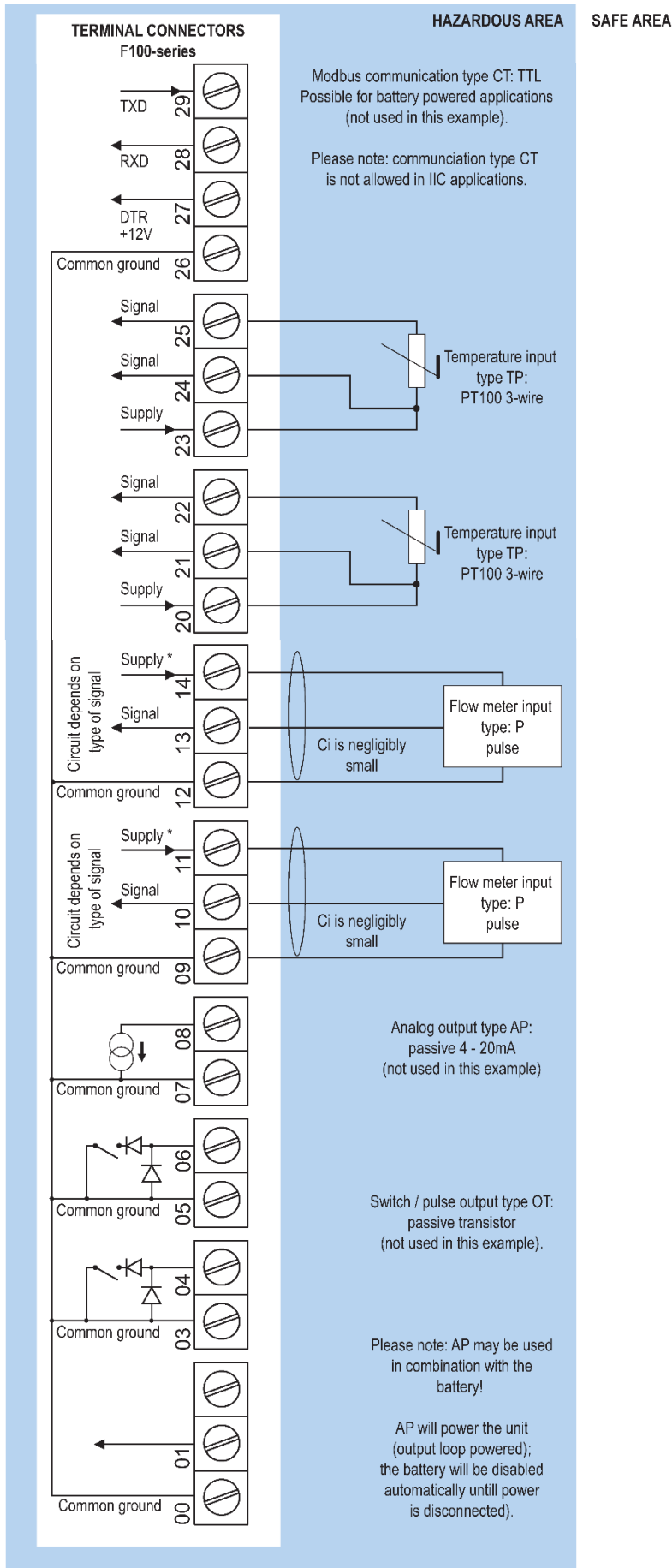
Risk of electrocution - High voltage!

Make sure, all the leads to the terminals are disconnected from the F127-P and NEVER connect the mains power supply to the unit when the protection cover has been removed!

Type PD-XI	Power supply in: 16-30V DC / max. 1W			
<p>FW-PD-000002-001-EN Switch location (typical)</p>	Sensor		Sensor supply out	
	A			
	1	2		
	off	-		
on	-			8.2V DC; 7mA (max)

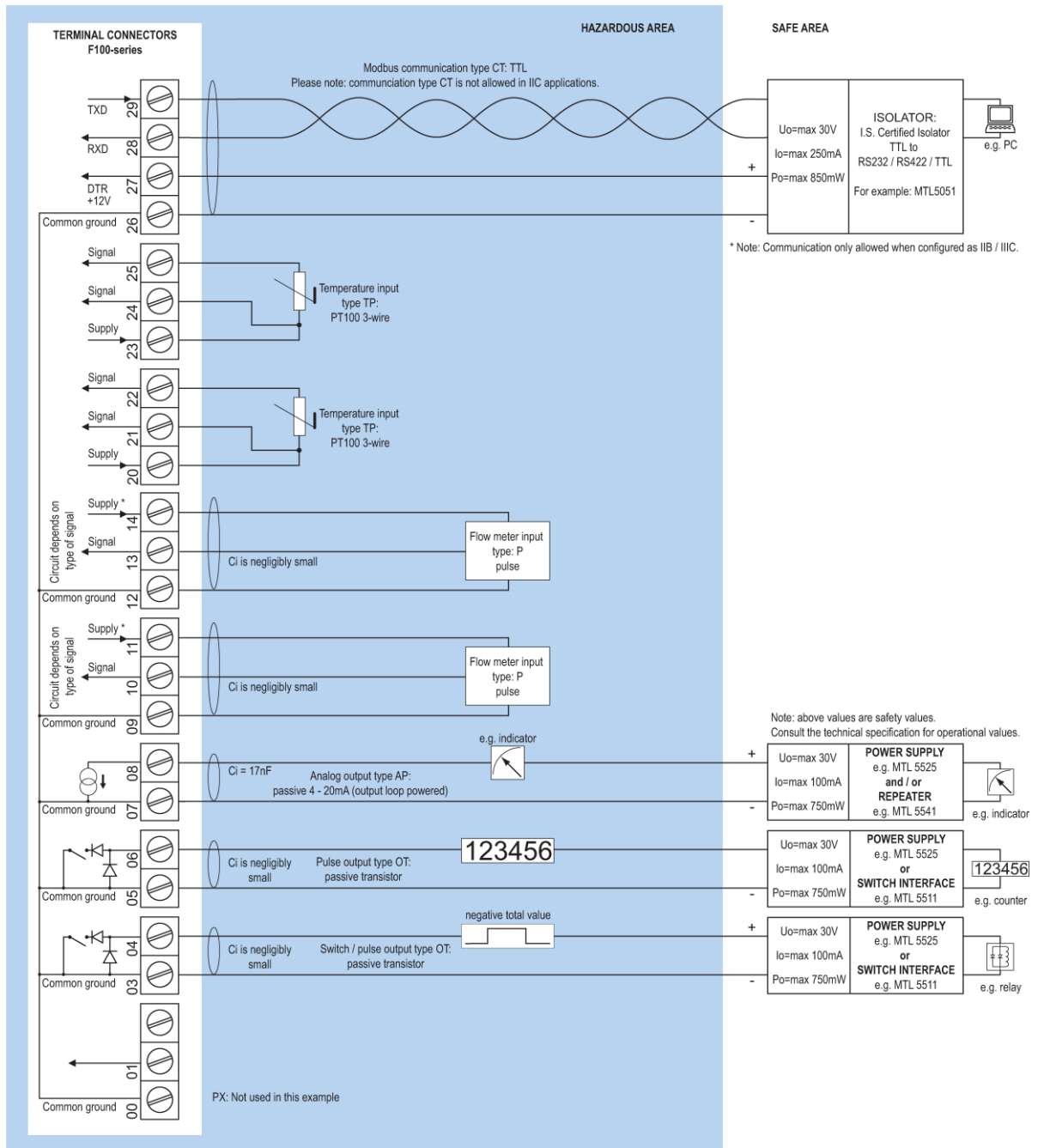
Fig. 28: Switch position voltage selection type PD-XI

5.3 CONFIGURATION EXAMPLES INTRINSICALLY SAFE APPLICATIONS



* Note sensor supply voltage: 1.2V DC for coil sensors or 3.2V DC for other pulse sensors.

Fig. 29: F127-P-(AP)-(CT)-EL-TP-(OT)-PC-XI - Battery powered - IIB/IIC - IIC



* Note sensor supply voltage: 1.2V DC for coil sensors or 3.2V DC for other pulse sensors.

Fig. 30: F127-P-AP-CT-EL-OT-(PX)-TP-XI - Output loop powered - IIB/IIC - IIC

6 MAINTENANCE

6.1 GENERAL DIRECTIONS



Caution !

- Mounting, electrical installation, start-up and maintenance of this device may only be carried out by trained persons authorized by the operator of the facility. Persons must read and understand this manual before carrying out its instructions.
- This device may only be operated by persons who are authorized and trained by the operator of the facility. All instructions in this manual are to be observed.
- Make sure, the measuring system is correctly wired up according to the wiring diagrams. Protection against accidental contact is no longer assured when the enclosure cover is removed or the panel cabinet has been opened (danger from electrical shock). The enclosure may only be opened by trained persons authorized by the operator of the facility.
- Take careful notice of the "Safety rules, instructions and precautionary measures" in the front of this manual.

The F127-P does not require special maintenance unless it is used in low-temperature applications or surroundings with high humidity (above 90% annual mean). It is the users responsibility to take all precautions to dehumidify the internal atmosphere of the F127-P in such a way that no condensation will occur, e.g. to put a dose of desiccant (drying agent) inside the enclosure just before closing it. Furthermore, it is required to replace the desiccant periodically as advised by its supplier.

Battery life-time:



Note !

It is strongly advised to disable the unused functions

It is influenced by several issues :

- Type of sensor (read chapter 3): NPN and PNP inputs consume more energy than coil inputs;
- Input frequency: the higher the frequency, the shorter the battery life-time;
- Analog output signal; be sure that an external power supply is connected or that the function is disabled if not in use; or else it will have a major influence on the battery life-time;
- Display update: fast display update uses significantly more power;
- Pulse output and communications;
- Low temperatures; the available power will be less due to battery chemistry.

Check periodically:

- The condition of the enclosure, cable glands and front panel.
- The input/output wiring for reliability and aging symptoms.
- The process accuracy. As a result of wear and tear, re-calibration of the flowmeter might be necessary. Do not forget to re-enter any subsequent K-Factor alterations.
- The indication for low-battery.
- Clean window and enclosure only with a lint-free cleaning cloth made damp with a mild soap solution.. Do not use any aggressive solvents as these might damage the coating.

6.2 INSTRUCTIONS FOR REPAIR

This product cannot be repaired by the user and must be replaced with an equivalent certified product. Repairs are only allowed to be carried out by the manufacturer or his authorized agent.

6.3 REPAIR POLICY

If you have any problem with your Fluidwell product and you wish to repair it, please follow the procedure below:

- a. Obtain a Return Material Authorization (RMA) from your supplier or distributor Together with the RMA, you need to complete a repair form to submit detailed information about the problem.
- b. Send the product, within 30 days, to the address provided with the RMA. The physical return of your repair can only take place after the authorization of your repair application, as confirmed by the RMA number.

If the product is within the warranty period, it will be repaired or exchanged and returned within three weeks. If the product is no longer under warranty, you will receive a repair estimate.

6.4 BATTERY REPLACEMENT

6.4.1 SAFETY INSTRUCTIONS



- Handle the battery with care. A mistreated battery can become unsafe. Unsafe batteries can cause (serious) injury to persons.
- Only use batteries which are certified for use in hazardous areas. The use of standard batteries in hazardous area's is not safe and prohibited. Batteries that are regarded as unsafe can cause (serious) injury to persons and damage to the property.
- Mounting, electrical installation, start-up and maintenance of this device may only be carried out by trained persons authorized by the operator of the facility. Persons must read and understand this manual before carrying out its instructions.



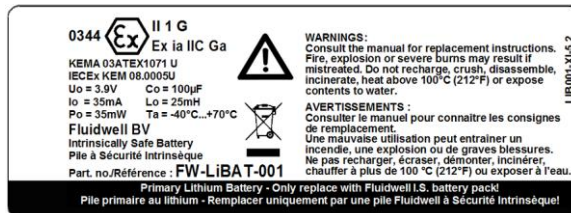
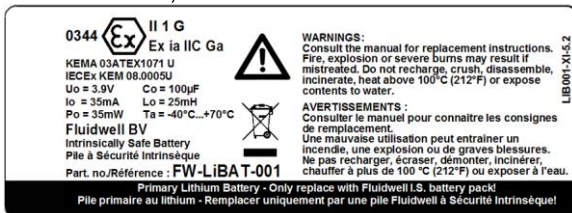
Caution !

- Only use batteries which are certified for use in hazardous areas. The use of standard batteries in hazardous area's is not safe and prohibited. Batteries that are regarded as unsafe can cause (serious) injury to persons and damage to the property.
- For use in hazardous areas we advise to apply FW-LiBAT batteries only.

6.4.2 REPLACE THE BATTERY (HAZARDOUS AREA)

The batteries are used to store electrical energy. The battery is a high power battery which must be treated carefully. When the battery is mistreated or damaged, there is a risk of a fire, an explosion and serious burns.

1. Mind that you cannot switch off a battery.
2. Make sure, it is safe to work on the battery system.
3. Handle the battery with the utmost care to prevent a short circuit and damage.
4. Do not recharge, crush, disassemble, incinerate, heat above its rated temperature or expose the contents to water.
5. Dispose of the battery in accordance with the (inter)national, the manufacturer's and the plant owner's standards and regulations.
6. Read and understand the instructions.
7. Get approval from the safety officer to do the work.
8. Lock-out/Tag-out the unit and related system.
9. Make sure, it is safe to do the work.



Remove the battery

1. If necessary, clean the enclosure with an anti-static cloth made damp with a mild soap solution.
2. Let the enclosure dry onto the air.
3. Carefully, open the enclosure.
4. Keep the removed parts in a clean location.
5. Get access to the battery.
6. Find the battery connector and disconnect the battery from the unit.
7. Remove and keep the battery from the unit.
8. Install an insulation tape over the battery connector to prevent a short circuit.

Install the battery


1. Make sure, the new battery is certified for use in the unit.
2. Work as clean as possible, to prevent contamination to enter the unit.
3. Carefully, install the battery.
4. Make sure, the battery is correctly locked into the battery holder.
5. Install the battery connector.
6. Carefully assemble the unit and close the enclosure.
7. With the enclosure carefully closed, do a test of the unit.
8. If necessary, get access to the setup menu and make any adjustments to obtain the correct settings.

6.4.3 DISPOSAL OF BATTERIES



- Batteries pose an environmental hazard.
- Do not dispose of as general waste or incinerate.
- Return used batteries to a recycling point.

Appendix A. TECHNICAL SPECIFICATION

Display	
Type	High intensity reflective numeric and alphanumeric LCD, UV-resistant.
Dimensions	90 x 40mm (3.5"x 1.6")
Digits	Seven 17mm (0.67") and eleven 8mm (0.31"). Various symbols and measuring units.
Refresh rate	User definable: 8 times/sec - 30 secs.
Type ZB	LCD with LED backlight. Good readings in full sunlight and darkness. Power requirements: 12-24V DC + 10% or type PD, PF, PM. Power consumption max. 1 Watt.
 Note !	Only available for safe area applications.

Enclosures	
General	Die-cast aluminum or GRP (Glass fiber Reinforced Polyamide) enclosure with Polycarbonate window, silicone gaskets. UV stabilized and flame retardant material.
Control Keys	Three industrial micro-switch keys. UV-resistant silicone keypad.
Painting	Aluminum enclosure only: UV-resistant 2-component industrial painting.
Panel-mount enclosures	Dimensions: 130 x 120 x 60mm (5.10" x 4.72" x 2.38") – WxHxD.
Classification	IP65 / TYPE 4(X)
Panel cut-out	115 x 98mm (4.53" x 3.86") LxH.
Type HC	GRP panel-mount enclosure
Type HB	Aluminum panel-mount enclosure
Type HSB	Stainless steel panel-mount enclosure
Field/wall-mount enclosures	Dimensions: 130 x 120 x 75mm (5.10" x 4.72" x 2.95"/3.54") – WxHxD.
Classification	IP67 / TYPE 4(X)
Aluminum and stainless	where "H" turns to "HS" for stainless enclosures, e.g. HA → HSA
Type HA	Drilling: 2x PG9 – 1x M20.
Type HL	Drilling: 2x ½"NPT.
Type HM	Drilling: 2x M16 – 1x M20.
Type HN	Drilling: 1x M20.
Type HO	Drilling: 2x M20.
Type HP	Drilling: 6x M12.
Type HT	Drilling: 1x ½"NPT.
Type HU	Drilling: 3x ½"NPT.
Type HV	Drilling: 4x M20
Type HZ	No drilling.
GRP enclosures	
Type HD	No drilling.
Type HE	Drilling: 2x 16mm (0.63") – 1x 20mm (0.78").
Type HF	Drilling: 1x 22mm (0.87").
Type HG	Drilling: 2x 20mm (0.78").
Type HJ	Drilling: 3x 22mm (0.87").
Type HH	Drilling: 6x 12mm (0.47").
Type HK	Flat bottom - no drilling.



Operating temperature	
Operational	-40°C to +80°C (-40°F to +178°F).
Intrinsically safe	-40°C to +70°C (-40°F to +158°F); (limited to +50°C (122°F) for EPL Da)
Relative humidity	90%, no condensation allowed.

Power requirements	
Type AP	8-30V DC; Power consumption max. 0.5 Watt.
Type PB	Lithium battery - life-time depends upon settings - up to 5 years.
Type PC	Intrinsically safe lithium battery - life-time depends upon settings - up to 5 years.
Type PD	8-24V AC / 8-30V DC; Power consumption max. 5 Watt.
Type PD-ZB	10-24V AC / 12-30V DC; Power consumption max. 5 Watt.
Type PD-XI	16-30V DC; Power consumption max. 1 Watt.
Type PF	15-24V AC / 20-30V DC; Power consumption max. 15 Watt.
Type PM	115-230V AC; Power consumption max. 15 Watt.
Type PX	8-30V DC; Power consumption max. 0.75 Watt.
Type PX-ZB	12-30V DC; Power consumption max. 1.5 Watt.
Type PX-XI	8-30V DC; Power consumption max. 0.75 Watt.
Note I.S. applications	For Intrinsically safe applications, consult the safety values in the certificate.

Sensor excitation	
Type PB / PC / PX	3V DC for low power pulse signals and 1.2V DC for coil pick-up.
Type PD	1.2; 3; 8.2; 12; 24V DC - max. 50mA@24V DC
Type PD-XI	Intrinsically safe: Pulse signals: 1.2; 3; 8.2 - max. 7mA@8.2V DC.
Type PF / PM	1.2; 3; 8.2; 12; 24V DC - max. 400mA@24V DC.

Terminal connections	
Type	Removable plug-in terminal strip. Wire max. 1.5mm ² and 2.5mm ²



Data protection	
Type	EEPROM backup of all settings. Backup of running totals every minute. Data retention at least 10 years.
Password	Configuration settings can be Password protected.

Hazardous area		
Intrinsically safe Type XI	ATEX approval :  II 1 G Ex ia IIB/IIC T4 Ga II 1 D Ex ia IIIC T ₂₀₀ 100°C Da	IECEx approval : Ex ia IIB/IIC T4 Ga Ex ia IIIC T ₂₀₀ 100°C Da
Explosion proof Type XF	ATEX approval:  II 2 G Ex d IIB T5 Gb II 2 D Ex t IIIB T100 °C Db Weight appr. 15 kg. Dimensions of enclosure: 350 x 250 x 200mm (13.7" x 9.9" x 7.9") WxHxD.	

Directives and Standards	
EMC	EN 61326-1; FCC 47 CFR part 15
LVD	EN/IEC 61010-1
ATEX / IECEx	EN/IEC 60079-0; EN/IEC 60079-11
RoHS	EN 50581
IP & NEMA	EN 60529; NEMA 250

Inputs

Flowmeter	
Type P	nnp; npn-lp; reed; reed-lp; pnp; pnp-lp; namur; coil-hi; coil-lo; 8-1 DC; 12 DC; 24 DC
Frequency	Minimum 0 Hz – maximum 7 kHz for total and flow rate. Maximum frequency depends on signal type and internal low-pass filter. E.g. Reed switch with low-pass filter: max. frequency 120 Hz.
K-Factor	0.000010 - 9999999 with variable decimal position.
Low-pass filter	nnp-lp; reed-lp; pnp-lp

Temperature	
Type TP	2 or 3 wire PT100.
Standard range	-100°C to +200°C (-148°F to 392°F) – accuracy 0.1 °C (0.18°F).
Extended range (ZV)	-200°C to +800°C (-328°F to 1832°F) - accuracy 0.5 °C (0.9°F).
Update time	four times a second.
 Note !	The linearity is internally compensated.
Type TA	(0)4-20mA - with signal calibration feature at any current within the range.
Type TU	0-10 V - with signal calibration feature at any voltage within the range.
Accuracy	Resolution: 14 bit.. Error < 0.025mA / ±0.125% FS. Low level cut-off programmable.
Span	0.000010 - 9999999 with variable decimal position.
Update time	Four times a second.
Voltage drop, Type TA	2.5 Volt @ 20mA.
Load impedance, Type TU	3kOhm
 Note !	For signal type TA and TU: external power to sensor required; e.g. Type PD.

Outputs


Analog output	
Function	transmitting differential flow rate.
Accuracy	10 bit. Error < 0.05% - update 10 times a second. Software function to calibrate the 4.00mA and 20.00mA levels precisely within set-up.
Load	max. 1 kΩ
Type AA	Active 4-20mA output (requires type OA + PD, PF or PM).
Type AB	Active 0-20mA output (requires type OA + PD, PF or PM).
Type AF	Passive floating 4-20mA output for Intrinsically safe applications (requires PC or PD).
Type AI	Passive galvanic isolated output (requires PB, PD, PF, PL or PM).
Type AP	Passive 4-20mA output - output loop powered.
Type AU	Active 0-10V output (requires type OA + PD, PF or PM).

Switch outputs	
Function	One pulse output - transmitting accumulated total.
Pulse output	Max. frequency 500Hz. Pulse length user definable between 0.001 up to 9.999 seconds.
Type OA	Active 24V DC transistor output; max. 50mA per output (requires type AA + PD, PF or PM).
Type OR	Isolated mechanic relay output; max. switch power 230V AC - 0,5A (requires type PF or PM).
Type OT	Passive transistor output - not isolated. Load max. 50V DC - 300mA.

Communication (option)	
Protocol	bus-rtu; bus-asc
Speed	1200; 2400; 4800; 9600
Addressing	1 - 247
Type CB	RS232
Type CH	RS485 2-wire
Type CI	RS485 4-wire
Type CT	TTL Intrinsically safe communication.
Type CX	no communication.

Operational

Operator functions	
Shown functions	<ul style="list-style-type: none"> • Compensated differential total and/or compensated differential flow rate. • Compensated differential total and compensated differential accumulated total. • Inlet temperature and compensated flow rate. • Outlet temperature and compensated flow rate. • Compensated differential total can be reset to zero by pressing the CLEAR-key twice.

Total	
Digits	7 digits.
Unit	L; m ³ ; kg; lb; GAL; USGAL; bbl; no unit
Decimals	0000000; 111111.1; 22222.22; 3333.333
 Note !	Total can be reset to zero.

Accumulated total	
Digits	11 digits.
Unit / decimals	According to selection for total.

Flow rate	
Digits	7 digits.
Unit	mL; L; m ³ ; mg; g; kg; ton; gal; bbl; lb; cf; rev; - - - (no unit); scf; nm ³ ; nL; p
Decimals	0000000; 111111.1; 22222.22; 3333.333
Time units	/sec; /min; /hour; /day

Line temperature	
Digits	6 digits.
Units	°C; °F; K
Decimals	1
Normal temperature	default: 273.15 K - any temperature can be set.

Flow equations	
Type EL	Equations Liquid - flow computer for corrected liquid volume
Formula	$Q_{normal} = Q * (1 + \alpha (T_{normal} - T))$ where α = thermal expansion coefficient.

Appendix B. PROBLEM SOLVING

In this appendix, several problems are included that can occur when the F127-P-EL is going to be installed or while it is in operation.

Flowmeter does not generate pulses:

Check:

- Signal selection;
- Pulse amplitude;
- Flowmeter, wiring and connection of terminal connectors;
- Power supply of flowmeter.

Flowmeter generates "too many pulses":

Check:

- Settings for total and Flow rate;
- Type of signal selected with actual signal generated;
- Sensitivity of coil input;
- Proper grounding of the F127-P;
- Use screened wire for flowmeter signals and connect screen to terminal 9. (unless connected at sensor).

Analog output does not function properly:

Check:

- is the analog output enabled?
- are the flow-levels programmed correctly?
- connection of the external power-supply according to the specification.

Flow rate displays "0 / zero" while there is flow (total is counting):

Check:

- SETUP 22 / 25 and 41-42: are the K-factor and time unit correct?
- SETUP 26 / 27: The unit has to count the number of pulses according to SETUP 26 within the time according to SETUP 27. Make sure that 27 is set to 10.0 seconds for example : the result is the unit has at least 10 seconds time to measure the number of pulses according to SETUP 26.

The password is unknown:

- If the password is not 1234, there is only one possibility left: call your supplier.

ALARM

When the alarm flag starts to blink an internal alarm condition has occurred. Press the "select button" several times to display the error code. When multiple errors arise at the same time, their error codes are added and their sum is shown. The digital [d] codes are:

Not recoverable by the end user:

- [d] 0 = no error;
- [d] 1 = display error;
- [d] 2 = data-storage error;
- [d] 3 = error 1 + error 2 simultaneously;
- [d] 4 =: initialization error.
- [d] 8 =: Analog input error;
- [d] 16 =: PT100 ADC error.

Recoverable by the end user:

- [d] 32 =: Correction calculation factor (A) error;
- [d] 64 =: Correction calculation factor (B) error;
- [d] 128 =: Temperature Pressure Compensation (TPC A) calculation error;
- [d] 256 =: Temperature Pressure Compensation (TPC B) calculation error;
- [d] 512 =: PT100 sensor 1 out of range error;
- [d] 1024 =: PT100 sensor 2 out of range error.

For a not recoverable error, keep the error code at hand and contact your supplier.

Appendix C. COMMUNICATION

General

The product is fitted with the Modbus communication protocol and can be equipped with various physical interfaces like RS485 and RS232 (please see device datasheet for available options). The tables below show the various variables that can be accessed through the communication.

Currently, the function codes supported are:

- function code 3 “Read Holding Registers” (4x references);
- function code 16 “Preset Multiple Registers” (4x references).

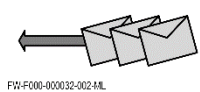
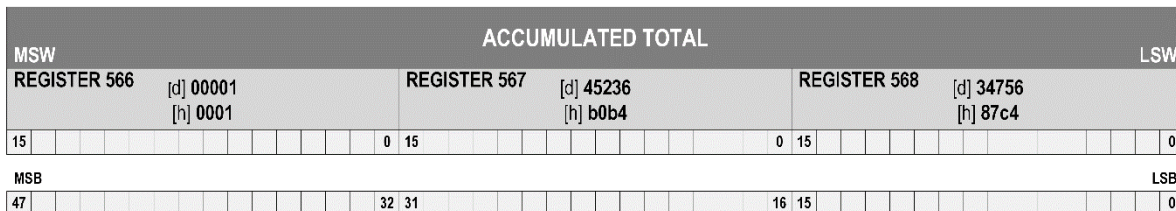
The table below shows the Modbus PDU addresses in a decimal format, followed by its hexadecimal representation (0x0000). When the PLC address range is required (4x references are typically used by PLCs), please add a value of 40001 to the Modbus PDU address. E.g. reading the serial number of the product with PLC-based addressing means: 165 + 40001 = register 40166.

The variables that consist of a multiple register must always read/write in 1 single action!

Refer to the illustration:

For this example it is assumed that the variable accumulated total has 3 registers (words) with address 566, 567 and 568. When a transmission is done, register 566, which acts as the MSW, arrives first with bit 15 which is the MSB of the lowest addressed word, but is also the MSB (bit 47) of the complete variable that represents the Accumulated total.

Although most Modbus Masters will support variables that span 2 registers, variables spanning more registers sometimes require you to manually calculate the resulting value.



ACCUMULATED TOTAL: [register 566 * 4294967296] + [register 567* 65536] + [register 568*1] =
 [d] ACCUMULATED TOTAL: [00001 * 4294967296] + [45236 * 65536] + [34756*1] = 7259588540
 [h] ACCUMULATED TOTAL: 0x[0001] [b0b4] [87c4] = 1B0B487BC

For additional information regarding using your Modbus device, please read our 'General Modbus Communication Protocol' and 'Modbus troubleshooting guide' that are available through our website or your distributor.

Runtime variables

PDU ADDRESS	REGISTER	VARIABLE RUN TIME	NO. REGISTERS	R/W	TYPE	VALUE / REMARKS
[d] 1596 [h] 0x63C	41597	temperature corrected differential flow rate	2	r	uint32	0...9999999 Representation: unit, time, decimals depending on variables 48, 49, 50
[d] 566 [h] 0x236	40567	temperature corrected differential total	3	r*	uint48	0...9999999999 Representation: unit, decimals depending on variables 32, 33
[d] 560 [h] 0x230	40561	temperature corrected differential accumulated total	3	r	uint48	0...99999999999999 Representation: unit, decimals depending on variables 32, 33
[d] 572 [h] 0x23C	40573	Flow rate-A	2	r	uint32	0...9999999 Representation: unit, time, decimals depending on variables 48, 49, 50
[d] 588 [h] 0x24C	40589	Flow rate-B	2	r	uint32	0...9999999 Representation: unit, time, decimals depending on variables 48, 49, 50
[d] 212 [h] 0x0D4	40213	Temperature-A	1	r	uint16	0...9999999
[d] 218 [h] 0x0DA	40219	Temperature-B	1	r	uint16	0...9999999

PDU ADDRESS	REGISTER	VARIABLE RUN TIME	NO. REGISTERS	R/W	TYPE	VALUE / REMARKS
[d] 516 [h] 0x204	40517	error status (bitfield)	1	r	uint16	[d] 1: Display error [d] 2: data-storage error [d] 4: initialization error [d] 8: Analog input error [d] 16: PT100 ADC error [d] 32: Correction calculation factor (A) error [d] 64: Correction calculation factor (B) error [d] 128: TPC A calculation error [d] 256: TPC B calculation error [d] 512: PT100 sensor1 out of range error [d] 1024: PT100 sensor2 out of range error

Reading differential flow rate, total or accumulated total

The returned values are given including the decimals and represent the actual value. The given value may differ from the value that is shown on the display – this is due to the fact that the display is limited in the number of digits and may have a slower update rate set.

For example when two decimals are selected for total and total has a value of 123456,78 the display will show 23456,78 while communication will read a “total” of 12345678 and a “total decimals” of 2.

* Clearing total

It is possible to clear the total counter by means of writing a value of 0 to all the 3 registers of total/flow rate in a single write action. Writing any other value will result in the reply of an error message because the registers of total/flow rate are during operation read-only.

Setup variables

PDU ADDRESS	REGISTER	VARIABLE TOTAL A	NO. REGISTERS	R/W	TYPE	VALUE / REMARKS
[d] 32 [h] 0x020	40033	unit (A and B)	1	r/w	uint16	0: none 3: kg 6: usgal 1: L 4: lb 7: bbl 2: m3 5: gal
[d] 33 [h] 0x021	40034	decimals (A and B)	1	r/w	uint16	0...3
[d] 34 [h] 0x022	40035	K-factor	2	r/w	uint32	1...9999999 Representation: 0.000010...9999999 depending on variable 54: decimals K-factor.
[d] 37 [h] 0x025	40038	decimals K-factor	1	r/w	uint16	0...6

PDU ADDRESS	REGISTER	VARIABLE FLOW RATE A	NO. REGISTERS	R/W	TYPE	VALUE / REMARKS
[d] 48 [h] 0x030	40049	unit(A and B)	1	r/w	uint16	0: mL 6: ton 12: none 1: L 7: gal 13: scf 2: m3 8: bbl 14: NM3 3: mg 9: lb 15: NL 4: g 10: cf 16: P 5: kg 11: rev
[d] 49 [h] 0x031	40050	time unit (A and B)	1	r/w	uint16	0: sec 2: hour 1: min 3: day
[d] 50 [h] 0x032	40051	decimals (A and B)	1	r/w	uint16	0...3
[d] 51 [h] 0x033	40052	K-factor	2	r/w	uint32	1...9999999 Representation: 0.000010...9999999 depending on variable 54: decimals K-factor.
[d] 54 [h] 0x036	40055	decimals K-factor	1	r/w	uint16	0...6
[d] 62 [h] 0x03E	40063	filter	1	r/w	uint16	1...99
[d] 71 [h] 0x047	40072	period	1	r/w	uint16	1...999 Representation: 0.1 – 99.9 sec

PDU ADDRESS	REGISTER	VARIABLE TOTAL B	NO. REGISTERS	R/W	TYPE	VALUE / REMARKS
[d] 40 [h] 0x028	40041	K-factor	2	r/w	uint32	1...9999999 Representation: 0.000010...9999999 depending on variable 43: decimals K-factor.
[d] 43 [h] 0x02b	40044	decimals K-factor	1	r/w	uint16	0...6

PDU ADDRESS	REGISTER	VARIABLE FLOW RATE B	NO. REGISTERS	R/W	TYPE	VALUE / REMARKS
[d] 227 [h] 0x0E3	40228	K-factor	2	r/w	uint32	1...9999999 Representation: 0.000010...9999999 depending on variable 230 decimals K-factor
[d] 230 [h] 0x0E6	40231	decimals K-factor	1	r/w	uint16	0...6

PDU ADDRESS	REGISTER	VARIABLE DISPLAY	NO. REGISTERS	R/W	TYPE	VALUE / REMARKS
[d] 64 [h] 0x040	40065	function	1	r/w	uint16	0: total 1: flow rate
[d] 67 [h] 0x043	40068	backlight brightness	1	r/w	uint16	0: off 2: 40% 4: 80% 1: 20% 3: 60% 5: 100%
[d] 73 [h] 0x049	40074	measurement	1	r/w	uint16	0: bi-direct 2: threshold 1: not negative 3: stationary
[d] 77 [h] 0x04D	40078	stationary flow rate	2	r/w	uint32	0...9999999 Representation: 0.000000...9999999
[d] 44 [h] 0x02C	40045	stationary total	2	r/w	uint32	0...9999999 Representation: 0.000000...9999999

PDU ADDRESS	REGISTER	VARIABLE POWER MANAGEMENT	NO. REGISTERS	R/W	TYPE	VALUE / REMARKS
[d] 80 [h] 0x050	40081	LCD update time	1	r/w	uint16	0=fast 2=3sec 4=30sec 1=1sec 3=15sec 5=off
[d] 81 [h] 0x051	40082	power mode	1	r/w	uint16	0=operational 1=shelf

PDU ADDRESS	REGISTER	VARIABLE FLOWMETER	NO. REGISTERS	R/W	TYPE	VALUE / REMARKS
[d] 96 [h] 0x060	40097	flowmeter signal A	1	r/w	uint16	0: npn 4: pnp 8: coil-lo 1: npn lp 5: pnp lp 9: act. 8.1V 2: reed 6: namur 10: act. 12V 3: reed lp 7: coil-hi 11: act. 24V
[d] 97 [h] 0x061	40098	flowmeter signal B	1	r/w	uint16	0: npn 4: pnp 8: coil-lo 1: npn lp 5: pnp lp 9: act. 8.1V 2: reed 6: namur 10: act. 12V 3: reed lp 7: coil-hi 11: act. 24V

PDU ADDRESS	REGISTER	VARIABLE TEMPERATURE A/B	NO. REGISTERS	R/W	TYPE	VALUE / REMARKS
[d] 209 [h] 0x0D1	40210	display	1	r/w	uint16	0: °C 1: °F 2: K
[d] 208 [h] 0x0D0	40209	number of wires	1	r/w	uint16	0: 2 1: 3
[d] 199 [h] 0x0C7	40200	filter	1	r/w	uint16	0...99

PDU ADDRESS	REGISTER	VARIABLE FORMULA	NO. REGISTERS	R/W	TYPE	VALUE / REMARKS
[d] 74 [h] 0x04A	40075	thermal expansion coefficient	1	r/w	uint32	0...9999999 (*10 ⁻⁹)
[d] 537 [h] 0x219	40538	normal temperature	1	r/w	uint16	0.00...99,999.99; step: 0.01 K; Representation: temperature unit depending on variable 528

PDU ADDRESS	REGISTER	VARIABLE ANALOG OUTPUT	NO. REGISTERS	R/W	TYPE	VALUE / REMARKS
[d] 112 [h] 0x070	40113	analog output	1	r/w	uint16	0: disable 1: enable
[d] 113 [h] 0x071	40114	rate-min	2	r/w	uint32	0...9999999 Representation: unit, time, decimals depending on variables 48, 49, 50
[d] 116 [h] 0x074	40117	rate-max	2	r/w	uint32	0...9999999 Representation: unit, time, decimals depending on variables 48, 49, 50
[d] 119 [h] 0x077	40120	cut off	1	r/w	uint16	0..99 Representation: 0.0 – 9.9%
[d] 120 [h] 0x078	40121	tune-min	1	r/w	uint16	0...9999
[d] 122 [h] 0x07A	40123	tune-max	1	r/w	uint16	0...9999
[d] 99 [h] 0x063	40100	filter	1	r/w	uint16	1...99

PDU ADDRESS	REGISTER	VARIABLE PULSE	NO. REGISTERS	R/W	TYPE	VALUE / REMARKS
[d] 135 [h] 0x087	40136	mode	1	r/w	uint16	0: not negative 1: separated 2: signed
[d] 128 [h] 0x080	40129	pulse width	1	r/w	uint16	0...9999, (0=disabled) Representation: 0.000 – 9.999 sec
[d] 133 [h] 0x085	40134	decimals	1	r/w	uint16	0...3
[d] 130 [h] 0x082	40131	amount	2	r/w	uint32	1...9999999 Representation: 0.001...9999999 depending on variables 133

PDU ADDRESS	REGISTER	VARIABLE COMMUNICATION	NO. REGISTERS	R/W	TYPE	VALUE / REMARKS
[d] 144 [h] 0x090	40145	speed (baud rate)	1	r/w	uint16	0: 1200 2: 4800 1: 2400 3: 9600
[d] 145 [h] 0x091	40146	Modbus address	1	r/w	uint16	1...247
[d] 146 [h] 0x092	40147	Modbus mode	1	r/w	uint16	0=ASCII 1=RTU 2=OFF

PDU ADDRESS	REGISTER	VARIABLE OTHERS	NO. REGISTERS	R/W	TYPE	VALUE / REMARKS
[d] 173 [h] 0x0AD	40174	model number	1	r	uint16	0...9999
[d] 160 [h] 0x0A0	40161	model suffix	1	r	char	Representation: ASCII character
[d] 162 [h] 0x0A2	40163	firmware version	2	r	uint32	0...9999999 Representation: nn:nn:nn
[d] 165 [h] 0x0A5	40166	serial no	2	r	uint32	0...9999999 Representation: nnnnnnn
[d] 168 [h] 0x0A8	40169	password	1	r	uint16	0...9999
[d] 170 [h] 0x0AA	40171	tag-nr	2	r/w	uint32	0...9999999 Representation: nnnnnnn

Appendix D. DECLARATION OF CONFORMITY



Count on us.

EU Declaration of Conformity

Fluidwell F1-series indicators

Veghel, January 2019

We, Fluidwell BV, declare under our sole responsibility that the F1-series indicators are designed and will operate conform the following applicable European Directives and Harmonised Standards, when installed and operated according to the related manual:

EMC Directive	2014/30/EU	EN61000-6-2:2016; EN61000-6-3: 2007 /A1:2011; EN61326-1:2013
RoHS Directive	2011/65/EU	EN 50581:2012
Low Voltage Directive	2014/35/EU	
	For options –PM or –OR:	EN61010-1:2010
ATEX Directive	2014/34/EU	EN60079-0:2018
	For option -XI, intrinsically safe:	EN60079-11:2012
	Protective system:	Ex II 1 G Ex ia IIB/IIC T4 Ga Ex II 1 D Ex ia IIIC T ₂₀₀ 100 °C Da
Certification	For Groups II & III, surface installation Notified body 0344:	KEMA 03ATEX1074 X, Issue 6 DEKRA Certification BV, Meander 1051, 6825 MJ, Arnhem, the Netherlands.

Last two digits of the year in which the CE marking was affixed: 03.

Fluidwell BV

I. Meij, Manager Technology

Fluidwell BV are ISO9001 certified by DEKRA Certification BV, Meander 1051, 6825 MJ, Arnhem, The Netherlands.

	Fluidwell bv	Telephone: +31 (0) 413 - 343 786	Trade Reg. No: 17120985	EUR account no: 66.63.96.078
	P.O. Box 6 • 5460 AA • Veghel	Telefax: +31 (0) 413 - 363 443	VAT No: NL8085.29.699.B.01	IBAN: NL73 INGB 0666 3960 78
	Voltaweg 23 • 5466 AZ • Veghel	Email: displays@fluidwell.com	Bank: ING-Bank	USD account no: 02.20.81.771
	The Netherlands	Internet: www.fluidwell.com	SWIFT Nr / BIC: INGBNL2A	IBAN: NL22 INGB 0022 0817 71
<small>All agreements, sales and deliveries are in accordance with our General Terms and Conditions which are available on our website or upon request. Any other conditions are herewith explicitly rejected by us.</small>				

INDEX OF THIS MANUAL

accumulated total	7	calculation	12
actual settings	54, 55	functional description	5
analog		hardware version	3
floating output.	37	intrinsic safety	34
flowrate min.	17	Intrinsic safety	34, 36, 37, 40
intrinsically safe output.	37	IP classification	20
tune / calibrate	17	maintenance	40
Analog output	29	manual version	3
backlight		namur signal	33
density	14	operational	6, 8, 9, 20, 40
clear total	7	operator level	7
coil-signal	31	power supply	29
Coil-signal	31	pulse output	
communication	33	pulse length / period time	18
contents	4	Pulse output	29
dimensions	21	pulse-signal NPN	32
display		pulse-signal PNP	32
function	14	rate / total	7
filter	16	reed-switch:	33
flowmeter		software version	3
signal	15	temperature input	33
Flowmeter input	31	temperature settings	16
flowrate		time/date	7

LIST OF FIGURES IN THIS MANUAL

Fig. 1: Typical application	5
Fig. 2: Control panel	6
Fig. 3: Process information (typical)	7
Fig. 4: Low-battery alarm (typical)	7
Fig. 5: Aluminum and stainless enclosures – Dimensions	21
Fig. 6: GRP enclosures - Dimensions	22
Fig. 7: Protective Earth (PE) connections on metal enclosure	24
Fig. 8: Overview of terminal connectors - Standard configuration and options	27
Fig. 9: Sensor supply voltage - Switch setting	28
Fig. 10: Terminal connections - Active output (typical)	29
Fig. 11: Terminal connections - Mechanical relay output (typical)	29
Fig. 12: Terminal connections - Pulse output (typical)	29
Fig. 13: Terminal connections - 4-20mA analog output (typical)	30
Fig. 14: Terminal connections - Active 0-20mA analog output (typical)	30
Fig. 15: Terminal connections - Isolated 4-20mA analog output (typical)	30
Fig. 16: Terminal connections - Passive 4-20mA analog output (typical)	31
Fig. 17: Terminal connections - Active 0-10V analog output (typical)	31
Fig. 18: Terminal connections - Coil signal input (typical)	31
Fig. 19: Terminal connections - NPN signal input (typical)	32
Fig. 20: Terminal connections - PNP signal input (typical)	32
Fig. 21: Terminal connections - Active signal input (typical)	32
Fig. 22: Terminal connections - Reed-switch signal input (typical)	33
Fig. 23: Terminal connections - NAMUR signal input (typical)	33
Fig. 24: Example serial number (typical)	35
Fig. 25: Label information - Intrinsically safe application (typical)	35
Fig. 26: Overview terminal connectors - Intrinsically safe (typical)	36
Fig. 27: Terminal connections - Intrinsically safe floating 4-20mA analog output (typical)	37
Fig. 28: Switch position voltage selection type PD-XI	37
Fig. 29: F127-P-(AP)-(CT)-EL-TP-(OT)-PC-XI - Battery powered - IIB/IIC - IIIC	38
Fig. 30: F127-P-AP-CT-EL-OT-(PX)-TP-XI - Output loop powered - IIB/IIC - IIIC	39

LIST OF CONFIGURATION SETTINGS			
SETTING	DEFAULT	DATE:	DATE:
1 TOTAL-A	Enter your settings here		
11 unit	L		
12 decimals	0000000		
13 K-factor	0000001		
14 decimals K-factor	0		
2 FLOW RATE- A			
21 unit	L		
22 time unit	/min		
23 decimals	0000000		
24 K-factor	0000001		
25 decimals K-factor	0		
26 filter	1		
27 period	1.0 sec.		
3 TOTAL-B			
31 K-factor	0000001		
32 decimals K-factor	0		
4 FLOW RATE- B			
41 K-factor	0000001		
42 decimals K-factor	0		
5 DISPLAY			
51 function	total		
52 light	100%		
53 measurement	bi-directional		
54 stationary flow rate	0 L/ min		
55 stationary total	0 L/hr		
6 POWER MANAGEMENT			
61 LCD-new	1 sec.		
62 battery mode	operate		
7 FLOWMETER			
71 signal A	coil-lo		
72 signal B	coil-lo		
8 TEMPERATURE A/B			
81 display unit	°C		
82 no. of wires	3		
83 filter	0		
9 FORMULA			
91 type	EL		
92 thermal exp. coefficient	0.000000		
93 normal temperature	288.15 K		

LIST OF CONFIGURATION SETTINGS			
SETTING	DEFAULT	DATE:	DATE:
A ANALOG OUTPUT		Enter your settings here	
A1	output	disabled	
A2	rate-min	0000000	
A3	rate-max	9,999,999	
A4	cut-off	0.0	
A5	tune-min	0160	
A6	tune-max	6656	
A7	filter	1	
B PULSE			
B1	mode	signed	
B2	width	0 (off)	
B3	decimals	0	
B4	amount	1.000	
C COMMUNICATION			
C1	speed	9600	
C2	address	1	
C3	mode	BUS-RTU	
D OTHERS			
D1	model	F127-P	
D2	software version		
D3	serial no.		
D4	password	0000	
D5	tag-nr	0000000	

Fluidwell B.V.
PO box 6
5460 AA Veghel
The Netherlands

Voltaweg 23
5466 AZ Veghel
The Netherlands

Website: www.fluidwell.com
Find your nearest representative: www.fluidwell.com/representatives
Copyright: 2021 - FW_F127PELTP_v1901_02_EN.docx