



Drum Trolley Instruction Manual



M3TR5



M3TR205



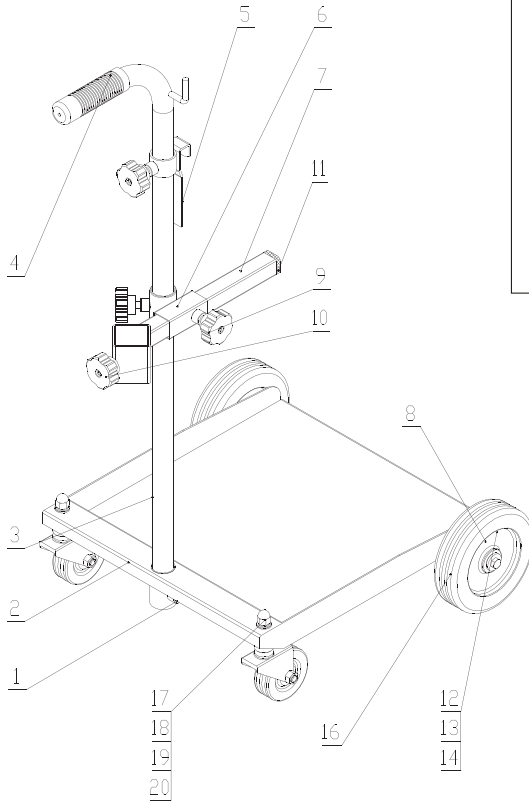
WARNING:

Read carefully and understand all **INSTRUCTIONS** before operating. Failure to follow the safety rules and other basic safety precautions may result in serious personal injury. Save these instructions in a safe place and on hand so that they can be read when required. Keep these instructions to assist in future servicing.

TECHNICAL DETAILS

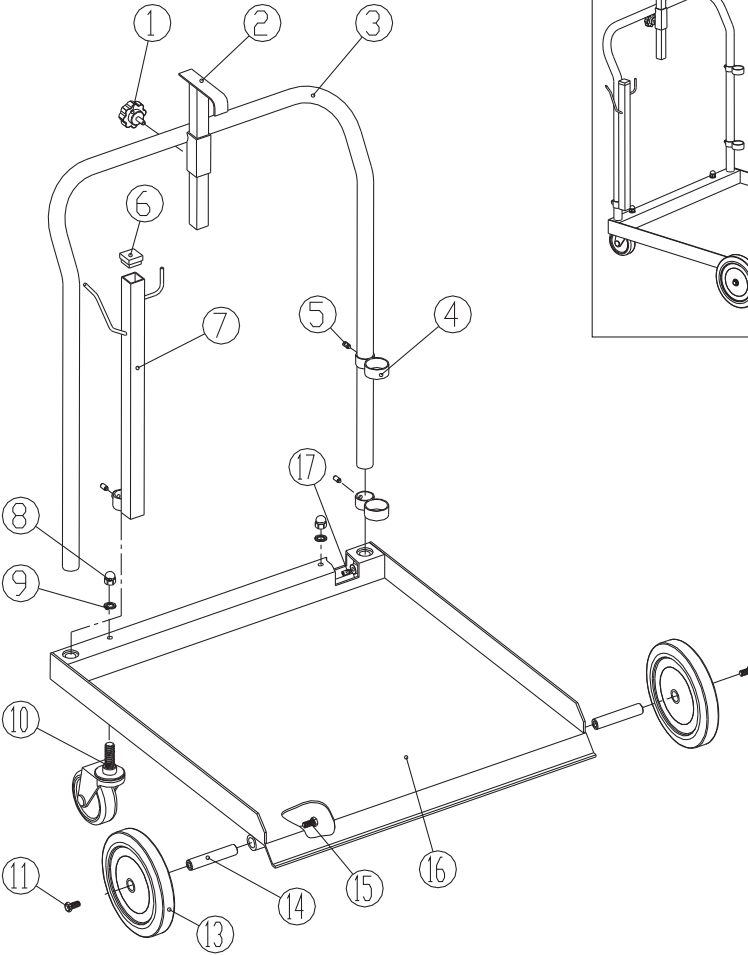
Item No.	Drums Weight	Drums Diameter
M3TR5	20-60L/5.3-16gallon (20-60kgs/44-132lbs)	15.16"/385mm
M3TR205	180-220L/48-58gallon (180-220kgs/400-484lbs)	24"/600mm

EXPLODED AND PARTS LIST - M3TR5



Part No.	Description	Q'ty	Part No.	Description	Q'ty
1	Screw	1	11	Blocker	1
2	Trolley top	1	12	M6 bolt	2
3	Handle	1	13	Washer	2
4	Handle cover	1	14	M8 bolt	2
5	Drum support	1	15	Washer	2
6	Adjustable cover	1	16	Wheel	2
7	Adjustable pole	1	17	Swivelling wheel	2
8	Hexagon bolt	2	18	Acorn nut	2
9	Handle wheel	3	19	Washer	2
10	Accessory	1	20	Washer	2

EXPLODED AND PARTS LIST - M3TR205



Part No.	Description	Q'ty	Part No.	Description	Q'ty
1	Accessories	1	10	A swivelling wheel	2
2	Drum holder support	1	11	Hexagon bolt	2
3	Handle	1	12	Washer	2
4	Pump support	2	13	Wheel	2
5	Hexagon screw set	3	14	Axle	2
6	Stopper	1	15	Hexagon bolt	2
7	Accessories support	1	16	Trolley top	1
8	Acom nut	2	17	Hexagon screw set	2
9	Washer	2			



Macnaught Americas
(813) 628-5506 | info@macnaughtusa.com

* Read Manual Before Use!