

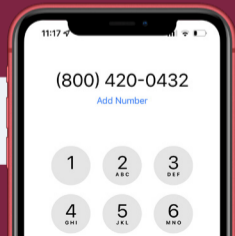


CR Handrail

Cable Railing Kit

Need help? Text us the
picture of your problem

v042923



You made the right choice of railing!



Cost-Effective



Safe & Durable



Quick to Install



Easily Extendable
(Modular)



Time Required

Ground attachment:

wood - **20+ minutes**

concrete - **60+ minutes**



Tools Required

An electric drill/hammer

An impact drill is preferred (although not required) for installing the concrete bolts for **concrete steps**, lag screws for **wooden steps**, or other ground attachments.

Means and Methods Disclaimer

In no event shall CR Handrail have any responsibility, control over, charge of, responsibility, or liability for the means, methods, techniques, sequences, or procedures, or for safety precautions in connection with the installation of the railing, since these are solely CM/GC's, Subcontractor's, and Owner's responsibilities.

Each installation site differs widely ranging from the construction & condition of attachment points, local building & safety code, local construction code, and local means & methods.

CR Handrail's installation guide (whether it be in text, illustration, video or in support discussion) constitute for ideal installation condition. There is no ideal installation in real life. There is no substitution for consulting a local licensed contractor, architect, engineer, nor code inspector.

CR Handrail's installation hardware and tools are provided as building material and does NOT constitute as the specific nor final installation hardware. Once again, you and your installer must make the final on-site determination to the specific means and methods of installation appropriate for your installation.

Following CR Handrail's instruction does NOT constitute as proper installation as you and your installer must make the final means & method determination. Improper installation can lead to failure of rail system which can cause serious injury.



Please make sure the hardware and tools we provided will be right for your install (READ means & methods disclaimer). IT IS POSSIBLE YOU NEED DIFFERENT HARDWARE & METHODS. Please take your time to do your installation. If you are unsure or uncomfortable with the installation, we highly recommend hiring a licensed and bonded contractor.



We've made it easy for you
to install your post!



Scan this QR code
for a detailed video
explanation of how
to install your new
handrail correctly.

Masonry Tools & Hardware Explained

FOR CONCRETE

**5/16 (8mm)
Anchor Bolt**



**5/16 (8mm)
Masonry Drill Bit**



**SDS+ available
upon request*

**Diamond Core
Drill Bit**



*For hard stone
available upon request

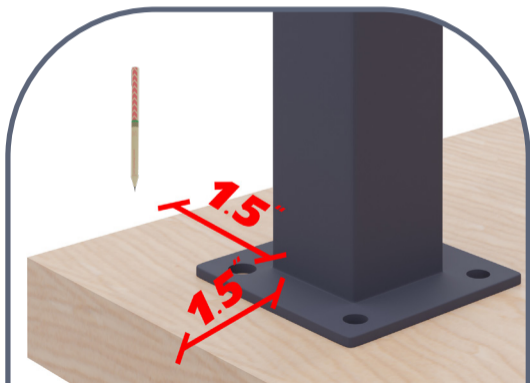
Note: This will be a tight fit. In fact, the specification calls for the drill bit and anchors to be the same size. Some installers use a 3/8 drill bit to make the installation easier, and other installers wiggle the drill bit to bore the top of the hole slightly bigger. (We are aware of the tight fit and we must only recommend using our masonry drillbit without wiggling).

WARNING

The strength of the anchor is dependent on the hole size & concrete integrity. A hole that's too big or concrete that's not up to standard grade can make the anchor wiggle or possibly come out. This is what can cause a rail to fail & fall over.

01

Position and Mark the Holes



Post should be at least 1.5" (4cm) away from edges.

Ensure the post baseplate is parallel with edges.

FOR CONCRETE

Please adhere to local & statewide building code. Recommended distance from the edge is based on standard grade concrete (2500 psi).

If your concrete is 'high-strength' concrete, the edge distance can be reduced.

(See ICC Chapter 19, Table 1908.2)

02

Position and Mark the Holes

**Smaller drill bit
(Please go straight to Step 2.5)**



**Larger drill bit
(Continue to Step 2.3)**



FOR CONCRETE

Ensure Correct Depth

03

Use the CR Handrail pencil to measure the depth of the hole with the flat end of the pencil.

Note: This is only for rough measurements. This is to ensure the hole is deep enough.

*For Wood,
please go
straight to
Step 2.5*

Tip: holes must be deep enough or will have a serious issue.



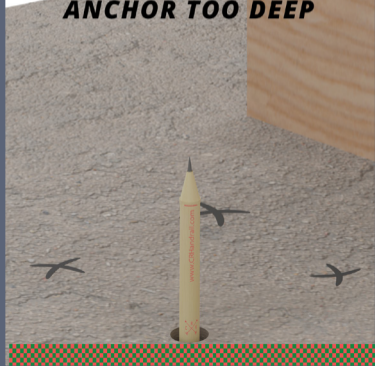
PERFECT DEPTH



HOLE TOO DEEP



**CAREFUL NOT TO INSERT
ANCHOR TOO DEEP**



04

Install Anchors

FOR CONCRETE



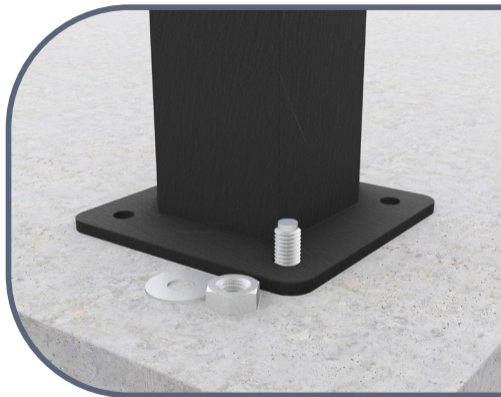
Once the holes are made and depth verified, hammer the anchors into the holes.



Tip: Hammer the anchor with 2 washers and 2 nuts (with nut at the very tip) to prevent over insertion.

Periodically Double Check!

Put the post onto the anchor and physically verify the washer and nut has only enough thread to for the full height of the nut to screw on.

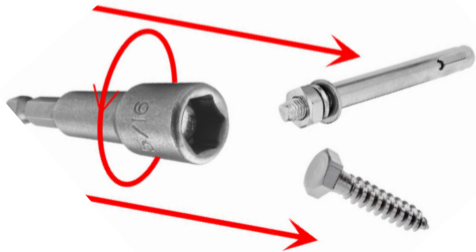


05

Secure Post to Ground

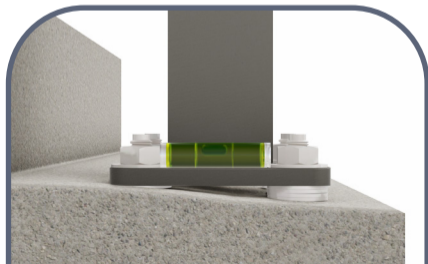


Use the nut socket & bit extension



What if Post Not Level?

If ground is not level, use included extra washers to shim the baseplate



FOR WOOD



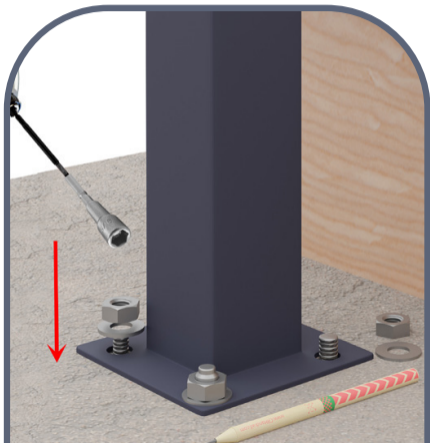
1. Position the posts (along with the complete railing) over predrill holes.

2. Install a washer & lag screw, one-by-one

3. When all are installed, doublecheck each of them again, to ensure all are tightened.

Note: If your drill has a hammer (or impact) function, enable it.

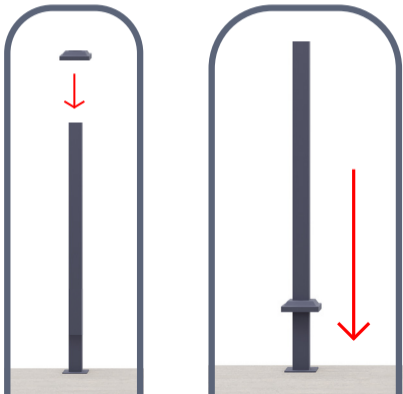
FOR CONCRETE



- 1. With all the nuts & washers removed, put the posts onto the anchor bolts (along with the rest of the rail). Install a washer & lag screw, one-by-one**
- 2. Hand-tighten a washer and nut over each anchor bolt.**
- 3. Use the electric drill to tighten the nut (turn off hammer or impact driver function).**

06

Put Post Cap on



Insert Sleeve Protector

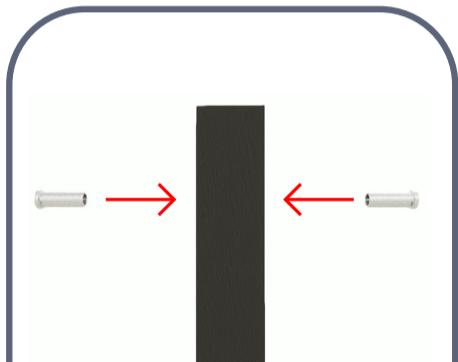
07

Insert the provided Sleeve Protector through the holes on the Post

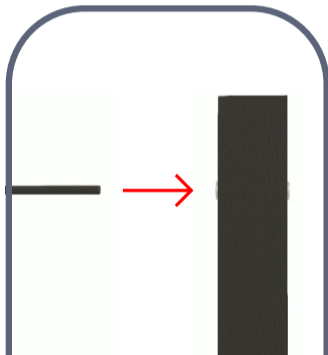


07

Insert Sleeve Protector



Insert your
cable wire
(not provided)
through the
holes.



09

Secure Your Cable Wire

Cut your cable wire at the last post and secure your cable wire.

**This can be done using a
Cable Threaded Crimp Fitting.
(not provided).**



**Installation
Complete!**



Your Cable Railing is Universal



CR Handrail can be extended easily.

We will even cut it to the right size so all you have to do is attach both ends of the railing.

It can be used as outdoor cable railing, outdoor railing, stair railing, stair cable rail, porch cable rail.

Rail kits for your home's every need!

Safety doesn't end with the staircase. Explore our range of rail kits!

Complementary **Cut to Size**
www.crhandrail.com/extension



CR Handrail's Brackets and Covers



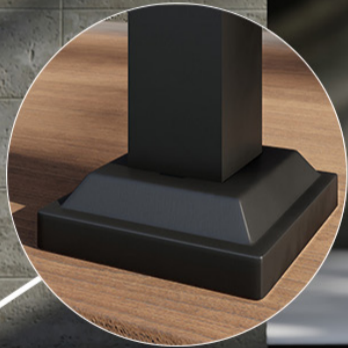
PCap



FRB kts-TR



HRBkts-TR



PCvr

CR Handrail's Top Connectors for Top Rail & Post



PC90F

PC180A



PC90AL



C180F



For CRHOR4 and CRHOR6 Guard Rails

For Cable



*Ensure top and bottom rail
has just the right
spacing between post.*

Included

Not



Terminal Protection

CR Handrail's Specialty Posts

More from **CR HANDRAIL**

CR Handrail's **Fencing Post**



CRP-FC48

CRP-FC60

CRPT48TM

CRPT60TM



5

Years' Free Warranty

- 1) Scan the barcode within 30 days.
- 2) Register your product.

Or, register your product at
www.crhandrail.com/5yearwarranty




Need help?

- Connect Multiple Railings
- Technicl Drawings
- Complicated Installations
- Installation Error
- Missing Parts

CONTACT US
(Info Last Page)





Chi & Richard with family at San Diego Safari Park

A heartfelt message from the owners of CR Handrail

Chi is an architect and Richard is in real estate construction. With the combined knowledge and expertise, Chi & Richard believe they can provide the best commercial grade railing product that can be installed by anyone. They want to take the time to say thank you. If you got the time, Chi, Richard & the CRH team love to see a photo or video of your installation!

- Chi & Richard from CR Handrail

Your picture and video post helps those who are worried about the installation.



Susanna P.

★★★★★ I was worried

Reviewed in Canada on October 12, 2022

Size: 4 Steps | **Verified Purchase**

I was a little worried that the handrail would be difficult to install. It comes with everything you could possibly need to install the railing. Hats off to the people who put the kit together.

2 people found this useful



Help Us Make
a Difference:

**SAFETY
FOR ALL!**

How can we
make it easier
for you?



Missing Parts?
www.crhandrail.com/parts

Support



Text with Photos
(800) 420-0432



WhatsApp
(775) 324-8877