

## Bed Installation

Tools You Will Need: Tools You May Need



Adjustable wrench



Hexagon wrench



Philips Screwdriver

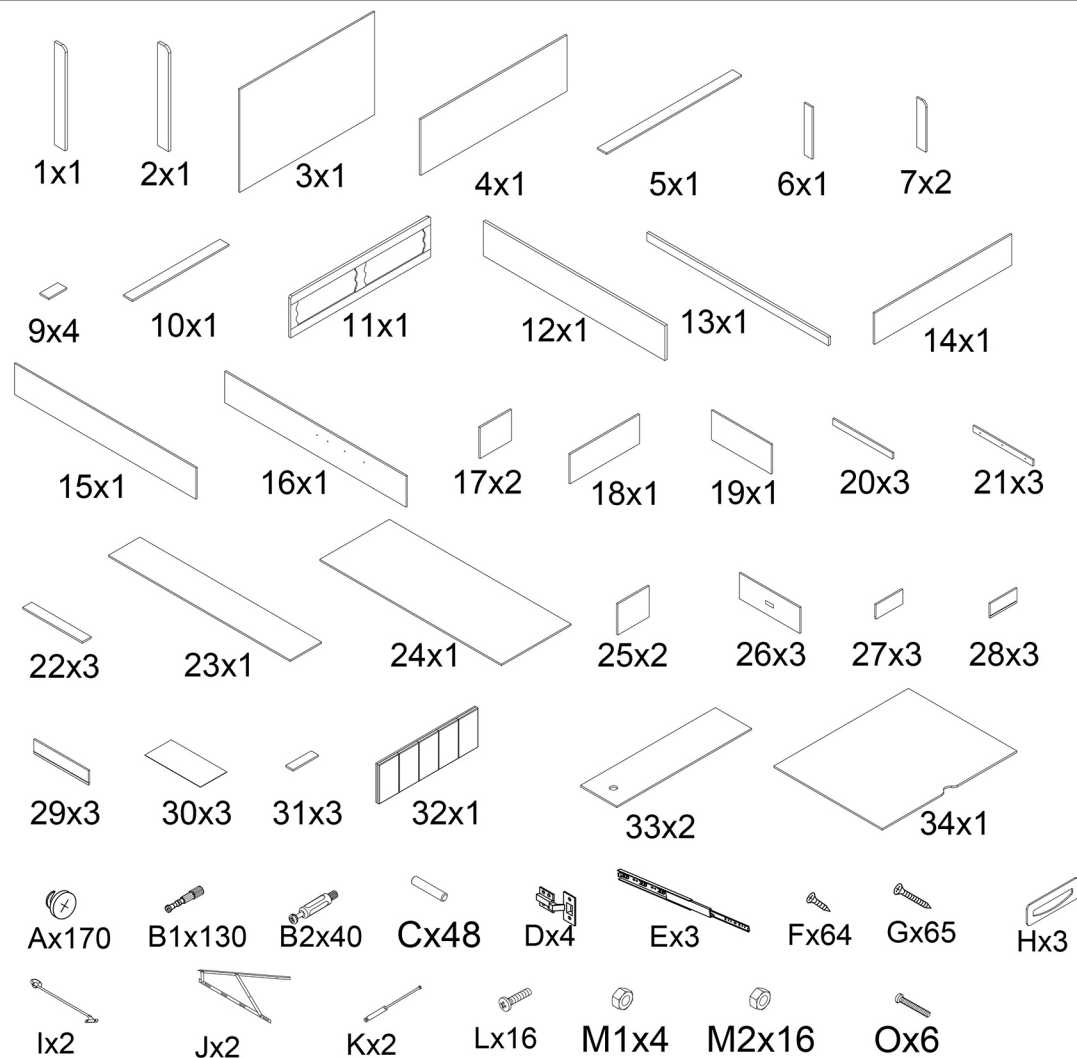
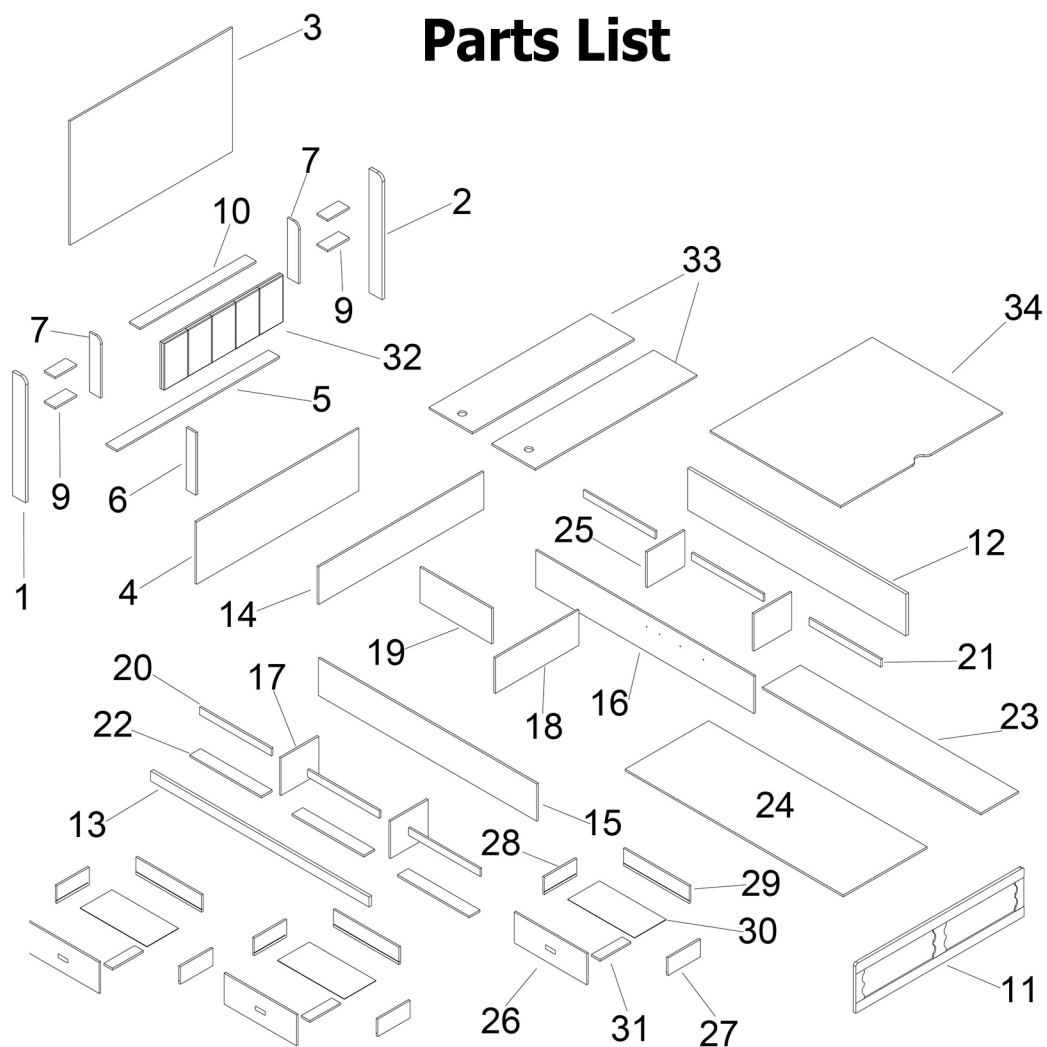
### Before the Installation

1. Do not throw away packing materials until assembly is complete for small parts may come loose inside the carton during shipment. If parts are missing, please contact us.
2. Assemble this item on a soft surface, such as carpet to protect the finish.
3. Proper assembly of this item requires 2 people.
4. Periodically check to ensure that all connections are tight.
5. It is recommended that installation of the product be done by a qualified licensed furniture assembler.

### Care and Cleaning

1. To protect the finish, avoid use chemicals and household cleaners.
2. All hot serving dishes should be placed on a pad.
3. Any liquid spilled onto the top should be cleaned up immediately with a damp cloth.

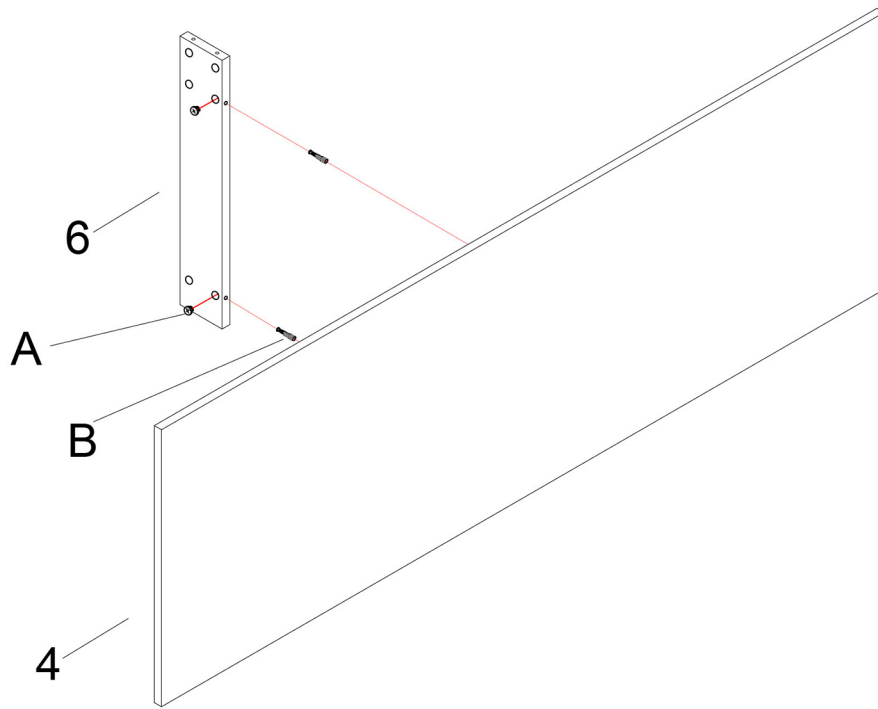
# Parts List



# Step 1

A  x2

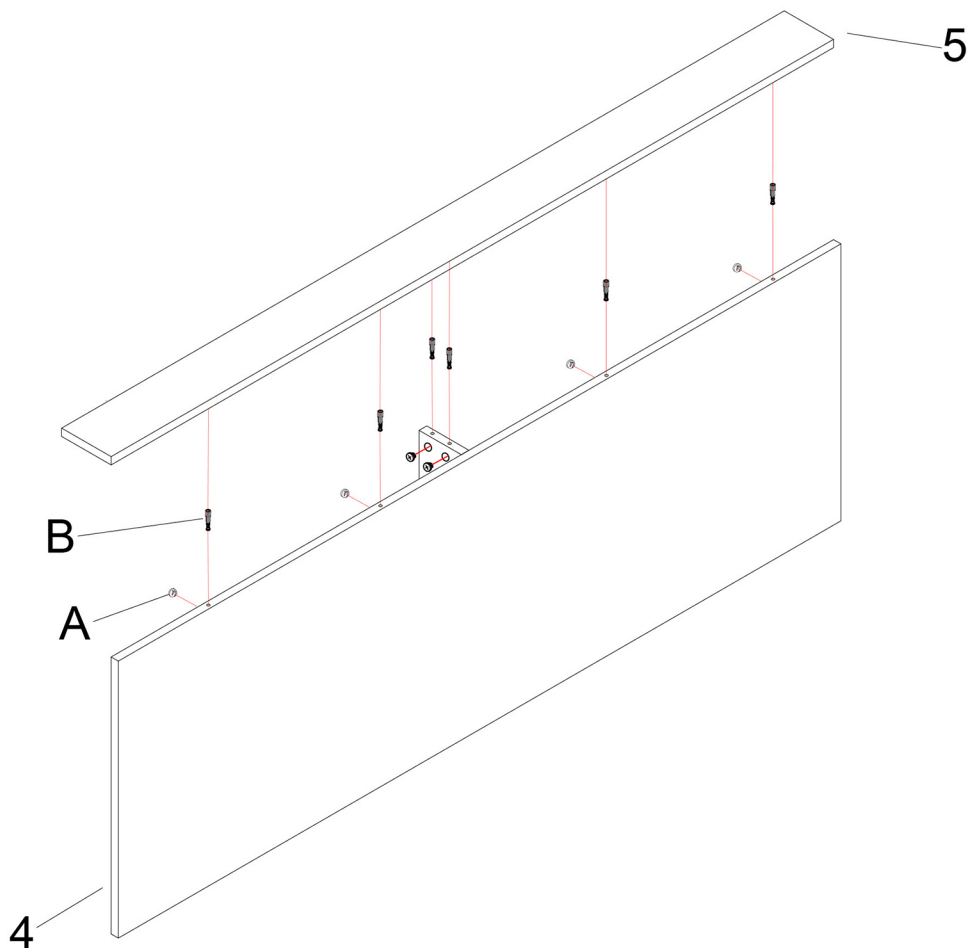
B  x2



# Step 2

A  x6

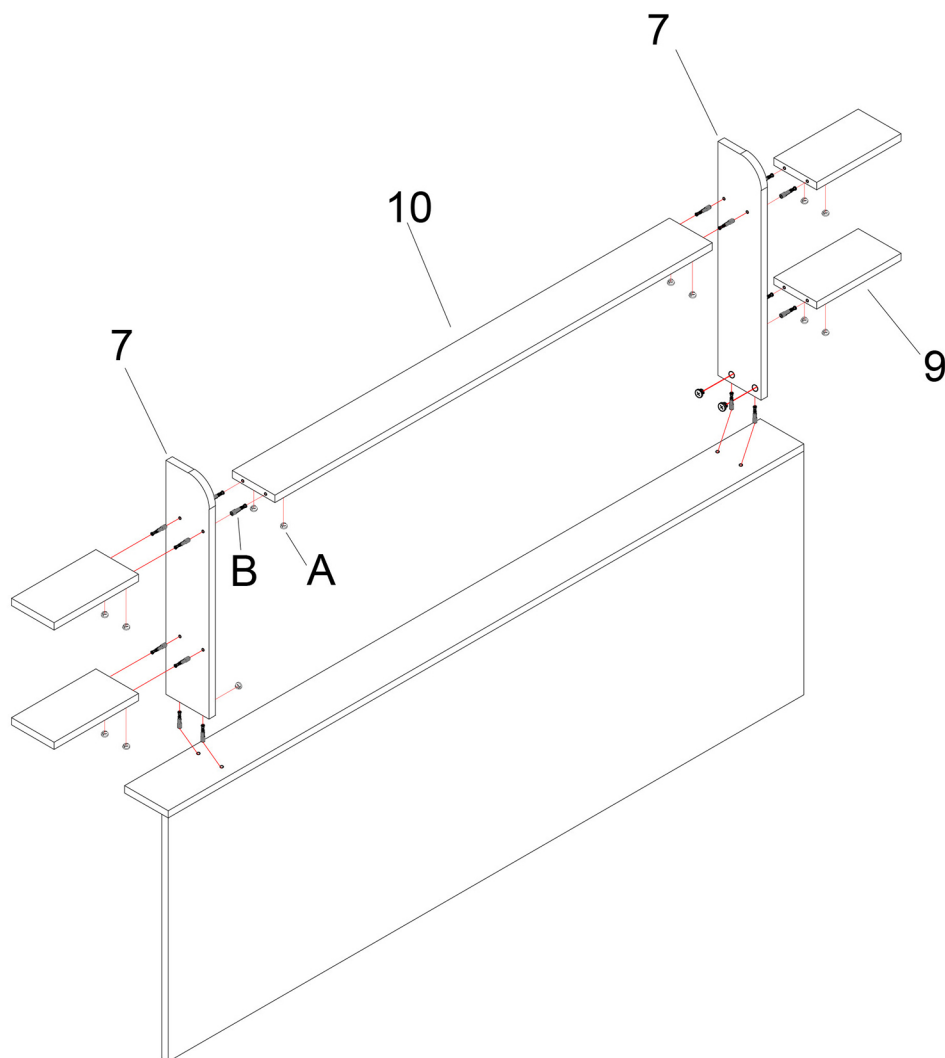
B  x6



### Step 3

A  x16

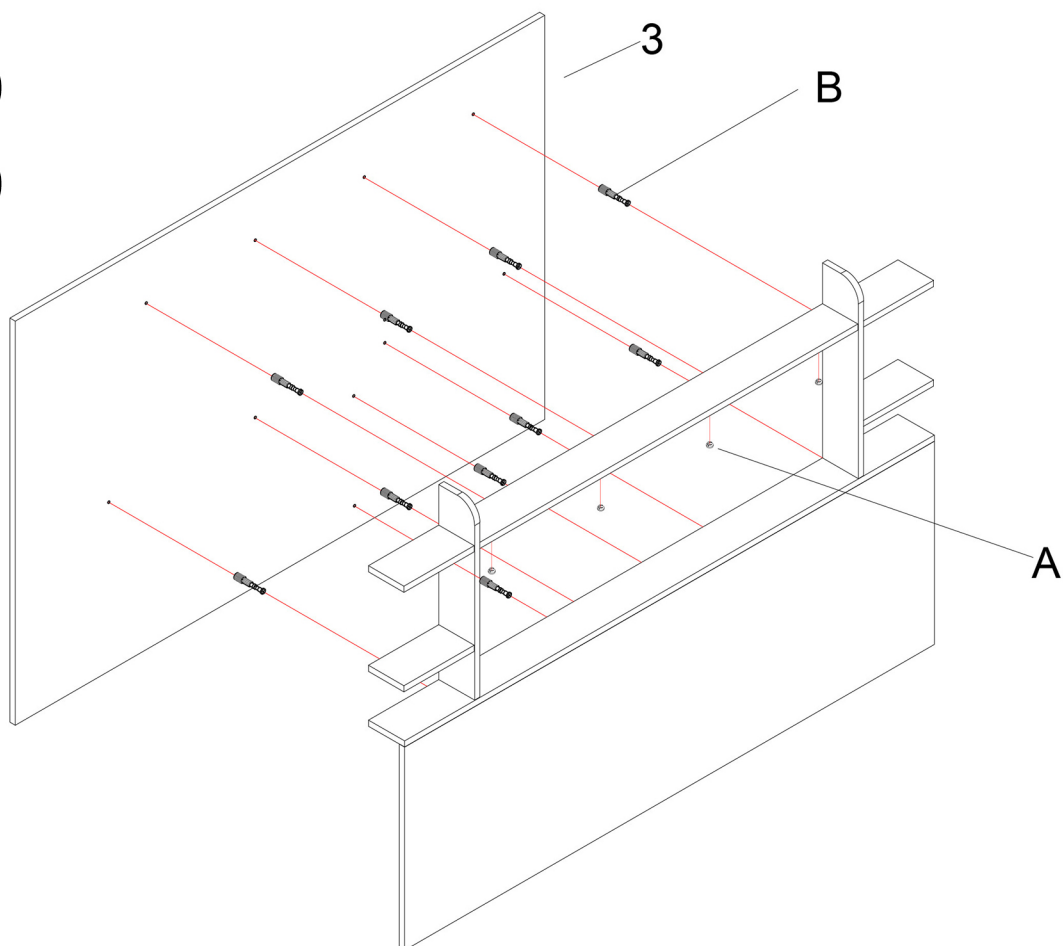
B  x16



### Step 4

A  x10

B  x10

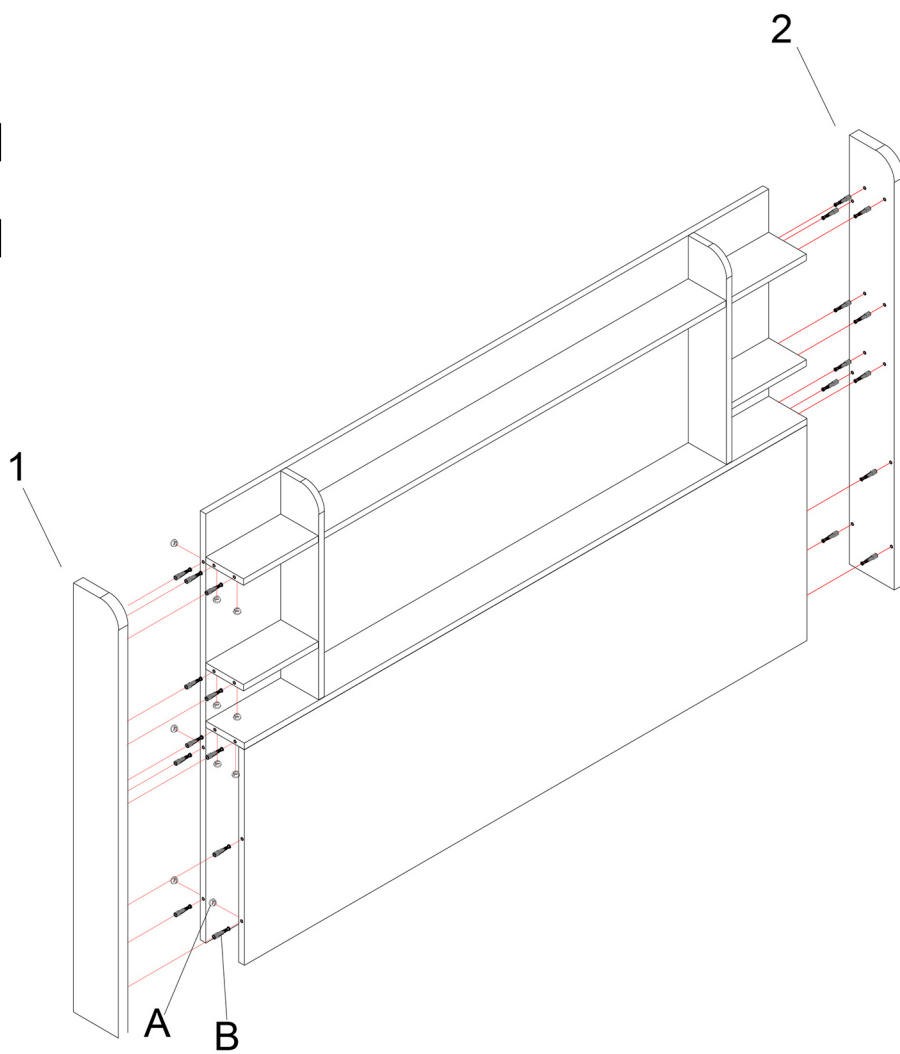


## Step 5

P.5/13

A  x11

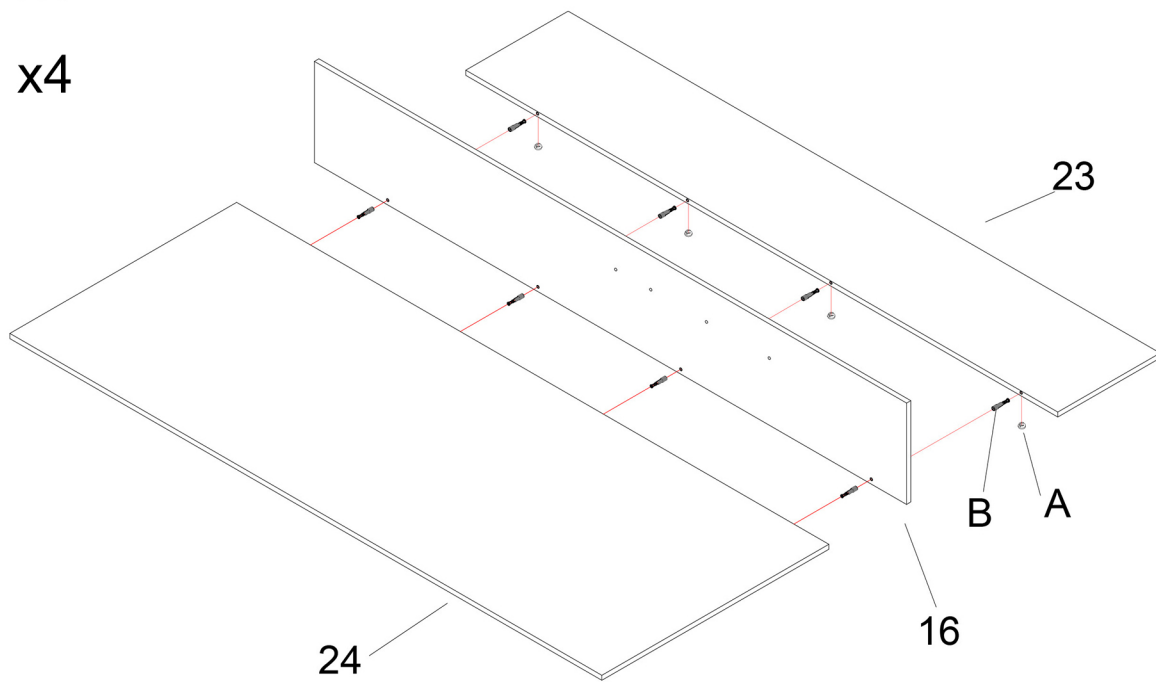
B  x11



## Step 6

A  x4

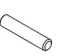
B  x4

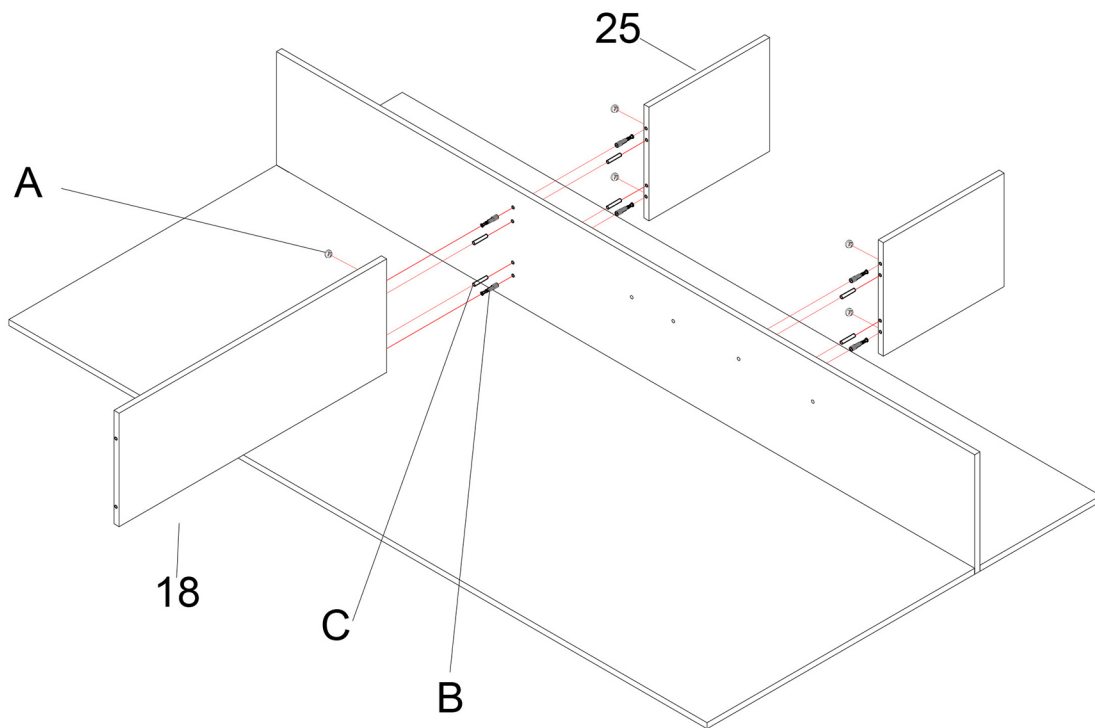


# Step 7

A  x6

B  x6

C  x6

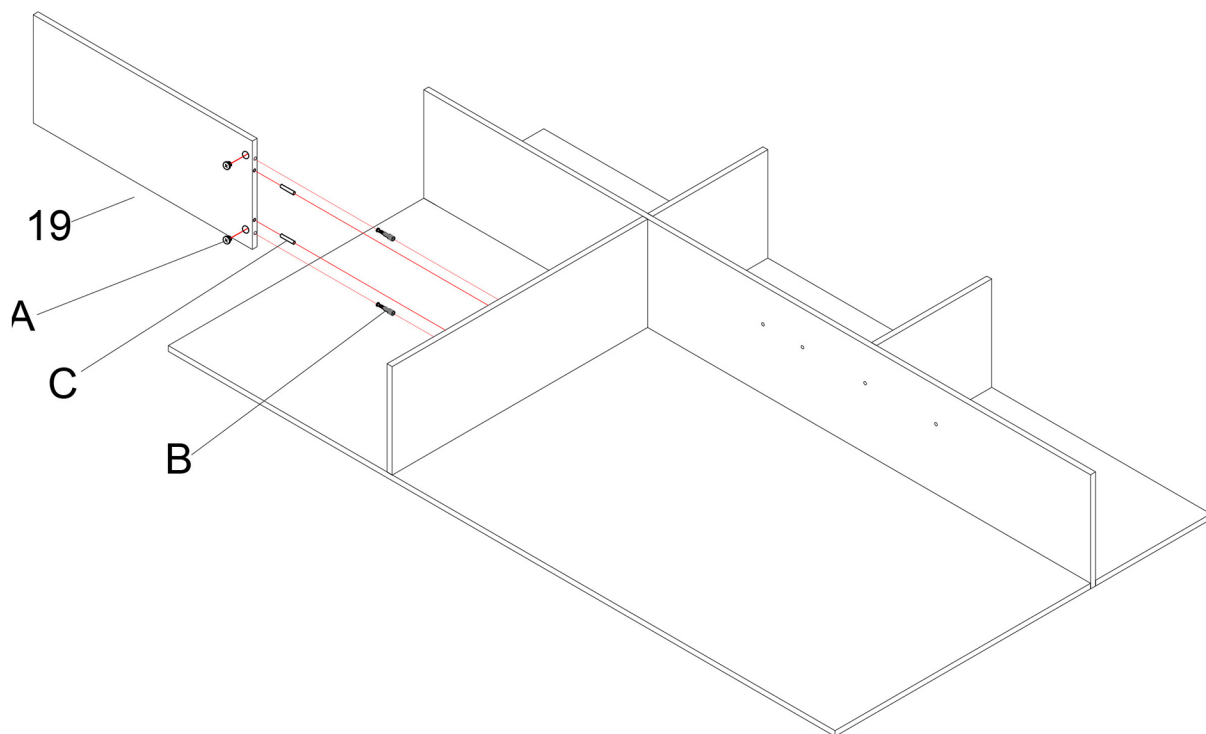


# Step 8

A  x6

B  x6

C  x6



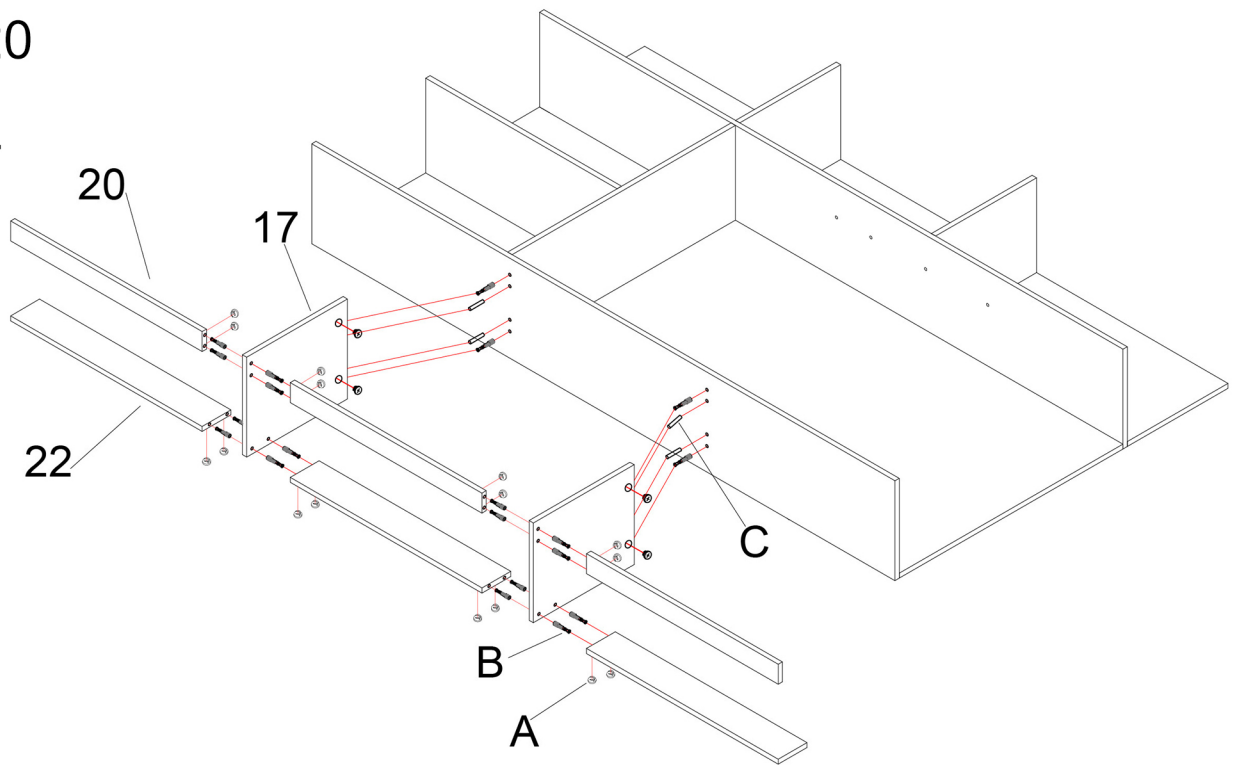
## Step 9

P.7/13

A  x20

B  x20

C  x4

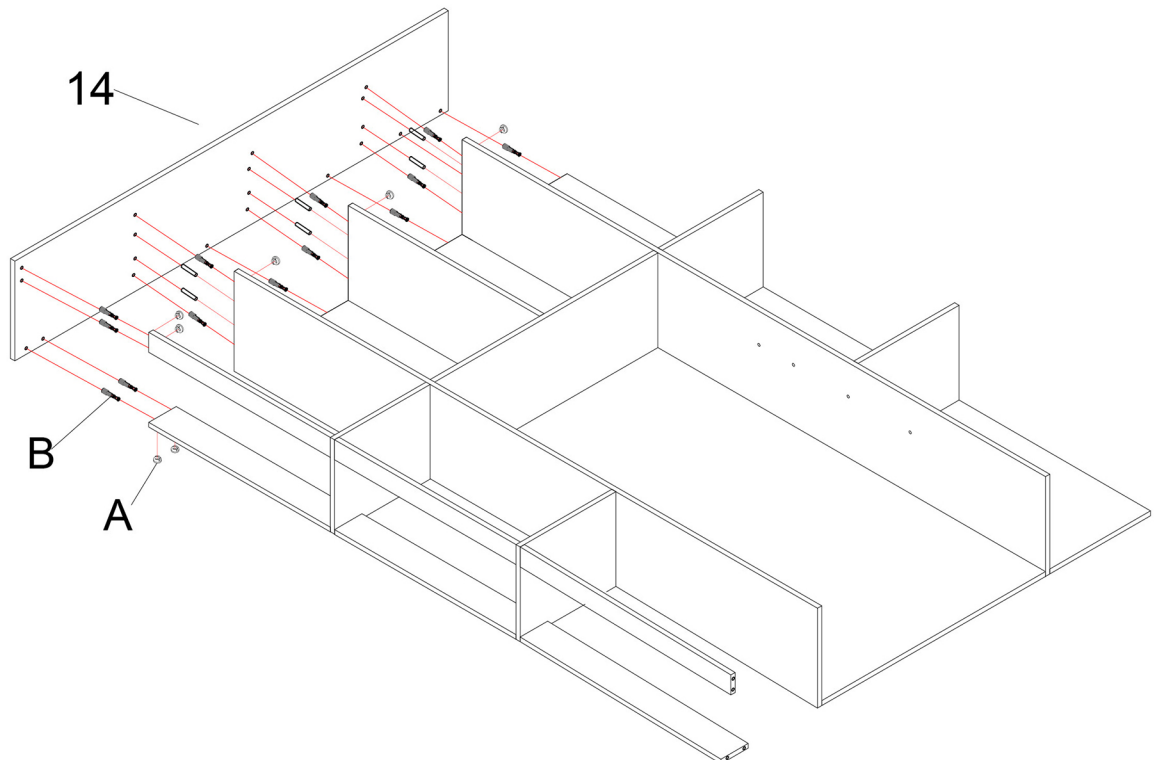


## Step 10

A  x14

B  x14

C  x4



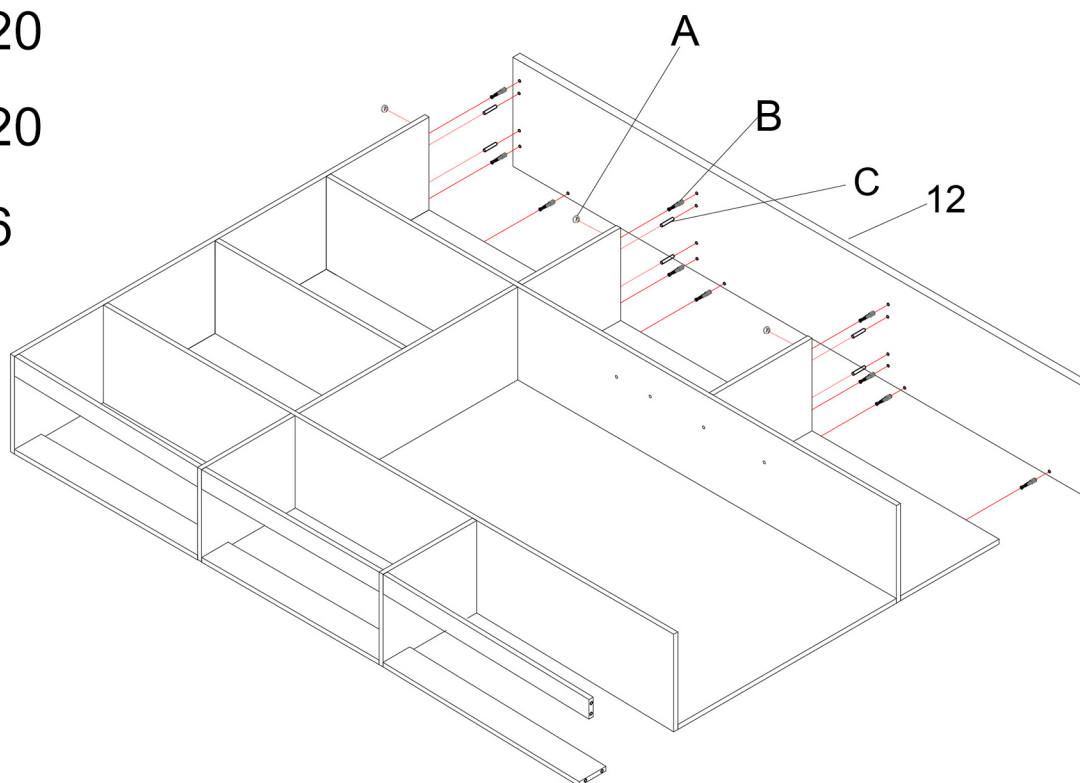
## Step 11

P.8/13

A  x20

B  x20

C  x6



## Step 12

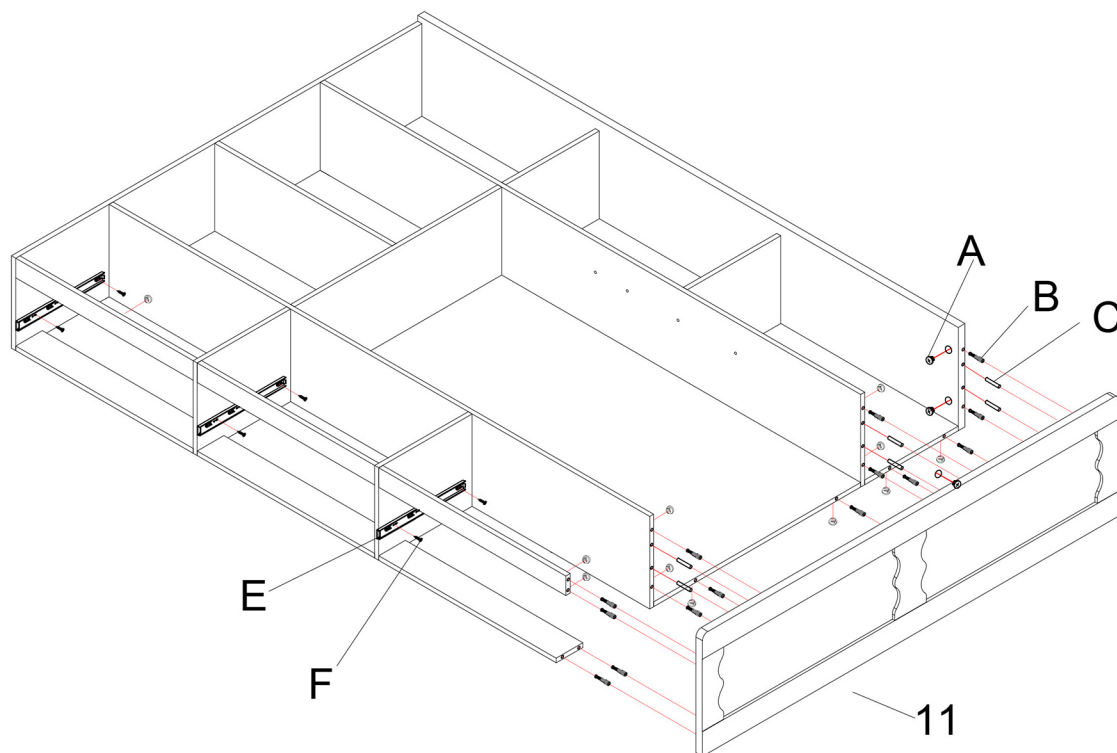
A  x14

B  x14

C  x6

E  x3

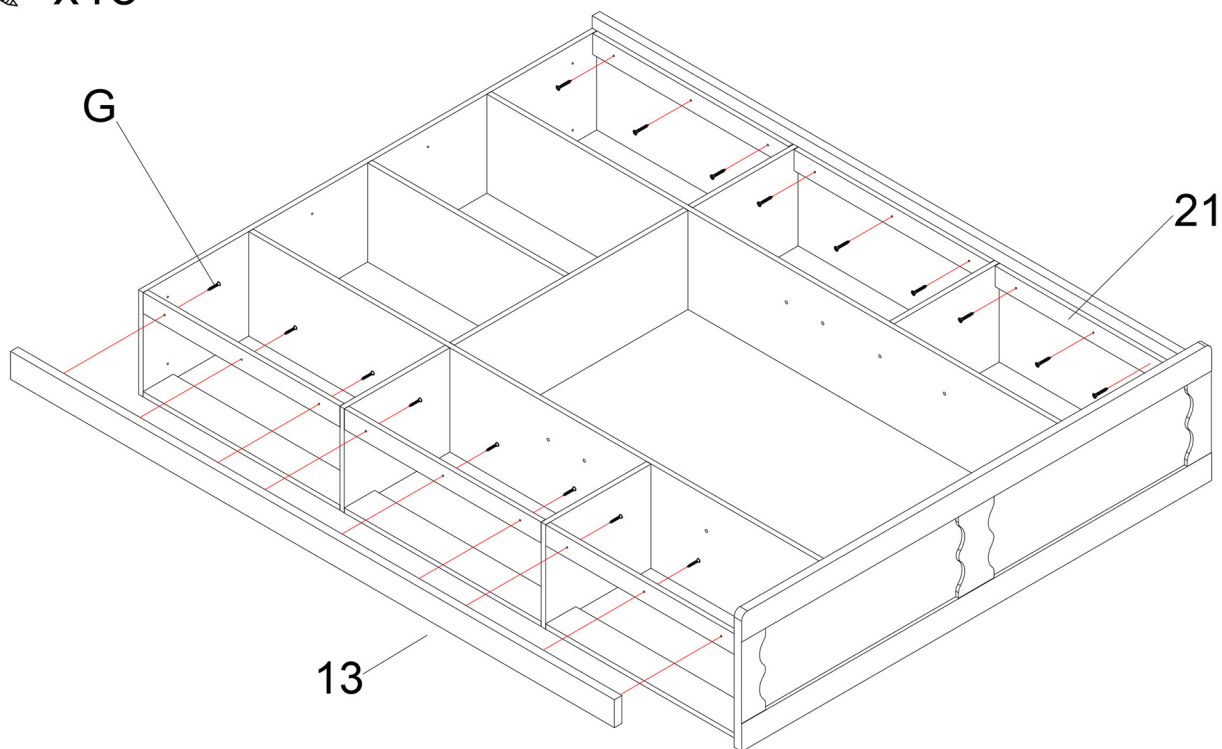
F  x12





# Step 13

G  x18



# Step 14

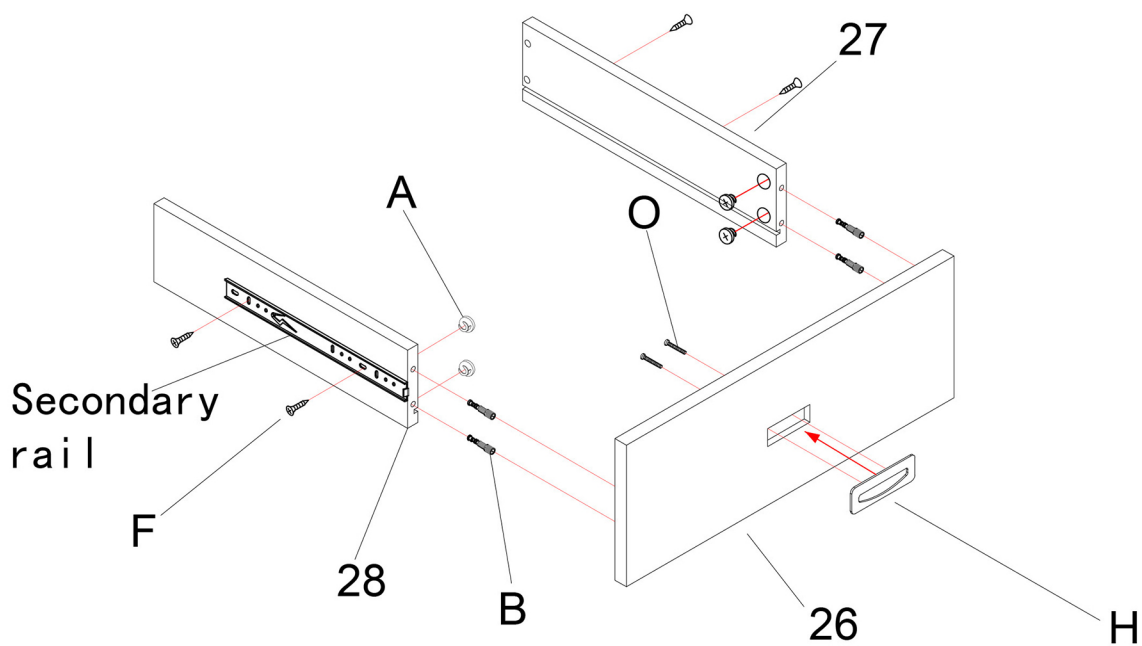
A  x12

B  x12

F  x12

H  x3

O  x6

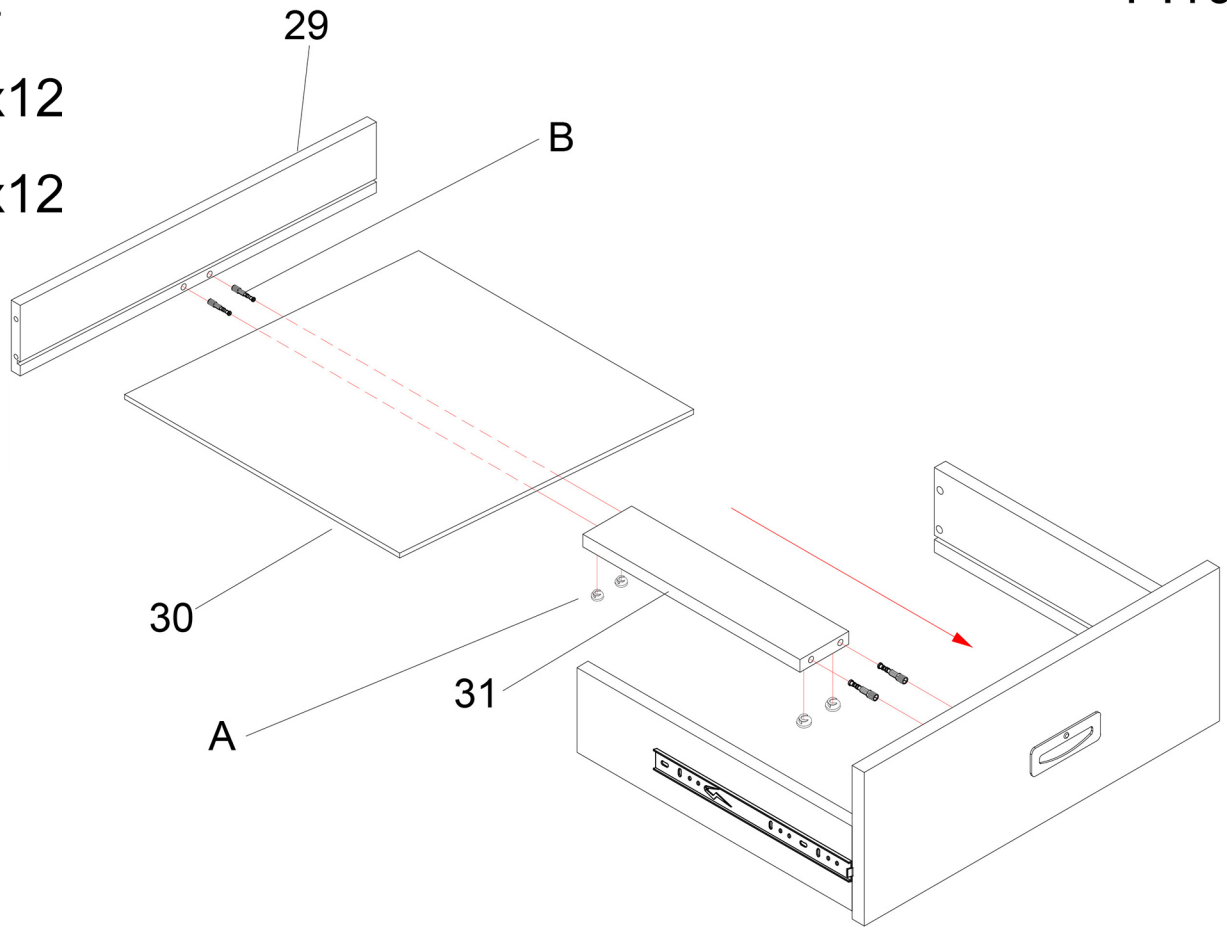


## Step 15

P.10/13

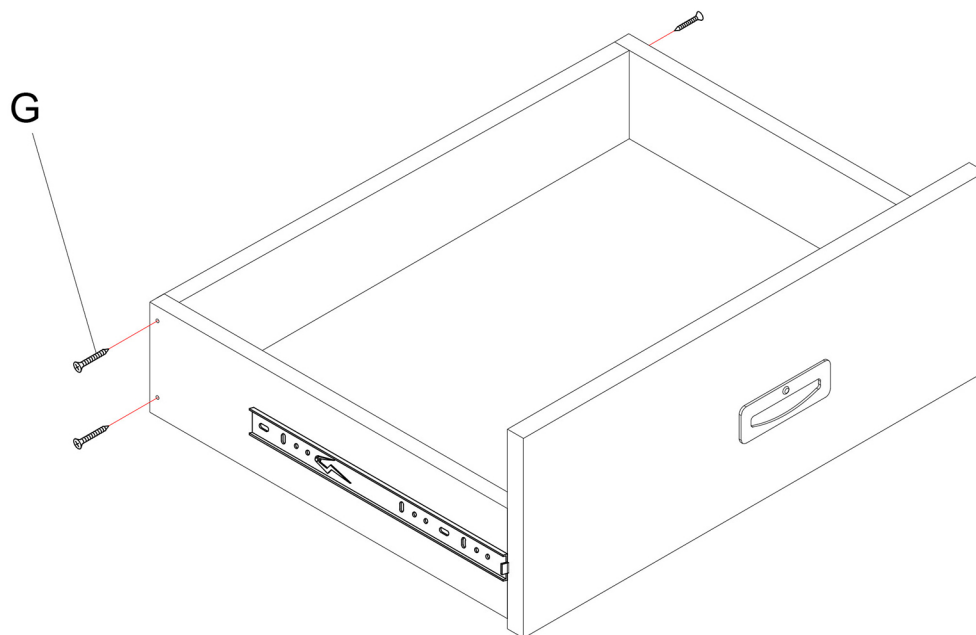
A  x12

B  x12



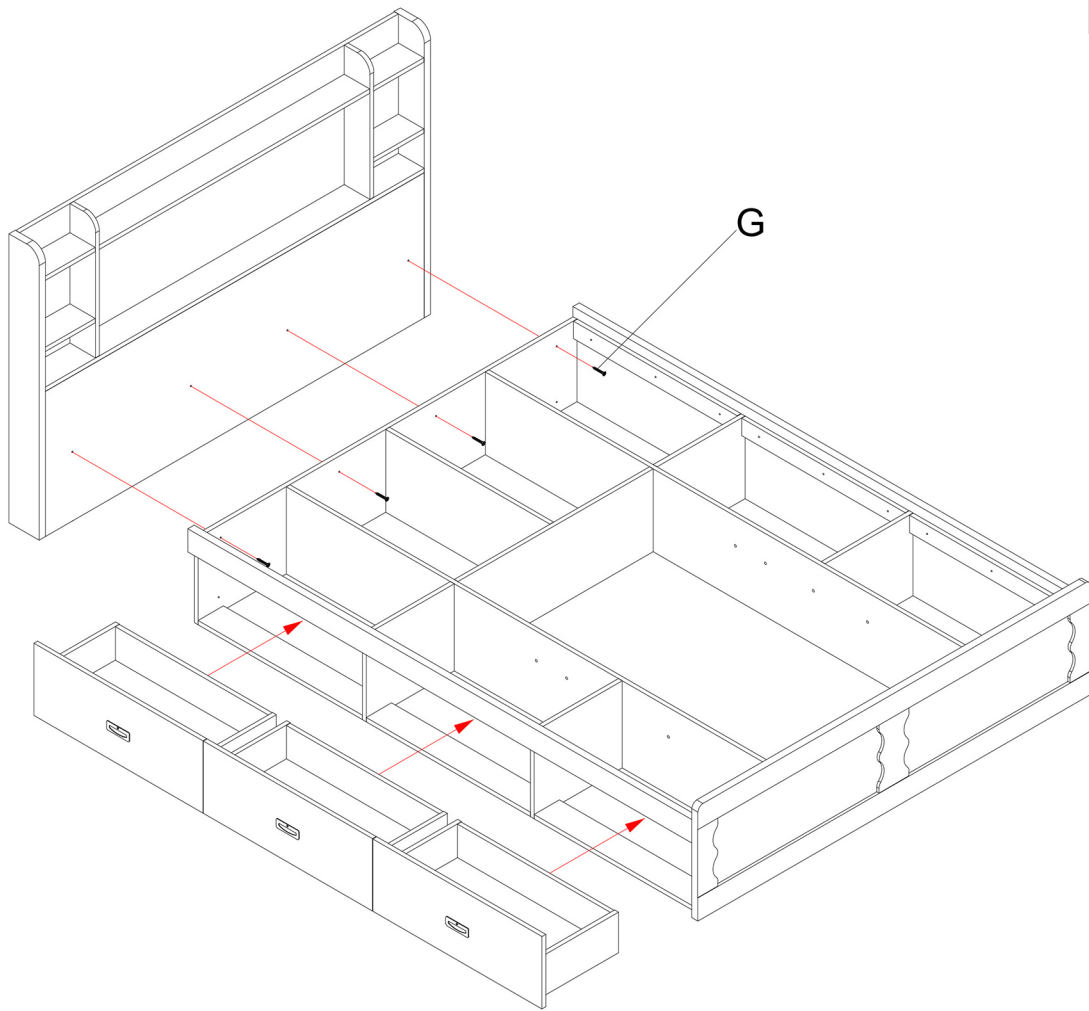
## Step 16

G  x12



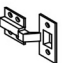
# Step 17

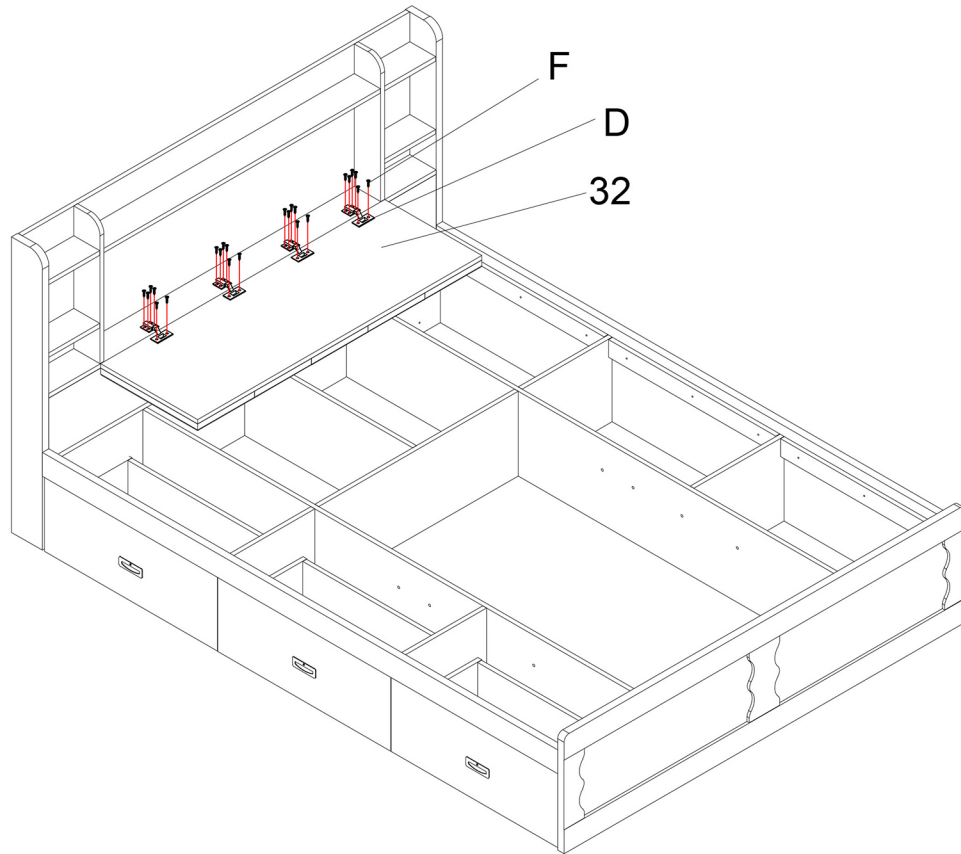
G  x4






# Step 18

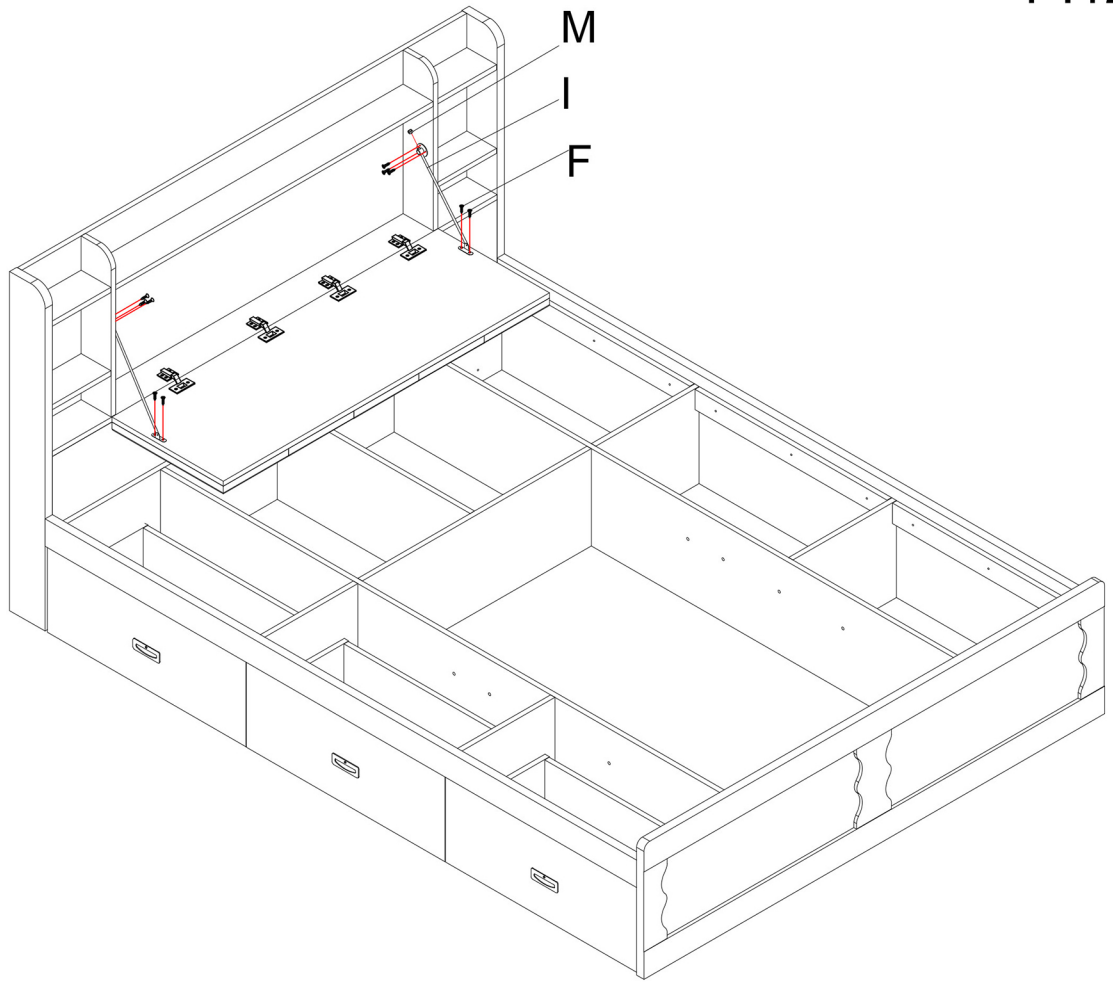
F  x24

D  x4

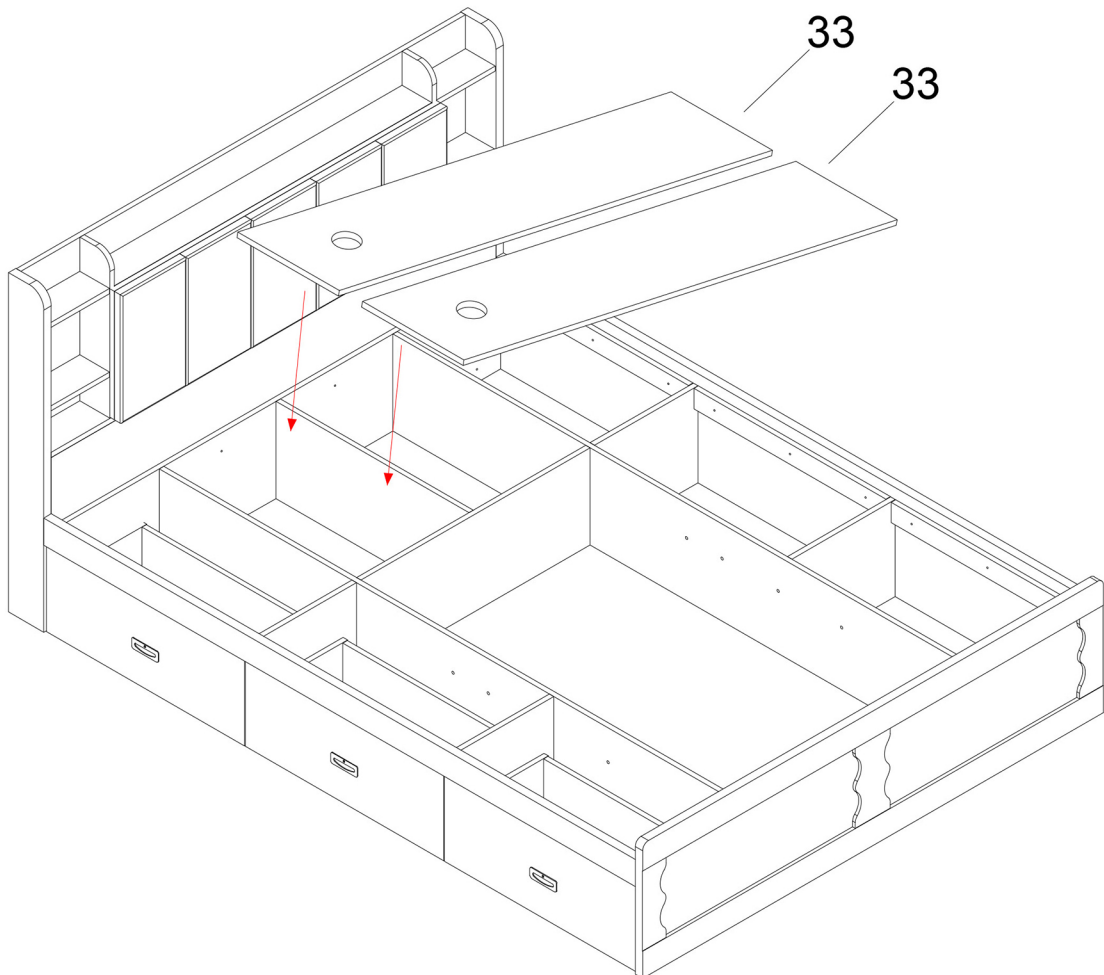


# Step 19

- F  x10
- I  x2
- M1  x2



# Step 20



## Step 21

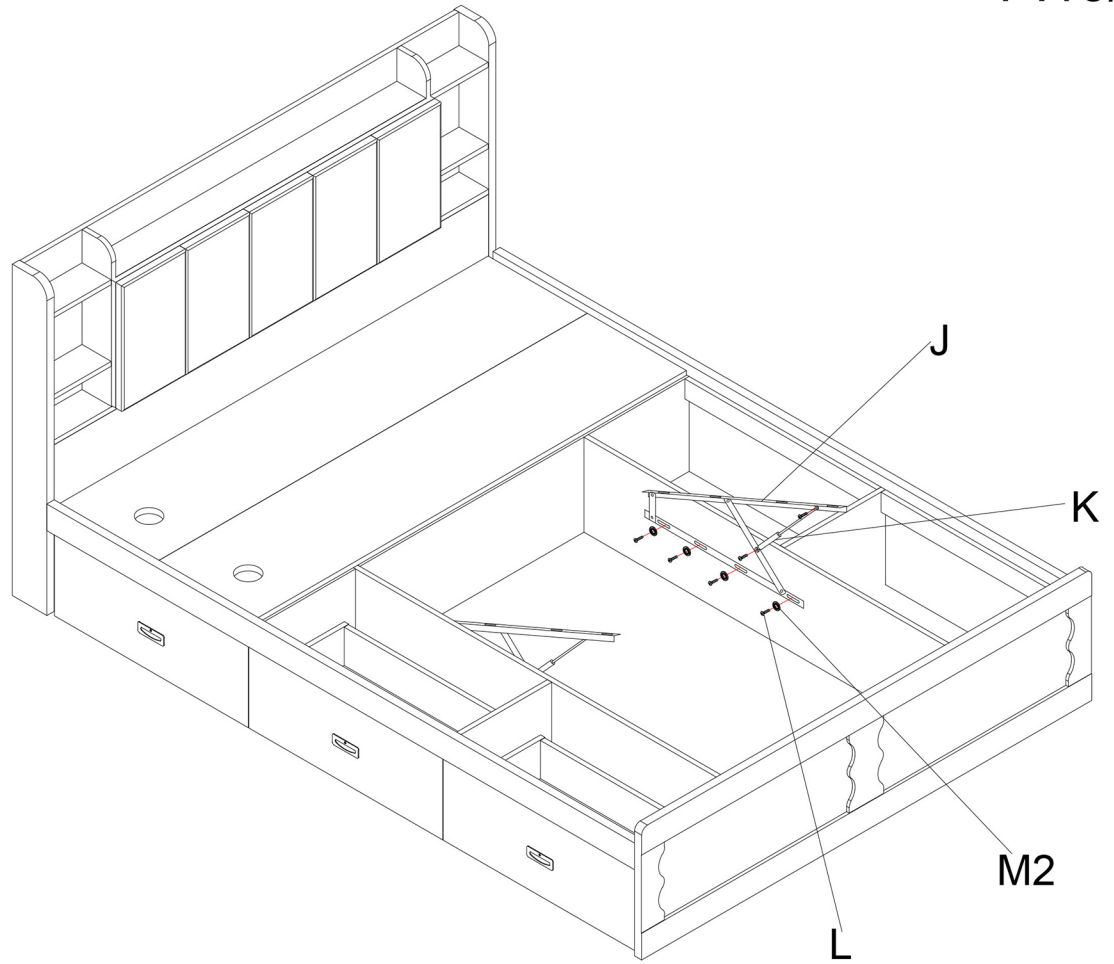
P.13/13

J  x2

K  x2

L  x12

M2  x8



## Step 22

L  x8

M2  x8

