

Manual Installation

Model Number :J04YSG0000 | 0



Bathroom Cabinet Installation

SKU:J04YSG000010

INSTALLATION MANUAL Tools You Will Need:



Electric Drill

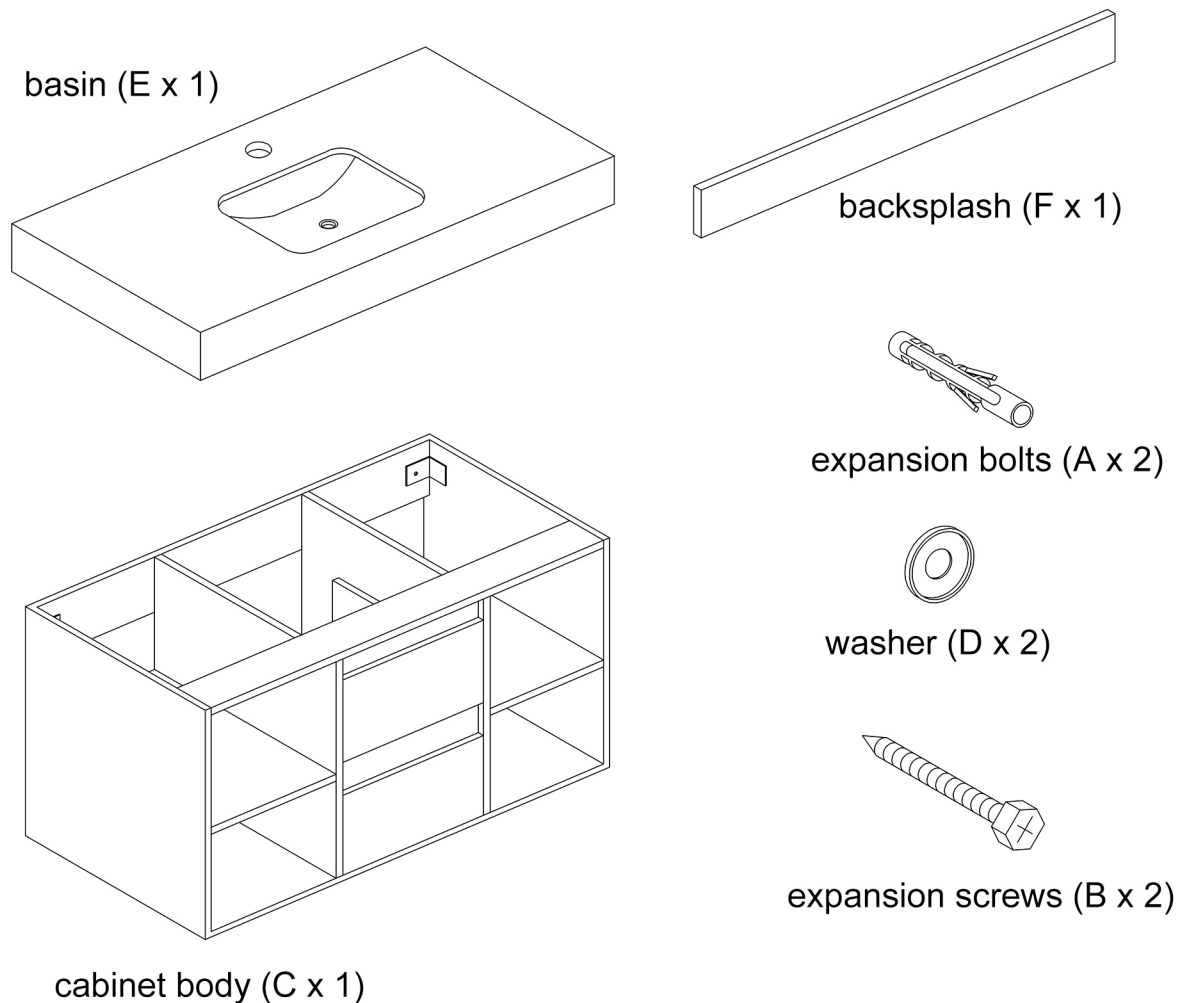
Before the Installation

1. Do not throw away packing materials until assembly is complete for small parts may come loose inside the carton during shipment. If parts are missing, please contact us.
2. Assemble this item on a soft surface, such as carpet to protect the finish.
3. Proper assembly of this item requires 2 people.
4. Periodically check to ensure that all connections are tight.
5. It is recommended that installation of the product be done by a qualified licensed plumber.

Care and Cleaning

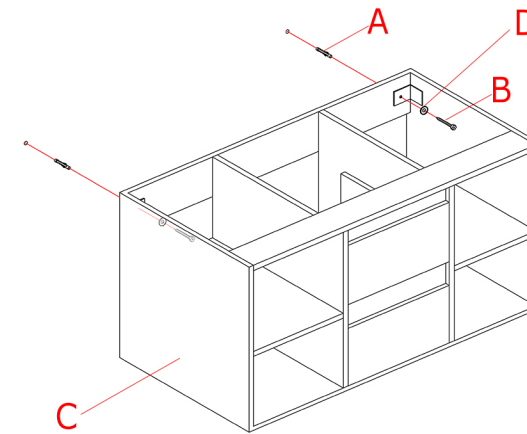
1. To protect the finish, avoid use chemicals and household cleaners.
2. All hot serving dishes should be placed on a pad.
3. Any liquid spilled onto the top should be cleaned up immediately with a damp cloth.

Parts List

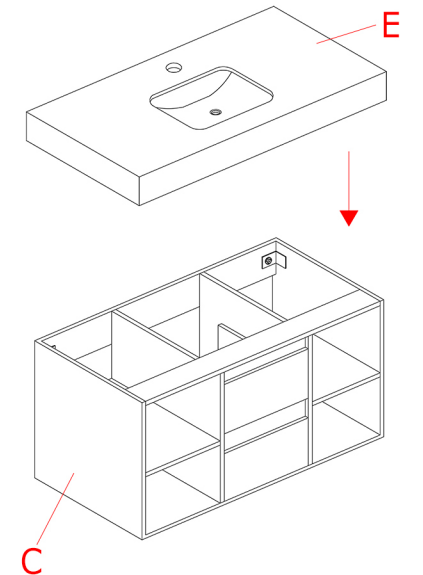


Note: Do not fully tighten all bolts until all parts are in place. Failure to follow these instructions may cause the bolt to misalign during assembly.

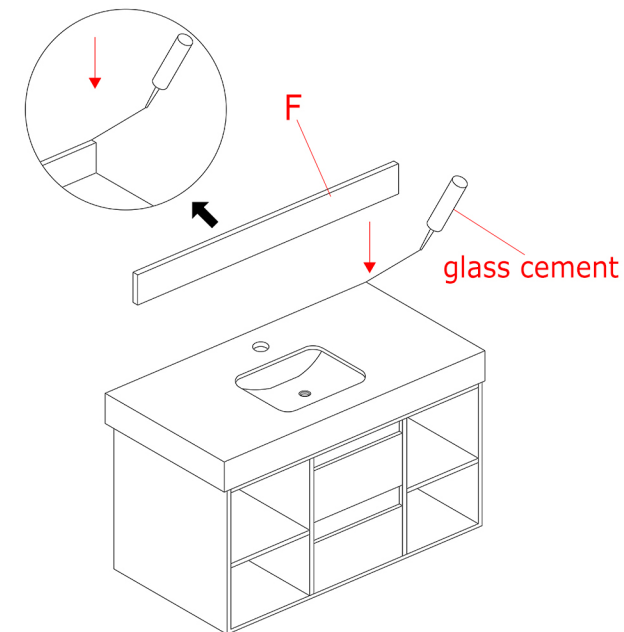
Installation Guide



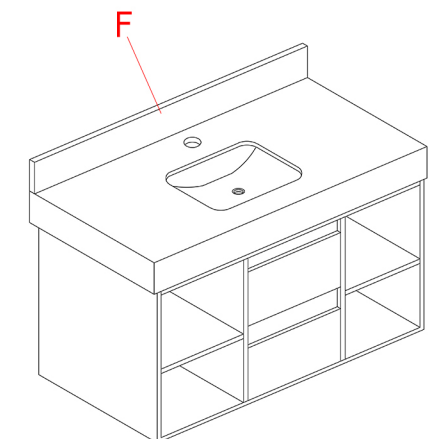
1. Put the cabinet body (C) to the wall and adjust the body to make sure that it is straight and level. According to the holes on the hinges at the corners of the body, mark and drill holes on the wall. Suit the expansion bolts (A) into the drilled holes and tighten the expansion screws (B) and washers (D) through the holes on the hinges into the bolts in the wall.



2. Put the basin (E) onto the top of the cabinet body (C).



3. Apply glass cement to the countertop and to the back of the backsplash (F).



4. Then, rest the backsplash (F) onto the countertop against the wall securely.