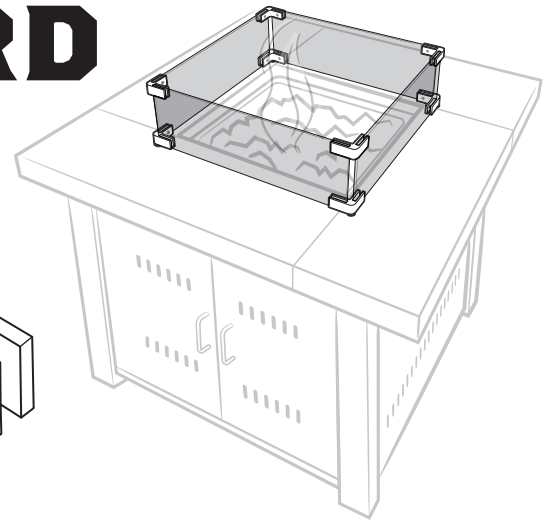




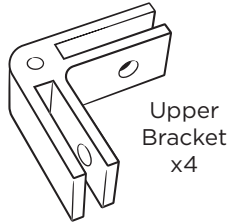
Georgian Bay Grills

Model: GBG-FTABWINDGD

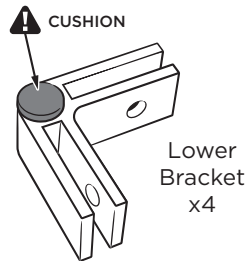
# WIND GUARD FOR FIRE TABLE



## PARTS LIST (Not to scale)



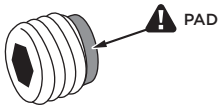
Upper Bracket  
x4



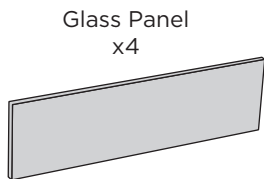
Lower Bracket  
x4



Hex Key



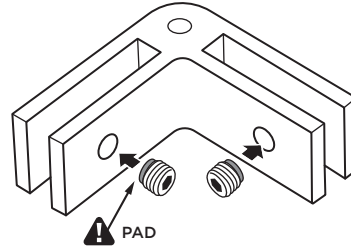
Set Screw  
x16



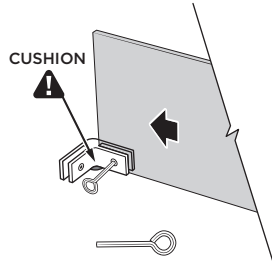
Glass Panel  
x4

## ASSEMBLY

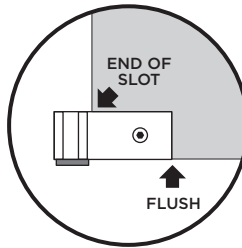
1. Start the set screws, pad first, into the holes on all the brackets. Insert only halfway.



PAD



CUSHION

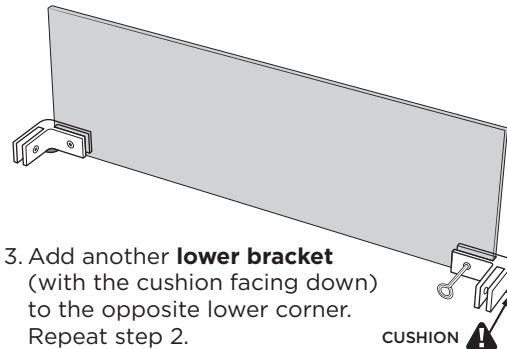


END OF SLOT

FLUSH

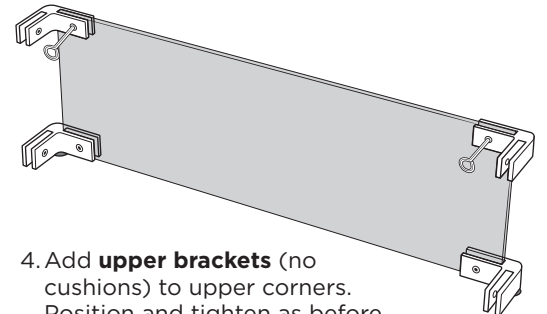
2. Slide a glass panel into a **lower bracket** (with the cushion facing down). The bottom of the glass should be flush with the bottom edge of the bracket. Insert the edge of the glass to the end of the slot in the bracket. Tighten the set screw with the hex key until snug only.

**DO NOT OVERTIGHTEN!**

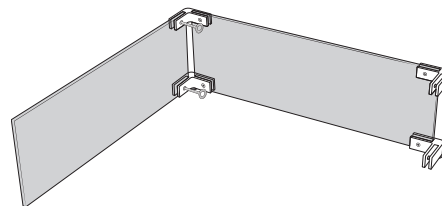


3. Add another **lower bracket** (with the cushion facing down) to the opposite lower corner. Repeat step 2.

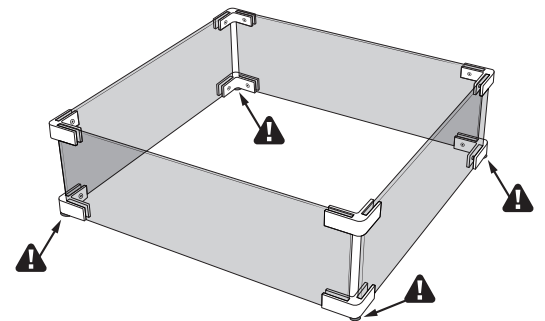
CUSHION



4. Add **upper brackets** (no cushions) to upper corners. Position and tighten as before.



5. Add another glass panel perpendicular to the first one. Position and tighten as before.



6. Continue adding brackets and glass panels until complete. Observe correct position of **lower brackets** so that cushions face down. Place on Fire Table with cushions facing down.

## CAUTION

Allow wind guard to completely cool before moving.  
Ensure all set screws are snug before moving.  
Handle with care: Twisting may cause glass to break.



Georgian Bay Grills is a division of  
Georgian Bay Leisure Distributors Ltd.  
252 King Street, Unit 4  
Barrie, Ontario, Canada  
[www.georgianbayleisure.com](http://www.georgianbayleisure.com)