



Georgian Bay Grills

PROPANE PATIO HEATER

WITH VIEWABLE FLAME

Thank you for purchasing Georgian Bay Grills' Propane Patio Heater with viewable flame. It will provide you with year-round outdoor enjoyment, beauty and comfort — sure to become the centerpiece of your outdoor entertainment space!

! WARNING

As with any gas appliance, care and caution must be used at all times.

For the safety of you and your property, please read, understand and follow all installation, operation, and maintenance instructions thoroughly before installing or servicing this appliance.

Do not modify this appliance in any way or use it for purposes other than intended. Improper installation, adjustment, alteration, service or maintenance can cause property damage, personal injury or death.

Failure to heed all instructions, warnings, precautions and safety measures herein may result in fire, explosion, burns, asphyxiation, and/or carbon monoxide poisoning leading to property damage, personal injury, or death.

Please retain this manual for future reference.

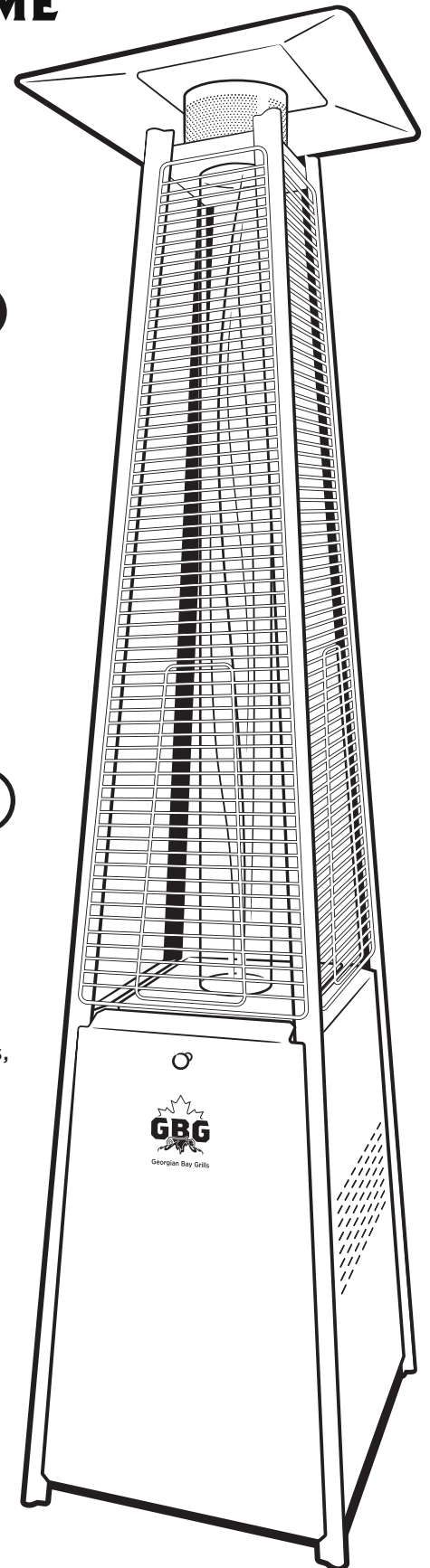
THIS PRODUCT IS FOR OUTDOOR USE ONLY

CARBON MONOXIDE HAZARD: All combustion appliances, like this one, can produce carbon monoxide (CO) during operation. This appliance is designed to limit CO to extremely minute, non-hazardous levels when used and maintained properly.

CO is an invisible, odourless, tasteless gas. Without your being aware, it can quickly render you unconscious and then kill you.

CO poisoning produces flu-like symptoms: watery eyes, headaches, dizziness, and fatigue. If these symptoms are present during operation of this appliance, get fresh air immediately!

Never use this appliance in an enclosed space, such as a camper, tent, car, RV, boat, or home.



CSA/ANSI Z83.26:20 • CSA 2.37:20
Gas-fired outdoor infrared patio heaters



SAFETY INFORMATION

This manual contains important information about the assembly, operation and maintenance of this appliance, along with general safety. Keep this manual for future reference and to educate new users of this appliance. This manual should be read in conjunction with the labeling on the appliance itself.

Safety precautions are essential when using, storing, and servicing propane-fueled equipment. Using this appliance with the respect and caution required will reduce the possibilities of personal injury or property damage.

Installation of this appliance at altitudes above 2000 ft (610 m) shall be in accordance with local codes, or in the absence of local codes, ANSI Z223.1/NFPA 54 or CSA B149.1.

INSTALLATION:

During operation, this appliance can be a source of ignition. Keep all combustibles (such as building materials, paper, cardboard, clothing, etc.) away from this appliance. Minimum clearance: 36" (92 cm) from the sides and top.

Install this appliance only on a firm, level, noncombustible surface, such as patio stones.

OPERATION:

Do not obstruct air openings in the appliance and ensure adequate fresh air for proper operation.

Do not store or use volatile or airborne combustibles, such as gasoline, solvents, paint thinner, unknown chemicals, or other flammable liquids, near this appliance.

Do not use this appliance in areas with high dust content or high winds.

Do not move this appliance while in operation or while still hot. Completely close the gas supply at the tank before moving. For greater safety when moving, remove the tank and glass tube.

Never leave this appliance unattended when in use or while still hot.

When not in use, shut off the gas supply by completely closing the valve on the tank.

Appliance surfaces will be HOT during operation and will remain so for some time after shutdown. Alert all persons to stay clear to avoid burns or igniting clothing.

Keep out of reach of children. Carefully supervise children when in the vicinity of this appliance.

Do not operate without the glass tube and protective guards properly in place.

Use the supplied, approved gas hose/regulator only.

Check all parts for damage before each use. Do not operate the appliance with damaged components. Check the regulator hose frequently for splits, cracking or other damage. Replace, if necessary, with the same length and specification part. Repairs should only be performed by qualified professionals.

Keep all connections, fittings, tank valve outlet, control compartment, burners, and air passages of the appliance clean and unobstructed.

Do not use any accessories other than described herein.

This appliance is intended for residential use only.

USING PROPANE:

Only use propane to fuel this appliance. Use a standard, certified 20lb propane tank only. Secure the tank inside the cabinet with the strap.

Do not store spare tanks near this appliance. Instead, store tanks outdoors in a well ventilated space out of reach of children. Never store tanks in enclosed areas or near high heat, open flames, pilot lights, direct sunlight, other ignition sources, or where temperatures exceed 120°F (49°C).

Check with your local fire safety authority for local standards governing the use of fuel gases and heat-producing appliances. In the absence of local codes, follow ANS Z223.1 or CAN/CGA-B 149.2.

Never install or remove the tank while this appliance is operating and/or still hot.

May contain small parts, including batteries, that may present a choking hazard to children.

Propane vapours are heavier than air and can accumulate in low places. If you smell gas, often described as "rotten eggs": Shut off the gas to the appliance. Extinguish any open flame. If odour persists, keep away from the appliance and call your gas supplier or fire department.

Combustion by-products produced when using this appliance contain chemicals known to the State of California to cause cancer, birth defects, and other reproductive harm.

LEAK TESTING:

During set up, when installing a fresh propane tank, whenever connections are loosened or removed, and on a routine basis, you must perform a leak test. Use a solution of one part liquid soap and one part water. Apply the solution (with a spray bottle, brush, or rag) to all connections and fittings (at the tank and at the burner assembly). Ensure the control knob is in the OFF position. Open the tank valve only and observe: A stream of growing bubbles indicates a leak. Close the tank valve and tighten or reconnect fittings. Test again.

Never use a flame to check for leaks. Never operate the appliance without performing a leak test and ensuring there are no leaks. Never operate the appliance if you smell gas.

APPLIANCE STORAGE:

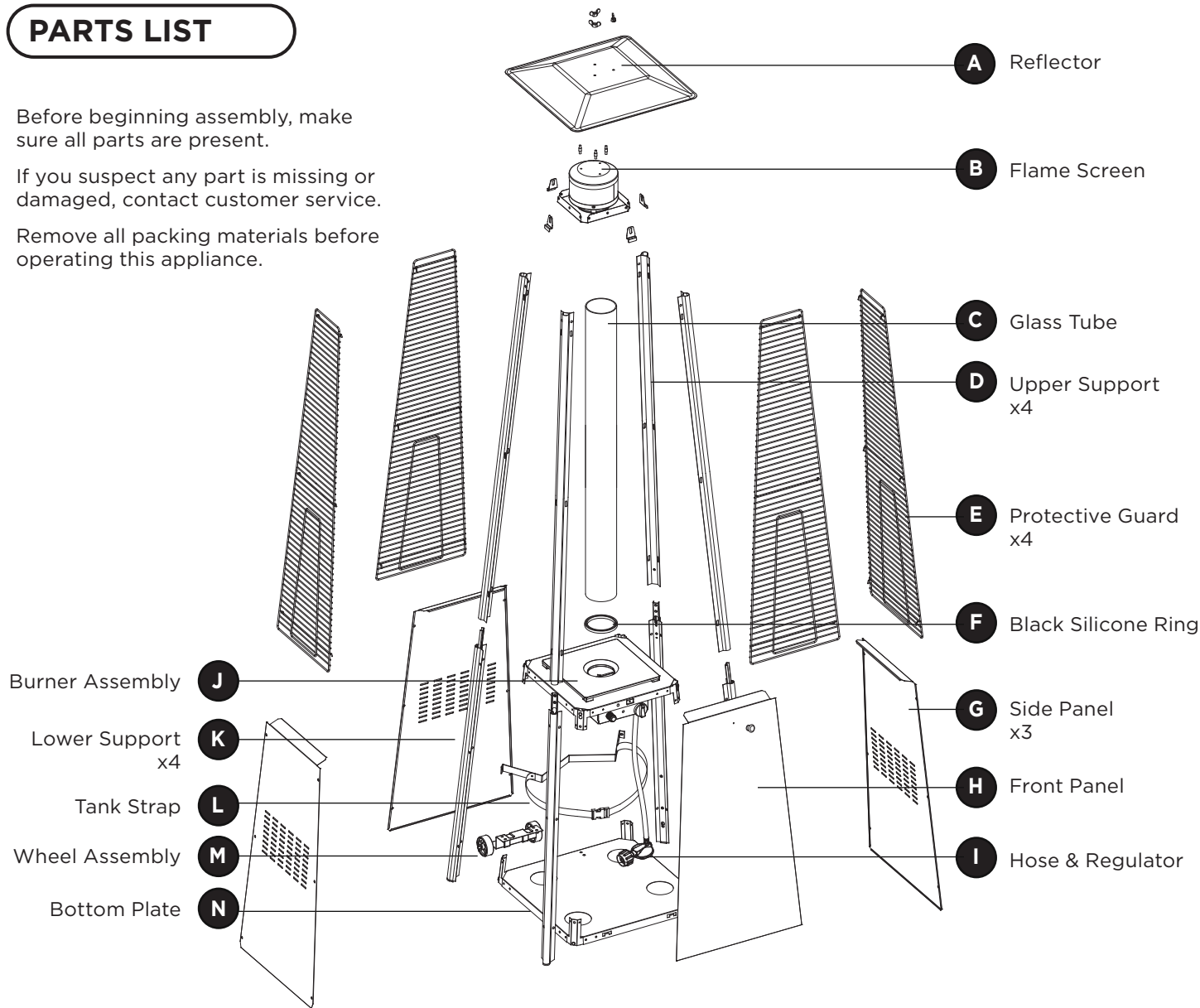
When storing this appliance indoors, disconnect the propane tank for outdoor storage as described above. Disconnect gas line and cap ends.

PARTS LIST

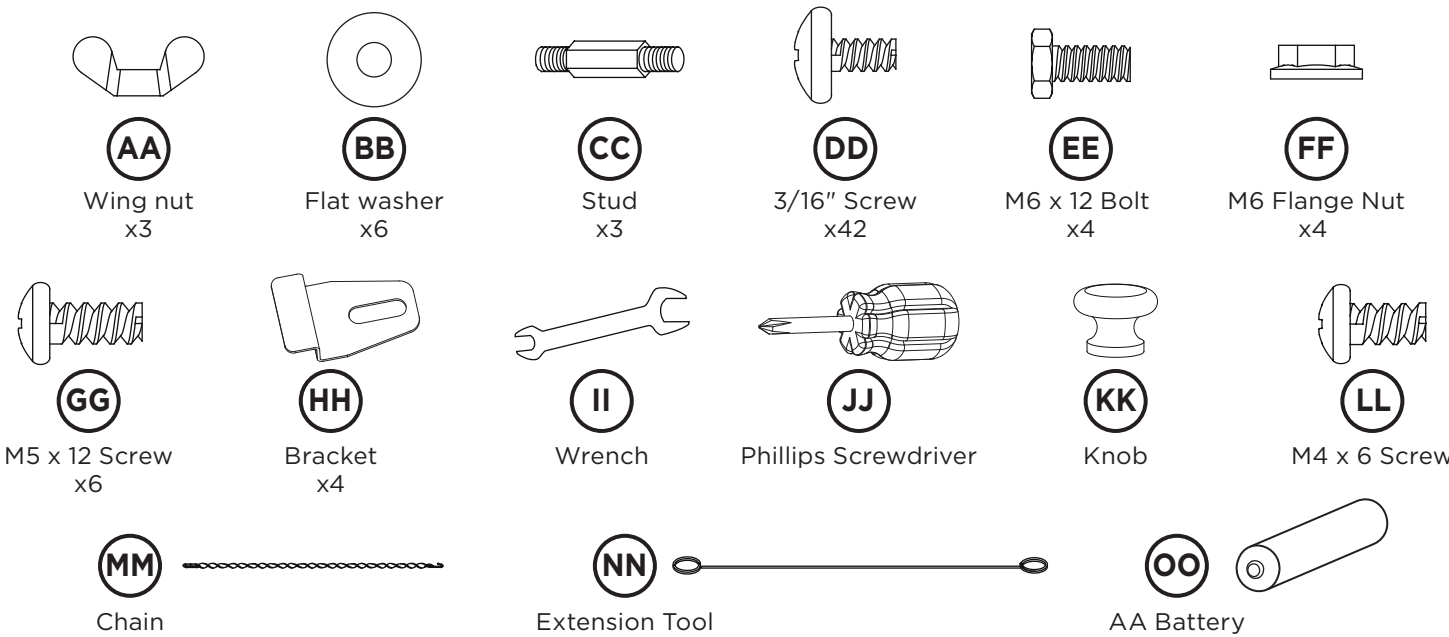
Before beginning assembly, make sure all parts are present.

If you suspect any part is missing or damaged, contact customer service.

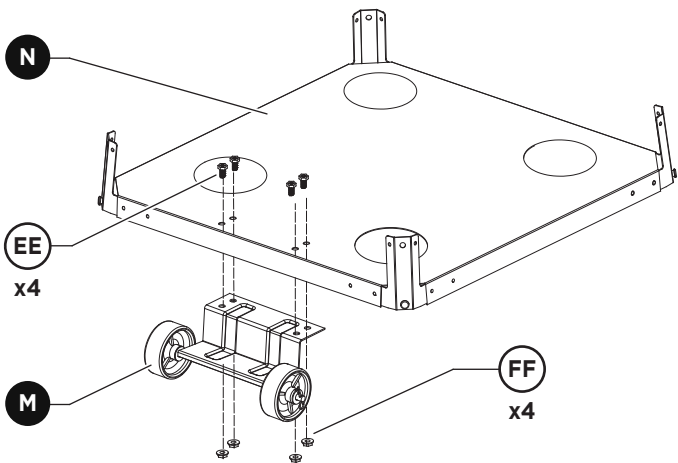
Remove all packing materials before operating this appliance.



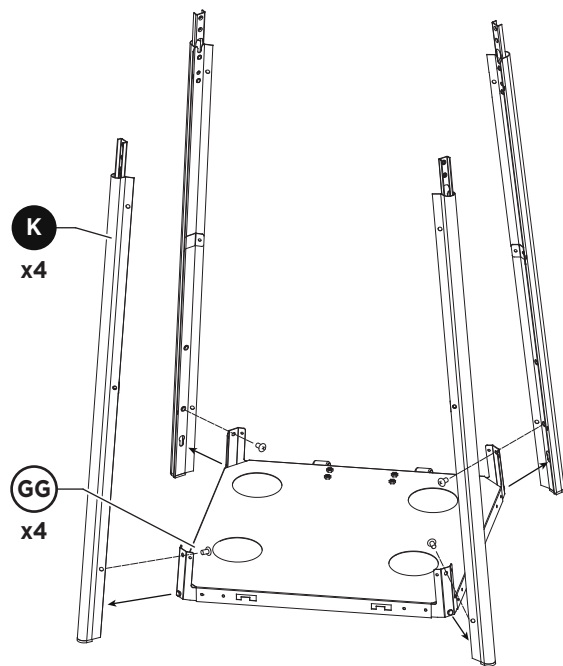
HARDWARE LIST



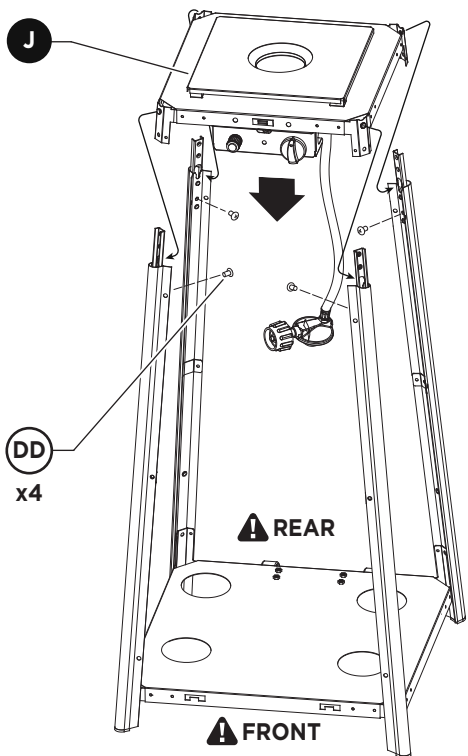
ASSEMBLY



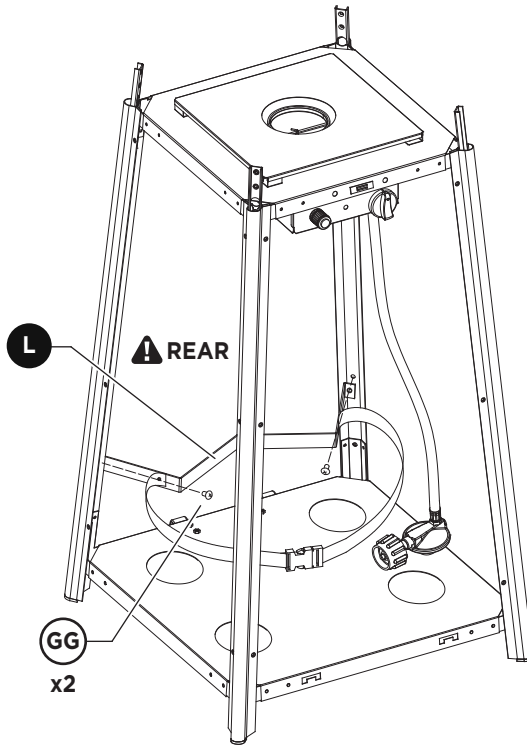
1. Attach the wheel assembly to the bottom plate using the hardware shown.



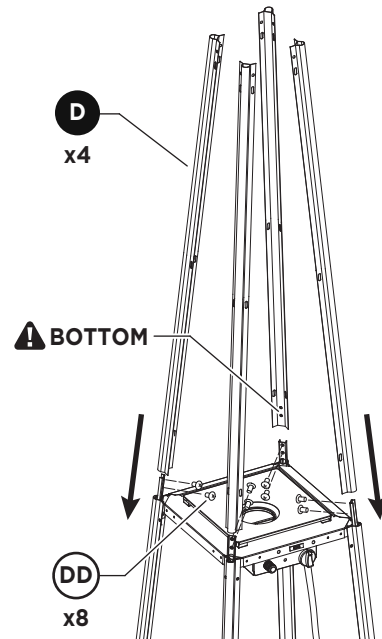
2. Insert the peg on the bottom plate into the keyhole of the lower support. Push the bottom plate down to seat peg in the bottom of the keyhole. Secure with hardware as shown. Repeat for all four corners.



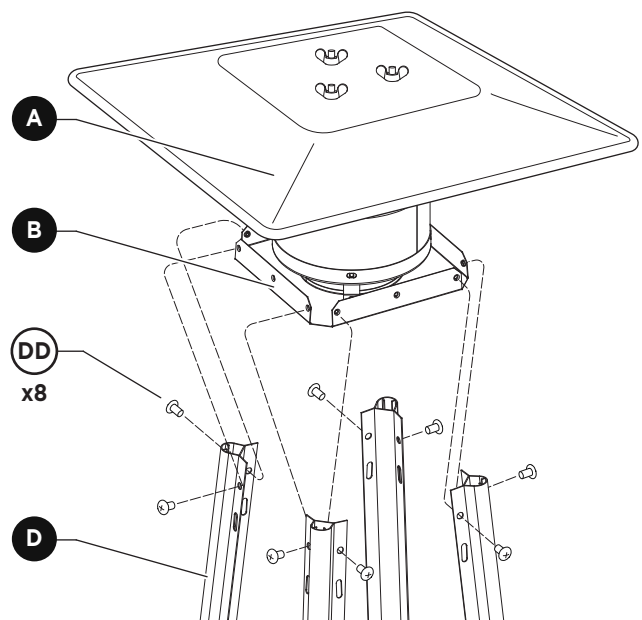
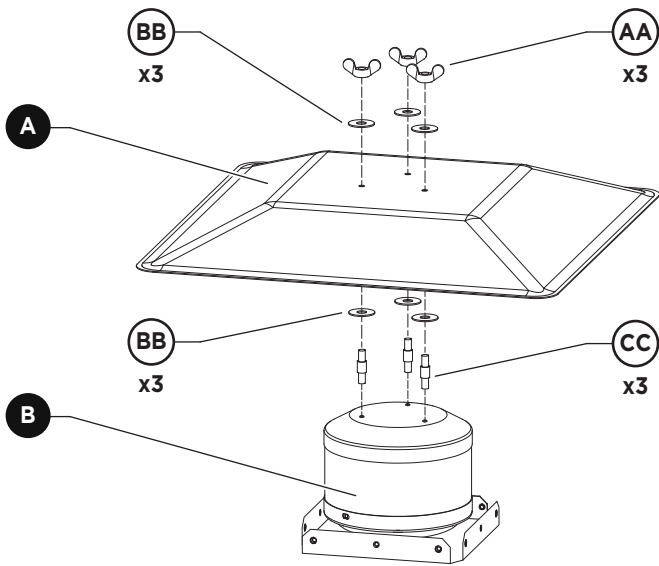
3. Orient the burner assembly so that the control panel faces forward (opposite the wheel assembly). In similar manner, insert the pegs on the burner assembly into the slots at the top of the lower supports. Push the burner assembly down to seat the pegs in the bottom of the slots. Secure with hardware shown.



4. Install the tank strap to the two rear supports (opposite the control panel). Secure with hardware shown.

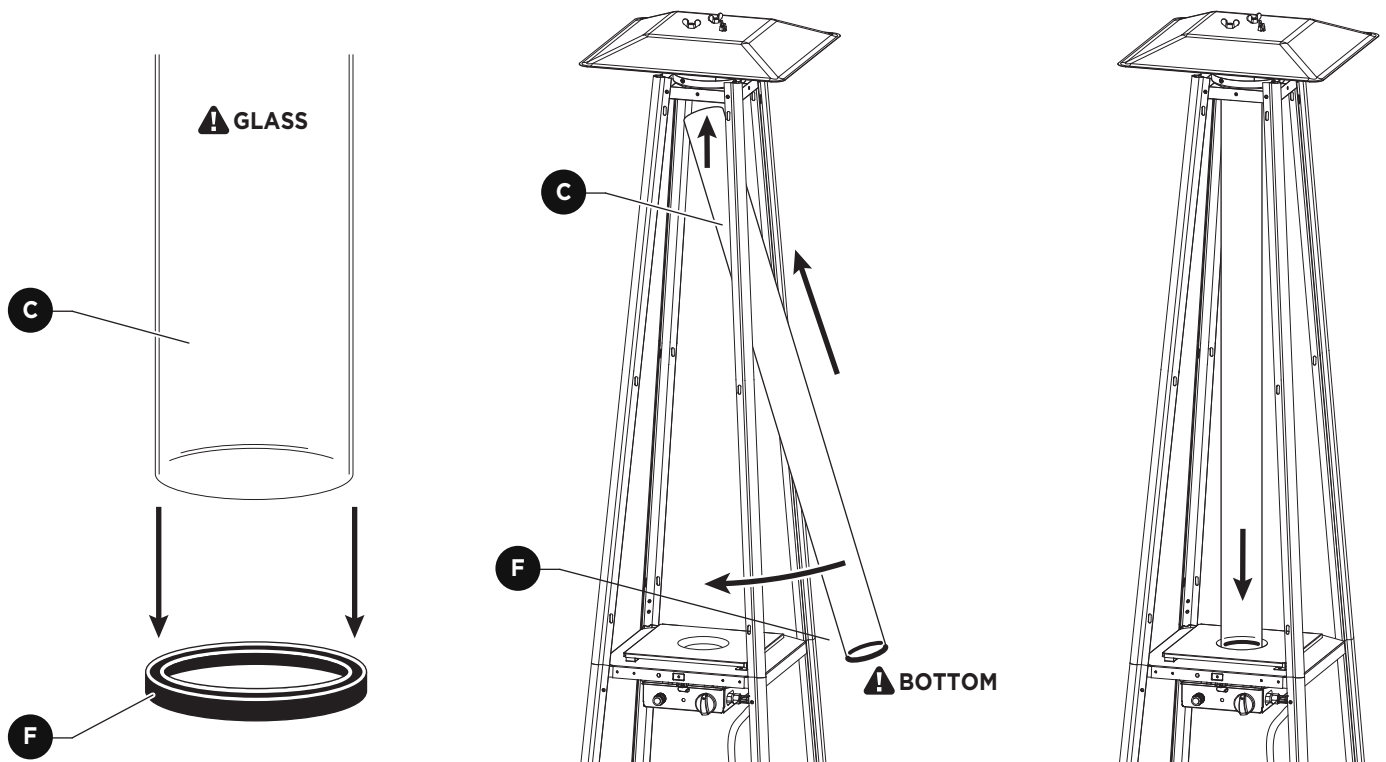


5. Slide the upper supports over the brackets on the lower supports. Observe correct orientation: bottom of upper supports has two holes on inside face. Secure with hardware shown.



6. Attach the reflector to the flame screen: Screw studs into flame screen first and then follow with other hardware as shown. Finish by tightening wing nuts.

7. Attach the reflector and flame screen to the upper supports using hardware shown.



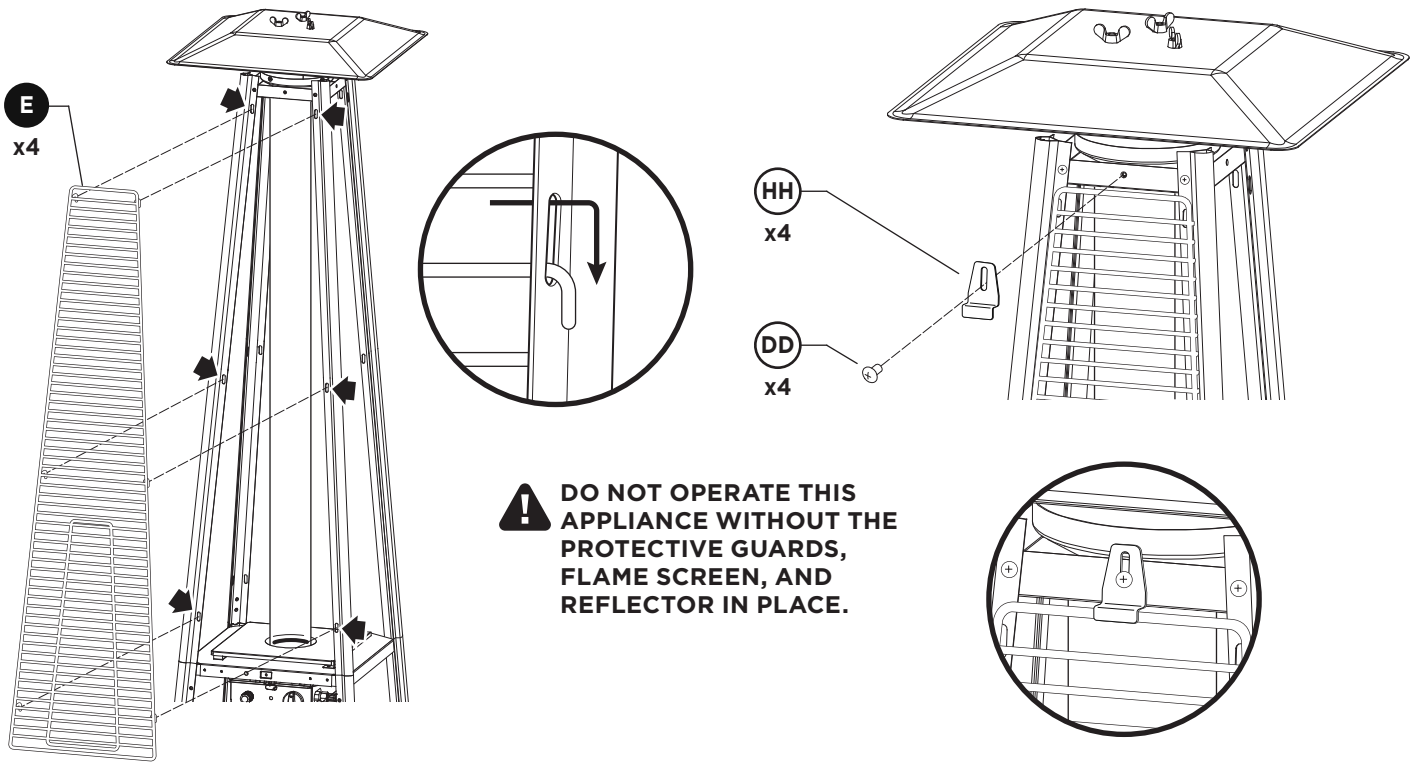
8. Slide one end of the glass tube into the channel of the black silicone ring. **Handle the glass tube with caution.**

9. Install the glass tube (with the black silicone ring on the bottom) by lifting up and inserting through the hole in the flame screen. Swing the glass tube over the hole of the burner assembly. Gently lower the glass tube onto the burner assembly.

Ensure that the glass tube and silicone ring completely covers the hole of the burner assembly.

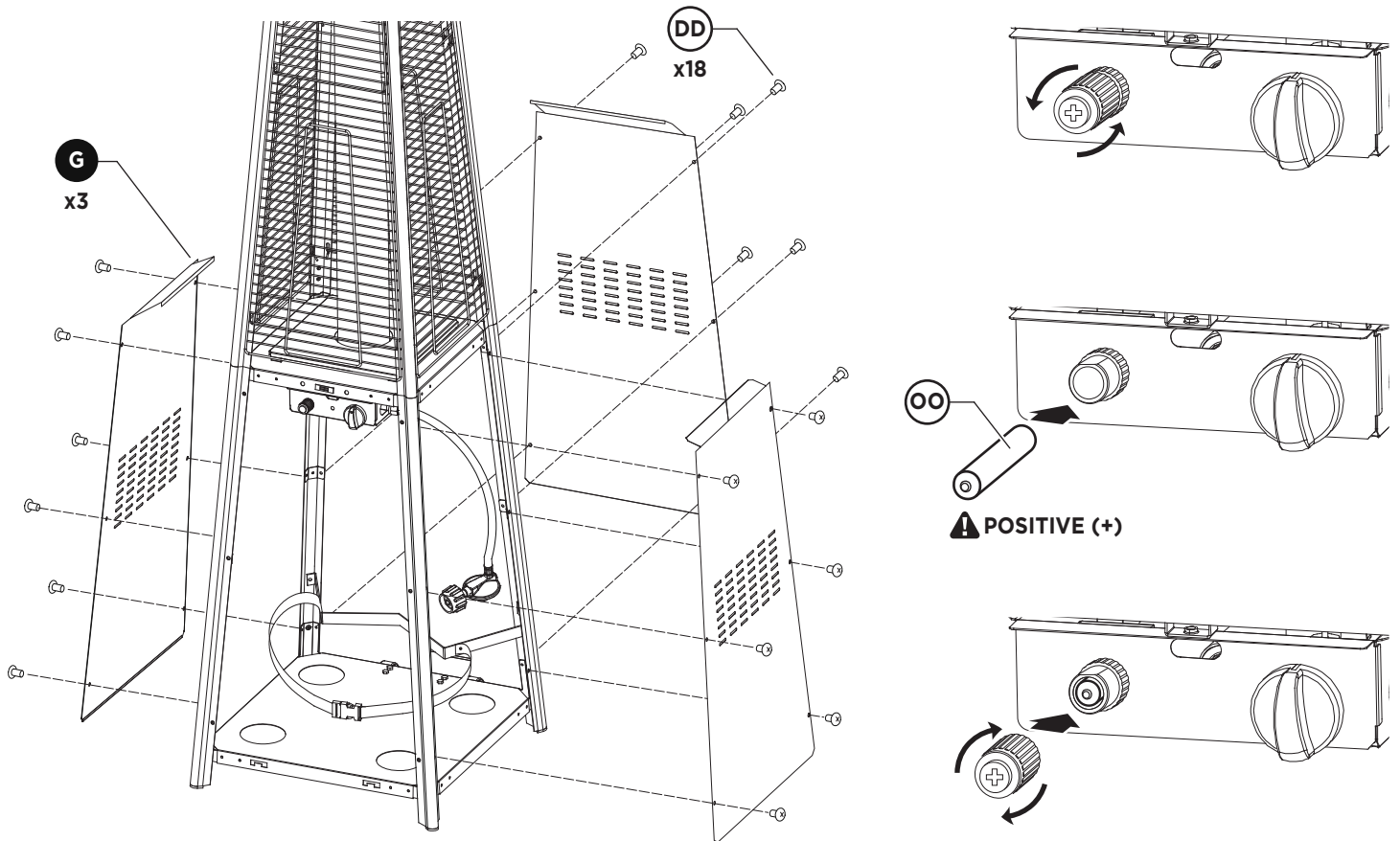


DO NOT OPERATE THIS APPLIANCE WITHOUT THE GLASS TUBE AND SILICONE RING PROPERLY IN PLACE.



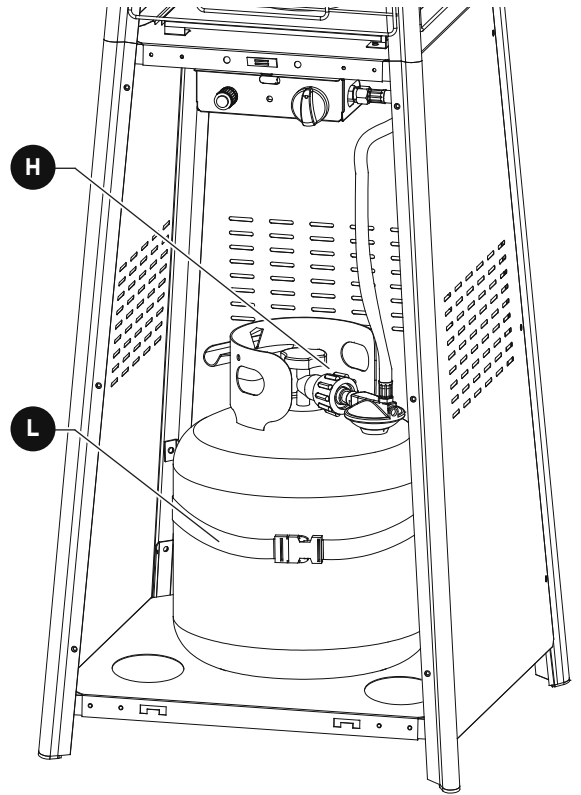
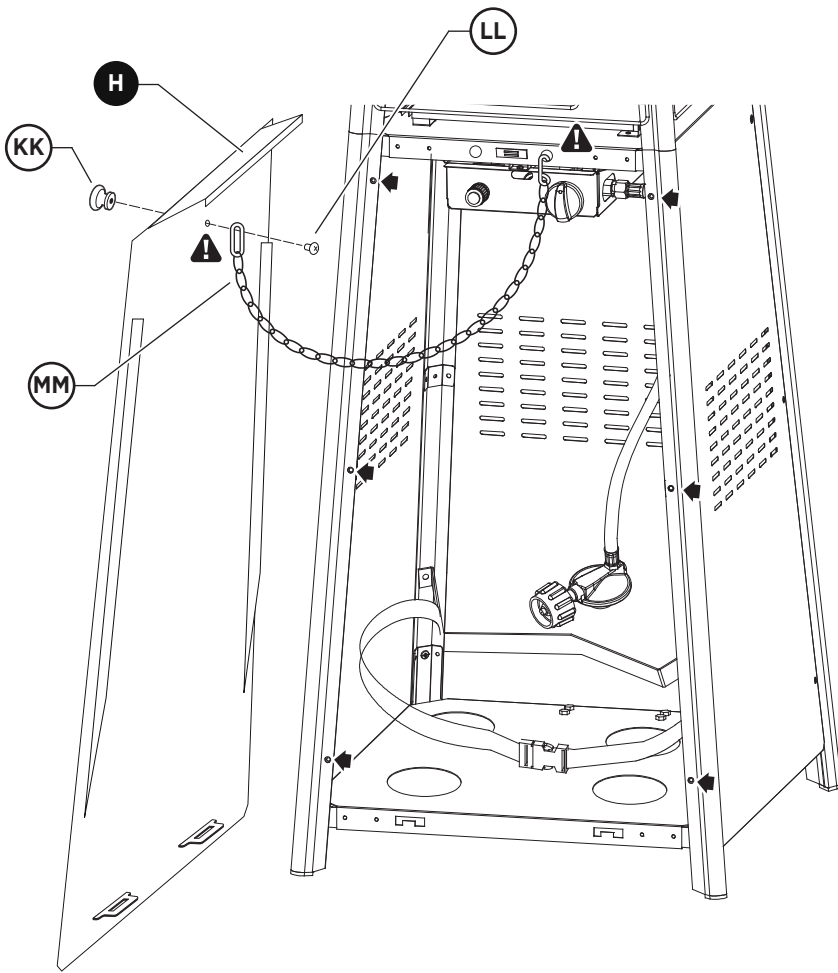
10. Hang the hooks of the protective guards into the holes of the upper supports. Do this on all four sides.

11. Secure the bracket to the flame screen over the protective guard with the hardware shown. Do this on all four sides.



12. Attach side and back panels to lower supports. Note: These panels are identical. Secure with hardware shown.

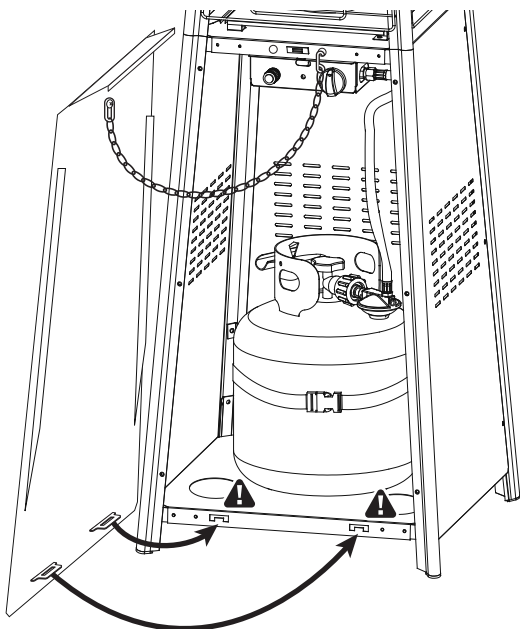
13. Remove the igniter button (unscrewing counterclockwise). Insert the AA battery with the positive (+) end showing. Replace the igniter button (screw in clockwise).



- 14.** Install the knob on the front panel with the hardware shown. Trap the closed end of the chain under the screw on the inside of the front panel. Hook the open end of the chain to one of the holes on the burner assembly.

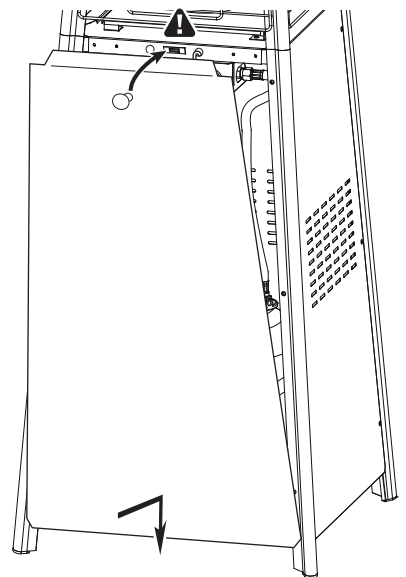
Note: No screws at these six positions (➡).

- 15.** Install a propane tank (not provided) inside the cabinet. Secure the tank with the strap. Ensure the tank valve is completely closed. Attach the gas hose/regulator to the tank valve. Tighten snugly by hand only (no tools). Perform a leak test (see page 2). Observe all local safety regulations and codes when using this appliance and/or when handling, using, and storing propane tanks.



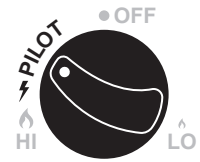
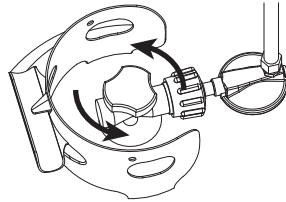
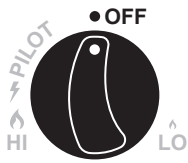
- 16.** Hook the slotted tabs at the bottom of the front panel onto the tabs of the bottom plate. Push in and down.

Then tip the top of the panel until it is secured by the magnetic catch.



OPERATION: START UP

This appliance is equipped with a pilot light that allows for safer startups and shutdowns. The pilot must be lit before main burner can be started.

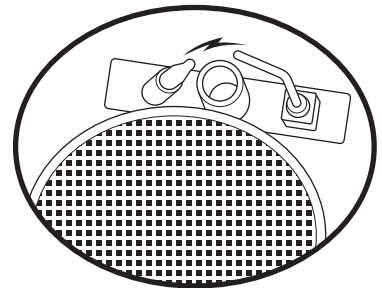


1. Ensure the control knob is in the OFF position.
2. Turn the valve on the propane tank completely counterclockwise to the OPEN position.
3. Press and turn the control knob counterclockwise to the PILOT position. Hold down for 1 minute (see INITIAL USE on next page).

4. Continue holding the control knob down and push and hold the igniter button.

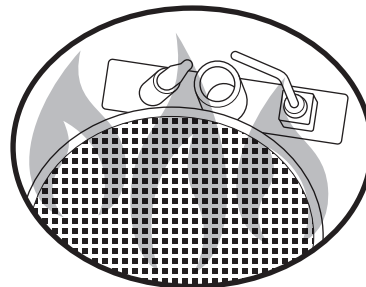
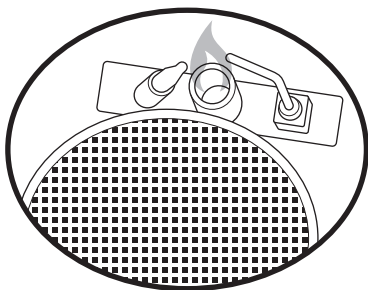
You will hear clicking sounds and see repeated sparks across the gap at the igniter.

IGNITER



5. When the pilot lights, release both the igniter and control knob. Wait 30 seconds.
6. Turn the control knob towards the HI position until the main burner lights.
7. Remain on HI for about 5 minutes, then turn the control knob to the desired level.

The spark will ignite a small blue flame at the pilot (may be difficult to see in daylight).



INITIAL USE

When first setup, after a tank change, or after an extended period of disuse, air may be present in the gas line preventing a normal start up.

Purge air from the gas line at step 3 of the START UP procedure by holding the control knob down for **2 minutes** before proceeding with start up.

Some light, white smoke and/or odour may occur upon first use of this appliance as manufacturing oils burn off.

This is normal and will dissipate. Stay clear during first operation for about 30 minutes to avoid inhaling fumes.

NORMAL OPERATION

At HI position, flames will reach about 2/3 the height of the glass tube.

At LO position, flames will reach about 1/3 the height of the glass tube.

The flame should be blue with straight yellow tips.

No black smoke should be produced.

Operates without excessive noise.

If you suspect abnormal operation and/or smell gas, do not continue to operate this appliance. Follow the SHUTDOWN procedure below and check the appliance according to directions in this manual.

OPERATION: SHUTDOWN

1. Turn control knob clockwise to PILOT position.

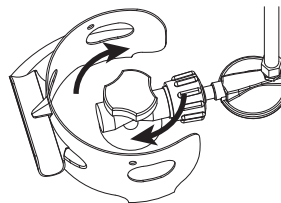
Main burner may make a slight popping sound as it extinguishes. Pilot will remain lit.



2. To extinguish PILOT, press the control knob and continue to turn it clockwise to the OFF position.




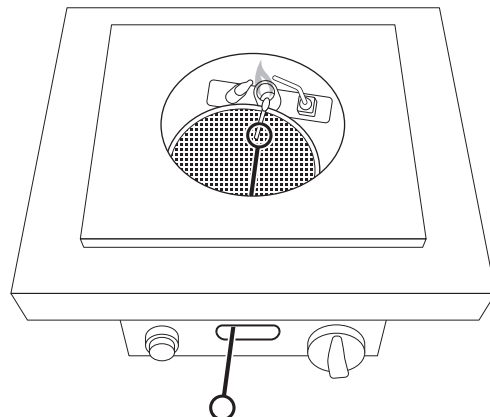
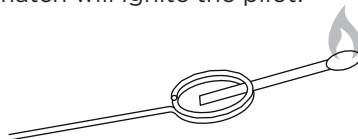
3. Turn the valve on the propane tank completely clockwise to the CLOSE position.



TROUBLESHOOTING

PILOT FAILS TO LIGHT OR STAY LIT: The main burner will not ignite without the pilot being lit first. Try each step below **one at a time** to light the pilot.

- Repeat steps 3 to 5 from START UP procedure.
- Turn the control knob to the OFF position. Close the tank valve. **Wait 5 minutes** to allow gas to dissipate before attempting to relight from step 1.
- If the igniter produces no spark: Change the battery. **Wait 5 minutes** and try again from step 1.
- Manually light the pilot: **Wait 5 minutes.** Slip a paper match into one end of the extension tool. Light the match. Pass it through the opening in the control panel towards the pilot. Push the control knob down at the PILOT  position. The lit match will ignite the pilot.



>5 MIN

WARNING: Always wait at least 5 minutes for gas to completely dissipate before attempting to re-light or manually light. Do not light if you smell gas.

PROBLEM	POSSIBLE CAUSE	CORRECTIVE ACTIONS
Pilot still won't light	Tank valve is closed.	Open valve.
	Blockage in orifice or pilot tube.	Clean/replace orifice or pilot tube.
	Air in gas line.	See step 3 under START UP.
	Low gas pressure with tank valve fully open.	Turn valve OFF and refill/replace tank.
Pilot won't stay lit	Igniter failure.	Replace battery/igniter. Manually light pilot (see above).
	Dirt built up around pilot.	Clean dirt from around pilot.
	Loose gas line connections.	Tighten connections. Perform leak test.
Burner won't light	Thermocouple failure.	Replace thermocouple.
	Tank is frosted over.	Wait for tank to warm up.
	Blockage in orifice.	Clear blockage.
Burner flame is low with control on HI	Control knob in incorrect position.	Review START UP.
	Gas pressure is low.	Turn valve OFF and refill/replace tank.
	Outdoor temperature below 40°F (5°C) and tank is less than 1/4 full.	Appliance operates at reduced efficiency below 40°F (5°C) — Use a full tank.
Carbon build-up	Blockage in orifices or burner.	Clean burner and orifices.
	Dirt or film on reflector/flame screen.	Clean reflector/flame screen.
Thick black smoke	Blockage in burner.	Remove blockage. Clean burner.

STILL HAVING ISSUES?: Contact our customer service team and they will do their best to help you!

MAINTENANCE

Keep exterior surfaces clean with warm soapy water and a soft cloth.

Clean only when the appliance is completely cold.

Never use flammable or corrosive cleaning agents.

Ensure the area around the burner and pilot assembly is clean and dry at all times.

Do not submerge the control valve/burner assembly in water or any liquid.

Spiders and insects can nest in burner orifices. This is a dangerous condition that can damage the appliance and render it unsafe to use. Clean burner orifices with a heavy-duty pipe cleaner and/or compressed air.

Carbon deposits may create a fire hazard. It may be necessary to disassemble the reflector and flame screen to adequately clean them from time to time.

The glass tube can be cleaned with warm soapy water and a soft cloth. Loosen or remove the bracket holding one of the protective guards to access the glass tube. Be careful to avoid breakage.

Reassemble all parts as before. Do not operate the appliance without any of its components in place.

DISCOLOURATION OF SURFACES

A natural fading of the finish of this appliance will occur over time and with use. Although heat-resistant materials are used in the production of this appliance, heat and flame will cause discolouration, especially of the flame screen and/or reflector. **This is not a defect in workmanship** and will not affect the performance of this appliance.

WARRANTY

Georgian Bay Leisure warrants this appliance to the original purchaser to be free from manufacturer defect in materials and workmanship for a period of 90 days from date of purchase. Retain your proof of purchase.

Any damage caused by willful abuse, neglect, carelessness, tampering, modification, alteration, unauthorized repair, commercial or industrial use, or any use other than intended, is not covered by this warranty.

Have a warranty concern? Please contact us for further direction.

Our goal is to make this manual as complete and accurate as possible at the time of printing. Updated manuals can be found at [georgianbayleisure.com](http://www.georgianbayleisure.com)



Georgian Bay Grills is a division of
Georgian Bay Leisure Distributors Ltd.
252 King Street, Unit 4
Barrie, Ontario, Canada
www.georgianbayleisure.com