



Georgian Bay Grills

OUTDOOR PROPANE FIRE TABLE

Thank you for purchasing Georgian Bay Grills' Fire Table. It will provide you with year-round outdoor enjoyment, beauty and comfort – sure to become the centerpiece of your outdoor entertainment space!

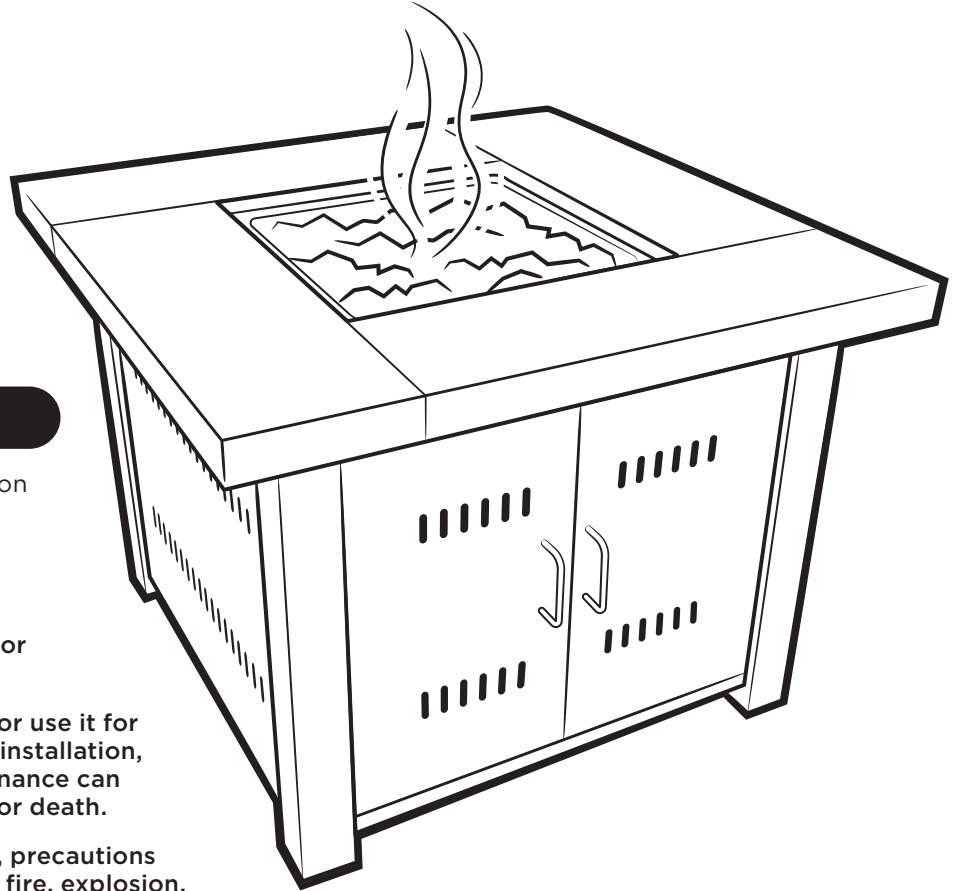
⚠ WARNING

As with any gas appliance, care and caution must be used at all times.

For the safety of you and your property, please read, understand and follow all installation, operation, and maintenance instructions thoroughly before installing or servicing this appliance.

Do not modify this appliance in any way or use it for purposes other than intended. Improper installation, adjustment, alteration, service or maintenance can cause property damage, personal injury or death.

Failure to heed all instructions, warnings, precautions and safety measures herein may result in fire, explosion, burns, asphyxiation, and/or carbon monoxide poisoning leading to property damage, personal injury, or death.



Please retain this manual for future reference.

THIS PRODUCT IS FOR OUTDOOR USE ONLY

CARBON MONOXIDE HAZARD: All combustion appliances, like this one, can produce carbon monoxide (CO) during operation. This appliance is designed to limit CO to extremely minute, non-hazardous levels when used and maintained properly.

CO is an invisible, odourless, tasteless gas. Without your being aware, it can quickly render you unconscious and then kill you.

CO poisoning produces flu-like symptoms: watery eyes, headaches, dizziness, and fatigue. If these symptoms are present during operation of this appliance, get fresh air immediately!

Never use this appliance in an enclosed space, such as a camper, tent, car, RV, boat, or home.



ANS Z21.97-2017 • CSA 2.41-2017 Outdoor Decorative Gas Appliances

Sold by Georgian Bay Leisure Distributors Ltd.



SAFETY INFORMATION

This manual contains important information about the assembly, operation and maintenance of this appliance, along with general safety. Keep this manual for future reference and to educate new users of this appliance. This manual should be read in conjunction with the labeling on the appliance itself.

Safety precautions are essential when using, storing, and servicing propane-fueled equipment. Using this appliance with the respect and caution required will reduce the possibilities of personal injury or property damage.

INSTALLATION:

During operation, this appliance can be a source of ignition. Keep all combustibles (such as building materials, paper, cardboard, clothing, etc.) away from this appliance. Minimum clearance: 24" (61 cm) from all sides and 72" (153 cm) from the top.

Install this appliance only on a firm, level surface.

OPERATION:

Do not obstruct air openings in the appliance and ensure adequate fresh air for proper operation.

Do not store or use volatile or airborne combustibles, such as gasoline, solvents, paint thinner, unknown chemicals, or other flammable liquids, near this appliance.

Do not use this appliance in areas with high dust content or high winds.

Do not move this appliance while in operation or while still hot. Completely close the gas supply at the tank before moving. For greater safety when moving, remove the tank.

Never leave this appliance unattended when in use or while still hot.

When not in use, shut off the gas supply by completely closing the valve on the tank.

Appliance surfaces near the burner may be HOT during operation and remain so for some time after shutdown. Alert all persons to stay clear to avoid burns or igniting clothing.

Keep out of reach of children. Carefully supervise children when in the vicinity of this appliance.

Do not operate with the lid in place.

Use the supplied, approved gas hose/regulator only.

Check all parts for damage before each use. Do not operate the appliance with damaged components. Check the regulator hose frequently for splits, cracking or other damage. Replace, if necessary, with the same length and specification part. Repairs should only be performed by qualified professionals.

Keep all connections, fittings, tank valve outlet, control compartment, burners, and air passages of the appliance clean and unobstructed.

Do not use any accessories other than described herein.

This appliance is intended for residential use only.

USING PROPANE:

Only use propane to fuel this appliance. Use a standard, certified 20lb propane tank only. Secure the tank inside the cabinet with the strap.

Do not store spare tanks near this appliance. Instead, store tanks outdoors in a well ventilated space out of reach of children. Never store tanks in enclosed areas or near high heat, open flames, pilot lights, direct sunlight, other ignition sources, or where temperatures exceed 120°F (49°C).

Check with your local fire safety authority for local standards governing the use of fuel gases and heat-producing appliances. In the absence of local codes, follow ANS Z223.1 or CAN/CGA-B 149.2.

Never install or remove the tank while this appliance is operating and/or still hot.

May contain small parts, including batteries, that may present a choking hazard to children.

Propane vapours are heavier than air and can accumulate in low places. If you smell gas, often described as "rotten eggs": Shut off the gas to the appliance. Extinguish any open flame. If odour persists, keep away from the appliance and call your gas supplier or fire department.

Combustion by-products produced when using this appliance contain chemicals known to the State of California to cause cancer, birth defects, and other reproductive harm.

LEAK TESTING:

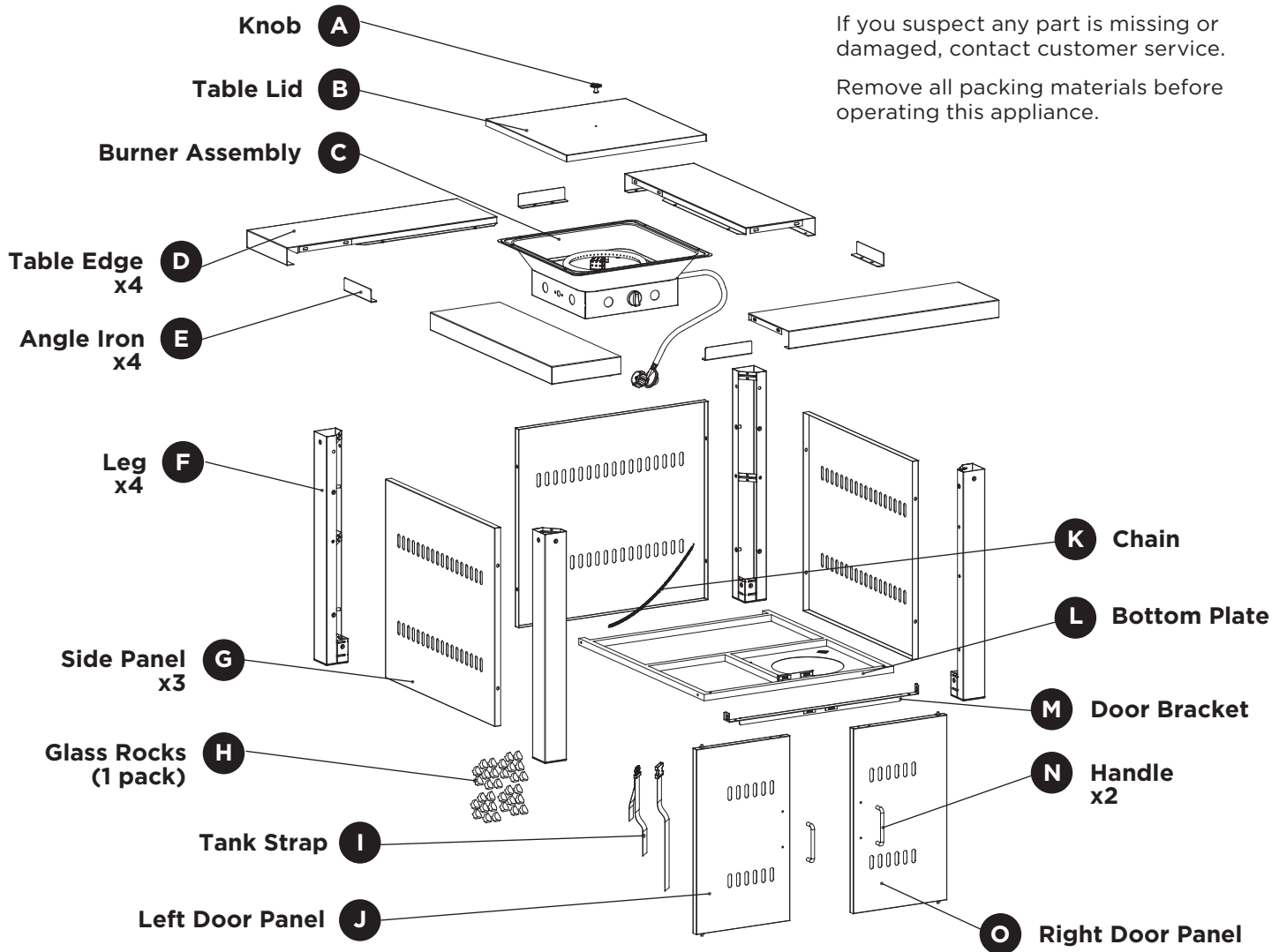
During set up, when installing a fresh propane tank, whenever connections are loosened or removed, and on a routine basis, you must perform a leak test. Use a solution of one part liquid soap and one part water. Apply the solution (with a spray bottle, brush, or rag) to all connections and fittings (at the tank and at the burner assembly). Ensure the control knob is in the OFF position. Open the tank valve only and observe: A stream of growing bubbles indicates a leak. Close the tank valve and tighten or reconnect fittings. Test again.

Never use a flame to check for leaks. Never operate the appliance without performing a leak test and ensuring there are no leaks. Never operate the appliance if you smell gas.

APPLIANCE STORAGE:

When storing this appliance indoors, disconnect the propane tank for outdoor storage as described above. Disconnect gas line and cap ends.

PARTS LIST

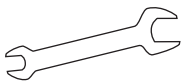


Before beginning assembly, make sure all parts are present.

If you suspect any part is missing or damaged, contact customer service.

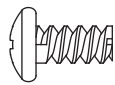
Remove all packing materials before operating this appliance.

HARDWARE LIST



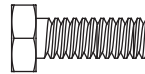
AA

Wrench



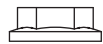
BB

M4 x 5 Screw
x5



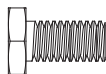
CC

M6 x 30 Bolt
x4



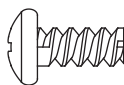
DD

M6 Nut
x8



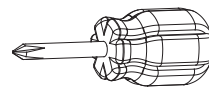
EE

M6 x 12 Bolt
x38



FF

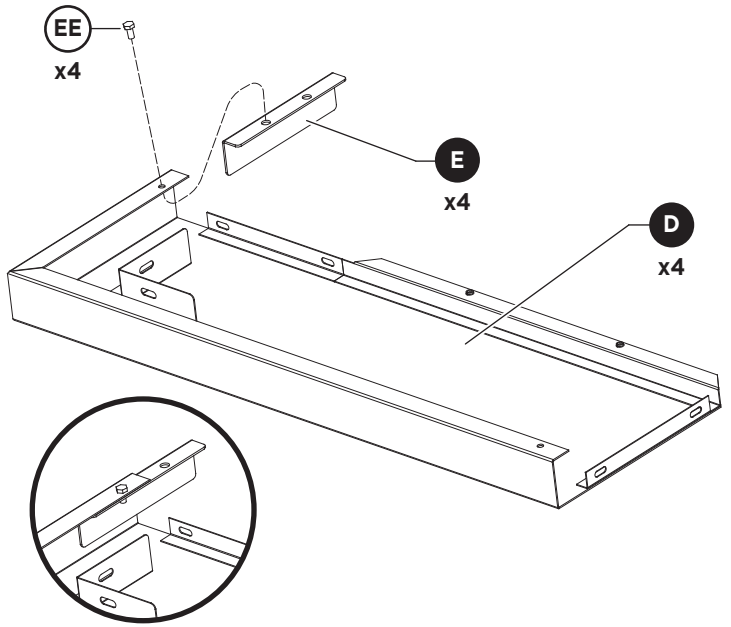
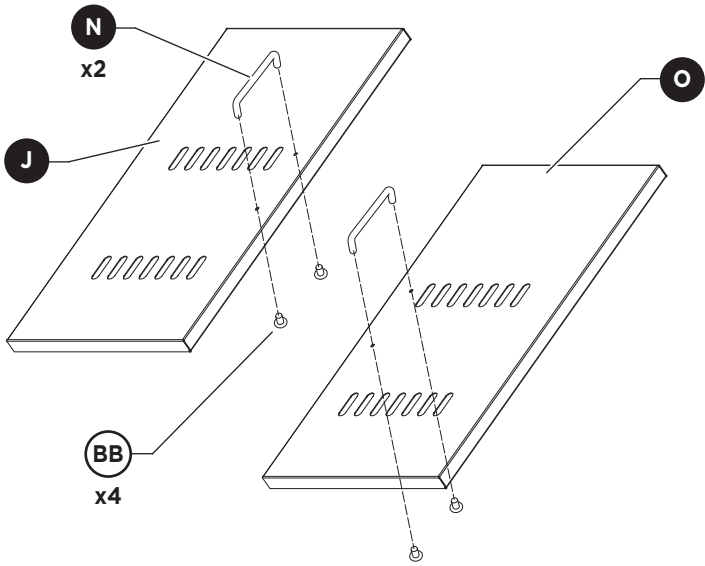
M5 x 12 Screw
x4



FF

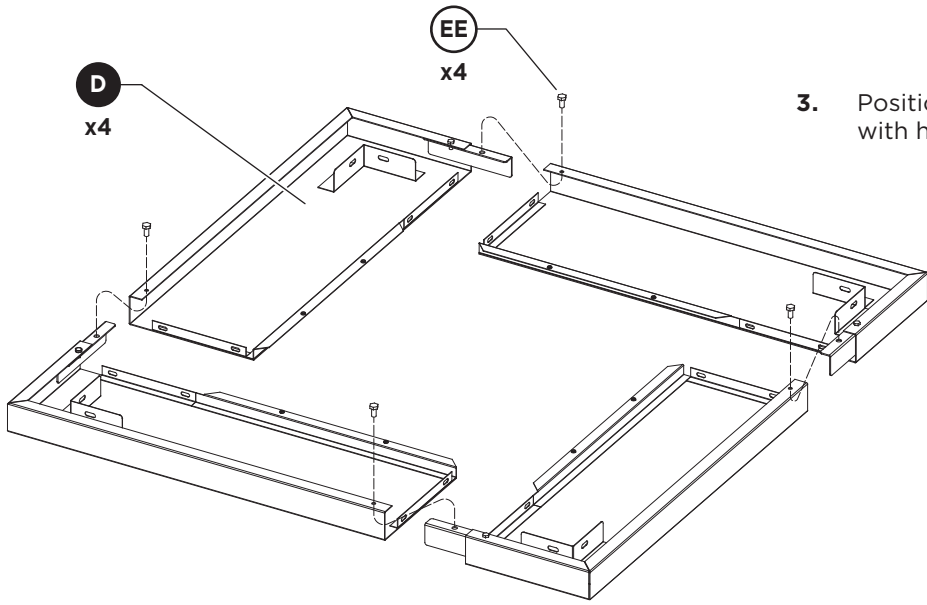
Phillips Screwdriver

ASSEMBLY



1. Attach a door handle to each door panel using the hardware shown.

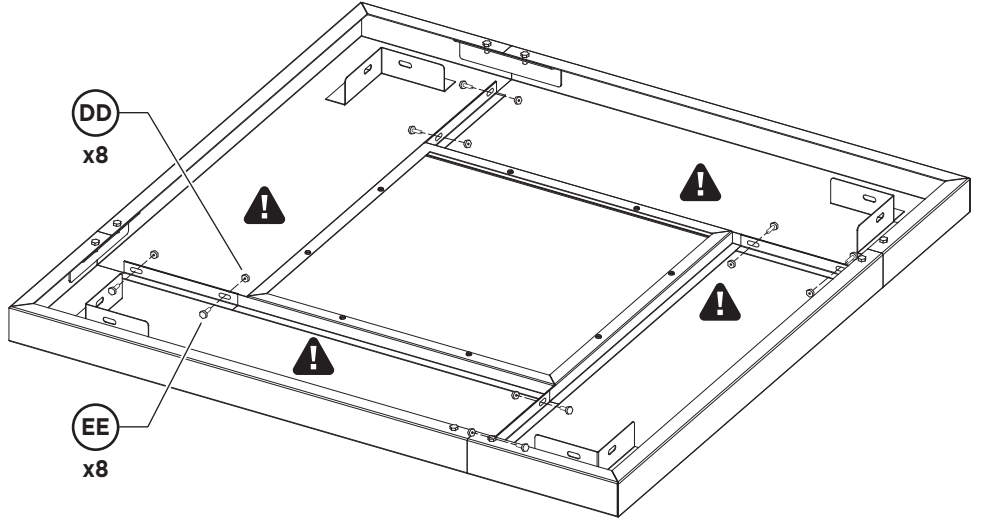
2. Attach an angle iron to each of the table edges with hardware shown.

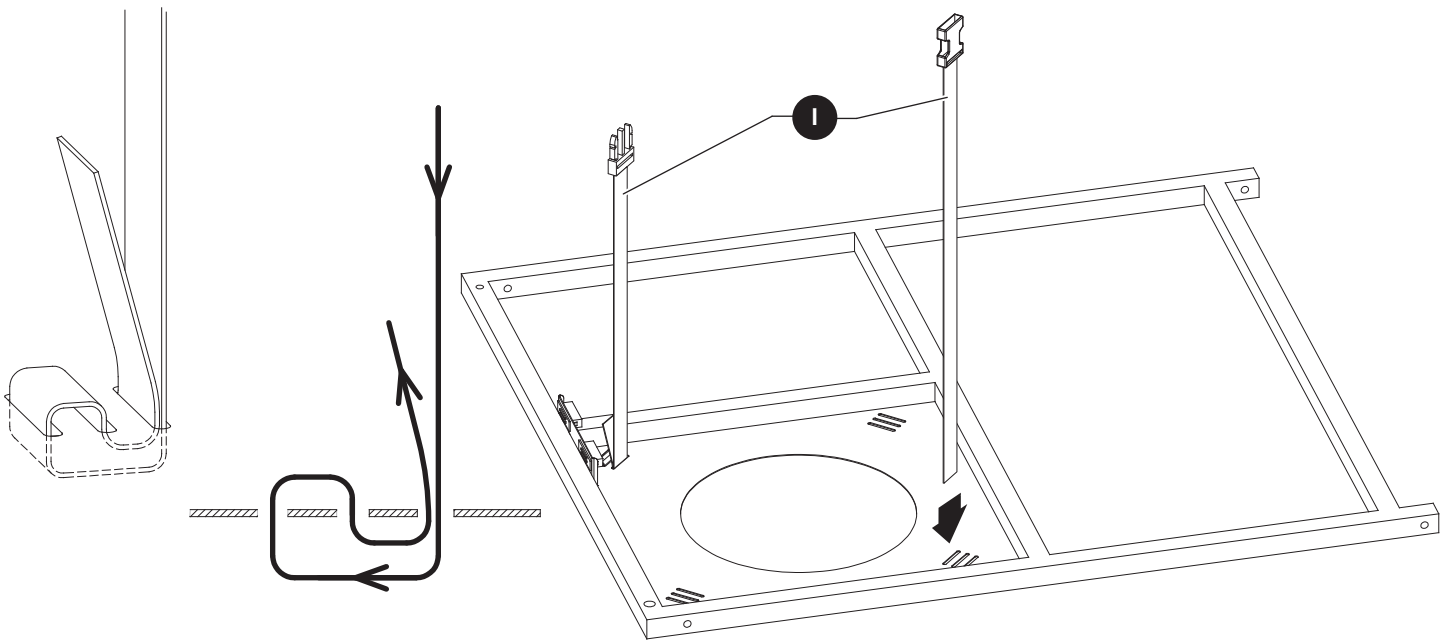


3. Position the four table edges and attach, with hardware as shown, finger tight.

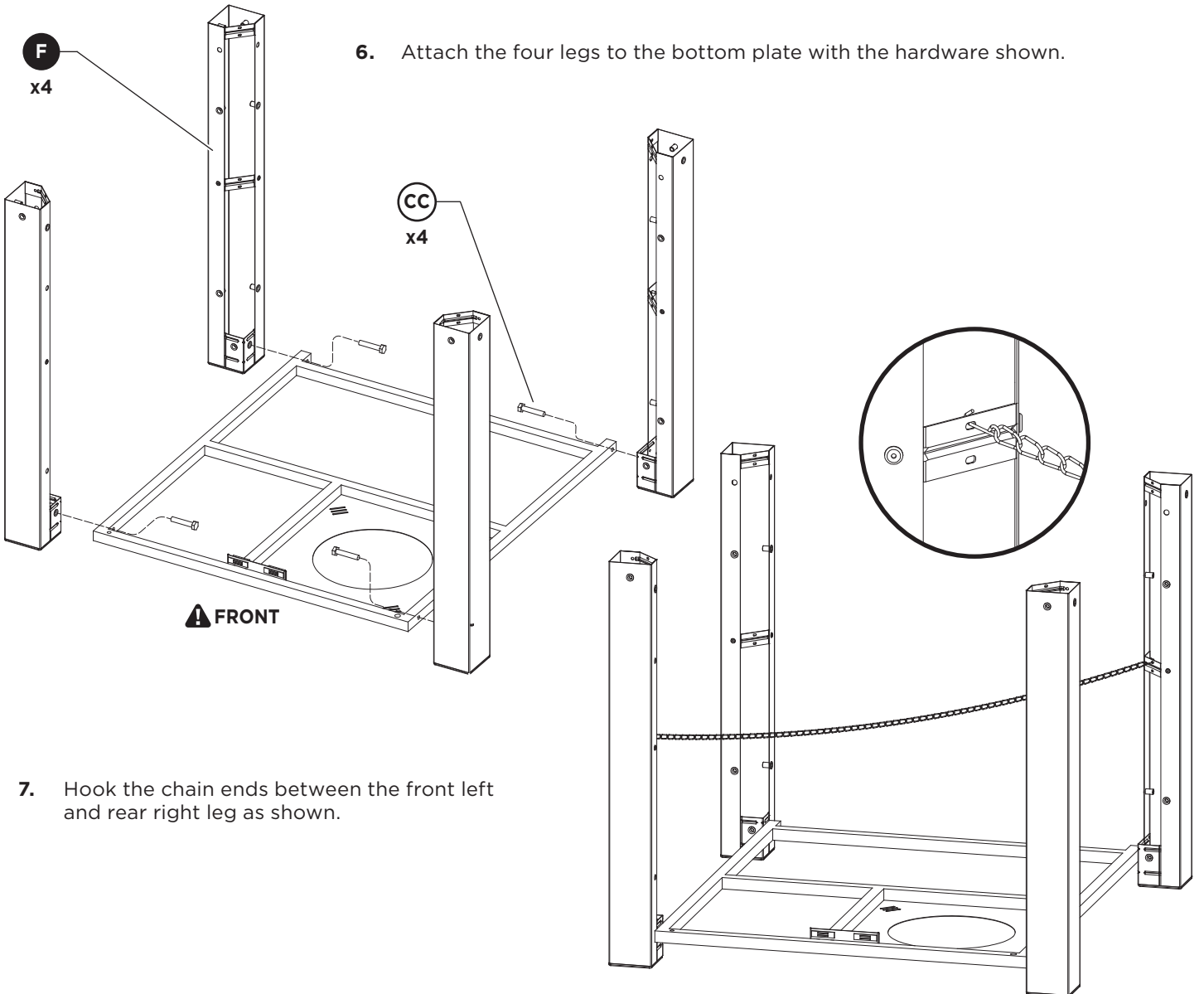
4. Attach at eight points with hardware shown.

⚠ Ensure that the faces of each table edge are flush with the others before completely tightening all hardware.

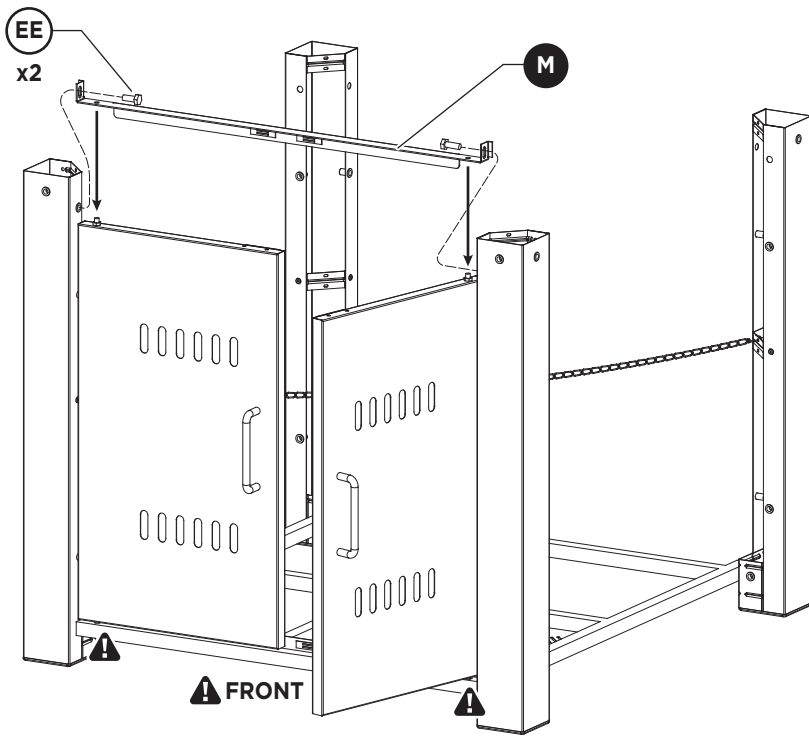




5. Thread each half of the tank strap into the slots in the bottom plate as shown. Pull the strap snug.



7. Hook the chain ends between the front left and rear right leg as shown.

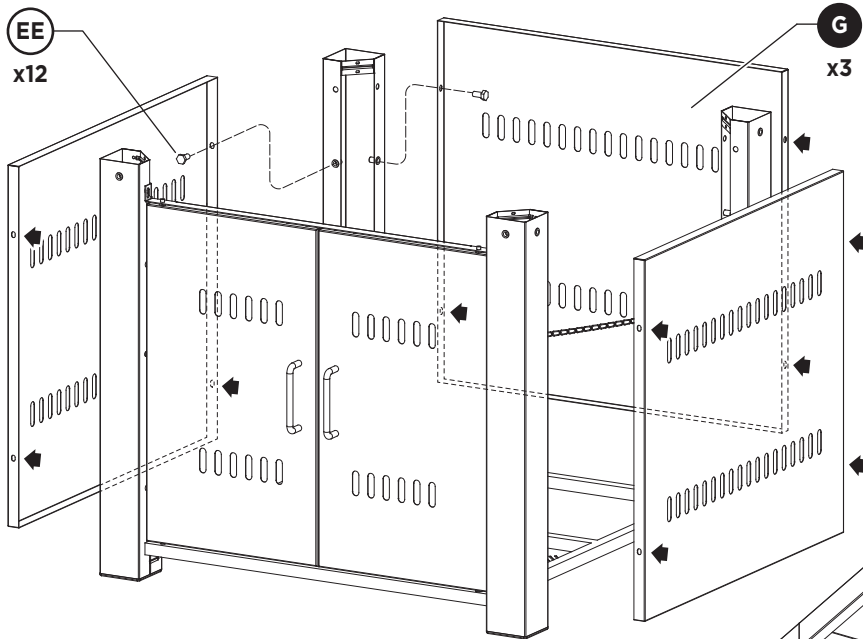


- 8.** Position both doors in the opening between the front legs. Insert the pins on the bottom of the doors into the matching holes in the bottom plate.

Position the door bracket over the doors. Align the pins on the top of the doors with the matching holes in the door bracket.

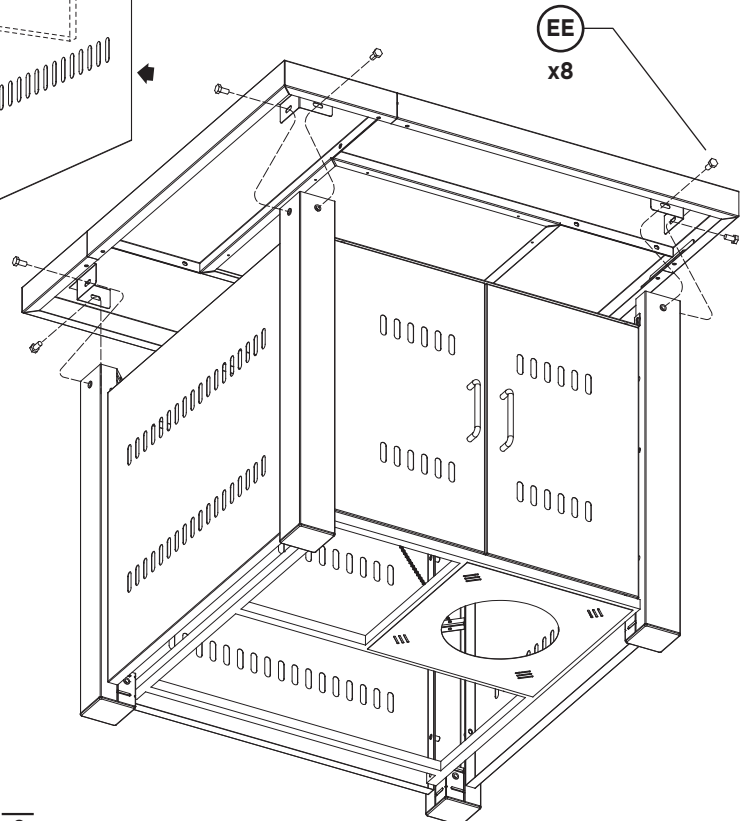
Attach the door bracket to the legs with the hardware shown.

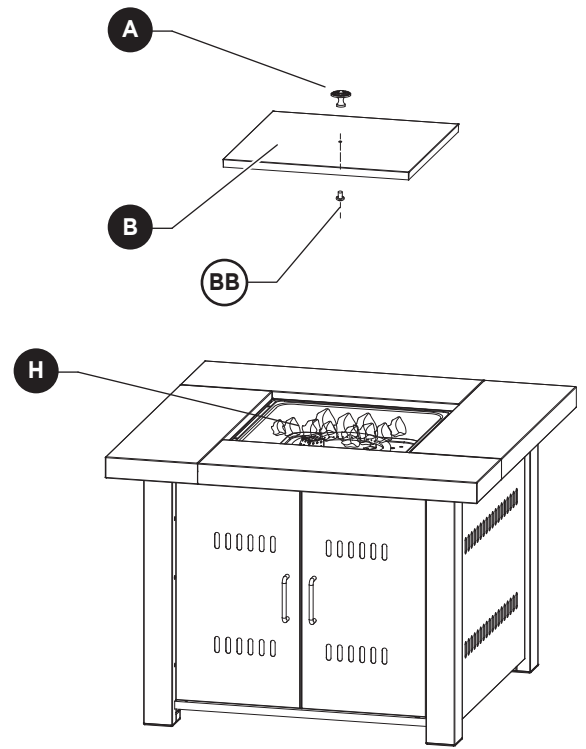
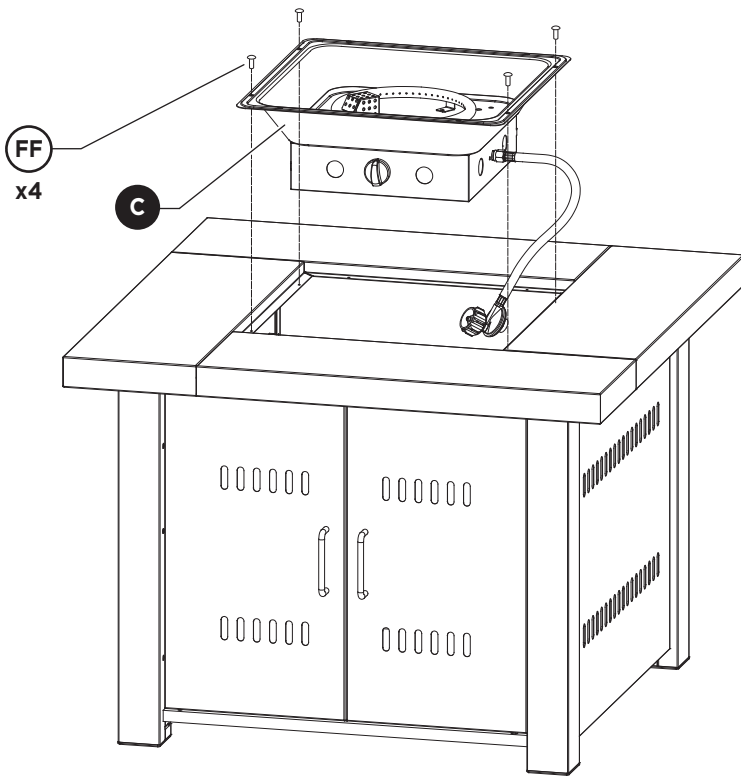
The door bracket should not be positioned too tightly against the doors. Adjust so that the doors can open easily.



- 9.** Attach side panels to the legs with the hardware shown.

- 10.** Position the assembled table on top of the assembled base. Align the holes and attach with hardware shown.



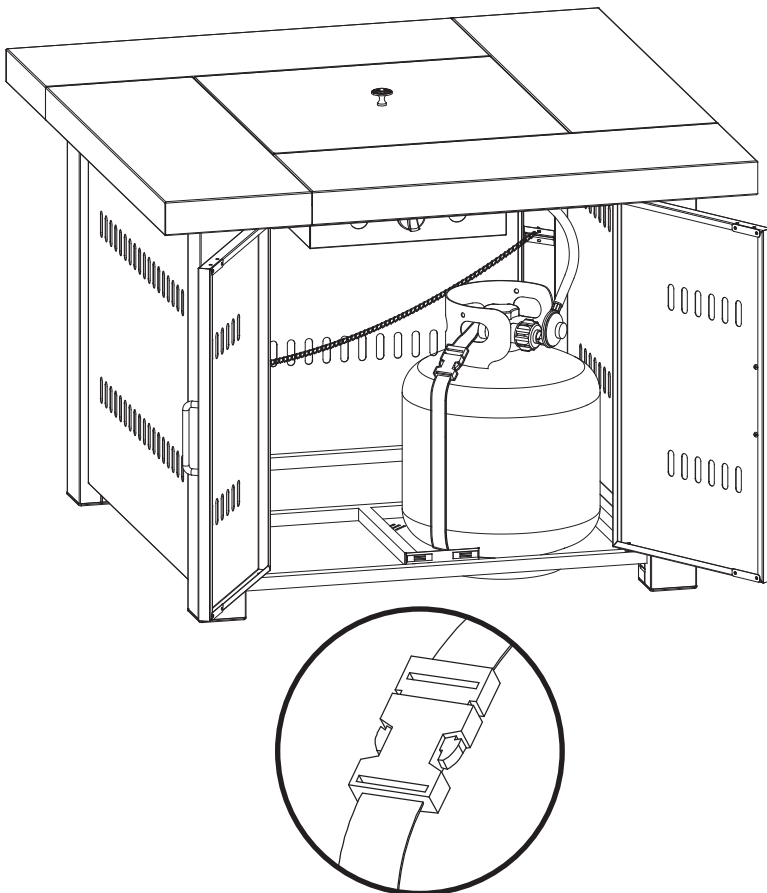


11. Insert the burner assembly by aligning the holes with those in the table. Attach with hardware shown.

12. Attach the knob to the lid with hardware shown.

Note: Do not operate this appliance with the lid in place. Position lid only when appliance is completely cold.

Add glass rocks to burner tray.



13. Install a standard 20lb propane tank only (not provided). Insert the base of the tank into the hole in the bottom plate inside the cabinet.

Secure the tank with the strap by passing it through the collar on the top of the tank. Adjust the strap for a snug fit.

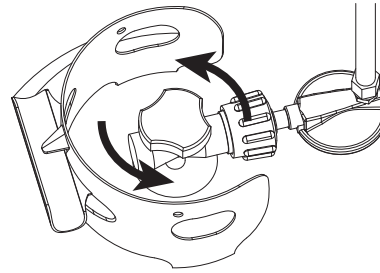
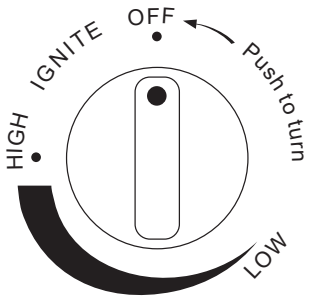
Ensure the tank valve is completely closed. Attach the gas hose/regulator to the tank valve. Tighten snugly by hand only (no tools).

Perform a leak test (see page 2).

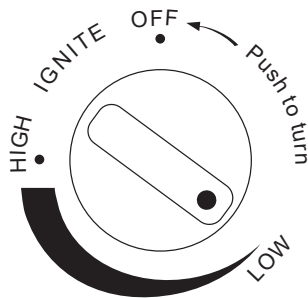
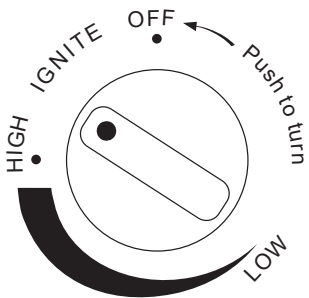
Observe all local safety regulations and codes when using this appliance and/or when handling, using, and storing propane tanks.

Close the doors.

OPERATION: START UP



1. Ensure the control knob is in the OFF position.
2. Turn the valve on the tank completely counterclockwise to the OPEN position.



3. Press and turn the control knob counterclockwise to the IGNITE position or until you hear clicking sounds.
4. Hold the control knob down (for no more than 10 seconds) until the burner ignites. When the burner lights, release the control knob.

Adjust the level of flame between LOW and HIGH to your preference. Press the control knob in order to turn.

NORMAL OPERATION

The flames should be blue with yellow tips. No thick black smoke should be produced. Operates without excessive noise.

If you suspect abnormal operation and/or smell gas, do not continue to operate this appliance. Follow the SHUTDOWN procedure below and check the appliance according to directions in this manual.



Note: Improper operation, can cause injury or property damage. If the burner does not light or fails to remain lit, CLOSE tank valve and turn control knob to OFF position. Wait at least 5 minutes for gas to dissipate before attempting to re-light.

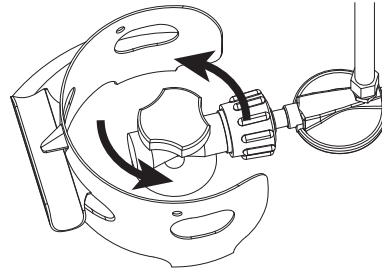
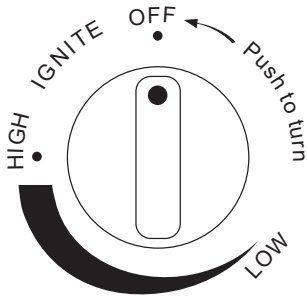
INITIAL USE

Some light, white smoke and/or odour may occur upon first use of this appliance as manufacturing oils burn off.

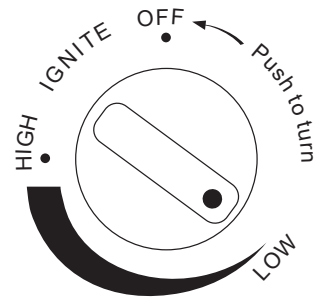
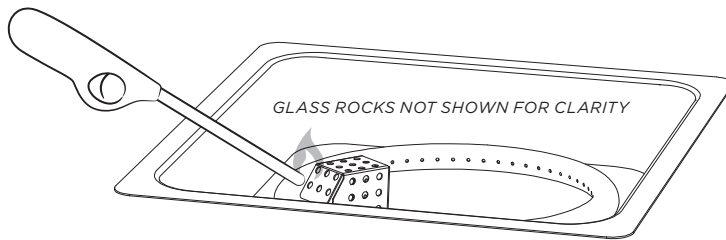
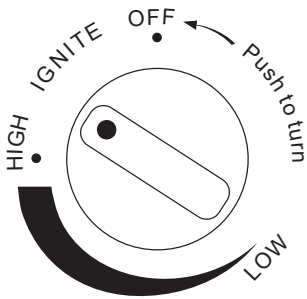
This is normal and will dissipate. Stay clear during first operation for about 30 minutes to avoid inhaling fumes.

MANUAL LIGHTING

If you do not hear clicking sounds with the control knob in the IGNITE position, it could mean that the igniter has failed. You can, however, manually light this appliance:

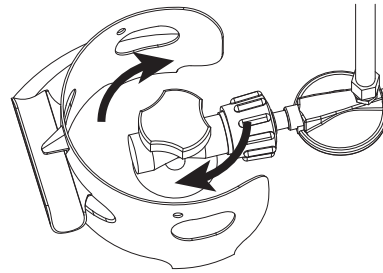
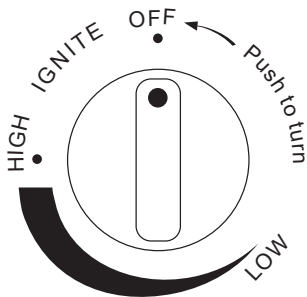


1. CLOSE tank valve and turn control knob to OFF position. **Wait at least 5 minutes** for gas to completely dissipate before attempting to manually light. Do not light if you smell gas.
2. Turn the valve on the tank completely counterclockwise to the OPEN position.



3. Press and turn the control knob counterclockwise to the IGNITE position. Gas will flow to the burner.
4. Immediately bring a long lit match or lighter close to the burner. The gas will ignite.
5. Proceed to adjust the flame level by pressing and turning the control knob between LOW and HIGH.

OPERATION: SHUTDOWN



1. Press and turn control knob clockwise to OFF position. The burner may make a slight popping sound as it extinguishes.
2. Turn the tank valve completely clockwise to the CLOSE position. If not using this appliance for an extended period, also disconnect the gas hose/regulator from the tank.

TROUBLESHOOTING

PROBLEM	POSSIBLE CAUSE	CORRECTIVE ACTIONS
Burner won't light	Tank is frosted over.	Wait for tank to warm up.
	Blockage in orifice.	Clear blockage.
	Failed igniter.	Replace igniter or manually light.
	Control knob in incorrect position.	Review START UP.
Burner flame is low with control on HIGH	Gas pressure is low.	Turn valve OFF and refill/replace tank.
	Outdoor temperature below 40°F (5°C) and tank is less than 1/4 full.	Appliance operates at reduced efficiency below 40°F (5°C) — Use a full tank.
	Blockage in orifices or burner.	Clean burner and orifices.
Carbon build-up	Dirt or film on burner.	Clean burner.
Thick black smoke	Blockage in burner.	Remove blockage. Clean burner.

STILL HAVING ISSUES?: Contact our customer service team and they will do their best to help you!

MAINTENANCE

Keep exterior surfaces clean with warm soapy water and a soft cloth.

Clean only when the appliance is completely cold.

Never use flammable or corrosive cleaning agents.

Ensure the area around the burner assembly is clean and dry at all times.

Do not submerge the control valve/burner assembly in water or any liquid.

Spiders and insects can nest in burner orifices. This is a dangerous condition that can damage the appliance and render it unsafe to use. Clean burner orifices with a heavy-duty pipe cleaner and/or compressed air.

Carbon deposits may create a fire hazard. Keep the burner area clean and free of debris at all times.

With the appliance completely cold, you may remove and clean the glass rocks with warm soapy water.

DISCOLOURATION OF SURFACES

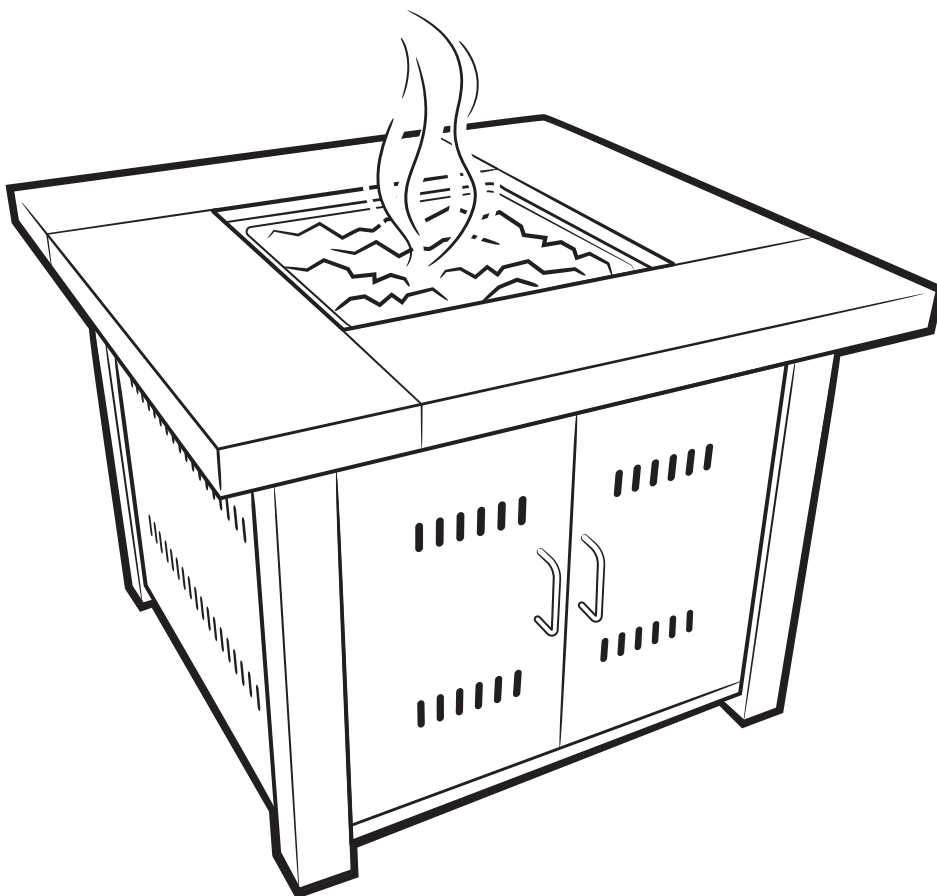
A natural fading of the finish of this appliance may occur over time and with use. Although heat-resistant materials are used in the production of this appliance, heat and flame may cause discolouration. **This is not a defect in workmanship** and will not affect the performance of this appliance.

WARRANTY

Georgian Bay Leisure warrants this appliance to the original purchaser to be free from manufacturer defect in materials and workmanship for a period of 90 days from date of purchase. Retain your proof of purchase.

Any damage caused by willful abuse, neglect, carelessness, tampering, modification, alteration, unauthorized repair, or industrial use, or any use other than intended, is not covered by this warranty.

Have a warranty concern? Please contact us for further direction.



Our goal is to make this manual as complete and accurate as possible at the time of printing. Updated manuals can be found at [georgianbayleisure.com](http://www.georgianbayleisure.com)



Georgian Bay Grills is a division of
Georgian Bay Leisure Distributors Ltd.
252 King Street, Unit 4
Barrie, Ontario, Canada
www.georgianbayleisure.com