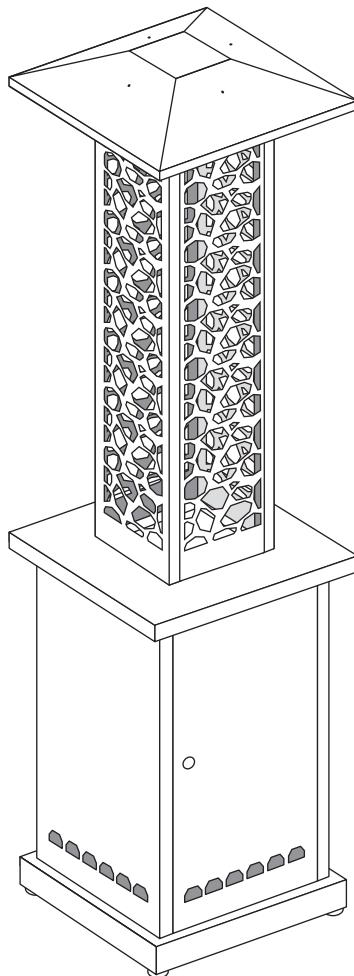




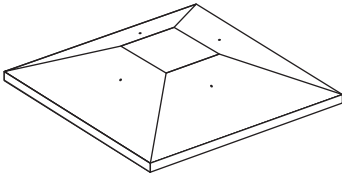
# PREMIUM WOOD PELLET PATIO HEATER

Model: GBG-PELHTR

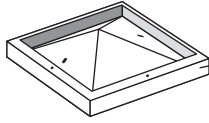


**THIS PRODUCT IS FOR OUTDOOR USE ONLY**

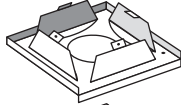
**PARTS**



ROOF

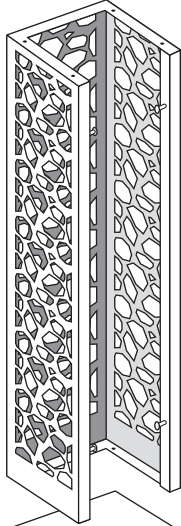


DIFFUSER

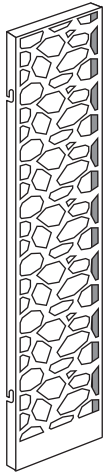


UPPER FRAME

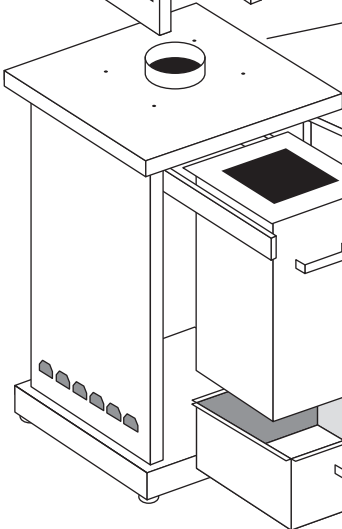
GLASS TUBE



VIEWING TOWER



TOWER DOOR



BASE

BASE DOOR

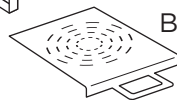
HOPPER

HOPPER COVER

ASH DRAWER

BOTTOM PLATE

Also included:  
POKER  
PROTECTIVE  
GLOVES



## **WARNING**

This manual provides information on transport, installation, correct use and maintenance of the pellet heater. It is aimed at persons involved in the installation, use and maintenance of the equipment.

Before carrying out any operation, please carefully read, understand, and implement these instructions. If you are unsure about any aspect of these instructions, please contact the manufacturer/seller to obtain clarification.

Non-compliance, even partially, of the recommendations contained in these instructions may lead to personal injury and/or damage to the equipment. The manufacturer/seller is not liable for damage or injury resulting from failure to heed these directions.

## **IMPROPER USE**

Any use of the heater, except as described herein, will void the warranty. The manufacturer/seller will not be liable for damage to or injury of persons and/or property caused by improper use.

Improper use is defined as:

- Any use other than the one specified in this manual;
- Any use in method or technique other than those permitted within this manual;
- Any work on the heater performed that does not comply with the instructions provided in this manual;
- Any use after tampering, modifying, or otherwise altering the heater and/or its safety devices;
- Any use after repairs performed with unauthorized components.

## **SAVE THESE INSTRUCTIONS**

This manual is an integral part of this product. It must always accompany the heater even if transferred to other persons. It should always be available to persons who install, use and perform maintenance on the heater. It must be preserved in good condition and be easily readable during the lifetime of the heater.

Consequently, keep this manual in a place protected from heat and moisture, and away from liquids. Do not tear out pages or modify the contents of this manual. If damaged or lost, you may request a replacement copy from the manufacturer/reseller.

## SAFETY PRECAUTIONS

1. The heater is intended for outdoor heating use only and should not be used for any other purpose. The heater should not be used as an incinerator.
2. Before using the heater, the operator must read and know all the safety precautions outlined herein.
3. Adhere to all regulations and laws concerning the installation and use of the heater. Do not install the unit: in a manner different than the one described herein; in the presence of ignition sources (flames, cigarettes, sparks, etc.); in areas with a possibility of water jets; close to combustible, flammable and/or explosive materials; in locations susceptible or close to fire. Do not smoke or approach with devices that can generate combustion (cigarettes, lighters, flames, etc.) while using the heater.
4. Although an unlikely occurrence, it is recommended that the user has easy access to a standard carbon dioxide (CO<sup>2</sup>) extinguisher at all times in case of an uncontrolled fire.
5. Place the heater on a floor or platform with load-bearing capacity sufficient to sustain the weight of the heater. To prevent accidental damage, remove the glass tube when moving the unit.
6. No objects should be placed within 30cm (12") from the walls of the heater and 50cm (20") from the radiation area of the glass tube.
7. Accessible parts may become hot during use. Do not touch the heater during operation. The heater will remain hot for some time after use. Use mitts able to provide adequate protection against heat when handling the heater. Do not move the heater when in use.
8. Do not attempt access to the hopper, viewing tower, ash drawer or glass tube while the unit is in use. Wait until the fire has burned out and the unit is completely cool before accessing these areas.
9. Keep children away from the heater at all times.
10. Fuel the heater with wood pellets only. Do not burn any other materials, including liquids. Do not burn wood chips, chipboard, MDF, any painted or otherwise finished wood (resins, foils, lacquers, varnish, etc.). The use of wood types other than pellets may generate toxic combustion gases and cause damage to the heater and/or environs. The combustion of the aforementioned types of wood may be prohibited by law. Never introduce paper, plastics, silicone, or any other materials, other than wood pellets, which can cause undesirable combustion effects.
11. Be attentive to the care and control of the heater throughout operation. Do not use the heater while physically, mentally, or otherwise impaired, under the influence of alcohol, narcotics or drugs.

## **SAFETY PRECAUTIONS** (continued)

12. Both the viewing tower and base doors must be kept closed during use of the heater. Make use of the key only to refill the hopper; do not leave the key in the door.
13. Never exceed a maximum pellet load of 9kg (20lbs). Do not fill the hopper with quantities of pellets lower or higher than those indicated. Overloading may cause damage to the heater.
14. If you see smoke, introduce another piece of fire starter in order to support proper combustion.
15. Clean the heater regularly. Neglecting to do so may cause deterioration that could adversely affect the life of the heater and/or lead to dangerous situations.
16. Remove any combustion residue from the glass tube and hopper after every use. Dispose of any materials from the ash drawer. Be aware that these materials may still be hot. Ensure the heater is completely clean and cold before storage.
17. Check for obstructions before using the heater, especially after a long period of inactivity.
18. Repair, replacement, maintenance, or any other work, must only be performed by qualified technicians and in accordance with governing laws and regulations. Do not modify the heater.
19. In case of fire, use carbon dioxide (CO<sup>2</sup>) extinguishers. Do not use water or powder extinguishers.
20. Do not use any accessories other than those supplied.
21. Do not cover, damage or remove the licence and/or technical plates affixed to the heater and/or accessories.

## **UNDERSTANDING YOUR HEATER**

The heater consists of a base with a hopper installed on two guiding rails and a borosilicate glass tube surrounded by a metal viewing tower.

Within the base, situated above the hopper, a slice of rock wool protects the surface in contact with the glass tube.

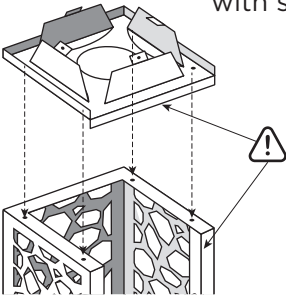
A top frame, stainless steel heat diffuser, and roof comprises the top of the heater.

The heater has an internal ash drawer under the hopper.

All exterior materials are treated with corrosion protection to extend the durability and serviceable life of the heater.

# ASSEMBLY

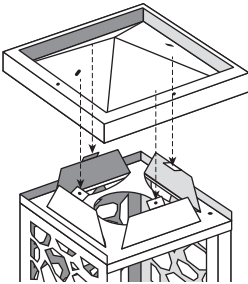
1. Remove all parts and hardware from the packaging with special care when handling the glass tube.



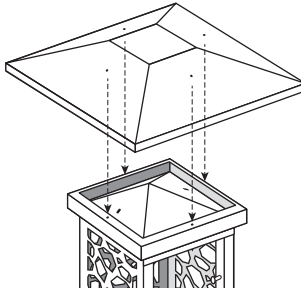
2. Attach the top frame to the viewing tower with four screws.

Observe correct orientation:  
Downward facing lip of diffuser  
should face opening of viewing tower.

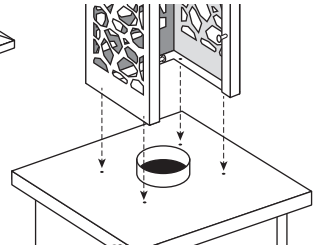
3. Attach the diffuser to the top frame with four screws.



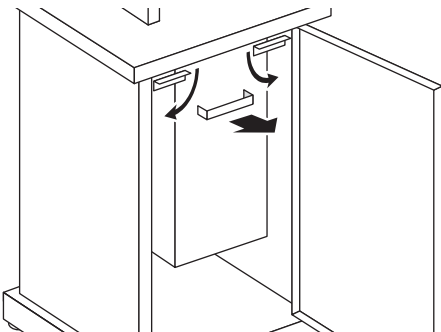
4. Attach the roof to the diffuser with four screws.



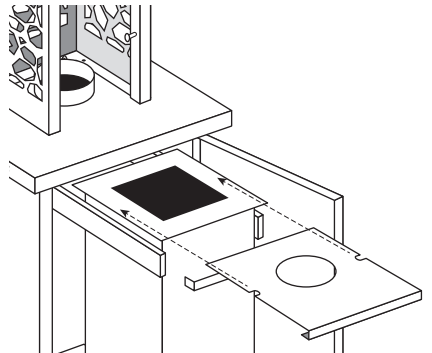
5. Attach the assembled viewing tower to the base with four screws.



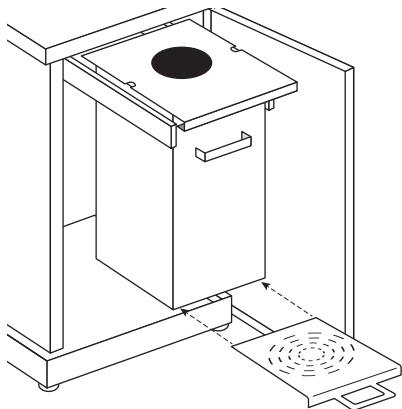
6. Open the base door. Swing the retention latches open. Pull out the hopper.



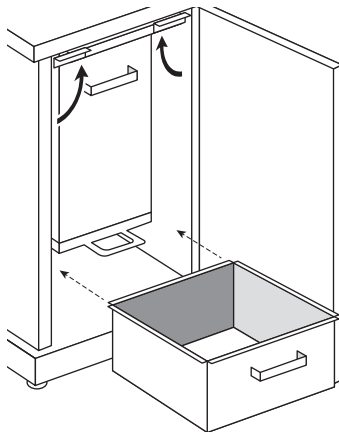
7. Place the cover on top of the hopper.



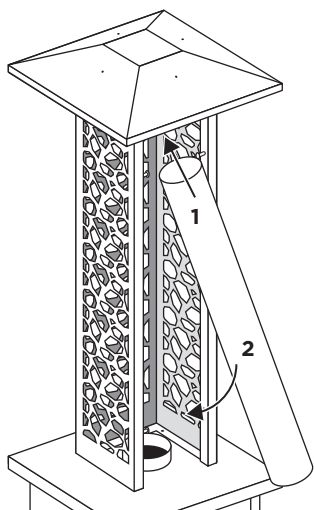
- 
8. Insert bottom plate into rails on the bottom of the hopper. Ensure that it is fully inserted such that pellets will not fall out the bottom of the hopper.



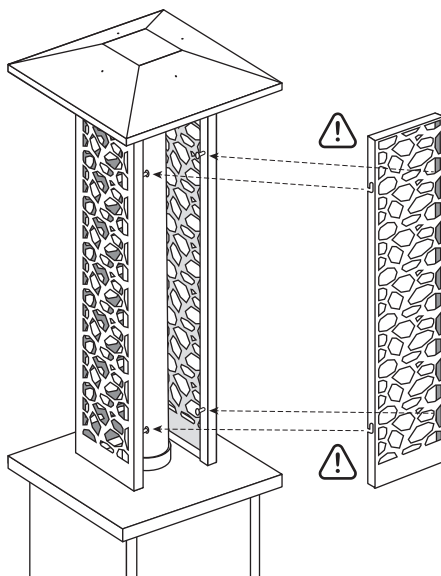
- 
9. Push hopper into base. Close the retention latches. Place ash drawer beneath the hopper on the floor of the base. Close the base door.



- 
10. Carefully place the glass tube inside the viewing tower. Tilt it up into the opening in the top frame and then rest it on the collar on top of the base.



- 
11. Attach door to viewing tower. Observe orientation as shown.



## MOVING AND POSITIONING THE HEATER

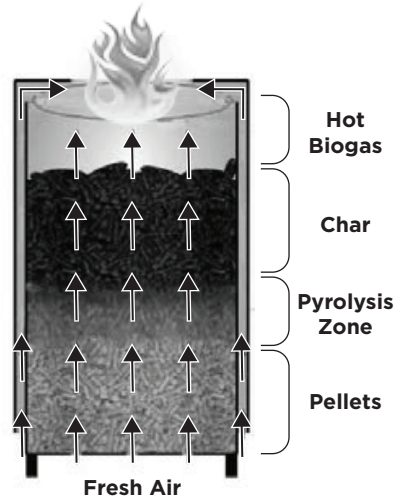
For lifting and moving the heater, please use appropriate equipment able to sustain its weight. Do not use a forklift to move the heater. Avoid positioning the heater on uneven or unlevel ground. Never move the heater during use. When moving the unit, remove the glass tube to prevent accidental damage.

## HOW IT WORKS

The heater works through pyrolysis, a natural chemical process that generates biogas. Not the pellets themselves but the biogas generated creates the flame. The process diminishes the more the combustion of pellets exhausts itself. The remaining residue is called char.

The temperature within the hopper cannot be controlled nor blocked as the natural process of combustion takes place.

The pellets burn from the top down, therefore pellets should never be added to the heater until the prior load has burned down completely. Discharge the hopper of char afterwards and only then refill with more pellets.



## INITIAL OPERATION

Use the directions for NORMAL OPERATION on the next page taking note of the following:

- Load the hopper with only 3-4kg of pellets.
- It is normal for the heater to emit white smoke and odours upon the first few firings. This will subside with subsequent firings.
- Completely clean and empty the heater according to following instructions before the next firing.

**FUEL THIS APPLIANCE WITH WOOD HEATING PELLETS ONLY**



## NORMAL OPERATION

### Loading and Firing:

1. Open the front door of the base and pull out the hopper.
2. Load with quantity of pellets for desired approximate duration:

<u>PELLET QUANTITY</u>	<u>3kg</u>	<u>4kg</u>	<u>5kg</u>	<u>6kg</u>	<u>7kg</u>	<u>9kg</u>
<u>FLAME DURATION</u>	<u>1.5hr</u>	<u>2hr</u>	<u>2.5hr</u>	<u>3.5hr</u>	<u>4.5hr</u>	<u>6hr</u>

3. Ignite the pellets using a natural fire starter block or fire starting gel (both are available at most hardware stores in the BBQ or fireplace sections). Do not use any other form of accelerants, such as gasoline or lighter fluid, as these can lead to poor performance, unpredictable or dangerous lighting, or damage to the heater.
4. Make sure the pellets are fully lit before pushing the hopper back into the base.
5. Lock the door, remove the key and store it in a safe place.

After about 10 minutes the flame will start to come out of the glass tube. After the flame diminishes, the heater will emit heat for at least two hours depending on the quantity of pellets used. Do not open the door during combustion. It is recommended to allow the heater to operate until the pellets are completely burned.

The suggested pellet quantity is nominal. Keep in mind that a heater filled with a small quantity of pellets produces a higher flame (because there is more air inside the burner) with shorter duration. If the heater is filled with a large quantity of pellets, the duration will be longer but the flame will be lower (because there is less air inside the burner).

### Discharge at end of combustion:

Empty out the ash drawer only when combustion is complete. Dispose of the char according to governing laws and regulations.

1. When pellets have completely burned down and the unit is cool to the touch, open the front door of the base.
2. Wearing appropriate heat resistant gloves, remove the bottom plate from under the hopper in order to discharge the char into the ash drawer beneath.
4. Clean the inside of the hopper, using the poker if necessary, removing any residual pellets even if still burning.
5. Clean edges around the door to ensure it closes properly and then close the door.
6. Return the ash drawer and bottom plate to their places.

## CLEANING AND MAINTENANCE

Use cleaning products recommended for glass and a soft cloth to clean the heater. Do not use abrasive, caustic, or corrosive products.

After every use, remove any residual pellets and char inside the burner to avoid issues with the next firing.

To ensure proper operation, lubricate the hopper's sliding guides with oil or silicon-based lubricant spray after every second or third use of the heater.

### Glass tube cleaning:

1. Ensure that the fire is completely out and the unit and glass tube are cold.
2. Open the viewing column door.
3. Lift the glass tube upwards from the base, tilt it out, and remove from top frame.
4. Spray inside with an appropriate cleaning product.
5. Use the supplied cleaning wand to carefully clean the inside of the glass tube. Wrap the end of the wand in a soft cloth and use mild soap and water for best results.
7. Clean the exterior of the glass tube as well.
8. Re-insert the glass tube (see assembly directions).
9. Close the viewing tower door.

The products of combustion may form a crust on the tube making it difficult to clean. It is advisable to clean the glass tube every one or two uses.

### Exterior cleaning:

Clean the exterior with a soft cloth, water, and mild soap.

## SPECIFICATIONS

Dimensions (LxWxH):	500 x 500 x 1960mm (19.7" x 19.7" x 77.2")
Weight:	55kg (121.3lbs)
Operating Temperature:	0 - 30°C (32 - 86°F)
Relative Humidity:	10 - 90%
Load capacity per firing:	3kg (6.6lbs) min. / 9kg (20lbs)max.
CO emissions:	48.3mg/m <sup>3</sup>
NOx emissions:	171.0mg/m <sup>3</sup>
Water vapour content:	2.6% by volume
Oxygen content:	16.0% by volume
Carbon dioxide content:	4.7% by volume
CO <sup>2</sup> concentration:	0.45kg/m <sup>3</sup>

# TROUBLESHOOTING

<b>CONDITION</b>	<b>POSSIBLE CAUSE</b>	<b>SOLUTION</b>
	Pyrolysis has not started correctly.	Check that fire starter has not extinguished. If so, add more, re-ignite, and ensure that combustion is well underway before closing the hopper.
Heater does not light.	Wet or damp pellets.	Change the wood pellets. Open bags of pellets can sometimes become too damp for proper combustion. Allow pellets to dry well before reuse.
	Improper use, assembly, or installation.	Read this manual and correct any deficiencies in assembly, installation, and use.
Flame does not appear.	Hopper cover is missing.	Place the cover on top of the hopper correctly.
	Unsuitable fire starters.	Use solid block or gel fire starters only.
Excessive smoke during ignition.	Wet or damp pellets. Hopper is closed before fire is fully established.	Replace pellets. Before closing the hopper, allow time for pellets to ignite and fire to be fully established.
Flame is too intense.	Insufficient quantity of pellets.	Once pyrolysis is underway you won't be able to interrupt combustion. Stay attentive to temperature rise. Use no less than minimum quantity of pellets on next use.
Cannot extract hopper.	Hopper slides not lubricated.	Lubricate hopper slides every second or third use.
	Obstruction by char or other foreign bodies.	Clean base to remove obstructions.

## WARRANTY

This unit is warranted for a period of 90 days from the date of purchase against manufacturer defects. Proof of purchase required. This warranty is applicable to the original purchaser and cannot be transferred.

Repair or replacement of defective parts is at the discretion of the manufacturer/distributor. In the event that a repair is not possible and the unit is within the warranty period, the unit or part will be replaced at the discretion of the manufacturer/distributor. This warranty is a parts only warranty, any labour costs incurred are the responsibility of the purchaser. Parts shipped out while the unit is under warranty shall be shipped pre-paid by the distributor.

If this unit was purchased from a retailer/dealer, that dealer's return policy will be in effect.

Exclusions from the warranty provisions include but are not limited to: normal wear from use, user negligence, misuse, failure to follow instructions for use and care, and repair by unauthorized parties. The manufacturer/distributor is not liable for incidental or consequential damages incurred by such actions.

For warranty assistance or information on the purchase of replacement parts, please contact:  
**Georgian Bay Leisure Distributors Ltd.**

For the latest update to this manual, please visit  
**[georgianbayleisure.com](http://georgianbayleisure.com)**



**Georgian Bay**  
L E I S U R E

Imported and distributed by  
**Georgian Bay Leisure Distributors Ltd.**

[georgianbayleisure.com](http://georgianbayleisure.com)